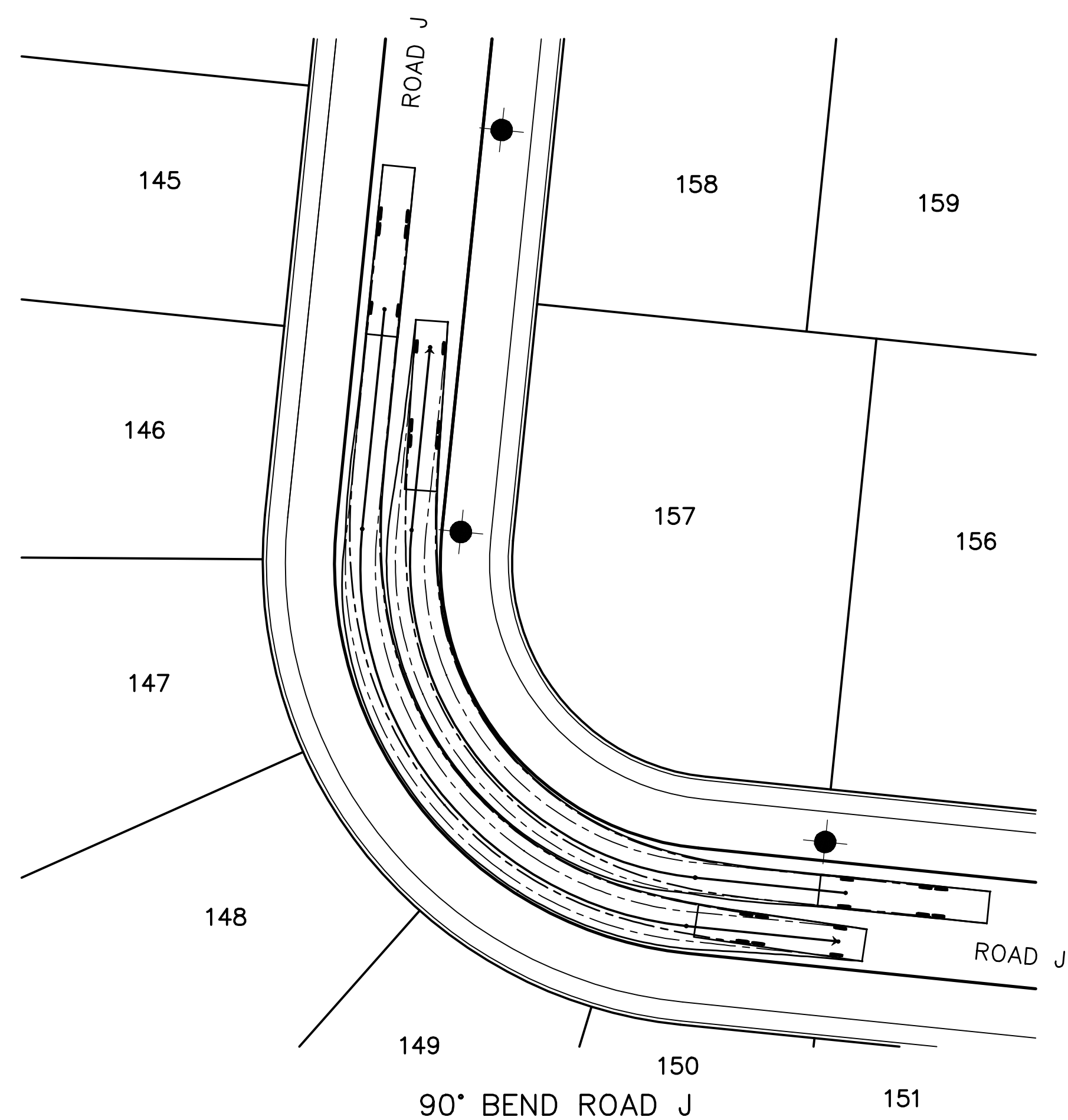
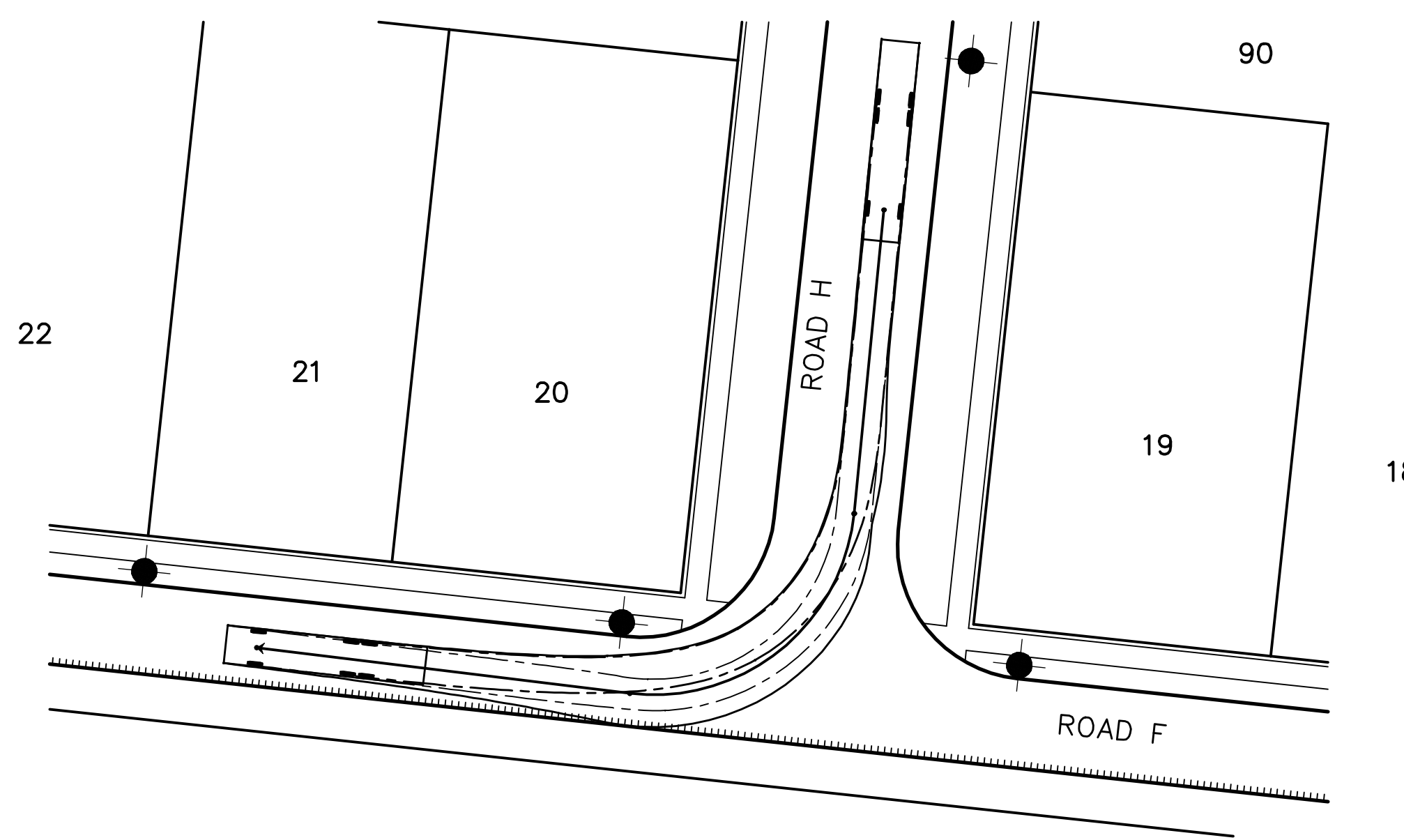


AUTOTURN EXHIBIT

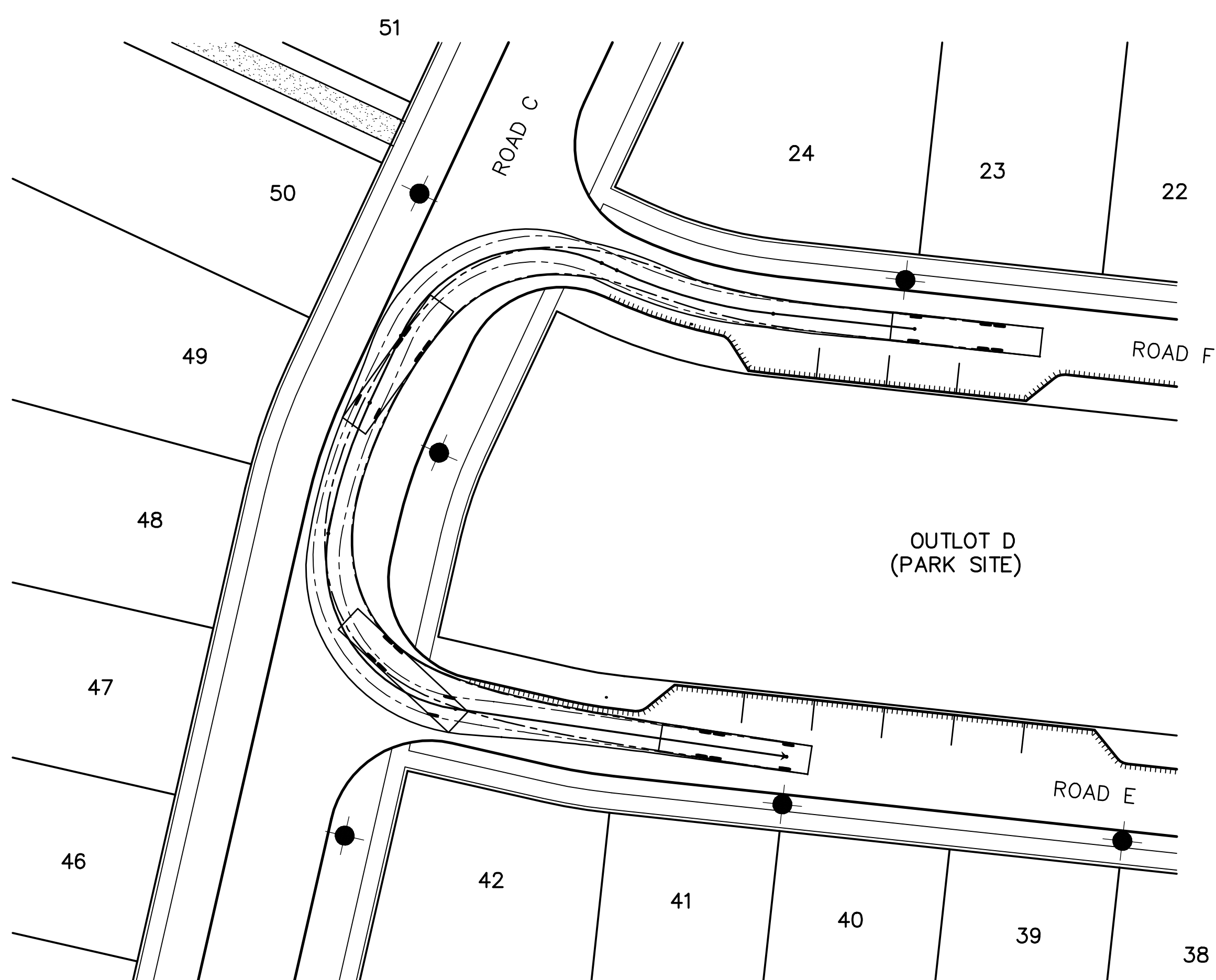
FOR
NAPER COMMONS



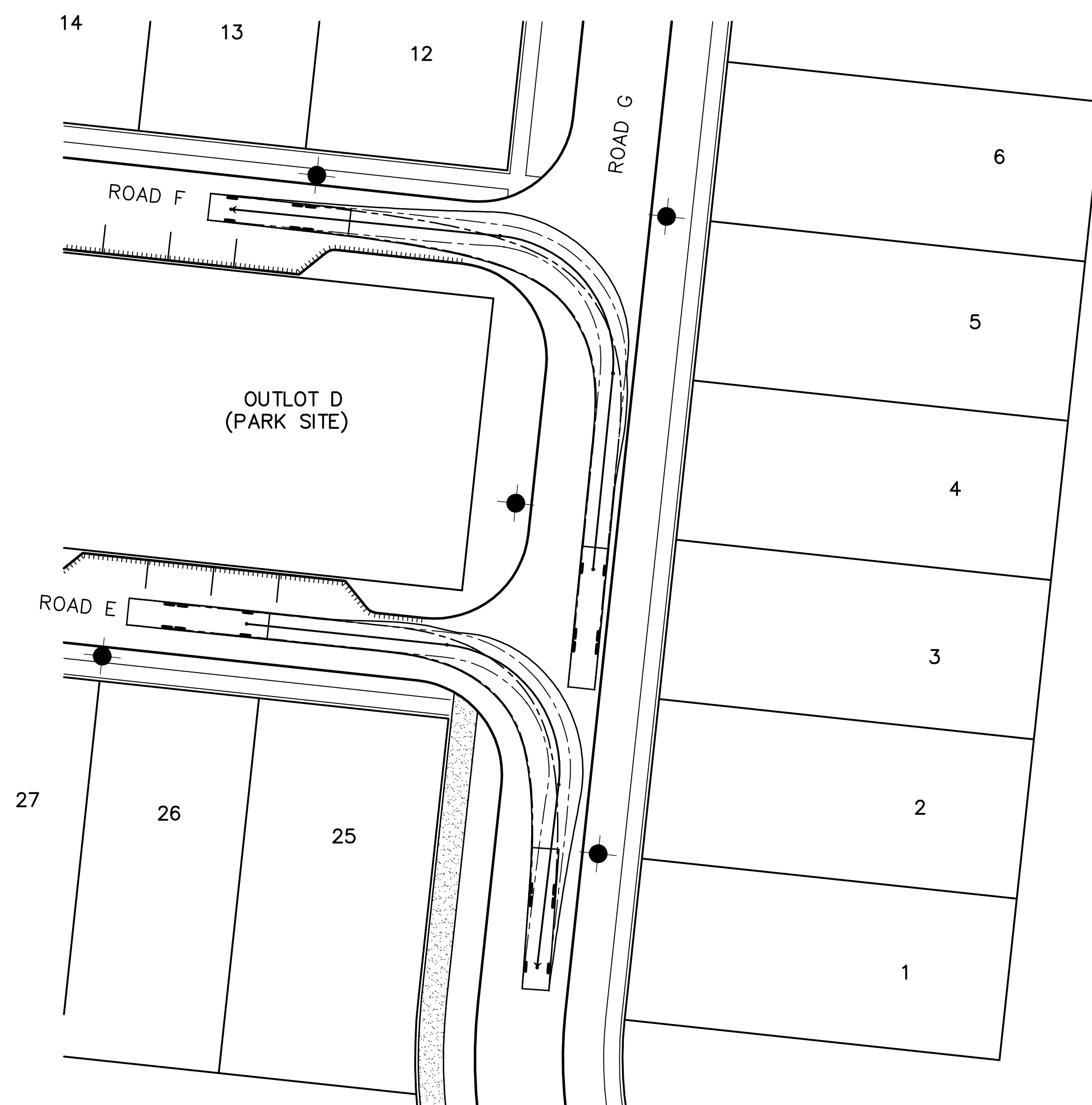
90° BEND ROAD J



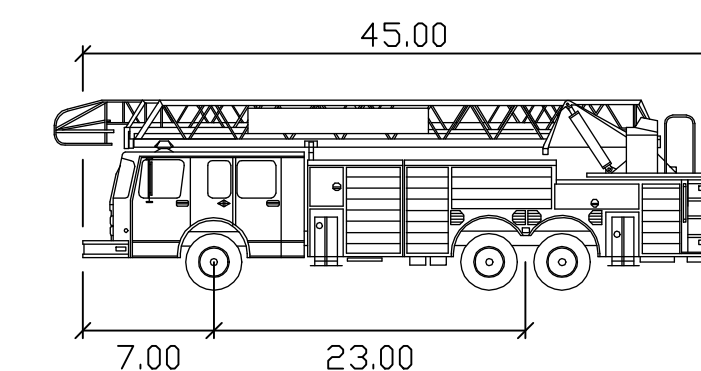
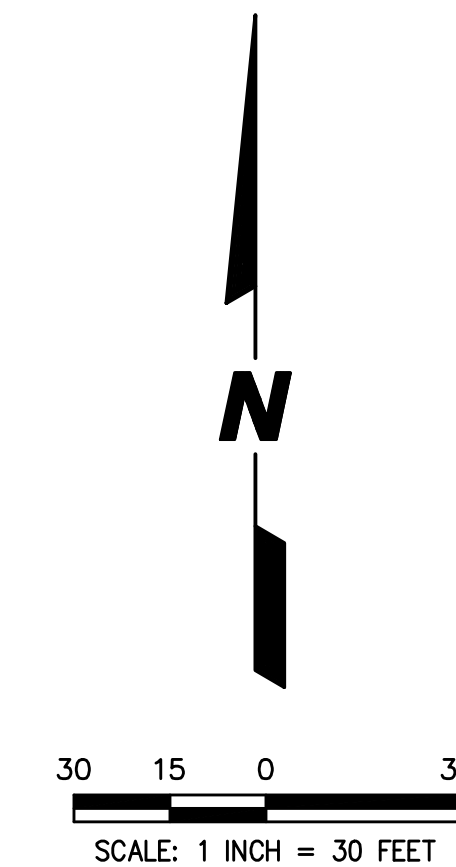
INTERSECTION OF ROAD H & ROAD F



INTERSECTION OF ROAD C WITH ROAD E & ROAD F



INTERSECTION OF ROAD G WITH ROAD E & ROAD F



NAPER		feet
Width	:	8.50
Track	:	8.00
Lock to Lock Time	:	6.00
Steering Angle	:	35.00



PREPARED BY:
CEMCON, Ltd.

Consulting Engineers, Land Surveyors & Planners
2280 White Oak Circle, Suite 100
Aurora, Illinois 60502-9675
PH: 630.862.2100 FAX: 630.862.2199
E-Mail: cadd@cemcon.com Website: www.cemcon.com

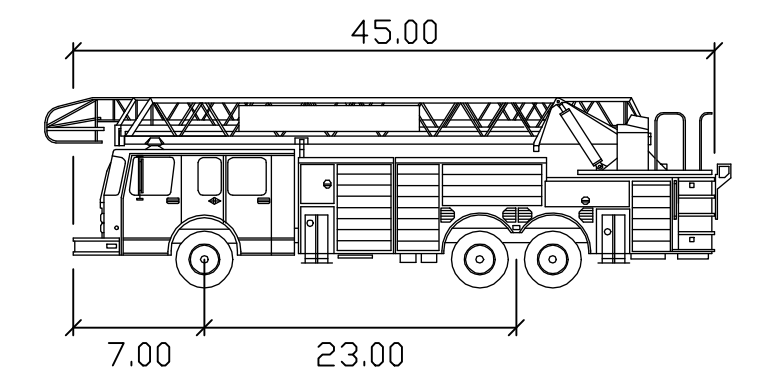
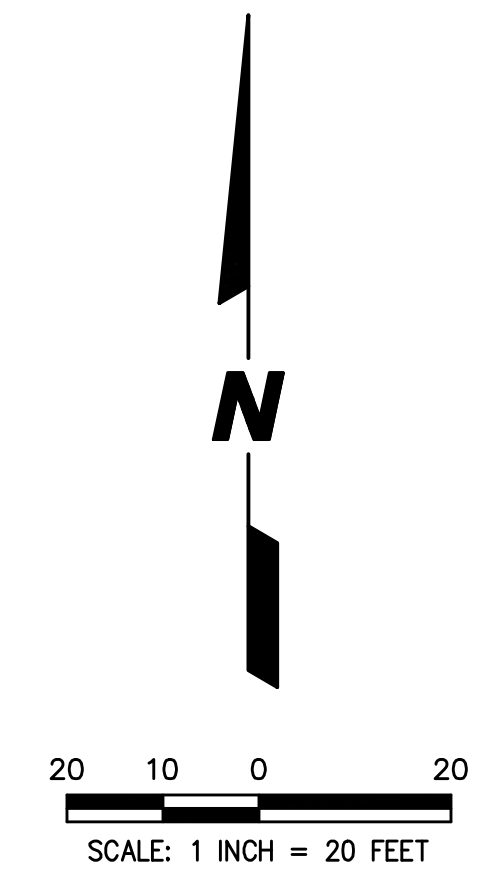
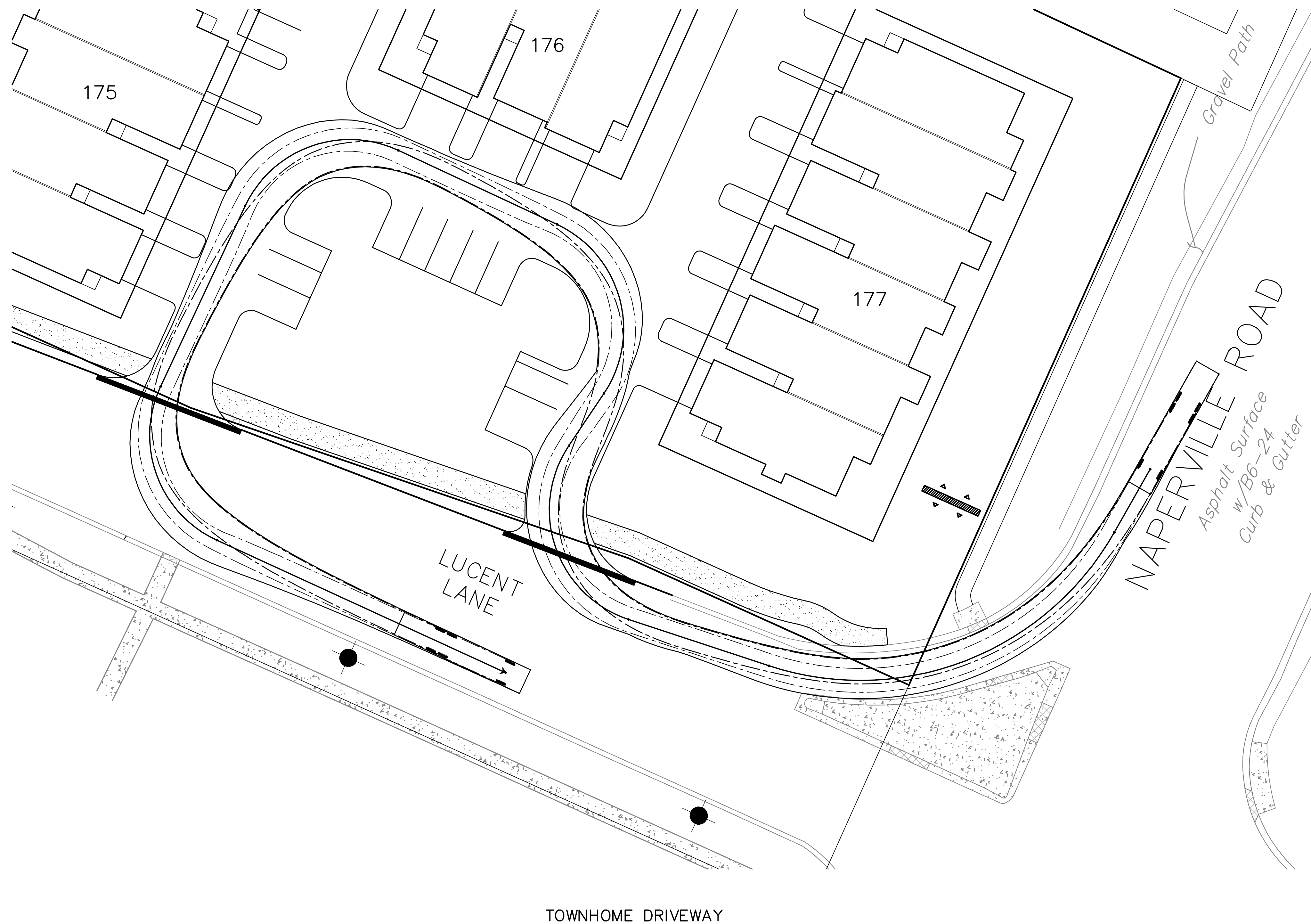
DISC NO.: 402138 FILE NAME: AUTOTURN
DRAWN BY: LAL FLD. BK. / PG. NO.: ----
COMPLETION DATE: 09-14-20 JOB NO.: 402.138
10-16-20/LAL: REVISED PER 2020-10-05 CITY COMMENTS
01-20-21/LAL: REVISED PER PLAN COMMISSION MEETING 12/16
02-19-21/LAL: REVISED PER PLAN COMMISSION MEETING 2/6

AUTOTURN EXHIBIT FOR NAPER COMMONS
CITY OF NAPERVILLE PROJECT NO. 20-10000086
SHEET 1 OF 2

Copyright © 2020 Cemcon, Ltd. All rights reserved.

AUTOTURN EXHIBIT

FOR
NAPER COMMONS



NAPER		feet
Width	:	8.50
Track	:	8.00
Lock to Lock Time	:	6.00
Steering Angle	:	35.00

PREPARED BY:
CEMCON, Ltd.
Civil Engineering & Planning
2280 White Oak Circle, Suite 100
Aurora, Illinois 60502-9675
PH: 630.862.2100 FAX: 630.862.2199
E-Mail: cadd@cemcon.com Website: www.cemcon.com

DISC NO.: 402138 FILE NAME: AUTOTURN
DRAWN BY: LAL FLD. BK. / PG. NO.: ----
COMPLETION DATE: 09-14-20 JOB NO.: 402.138
10-16-20/LAL: REVISED PER 2020-10-05 CITY COMMENTS
01-20-21/LAL: REVISED PER PLAN COMMISSION MEETING 12/16
02-19-21/LAL: REVISED PER PLAN COMMISSION MEETING 2/6

AUTOTURN EXHIBIT FOR NAPER COMMONS
CITY OF NAPERVILLE PROJECT NO. 20-1000086
SHEET 2 OF 2

DRAWING PATH: P:\402138\WORK\ANS\DRAWINGS\EXHIBITS\AUTOTURN\AUTOTURN.DWG
PLOT FILE CREATED: 2/23/2021 BY: LESLIE LUNDERS