

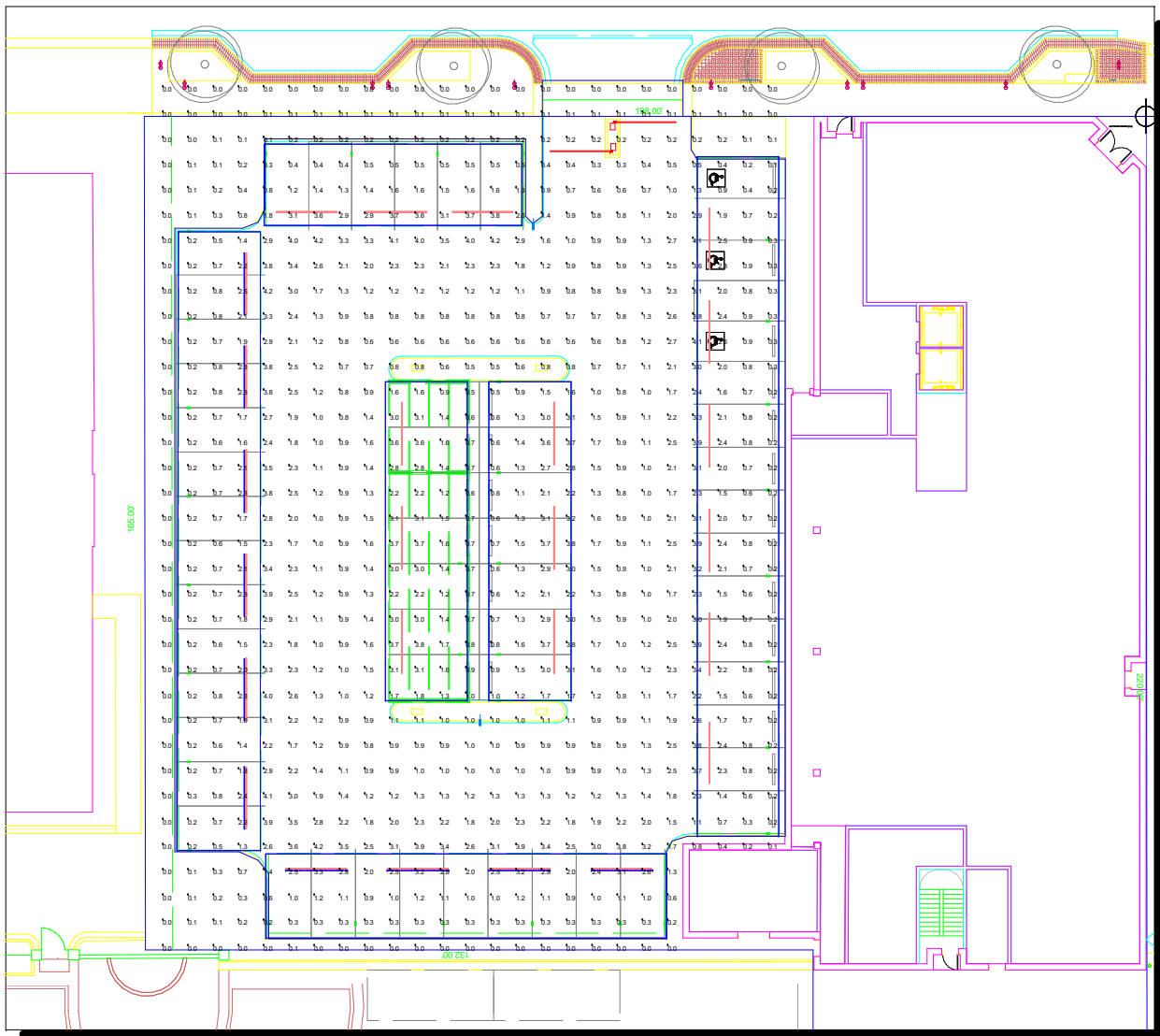
Luminaire Schedule						
Symbol	Qty	Label	Arrangement	Lumens	LLF	Description
	300	L50-I-12-02-35-80-MULT-4	SINGLE	N.A.	0.800	L50-I-12-02-35-80-MULT-40x40
	2	CEMC01LEDEUT3A	SINGLE	N.A.	0.800	CEMC01LEDEUT3A

Numeric Summary					
Label	CalcType	Avg	Max	Min	Max/Min
PARKING	Illuminance	1.54	3.7	0.2	18.50
SITE	Illuminance	1.29	4.2	0.0	N.A.

We certify that the exterior lighting depicted on this plan complies with the requirements of Chapter 14 of the Municipal Code of Naperville, Illinois.

Preparer: *Gairine Everly*

Owner:



#	Date	Comments

Drawn By: BOSM
 Checked By:
 Date: 3/12/2020
 Scale:

3 S MAIN

DATE	PROJECT	FIRM	TYPE
------	---------	------	------

THE L50 INCLUDES PATENTED OPTICAL DESIGN THAT DELIVERS THE WIDEST RANGE OF BEAM ANGLE OPTIONS FOR PRECISE COVE, WALL GRAZING, WALL WASHING OR LINE OF LIGHT APPLICATIONS. EXCLUSIVE FLIP TO FLAT™ HINGE DESIGN PROVIDES FLEXIBILITY WHEN MANAGING SMALL COVE DETAILS. TROV OFFERS SMOOTH, FLICKER FREE DIMMING DOWN TO 0%.

FEATURES :

- DIM TO 0%, ELV REVERSE PHASE
- 24 BEAM ANGLES
- MULTI-VOLT
- FLIP TO FLAT™
- 6 CCT OPTIONS
- 80+ AND 90+ CRI OPTIONS
- IP66 EXTERIOR OPTIONS



MODEL/ SIZE	INTERIOR/ EXTERIOR	LENGTH	POWER	CCT	CRI	VOLTAGE	OPTICS
L50	E	12" 48"	02 04 06 08 10 12	WHITE CCT 22 27 30 35 40 50	MONO COLOR GR**** BL AM RD***	80 90* Blank For Color	MULT (120-277V) GRAZING 9 x 9 9 x 17 9 x 29 9 x 59 15 x 15 15 x 23 15 x 35 15 x 65 COVE 120** Asym LINE OF LIGHT LOL WASHING 25 x 25 25 x 33 25 x 45 25 x 75 39 x 9 55 x 25 40 x 40 40 x 48 40 x 60 40 x 90 45 x 15 70 x 40 70 x 70

EXAMPLE: L50-E-48-10-27-90-MULT-15x65 *90 CRI not available in 2200K or 5000K **120 is only available with Exterior option. See L35 spec sheet for interior cove options. ***Red is not available in 12W or 10W. ****Green is not available in 12W.

PERFORMANCE	WATTS	OPTIC	LUMEN OUTPUT	EFFICACY
	2W	120°	95 lm/LF (311 lm/m)	48 lm/W
	4W	120°	273 lm/LF (895 lm/m)	68 lm/W
	6W	120°	426 lm/LF (1397 lm/m)	71 lm/W
	8W	120°	586 lm/LF (1922 lm/m)	73 lm/W
	10W	120°	697 lm/LF (2286 lm/m)	70 lm/W
	12W	120°	807 lm/LF (2647 lm/m)	67 lm/W

ALL LUMEN DATA IS FROM 4000K 80CRI FIXTURES. PLEASE SEE PHOTOMETRY SPEC SHEET FOR ADDITIONAL LUMEN DATA.

COLOR RENDERING INDEX	80+, 90+			
COLOR CONSISTENCY	2-STEP MACADAM ELLIPSE			
LUMEN DEPRECIATION / RATED LIFE	WATTS	L70 @ 25C	L70 @ 50C	L90 @ 25C L90 @ 50C
	2W-12W	>150,000	>70,000	>50,000 >25,000

* CALCULATIONS FOR LED FIXTURES ARE BASED ON MEASUREMENTS THAT COMPLY WITH IES LM-80 TESTING PROCEDURES AND IES TM-21 CALCULATOR

ELECTRICAL	POWER CONSUMPTION	2W*/LF (6.6W/M); 4W/LF (13.2W/M); 6W/LF (19.8W/M); 8W/LF (26.4W/M); 10W/LF (33W/M); 12W/FL (39.6W/M) * 3W/LF (9.9W/M) at 220V -277V												
		MAX FIXTURE RUN LENGTH	2W/LF		4W/LF		6W/LF		8W/LF		10W/LF		12W/LF	
	Volts		Max Run all 1'	Max Run all 4'	Max Run all 1'	Max Run all 4'	Max Run all 1'	Max Run all 4'	Max Run all 1'	Max Run all 4'	Max Run all 1'	Max Run all 4'	Max Run all 1'	Max Run all 4'
		120	214	214	186	186	152	152	114	114	91	91	76	76
		220	374	392	340	340	277	277	209	209	95	167	95	139
		277	374	494	374	428	349	349	263	263	95	190	95	175
	POWER FACTOR	4W, 6W, 8W, 10W, 12W >0.9, 2W<0.9												
	OPERATING VOLTAGE DRIVER	MULTIVOLT: 110-277VAC, 50/60 Hz												
	STARTUP TEMPERATURE	INTEGRAL TO FIXTURE; DE-RATED POWER AND SYNCHRONOUS START-UP AT FULL BRIGHTNESS												
	OPERATING TEMPERATURE	-40°F TO 122°F (-40°C TO 50°C)												
	STORAGE TEMPERATURE	-40°F TO 176°F (-40°C TO 80°C)												






ECOSENSE LIGHTING INC.
837 NORTH SPRING STREET
SUITE 103
LOS ANGELES, CA 90012

P • 310.496.6255
F • 310.496.6256
T • 855.632.6736
855.6.ECOSEN

SPECIFICATIONS SUBJECT TO CHANGE WITHOUT NOTICE. VISIT ECOSENSELIGHTING.COM FOR THE MOST CURRENT SPECIFICATIONS. FOR A LIST OF PATENTS VISIT ECOSENSELIGHTING.COM/IP-PORTFOLIO/
©2019 ECOSENSE LIGHTING INC. ALL RIGHTS RESERVED. **ECOSENSE**, THE **ECOSENSE LOGO**, **TRÖV**, **TROV** AND **ECOSPEC** ARE REGISTERED TRADEMARKS OF ECOSENSE LIGHTING INC.
RISE™, **SLIM COVE™**, **FREEDOM TO CREATE™**, **MACRO™**, **FLIP-TO-FLAT™** ARE TRADEMARKS OF ECOSENSE LIGHTING INC.

ECOSENSELIGHTING.COM

1/3

DATE	PROJECT	FIRM	TYPE
CONTROL	DIMMING	110-277VAC, ELV TYPE 0.07%-100%, REVERSE PHASE, TRAILING EDGE ETC control systems require 0-10V control using EcoSense LDCM. TROV will not work with ETC phase dimmers.	
PHYSICAL	DIMENSIONS HOUSING /LENS WEIGHT CONNECTORS ENVIRONMENT BEAM ANGLE MOUNTING OPTIONS	W 1.6" x H 2" x L 12"/48" ; (41.6mm x 50.5mm x 304.7mm/1201mm) EXTRUDED ALUMINUM; UV STABILIZED POLYCARBONATE; STAINLESS STEEL FASTENERS; PLASTIC ENDCAPS RUBBER OVERMOLD FOR CABLE ASSEMBLY 1.52LBS / 0.69KG (1FT) ; 4.95LBS / 2.25KG (4FT) INTEGRAL MALE/ FEMALE CONNECTORS INDOOR • ETL CERTIFIED FOR DRY/DAMP LOCATIONS IP54 OUTDOOR • ETL CERTIFIED FOR WET LOCATIONS IP66 IMPACT RATED TO IK10 Not intended to be used in water features such as waterfalls, fountains, etc. GRAZING, WASHING, COVE, ASYMMETRIC, LINE OF LIGHT INTEGRAL MOUNTING AND ADJUSTABLE AIMING FROM 0°-180° IN 15° INCREMENTS	
FIXTURE RATING & CERTIFICATIONS	CE, ETL CERTIFIED RoHS COMPLIANT ENERGY STAR COMPLIANT RCM CERTIFIED	    	

LIMITED WARRANTY 5 YEARS

WIRING OPTIONS (MVOLT): 110-277VAC

- Power Cable Assembly, TROV, Leader/Jumper, 10 foot.....CBL-3P-L-UNV-10*
- Power Cable Assembly, TROV, Leader/Jumper, 50 foot.....CBL-3P-L-UNV-50*
- Power Cable Assembly, TROV, Jumper, 5 foot.....CBL-3P-L-UNV-05**
- Power Cable Assembly, TROV, Jumper, 1 footCBL-3P-L-UNV-01**
- Power Cable Assembly, TROV, Adjustable Jumper, 0" to 7"CBL-3P-L-UNV-ADJ
- Power Cable Assembly, TROV, Male and Female terminator caps.....CBL-3P-L-UNV-CAPS

*Two (2) terminators are included with the 10' and 50' power cable. One Leader need per circuit/fixture run. Cables are not plenum rated.
** If using the 5' or 1' power cable assembly as a leader to power a run one set of CBL-3P-L-UNV-CAPS will also be need per cable.

0-10V CONTROL OPTIONS

100-120VAC / 277VAC Linear Dimming Control Module 0-10V - Plenum Rated LDCM-PL-120-277-010V-GR
All products come standard with ELV dimming capabilities. 0-10V Control options required for operation at 0-10V.

OPTIONAL ACCESSORIES

Mounting

- Mounting Track and Clips Set, 48 Inch Track, 8 Clips..... MNT-L-TRKCLIP-48 48" track and clips set will work with one 48" fixture or four 12" fixtures.
- Mounting Track and Clips Set, 12 Inch Track, 2 Clips..... MNT-L-TRKCLIP-12 12" track will not work with 48" fixtures.
- Mounting Track Clip, TROV, Set of 2..... MNT-L-CLIP Clips needed = 12" fixtures need 1 set of 2 and 48" fixture needs 2 sets of 2.
- 90 Degree L bracket, TROV, Set of 2..... MNT-L-LBKT L-Brackets needed = 12" fixtures need 1 set of 2 and 48" fixture needs 1 set of 2.
- Angle Locking Clip, TROV, Pack of 10..... MNT-L-ANGLOCK Angle Locks needed = 12" fixtures need 1 and 48" fixtures need 2.
(Must order separately)
- Mounting, Fine Adjustment Bracket, TROV MNT-L-FAB Fine Adjustment Brackets needed = 12" fixtures need 1 and 48" fixtures need 2.
*Fine Adjustment Bracket is highly recommended for Grazing Optics.
- Mounting, Fine Adjustment L-Bracket, TROV MNT-L-LFAB Fine Adjustment L-Brackets needed = 12" fixtures need 1 and 48" fixtures need 2.
*Fine Adjustment L-Bracket is recommended for Asymetric Optics when aiming is needed.

Snap-on Lenses

- Snap-on Lens, Frosted, 12 inch, L50 LENS-L50-FROST-12
 - Snap-on Lens, Frosted, 48 inch, L50 LENS-L50-FROST-48
 - Snap-on Lens, Clear, 12 inch, L50 LENS-L50-CLEAR-12
 - Snap-on Lens, Clear, 48 inch, L50 LENS-L50-CLEAR-48
- Snap-on Lenses need = One 12" lens is needed per 12" fixture and one 48" lens is needed per 48" fixture. Snap on Lenses will not work with the asymmetric fixture. Clear lenses can be used to hold colored filters to customize the output color of any TROV fixture, except the ASYM. Color filters supplied by others.

Wall Mount Arm

- Wall Mount Arm, 6 inch, TROV WMA-L-CA-06
 - Wall Mount Arm, 12 inch, TROV WMA-L-CA-12
 - Wall Mount Arm, 18 inch, TROV WMA-L-CA-18
 - Wall Mount Arm, 24 inch, TROV WMA-L-CA-24
 - Wall Mount Arm End Plate Set, TROV, Includes Left and Right..... WMA-L-END
 - Wall Mount Arm Joiner Plate, TROV WMA-L-JNR
- Wall Mount Arms needed = For individual fixture installations two arms and one end set will be needed per fixture. For continuous run installation one endset will be needed per run. Each end set contains one left and one right end plate. One joining set will be needed per joint. One arm per fixture will be need plus one extra arm to complete the run. For example: A 10ft run made with two 4ft and two 1ft fixtures will contain; 1 x WMA-L-END, 3 x WMA-L-JNR, and 5 x WMA-L-CA-12. Leader cables are not included with wall mount arms, end sets, or joiners sets.

Louvers

- Louver, Asymmetric, 12 inch, L50 LV-L50-ASYM-12
 - Louver, Asymmetric, 48 inch, L50 LV-L50-ASYM-48
 - Louver, Symmetric, 12 inch, L50 LV-L50-SYM-12
 - Louver, Symmetric, 48 inch, L50 LV-L50-SYM-48
 - Louver, Honeycomb, 12 inch, L50 LV-L50-HCOMB-12
 - Louver, Honeycomb, 48 inch, L50 LV-L50-HCOMB-48
- Louvers Needed = One 12" louver is needed per 12" fixture and one 48" louver is needed per 48" fixture. 48" louver is made up of four 12" louvers.
Louvers cannot be used with the asymmetric fixture

ECOSENSE LIGHTING INC.
837 NORTH SPRING STREET
SUITE 103
LOS ANGELES, CA 90012

P • 310.496.6255
F • 310.496.6256
T • 855.632.6736
855.6.ECOSEN

SPECIFICATIONS SUBJECT TO CHANGE WITHOUT NOTICE.
VISIT ECOSENSELIGHTING.COM FOR THE MOST CURRENT SPECIFICATIONS.
FOR A LIST OF PATENTS VISIT ECOSENSELIGHTING.COM/IP-PORTFOLIO/
©2019 ECOSENSE LIGHTING INC. ALL RIGHTS RESERVED. ECOSENSE, THE ECOSENSE LOGO, TROV, TROV AND ECOSPEC ARE REGISTERED TRADEMARKS OF ECOSENSE LIGHTING INC.
RISE™, SLIM COVE™, FREEDOM TO CREATE™, MACRO™, FLIP-TO-FLAT™ ARE TRADEMARKS OF ECOSENSE LIGHTING INC.

ECOSENSELIGHTING.COM

2/3

DESCRIPTION

The EPIC Collection delivers custom luminaire flexibility with high quality, yet availability expectations of standard specification grade product. The EPIC Collection can be dressed to suit any application. Recognizing evolving environmental and legislative trends, EPIC Collection delivers world class LED optical and performance solutions to the decorative luminaire marketplace.

Catalog #		Type
Project		
Comments		Date
Prepared by		

SPECIFICATION FEATURES

Construction

TOP: Cast aluminum classical top housing maintains a nominal 1/8" sidewall thickness. Top attaches to cast aluminum mounting arm hub with four (4) stainless steel fasteners. One (1) piece silicone gasket between mounting hub and top casting seals out moisture and contaminants. **MIDSECTION:** Continuous silicone gaskets seal lens to top casting and shade. The mid-section options feature cast aluminum construction and stainless steel assembly hardware. **SHADES:** Heavy-gauge precision spun aluminum shades offer superior surface finish and consistency in form. **DOORFRAME:** Die-cast aluminum 1/8" thick door and doorframe seal to underside of shade with a thick wall continuous silicone gasket. Mounting hub ships attached to mounting arm.

Optics

DISTRIBUTION: Choice of thirteen (13) patented, high-efficiency AccuLED Optics™, that maximize light collection and

directional distribution onto the application region. Each optical lens is precision manufactured via injection-molding, then precisely arranged and sealed on the board media. **LEDs:** High output LEDs, 50,000+ hours life at >70% lumen maintenance, offered standard in 4000° K (+/- 275K) CCT and nominal 70 CRI.

Electrical

ELECTRICAL TRAY: Driver and related electrical componentry are mounted to one-piece tray. Quick disconnect wiring plugs allow for tray removal during routine maintenance. **DRIVER:** LED drivers are potted and heat sunk for optimal performance and prolonged life. Standard drivers feature electronic universal voltage (120-277V/50-60hz), greater than 0.9 power factor, less than 20% harmonic distortion and feature ambient temperature range of +40°C (104°F) down to minimum starting temperature of -30°C (-22°F). Shipped standard with Cooper Lighting proprietary circuit

module designed to withstand 10kV of transient line surge. All LED LightBARs™ and drivers are mounted to dedicated mounting trays and are easily replaced by use of quick disconnects for ease of wiring.

Finish

Housing is finished in 5 stage Super TGIC polyester powder coat paint, 2.5 mil nominal thickness for superior protection against fade and wear. Standard colors include black, bronze, grey, white, dark platinum and graphite metallic. RAL and custom color matches available. Consult Outdoor Architectural Colors brochure for a complete selection. LightBAR™ cover plates are standard white and may be specified to match finish of luminaire housing.

Warranty

CEM LED features a five-year limited warranty.



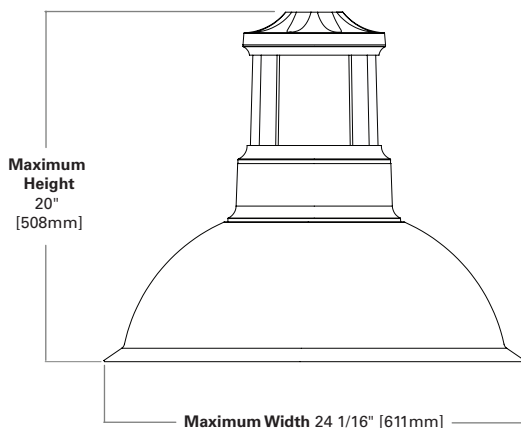
CEM CLASSICAL EPIC MEDIUM LED

1 - 4 LightBARs
Solid State LED

DECORATIVE AREA

DESIGNLIGHTS
CONSORTIUM

DIMENSIONS



NOTE: See configurations for more detailed information.

CERTIFICATION DATA

UL/cUL Listed
ISO 9001
IP66 LightBARs
ARRA Compliant
LM79 / LM80 Compliant
3.5G Vibration Tested

ENERGY DATA

Electronic LED Driver
>0.9 Power Factor
<20% Total Harmonic Distortion
120-277V/50 & 60hz, 347V/60hz,
480V/60hz
-30°C Minimum Temperature
40°C Ambient Temperature Rating

EPA

Effective Projected Area: (Sq. Ft.)
0.94

SHIPPING DATA

Approximate Net Weight:
45 lbs.

POWER AND LUMENS BY BAR COUNT

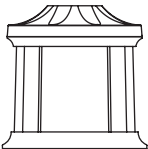
Number of LightBARs	DISTRIBUTION														
	Power [Watts]	Current @ 120V [A]	Current @ 277V [A]	T2A	T3A	T3S	T4S	SL2	SL3	SL4	5MQ	5WQ	5XQ	RWQ	SLR/SLL
7 LED LIGHTBAR															
C01	27	0.23	0.13	1,873	1,866	1,814	1,817	1,836	1,756	1,807	1,937	1,907	1,911	1,847	1,704
C02	54	0.46	0.21	3,716	3,701	3,600	3,605	3,642	3,485	3,585	3,843	3,783	3,792	3,665	3,380
C03	77	0.65	0.29	5,475	5,453	5,303	5,311	5,366	5,134	5,282	5,661	5,573	5,586	5,399	4,980
C04	101	0.86	0.37	7,282	7,253	7,054	7,064	7,137	6,829	7,026	7,530	7,413	7,430	7,181	6,624
21 LED LIGHTBAR															
B01	27	0.23	0.13	2,304	2,295	2,232	2,235	2,258	2,160	2,223	2,382	2,345	2,351	2,272	2,096
B02	51	0.43	0.20	4,571	4,553	4,428	4,434	4,480	4,286	4,410	4,726	4,653	4,664	4,508	4,158
B03	73	0.62	0.28	6,734	6,707	6,523	6,533	6,600	6,315	6,497	6,963	6,855	6,871	6,641	6,125
B04	95	0.81	0.35	8,957	8,921	8,676	8,689	8,779	8,399	8,642	9,262	9,118	9,139	8,833	8,148

LUMEN MULTIPLIER

Ambient Temperature	Lumen Multiplier
10°C	1.04
15°C	1.03
25°C	1.00
40°C	0.96


PRODUCT CONFIGURATION

HOUSING




Classical
8.6" H x 8.7" W


MID SECTION




Solid
3.4" H x 9.9" W



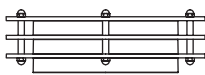
Window
3.4" H x 9.9" W



Louvered
3.4" H x 9.9" W

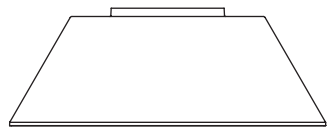


Slot
3.4" H x 9.9" W




Solid Rings
3.4" H x 12" W

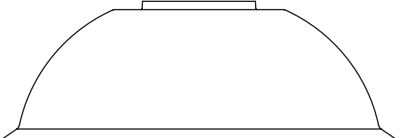
SHADE



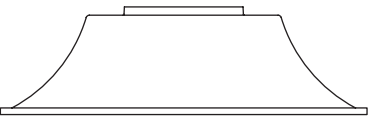
Straight Narrow
6.6" H x 19.1" W



Straight Wide
5.1" H x 23.9" W

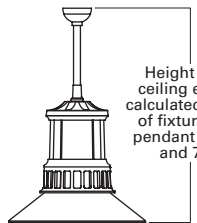


Bell
8" H x 24" W



Flute
6" H x 22.5" W

MOUNTING OPTION



Height from ceiling equals calculated height of fixture plus pendant length and 7/8"

ORDERING INFORMATION

Sample Number: CEMB04LEDUT2A4FLBK2L

--	--	--	--	--	--	--	--	--	--	--

Product Family ^{1, 2}

CEM=Classic Epic Medium

Number of Lightbars ^{3, 4}

B01= [1] 21 LED LightBAR
B02= [2] 21 LED LightBARs
B03= [3] 21 LED LightBARs
B04= [4] 21 LED LightBARs
C01= [1] 7 LED LightBAR
C02= [2] 7 LED LightBARs
C03= [3] 7 LED LightBARs
C04= [4] 7 LED LightBARs

Lamp Type

LED= Solid State Light Emitting Diodes

Ballast Type

E= Electronic

Voltage

U=Universal (120-277V)

8=480V

9=347V

Distribution

T2A= Type II

T3A= Type III

T3S= Type III Short

T4S= Type IV Short

RWQ= Rectangular Wide

5MQ= Type V Square Medium

5WQ= Type V Square Wide

5MR= Type V Round Medium

5WR= Type V Round Wide

5XQ= Type V Square Extra Wide

5XR= Type V Square Extra Wide

5XQ= Type V Square Extra Wide

5XR= Type V Square Extra Wide

5XQ= Type V Square Extra Wide

5XR= Type V Square Extra Wide

5XQ= Type V Square Extra Wide

5XR= Type V Square Extra Wide

5XQ= Type V Square Extra Wide

5XR= Type V Square Extra Wide

5XQ= Type V Square Extra Wide

5XR= Type V Square Extra Wide

5XQ= Type V Square Extra Wide

5XR= Type V Square Extra Wide

5XQ= Type V Square Extra Wide

5XR= Type V Square Extra Wide

5XQ= Type V Square Extra Wide

5XR= Type V Square Extra Wide

5XQ= Type V Square Extra Wide

5XR= Type V Square Extra Wide

5XQ= Type V Square Extra Wide

5XR= Type V Square Extra Wide

5XQ= Type V Square Extra Wide

5XR= Type V Square Extra Wide

5XQ= Type V Square Extra Wide

5XR= Type V Square Extra Wide

5XQ= Type V Square Extra Wide

5XR= Type V Square Extra Wide

5XQ= Type V Square Extra Wide

5XR= Type V Square Extra Wide

5XQ= Type V Square Extra Wide

5XR= Type V Square Extra Wide

5XQ= Type V Square Extra Wide

5XR= Type V Square Extra Wide

5XQ= Type V Square Extra Wide

5XR= Type V Square Extra Wide

5XQ= Type V Square Extra Wide

5XR= Type V Square Extra Wide

5XQ= Type V Square Extra Wide

5XR= Type V Square Extra Wide

5XQ= Type V Square Extra Wide

5XR= Type V Square Extra Wide

5XQ= Type V Square Extra Wide

5XR= Type V Square Extra Wide

5XQ= Type V Square Extra Wide

5XR= Type V Square Extra Wide

5XQ= Type V Square Extra Wide

5XR= Type V Square Extra Wide

5XQ= Type V Square Extra Wide

5XR= Type V Square Extra Wide

5XQ= Type V Square Extra Wide

5XR= Type V Square Extra Wide

5XQ= Type V Square Extra Wide

5XR= Type V Square Extra Wide

5XQ= Type V Square Extra Wide

5XR= Type V Square Extra Wide

5XQ= Type V Square Extra Wide

5XR= Type V Square Extra Wide

5XQ= Type V Square Extra Wide

Mid-Section Type

X=Solid Standard

1=Window

2=Louvered

3=Slot

4= Solid Rings

Shade Type

SN=Straight Narrow

SW=Straight Wide

BL= Bell

FL= Flute

Finish ⁵

BK= Black

AP= Grey

BZ= Bronze

WH= White

DP= Dark Platinum

GM= Graphite Metallic

GN= Hartford Green

Options ⁶2L= Two Circuits⁷

LCF= LightBAR Cover Plate Matches Housing Finish

7060= 70 CRI 6000K⁸8030= 80 CRI 3000K⁸PM48= Pendant Mount ⁹ 48" LengthMS-LXX= Motion Sensor for¹⁰ On/Off operationMS/X-LXX= Motion Sensor¹¹ for Bi-Level Switching

MS/DIM-LXX= Motion Sensor for Dimming Operation

Accessories ¹²

SA6158-XX= Traditional Single Pole Mount Arm

SA6159-XX= Traditional Single Pole Mount Arm with Rounded Upper Bar

SA6160-XX= Traditional Single Pole Mount Arm with¹⁶ Rounded Lower Bar

SA6161-XX= Traditional Single Pole Mount Arm with 45 Degree Upper Bar

SA6162-XX= Traditional Single Pole Mount Arm with 45¹⁶ Degree Lower Bar

SA6163-XX= Traditional Single Pole Mount Arm with 45 Degree Upper Straps

SA6165-XX= Traditional Twin Pole Mount Arm

SA6166-XX= Traditional Twin Pole Mount Arm with Rounded Upper Bars

SA6167-XX= Traditional Twin Pole Mount Arm with¹⁶ Rounded Lower Bars

SA6168-XX= Traditional Twin Pole Mount Arm w/45 Degree Upper Bars

SA6169-XX= Traditional Twin Pole Mount Arm with 45¹⁶ Degree Lower Bars

SA6170-XX= Traditional Twin Pole Mount Arm with 45 Degree Upper Straps

SA6171-XX= ECM Mast Arm Adapter

OA/RA1016= NEMA Photocontrol - Multi-Tap

Accessory Options ¹³V=Victorian Finial¹⁴M=Modern Finial¹⁴A=Architectural Finial¹⁴N=Nostalgic Finial¹⁴4=NEMA Twistlock Photocontrol Receptacle¹⁵**Notes:** 1 DesignLights™ Consortium Qualified. Refer to www.designlights.org Qualified Products List under Family Models for details.

2 Arm not included. Must be used with Streetworks brand arms. See Accessories.

3 21 LED LightBAR powered at 350mA, 7 LED LightBAR powered at 1A.

4 Standard 4000K CCT and nominal 70 CRI.

5 Cutsom and RAL color matching available upon request. Consult your Cooper Lighting Representative for further information.

6 Add as suffix in the order shown.

7 Low-level output varies by bar count. Requires quantity of two or more LightBARs. Consult factory.

8 Consult factory for lead times and lumen multiplier.

9 Minimum pendant length is 9.5". For lengths above 48", consult Streetworks Lighting Systems representative. Includes 3/4" pendant pipe in specified length, swivel hanger and canopy cover. Swivel under canopy uses 3/4" NPT thread; fixture head uses 3/4" NPSM; 3-3/4" long thread. "PM" option must be used with Streetworks Pendant Kit only.

10 Sensor housed in external box mounted to luminaire. Available in B02 - B04 and C02 - C04 configurations. Replace XX with mounting height in feet for proper lens selection. (i.e., MS-L20). Consult factory for additional information.

11 Motion sensor for bi-level switching. Sensor housed in external box mounted to luminaire. Available in B02 - B04 and C02 - C04 configurations. Replace X with the number of bars and XX with fixture mounting height in feet (i.e., MS/3-L20). Consult factory for additional information.

12 Order separately/replace XX with color suffix.

13 Add as suffix to accessory. Example: SA6158-BK-R.

14 Finials compatible with Traditional Arms only.

15 Not compatible with finials, wall mount bishop arms or pendant mounting.

16 Requires use of 4" O.D. round straight pole.