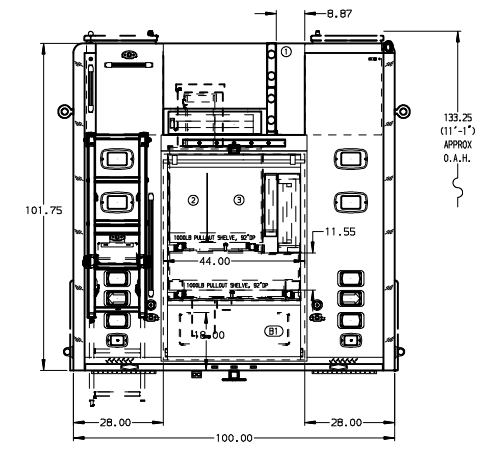
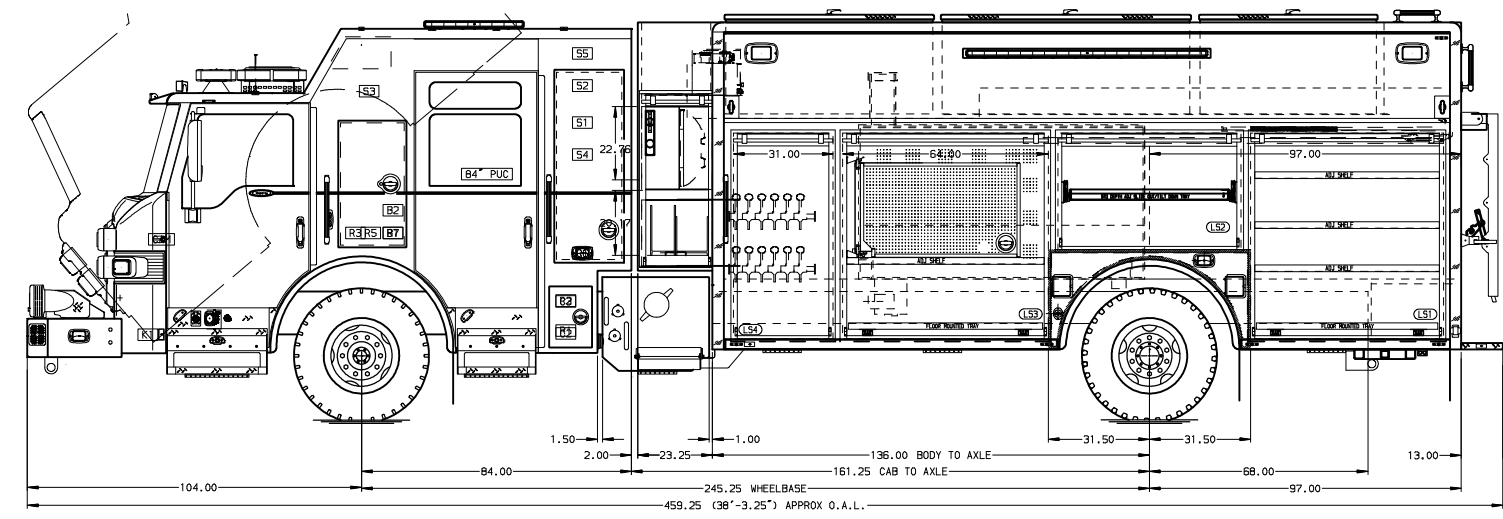


HOSEBED CAPACITY
 ① 600' OF 5.00" HOSE
 ② 375' OF 2.50" HOSE
 ③ 575' OF 2.50" HOSE



NOTE
 DIMENSIONS SHOWN ARE APPROXIMATE AND ARE SUBJECT TO MINOR DEVIATIONS AS MAY OCCUR OR BE NECESSARY IN CONSTRUCTION.
 MINOR DETAILS NOT SHOWN.

NOTES: 1. PIERCE 1500 GPM PUC STYLE WATER PUMP

(SIDE ROLL AND FRONTAL IMPACT PROTECTION)

CLEAR DOOR WIDTH KEY

UNDER ROLL UP DOORS:	2 1/4"
FRONTAL ROLL UP DOORS:	3 1/2"
HYDRA TOOL UP DOORS:	4 1/2"
PIERCE 11' X 12' UP DOORS:	4 1/2"

EX: 80" x 2 1/4" = 57 3/4" CLEAR (F-F) = FRAME TO FRAME

CUSTOMER APPROVAL

APPROVED BY: _____
 DATE: _____

REV	DATE	BY	CH
-	-	-	-

Pierce MANUFACTURING INC.

CHASSIS DATA
 MAKE PIERCE
 MODEL VVFR8420

TITLE HEAVY DUTY RESCUE
 RESCUE PUC W/500 GAL WATER TANK 30 GAL FOAM CELL
 FOR NAPERVILLE FIRE DEPARTMENT
 BID #1134 JOHN KENNA

DWG NO. 70429_JJF

JOB NO.	PRELIM
SCALE	1:24
DATE	
DRAWN BY	DHE
CHECKED BY	JJF
SHEET SIZE	D
SHEET NO.	1 OF 1