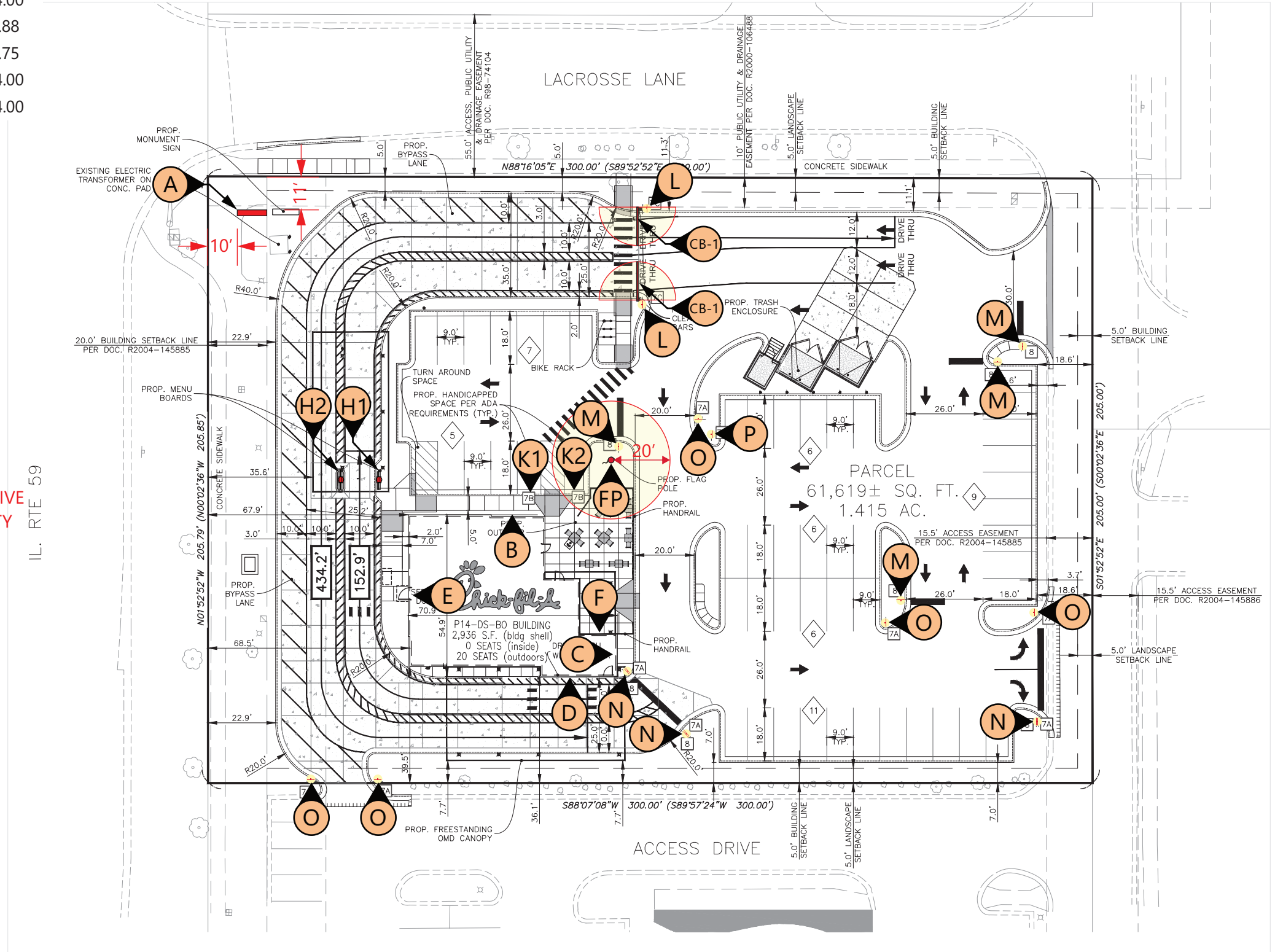


Item	Description	Qty	Sign Area	Allowed
A	Main ID Sign	1	90.00	90.00
B	Wall Sign - Script 5.0' (red)	1	58.75	184.00
C	Wall Sign - Icon 6.0'	1	36.00	68.88
D	Wall Sign - Script 5.0' (red)	1	58.75	71.75
E	Wall Sign - Script 5.0' (red)	1	58.75	184.00
F	HOTOCS Welcome Sign	1	13.44	184.00

Item	Description	Qty
K1	DOT - Handicapped Parking	1
K2	DOT - Handicapped Parking (Van)	1
L	DOT - Pedestrian Sign	2
M	DOT - Stop (30")	4
N	DOT - Stop / Do Not Enter	3
O	DOT - Do Not Enter	5
P	DOT - Left Only	1
H1-H2	Menu Board (Lane 1 and 2)	2
CB-2	Clearance Bar (double)	1
FP	Flag pole (50') High Wind	1

WHEN FRONTING A MAJOR ARTERIAL: TEN (10) FEET FROM THE FRONT PROPERTY LINE. WHEN FRONTING ALL OTHER ROAD CLASSIFICATIONS: FIVE (5) FEET FROM THE FRONT PROPERTY LINE. FROM AN INTERIOR PROPERTY LINE: FORTY (40) FEET



5198 North Lake Drive
 Lake City, GA 30260
 404.361.3800
 www.claytonsigns.com

SITE PLAN

DRAWING FILE - CFA - NAPERVILLE, IL (59 & LACROSSE) SIGNAGE.CDR

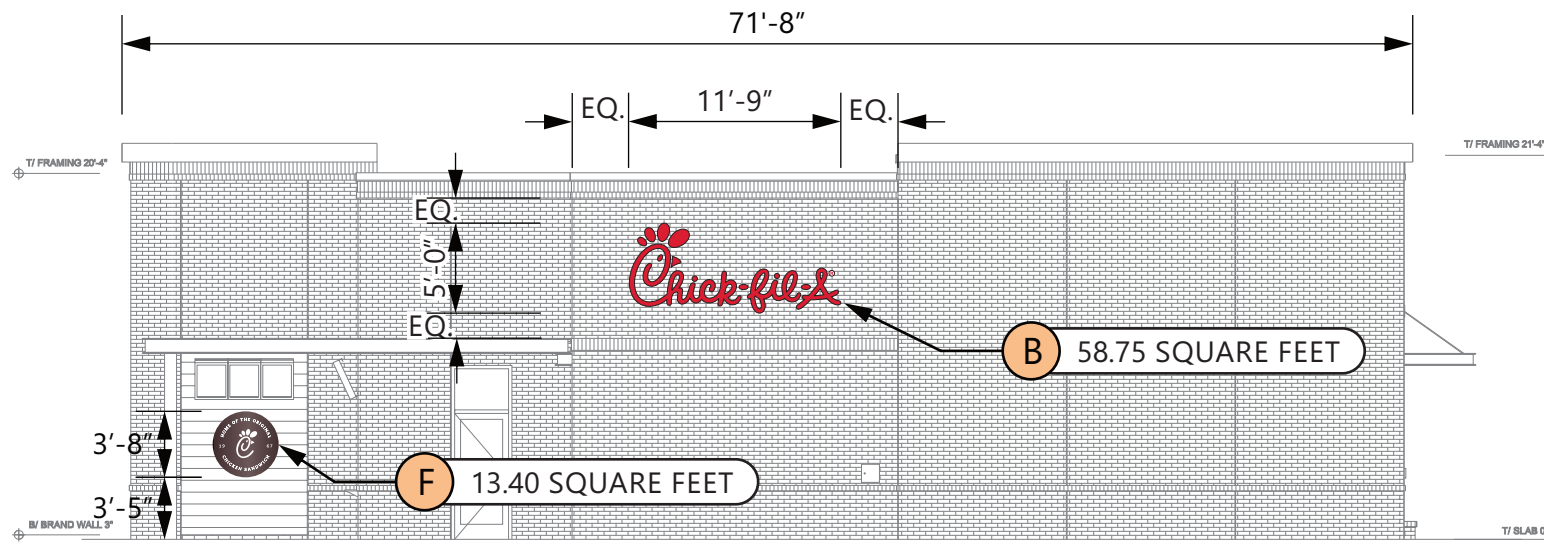
ALL ELECTRICAL SIGNS ARE 120 VOLTS UNLESS OTHERWISE INDICATED

DRAWN BY Ben Holliday
 ACCOUNT REP. Ben Holliday
 DRAWING DATE January 24, 2024
 REVISION DATE July 2, 2024

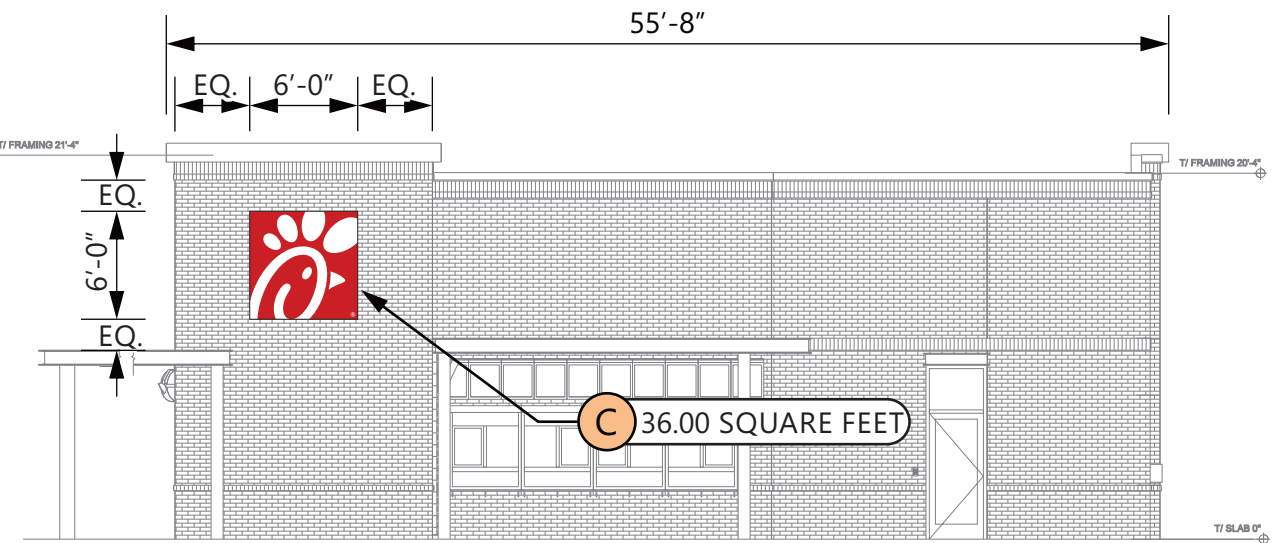
STORE NUMBER	STORE ADDRESS
L05844	Chick-fil-A at Naperville, IL (59 & Lacrosse) 3320 Route 59 Naperville, IL 60564

THIS DRAWING IS AN ORIGINAL, UNPUBLISHED DESIGN CREATED BY CLAYTON SIGNS, INC. IT IS NOT TO BE REPRODUCED, CHANGED, OR EXHIBITED TO ANYONE OUTSIDE OF YOUR COMPANY IN WHOLE OR IN PART WITHOUT WRITTEN PERMISSION FROM THE OWNER OF CLAYTON SIGNS, INC. ANY SUCH ACTIONS MAY BE SUBJECT TO LEGAL ACTION IN A COURT OF LAW.
 ©2024 ALL RIGHTS RESERVED

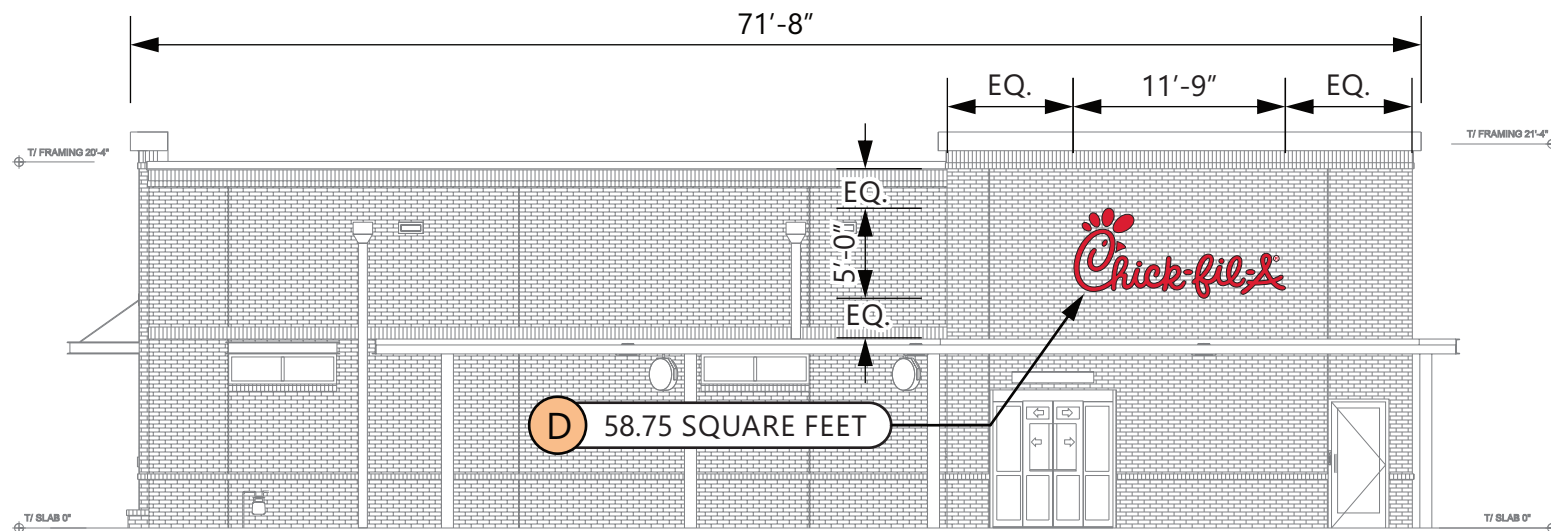
SITE PLAN



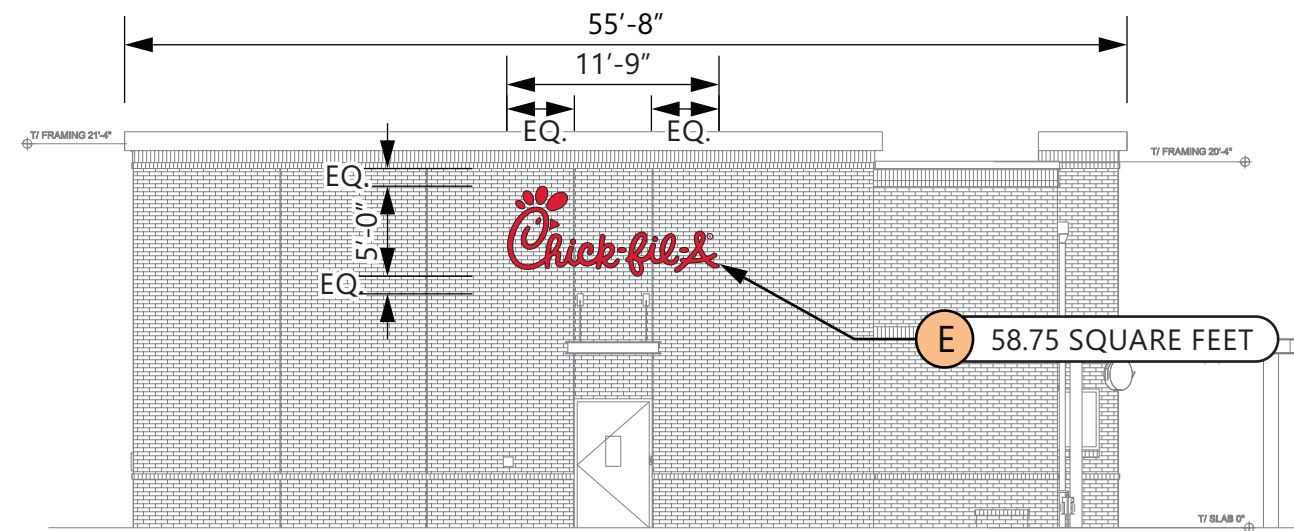
NORTH ELEVATION
SCALE - 3/32" = 1'- 0"



EAST ELEVATION
SCALE - 3/32" = 1'- 0"



SOUTH ELEVATION
SCALE - 3/32" = 1'- 0"



WEST ELEVATION
SCALE - 3/32" = 1'- 0"




STORE NUMBER	STORE ADDRESS
L05844	Chick-fil-A at Naperville, IL (59 & Lacrosse) 3320 Route 59 Naperville, IL 60564


SPECIFICATIONS

SIGN CABINET IS SIGN COMP #2005 EXTRUDED CABINET WITH A SIGN COMP # 2085/2095 BLEED FLEX FACE FRAME
 CABINET IS INTERNALLY ILLUMINATED WHITE LED 6500K LIGHTS, SPACED EVENLY. PAINT INTERIOR OF CABINETS MATTE WHITE.
 CLOSED SUNDAY PANEL (IF SHOWN)
 IS .125" ALUM. ROUTED FACE BACKED ACRYLIC.

READER BOARD CABINET (IF SHOWN)
 .125" ALUM. FACE PANEL WITH ROUTED OPENING FOR READER BOARD AND COPY READING "CLOSED SUNDAY" APERCU SENTENCE CASE BOLD.
 HINGED VANDAL COVER FRAME WITH 187" THICK CLEAR POLYCARBONATE FACE WITH INSET .125" #7328 WHITE. READER FACE WITH ZIP TRACK TO ACCOMMODATE WAGNER ZIPLETTER SET THAT INCLUDES FRANKLIN GOTHIC EXTRA CONDENSED UPPERCASE LETTER SET OF 334 CHARACTERS WITH PUNCTUATION MARKS.

MASONRY WORK BY THE GENERAL CONTRACTOR
 FOUNDATION IS FURNISHED BY CLAYTON SIGNS, INC.

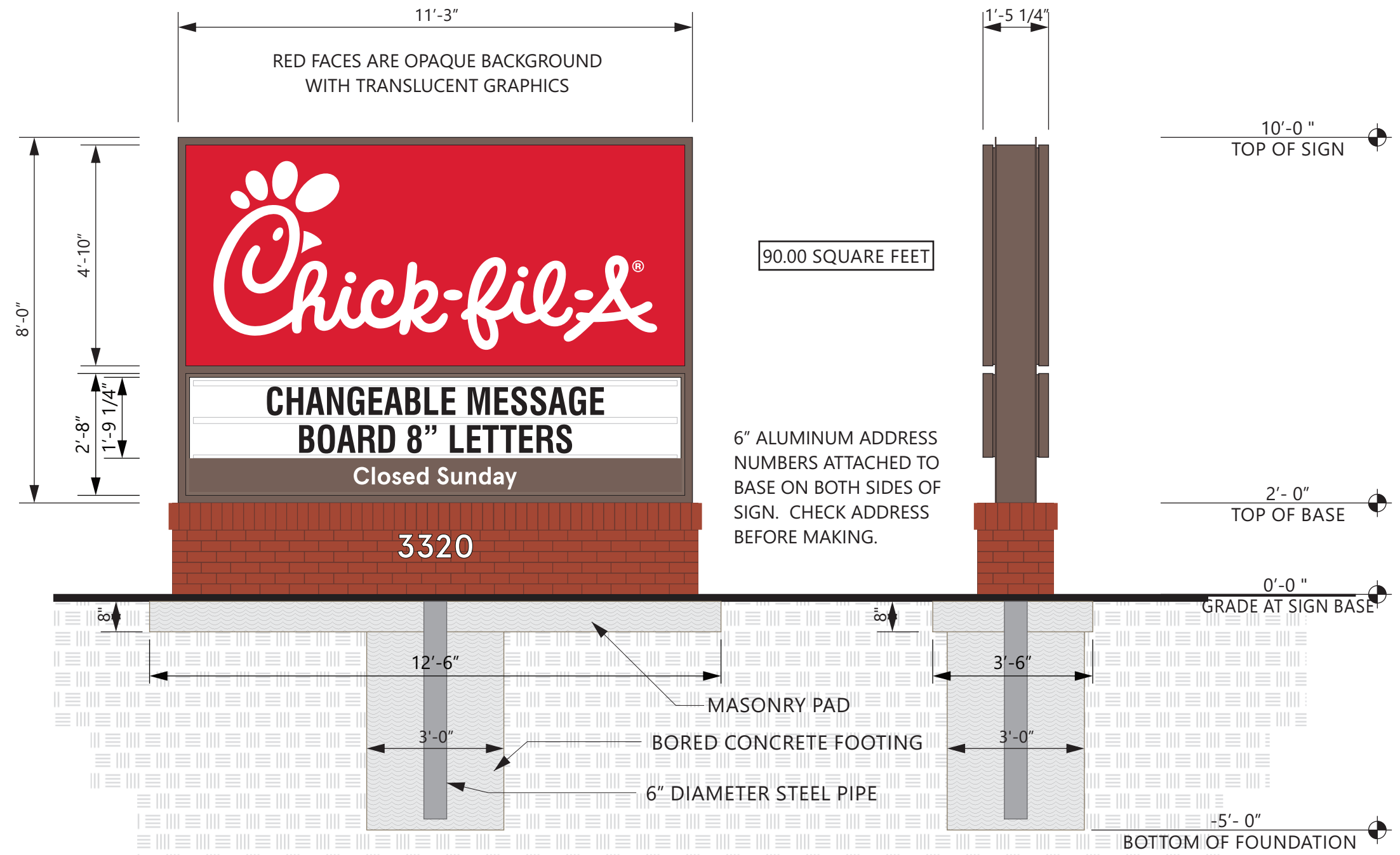

 3M #3630-53 TRANSLUCENT CARDINAL RED
 TENSION FRAME COVER TO BE PAINTED
 GENESIS M SINGLE STAGE (G2-SERIES) RED #48247


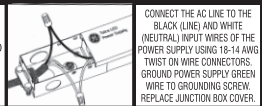

 WHITE BLEED 3M
 PANOGRAPHIC III FLEX FACE
 W/ .125" #7328 WHITE PLEX


 PAINTED MATTHEWS
 #74155 DARK BRONZE, SEMI-GLOSS


 MASONRY TO MATCH BUILDING

NOTE: ILLUMINATION WILL NOT EXCEED 30 FOOTCANDLES AT 4 FEET FROM FACE PER SECTION 6-16-8:4.



	DOUBLE FACED CABINET LED's GEWHDS96 - 71K - DOUBLE SIDED POWER SUPPLY GEPS24 - 24V POWER SUPPLY		WET LOCATION CONNECT THE AC LINE TO THE BLACK (LINE) AND WHITE (NEUTRAL) INPUT WIRES OF THE POWER SUPPLY USING 18-14 AWG TWIST ON WIRE CONNECTORS. GROUND POWER SUPPLY GREEN WIRE TO GROUNDING SCREW. REPLACE JUNCTION BOX COVER.
	THIS SIGN IS INTENDED TO BE INSTALLED IN ACCORDANCE WITH REQUIREMENTS OF ARTICLE 600 OF THE NATIONAL ELECTRICAL CODE AND/OR APPLICABLE LOCAL CODES. THIS INCLUDES PROPER GROUNDING & BONDING OF THE SIGN.		


 5198 North Lake Drive
 Lake City, GA 30260
 404.361.3800
 www.claytonsigns.com

MONUMENT SIGN

DRAWING FILE - CFA - NAPERVILLE, IL (59 & LACROSSE) SIGNAGE.CDR

ALL ELECTRICAL SIGNS ARE 120 VOLTS UNLESS OTHERWISE INDICATED

DRAWN BY Ben Holliday
 ACCOUNT REP. Ben Holliday
 DRAWING DATE January 24, 2024
 REVISION DATE July 2, 2024

STORE NUMBER	STORE ADDRESS
L05844	Chick-fil-A at Naperville, IL (59 & Lacrosse) 3320 Route 59 Naperville, IL 60564

THIS DRAWING IS AN ORIGINAL, UNPUBLISHED DESIGN CREATED BY CLAYTON SIGNS, INC. IT IS NOT TO BE REPRODUCED, CHANGED, OR EXHIBITED TO ANYONE OUTSIDE OF YOUR COMPANY IN WHOLE OR IN PART WITHOUT WRITTEN PERMISSION FROM THE OWNER OF CLAYTON SIGNS, INC. ANY SUCH ACTIONS MAY BE SUBJECT TO LEGAL ACTION IN A COURT OF LAW.
 ©2024 ALL RIGHTS RESERVED

LOCATION

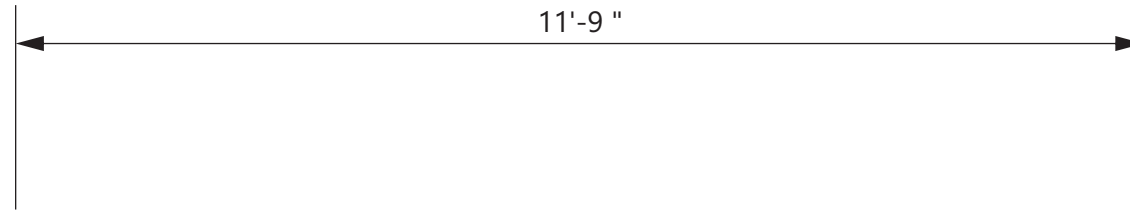
A

NOTE: ILLUMINATION WILL NOT EXCEED 30 FOOTCANDLES AT 4 FEET FROM FACE PER SECTION 6-16-8:4.

SPECIFICATIONS

CHICK-FIL-A SCRIPT LETTERS

LETTERS ARE LED-ILLUMINATED CHANNEL LETTERS MOUNTED ON ALUMINUM SURFACE OF BUILDING WITH TRANSFORMERS REMOTELY LOCATED BEHIND THE WALL IN UL APPROVED TRANSFORMER BOXES. FACES ARE 3/16" ACRYLIC RETURNS ARE .063 ALUMINUM BACKS ARE .080 ALUMINUM ALL RETURNS ARE ARC-WELDED TO LETTER BACKS



ELEVATION

SCALE - 1/2" = 1'- 0"

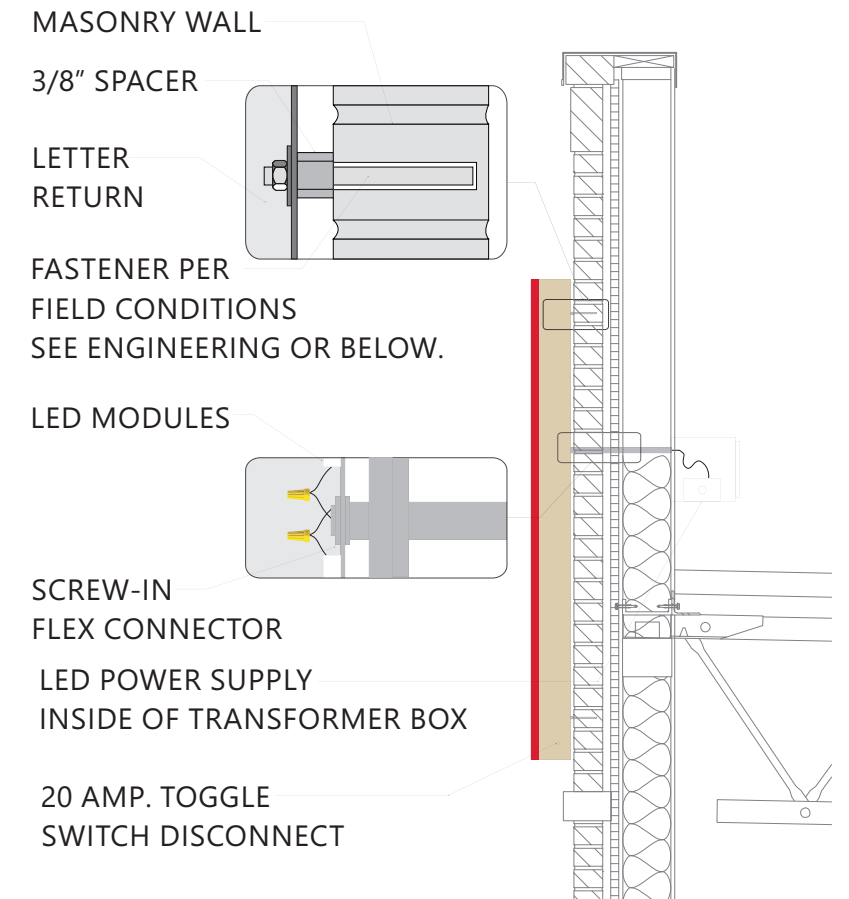


CHANNEL LETTER FACES
2793 RED ACRYLIC
TRIMCAP RETAINER-
1" RED JEWELITE TRIMCAP



ALUMINUM RETURNS
PAINTED TO MATCH
SHERWIN WILLIAMS
SW6108 LATTE

58.75 SQUARE FEET



FASTENER NOTE:
USE 18-8 STAINLESS STEEL BOLTS W/ SPACERS THRU EIFS. EXPANSION BOLTS IN CONCRETE OR BRICK WALLS. TOGGLE BOLTS IN CONCRETE BLOCK OR PANEL WALLS. TEK SCREWS IN METAL STUDS. LAG-BOLTS IN WOOD STUDS. ALL THREAD BOLTS WITH BLOCKING BETWEEN STUDS.

CROSS-SECTION

SCALE - 1/2" = 1'- 0"

	CHANNEL LETTERS (RED ILLUMINATION) LED's JTSL5016R-0.4 RED LED POWER SUPPLY BL-120-12-60 POWER SUPPLY		WET LOCATION CONNECT THE AC LINE TO THE BLACK (LINE) AND WHITE (NEUTRAL) INPUT WIRES OF THE POWER SUPPLY USING 18-14 AWG TWIST ON WIRE CONNECTORS. GROUND POWER SUPPLY GREEN WIRE TO GROUNDING SCREW. REPLACE JUNCTION BOX COVER.

THIS SIGN IS INTENDED TO BE INSTALLED IN ACCORDANCE WITH REQUIREMENTS OF ARTICLE 600 OF THE NATIONAL ELECTRICAL CODE AND/OR APPLICABLE LOCAL CODES. THIS INCLUDES PROPER GROUNDING & BONDING OF THE SIGN.



5198 North Lake Drive
Lake City, GA 30260
404.361.3800
www.claytonsigns.com

LED-ILLUMINATED
CHANNEL LETTERS

DRAWING FILE - CFA - NAPERVILLE, IL (59 & LACROSSE) SIGNAGE.CDR

ALL ELECTRICAL
SIGNS ARE
120 VOLTS
UNLESS
OTHERWISE INDICATED

DRAWN BY Ben Holliday
ACCOUNT REP. Ben Holliday
DRAWING DATE January 24, 2024
REVISION DATE July 2, 2024

STORE NUMBER	STORE ADDRESS
L05844	Chick-fil-A at Naperville, IL (59 & Lacrosse) 3320 Route 59 Naperville, IL 60564

THIS DRAWING IS AN ORIGINAL, UNPUBLISHED DESIGN CREATED BY CLAYTON SIGNS, INC. IT IS NOT TO BE REPRODUCED, CHANGED, OR EXHIBITED TO ANYONE OUTSIDE OF YOUR COMPANY IN WHOLE OR IN PART WITHOUT WRITTEN PERMISSION FROM THE OWNER OF CLAYTON SIGNS, INC. ANY SUCH ACTIONS MAY BE SUBJECT TO LEGAL ACTION IN A COURT OF LAW.
©2024 ALL RIGHTS RESERVED

LOCATION
B,D,E

SPECIFICATIONS

CABINET

ALUMINUM CABINET HAS EXTRUDED ALUMINUM

FACES

FLEX FACES DECORATED WITH TRANSLUCENT VINYL

FILM ON SURFACE OF ACRYLIC.

INTERNALLY ILLUMINATED WITH WHITE LED 6500K LIGHTS.

DISCONNECT SWITCH AS REQUIRED PER NEC.

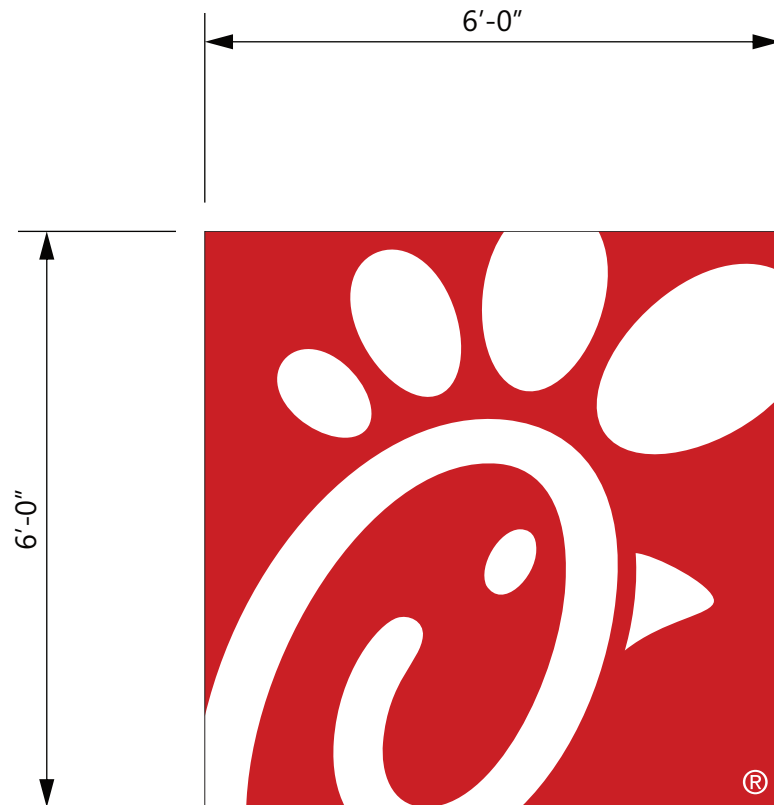
FACES

3M #3630-53 CARDINAL
RED TRANSLUCENT VINYL

CABINET

GENESIS M SINGLE STAGE
(G2-SERIES) RED #48247

3M PANOGRAPHIC III FLEX FACE



ELEVATION

SCALE - 1/2" = 1'- 0"

36.00 SQUARE FEET

NOTE: RED IS PART OF THE LOGO AND WILL BE ILLUMINATED IN ACCORDANCE WITH SECTION 6-16-8:2 ILLUMINATION WILL NOT EXCEED 30 FOOTCANDLES AT 4 FEET FROM FACE PER SECTION 6-16-8:4.

WALL SHEATHING

3/8" SPACER

SIGN
CABINET

3/8" STAINLESS
STEEL LAG BOLT INTO BLOCKING

2 x 8" WOOD BLOCKING
FOR MOUNTING OF SIGN

2 x 8" WOOD BLOCKING
FOR MOUNTING OF SIGN

20 AMP. SWITCH DISCONNECT

END VIEW

SCALE - 1/2" = 1'- 0"

	SINGLE FACED CABINET		WET LOCATION
		LED'S GEVHSSPS3 - 71K - SINGLED SID POWER SUPPLY GEPST2 - 12V POWER SUPPLY	
CONNECT THE AC LINE TO THE BLACK (LINE) AND WHITE (NEUTRAL) INPUT WIRES OF THE POWER SUPPLY USING 18-14 AWG TWIST ON WIRE CONNECTORS. GROUND POWER SUPPLY GREEN WIRE TO GROUNDING SCREW. REPLACE JUNCTION BOX COVER.			
THIS SIGN IS INTENDED TO BE INSTALLED IN ACCORDANCE WITH REQUIREMENTS OF ARTICLE 600 OF THE NATIONAL ELECTRICAL CODE AND/OR APPLICABLE LOCAL CODES. THIS INCLUDES PROPER GROUNDING & BONDING OF THE SIGN.			



5198 North Lake Drive
Lake City, GA 30260
404.361.3800
www.claytonsigns.com

WALL SIGN

DRAWING FILE - CFA - NAPERVILLE, IL (59 & LACROSSE) SIGNAGE.CDR

ALL ELECTRICAL
SIGNS ARE
120 VOLTS
UNLESS
OTHERWISE INDICATED

DRAWN BY Ben Holliday
ACCOUNT REP. Ben Holliday
DRAWING DATE January 24, 2024
REVISION DATE July 2, 2024

STORE NUMBER	STORE ADDRESS
L05844	Chick-fil-A at Naperville, IL (59 & Lacrosse) 3320 Route 59 Naperville, IL 60564

THIS DRAWING IS AN ORIGINAL, UNPUBLISHED DESIGN CREATED BY CLAYTON SIGNS, INC. IT IS NOT TO BE REPRODUCED, CHANGED, OR EXHIBITED TO ANYONE OUTSIDE OF YOUR COMPANY IN WHOLE OR IN PART WITHOUT WRITTEN PERMISSION FROM THE OWNER OF CLAYTON SIGNS, INC. ANY SUCH ACTIONS MAY BE SUBJECT TO LEGAL ACTION IN A COURT OF LAW.
©2024 ALL RIGHTS RESERVED

LOCATION

C

SPECIFICATIONS

ALUMINUM CONSTRUCTION CABINET WITH ROUNDED ALUMINUM FACES BACKED WITH ALUMINUM
 ALL EXPOSED FASTENERS TO BE PAINTED AND TOUCHED UP WITH SIGN BACKGROUND COLOR
 BACKGROUND COLOR

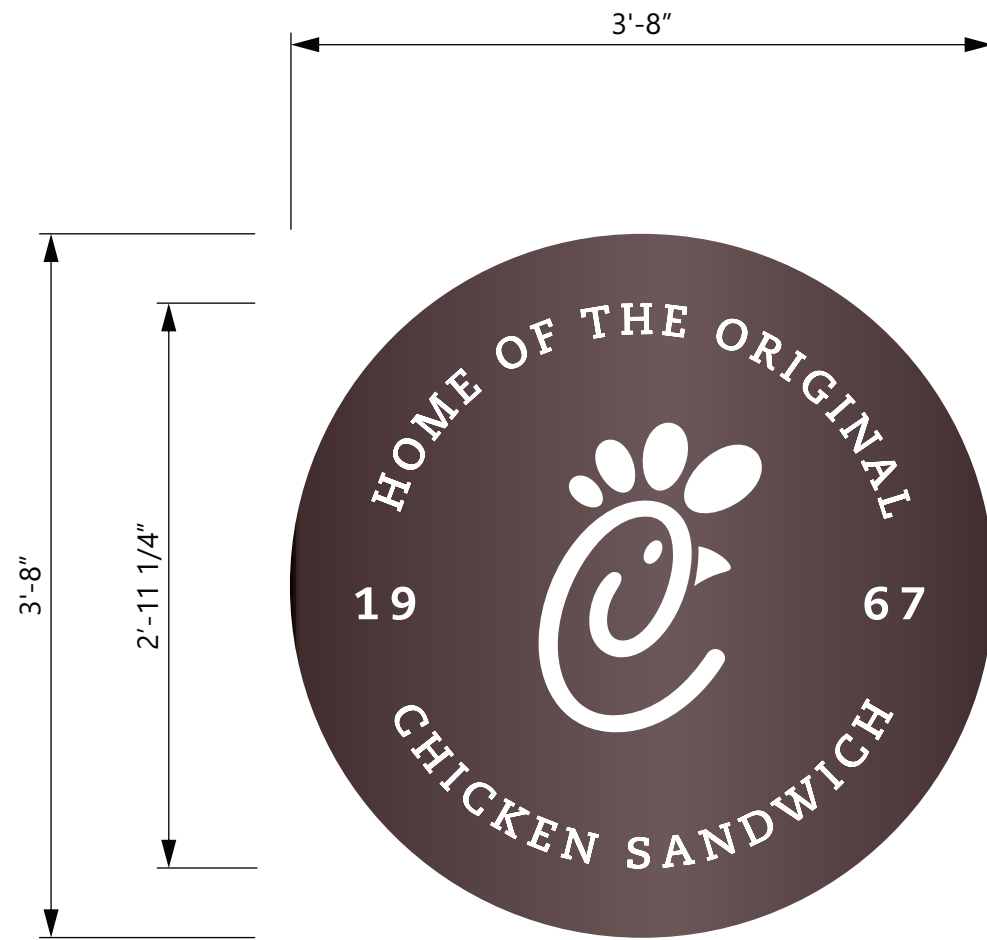
COLORS



MATTHEWS PAINT
 EQUUS BRONZE METALLIC
 MP20181



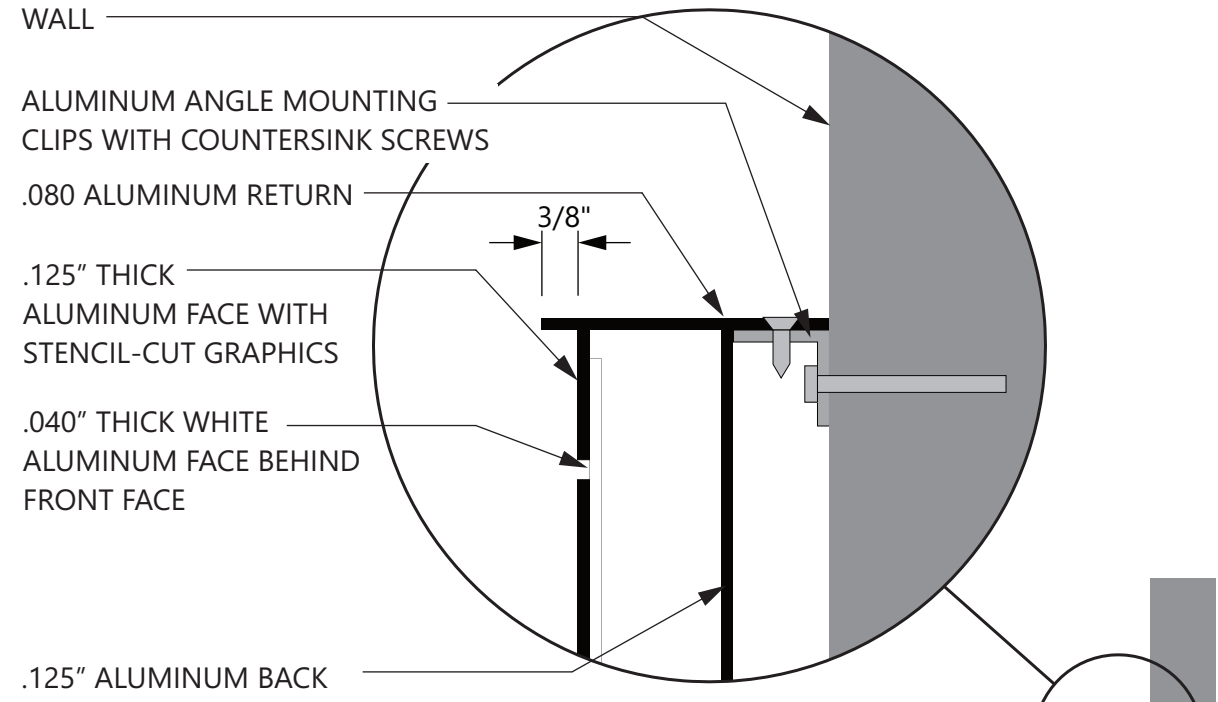
MATTHEWS WHITE



ELEVATION
 SCALE - 1" = 1'- 0"



END VIEW
 SCALE - 1" = 1'- 0"



DETAIL
 SCALE - 6" = 1'- 0"



CROSS-SECTION
 SCALE - 1 1/2" = 1'- 0"

FONTS -
APERCU BOLD
CAECILIA COM 85 HEAVY



5198 North Lake Drive
 Lake City, GA 30260
 404.361.3800
 www.claytonsigns.com

WALL SIGN
HOTOC'S DIMENSIONAL STAMP

DRAWING FILE - CFA - NAPERVILLE, IL (59 & LACROSSE) SIGNAGE.CDR

ALL ELECTRICAL
 SIGNS ARE
 120 VOLTS
 UNLESS
 OTHERWISE INDICATED

DRAWN BY Ben Holliday
 ACCOUNT REP. Ben Holliday
 DRAWING DATE January 24, 2024
 REVISION DATE July 2, 2024

STORE NUMBER	STORE ADDRESS
L05844	Chick-fil-A at Naperville, IL (59 & Lacrosse) 3320 Route 59 Naperville, IL 60564

THIS DRAWING IS AN ORIGINAL, UNPUBLISHED DESIGN CREATED BY CLAYTON SIGNS, INC. IT IS NOT TO BE REPRODUCED, CHANGED, OR EXHIBITED TO ANYONE OUTSIDE OF YOUR COMPANY IN WHOLE OR IN PART WITHOUT WRITTEN PERMISSION FROM THE OWNER OF CLAYTON SIGNS, INC. ANY SUCH ACTIONS MAY BE SUBJECT TO LEGAL ACTION IN A COURT OF LAW.
 ©2024 ALL RIGHTS RESERVED

LOCATION
F

SPECIFICATIONS

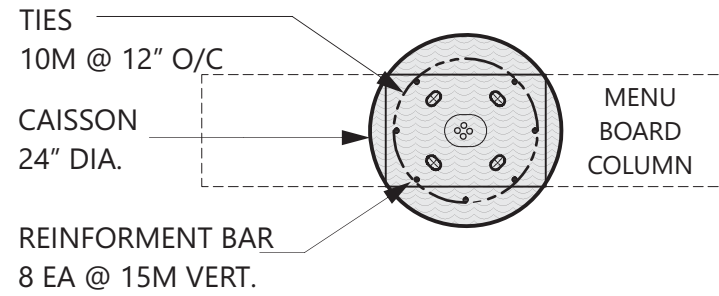
ALUMINUM CONSTRUCTION CABINETS
WITH DIGITAL DISPLAY BOARDS
WITH STATIC IMAGES

MENU BOARDS FURNISHED
BY COATES GROUP AND
INSTALLED BY HONOR BUILT
MENU BOARD COLUMN AND FRAMING
FURNISHED AND INSTALLED BY
PATTISON SIGN GROUP
ANCHOR CAGES AND FOOTINGS
FURNISHED AND INSTALLED BY
CLAYTON SIGNS

COLORS

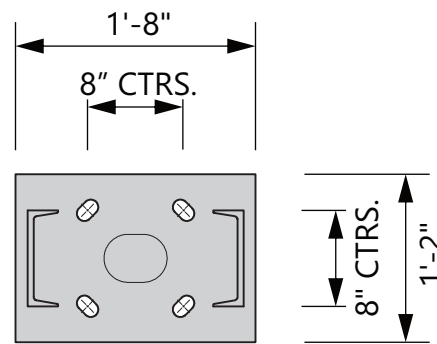
CHICK-FIL-A DARK BRONZE

WHITE REFLECTIVE VINYL FILM



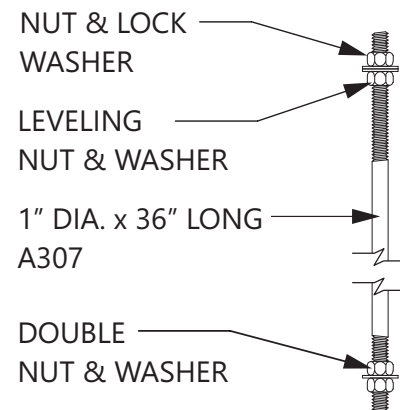
PLAN VIEW

SCALE - 1/2" = 1'-0"



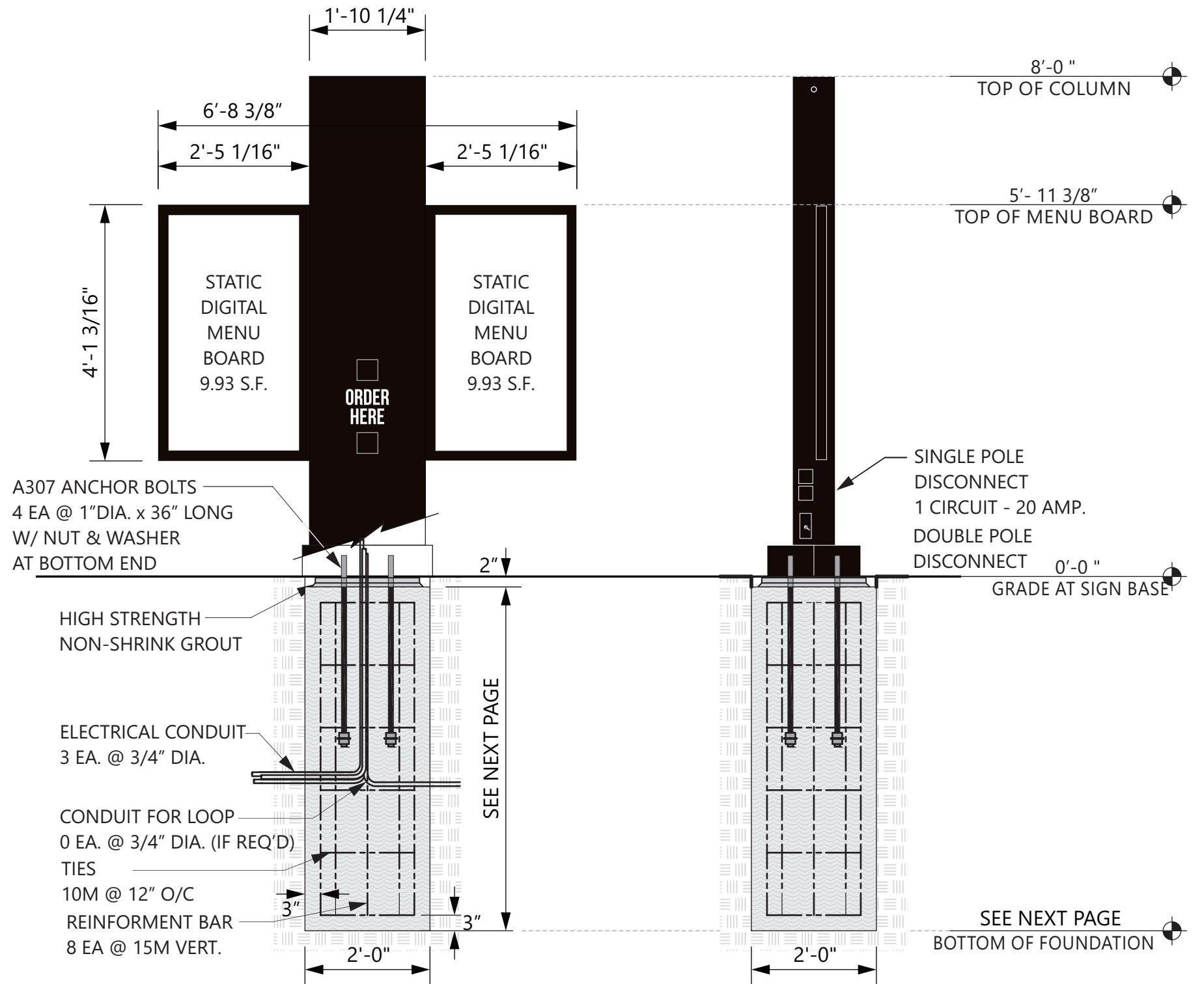
BASE PLATE DETAIL

SCALE - 3/4" = 1'-0"



ANCHOR BOLT - QTY. 4

NOT TO SCALE



ELEVATION

SCALE - 1/2" = 1'-0"

END VIEW

SCALE - 1/2" = 1'-0"



5198 North Lake Drive
Lake City, GA 30260
404.361.3800
www.claytonsigns.com

STATIC DIGITAL DRIVE-THRU
MENU BOARDS

DRAWING FILE - CFA - NAPERVILLE, IL (59 & LACROSSE) SIGNAGE.CDR

ALL ELECTRICAL
SIGNS ARE
120 VOLTS
UNLESS
OTHERWISE INDICATED

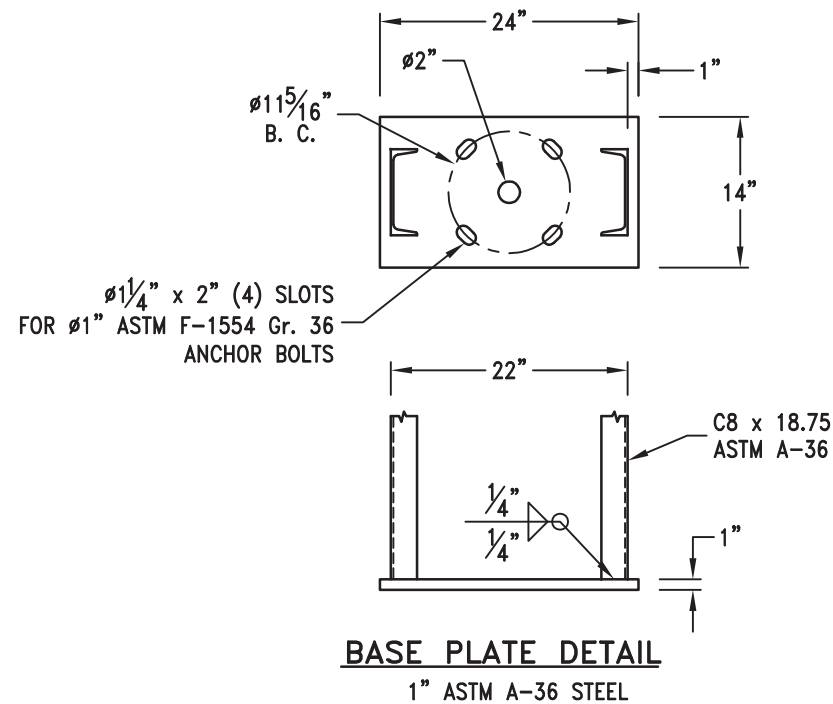
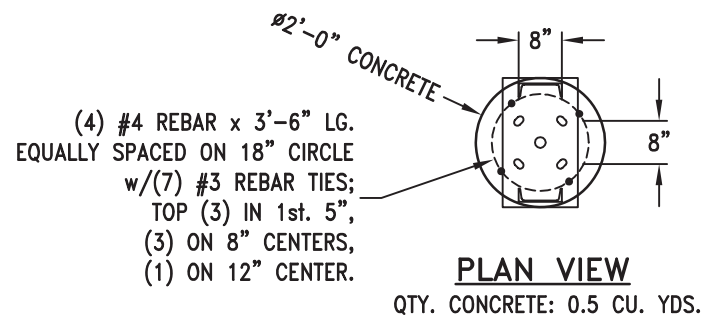
DRAWN BY Ben Holliday
ACCOUNT REP. Ben Holliday
DRAWING DATE January 24, 2024
REVISION DATE July 2, 2024

STORE NUMBER
L05844

STORE ADDRESS
Chick-fil-A at Naperville, IL (59 & Lacrosse)
3320 Route 59
Naperville, IL 60564

THIS DRAWING IS AN ORIGINAL, UNPUBLISHED DESIGN CREATED
BY CLAYTON SIGNS, INC. IT IS NOT TO BE REPRODUCED,
CHANGED, OR EXHIBITED TO ANYONE OUTSIDE OF YOUR
COMPANY IN WHOLE OR IN PART WITHOUT WRITTEN PERMISSION
FROM THE OWNER OF CLAYTON SIGNS, INC. ANY SUCH ACTIONS
MAY BE SUBJECT TO LEGAL ACTION IN A COURT OF LAW.
©2024 ALL RIGHTS RESERVED

LOCATION
H1/H2

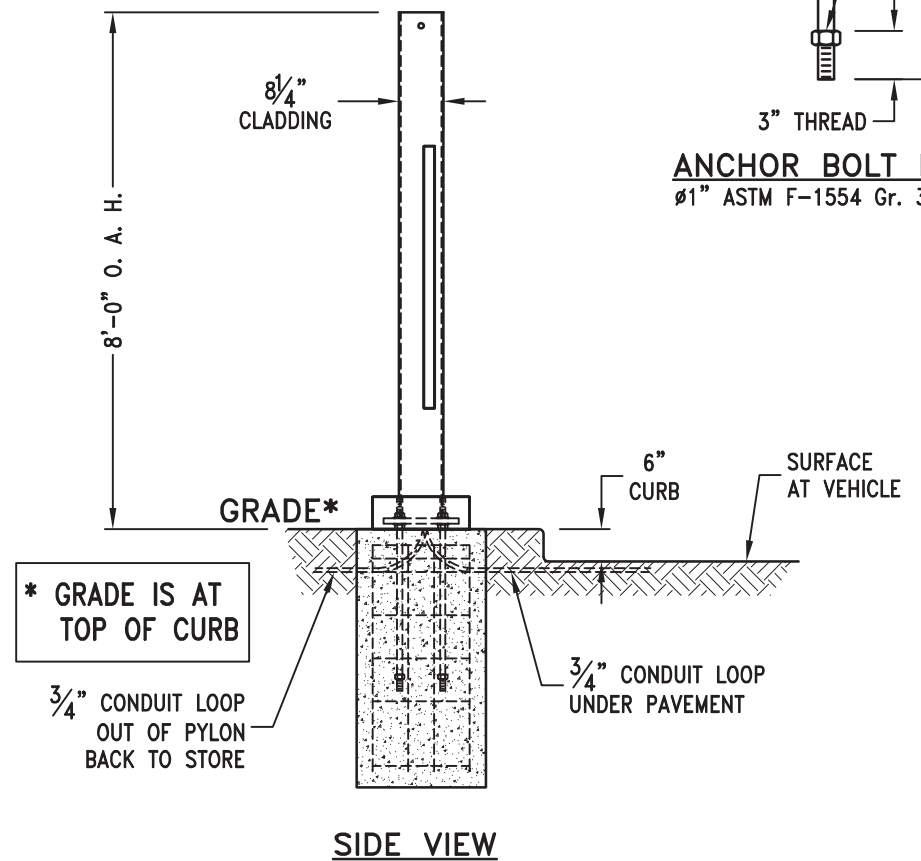
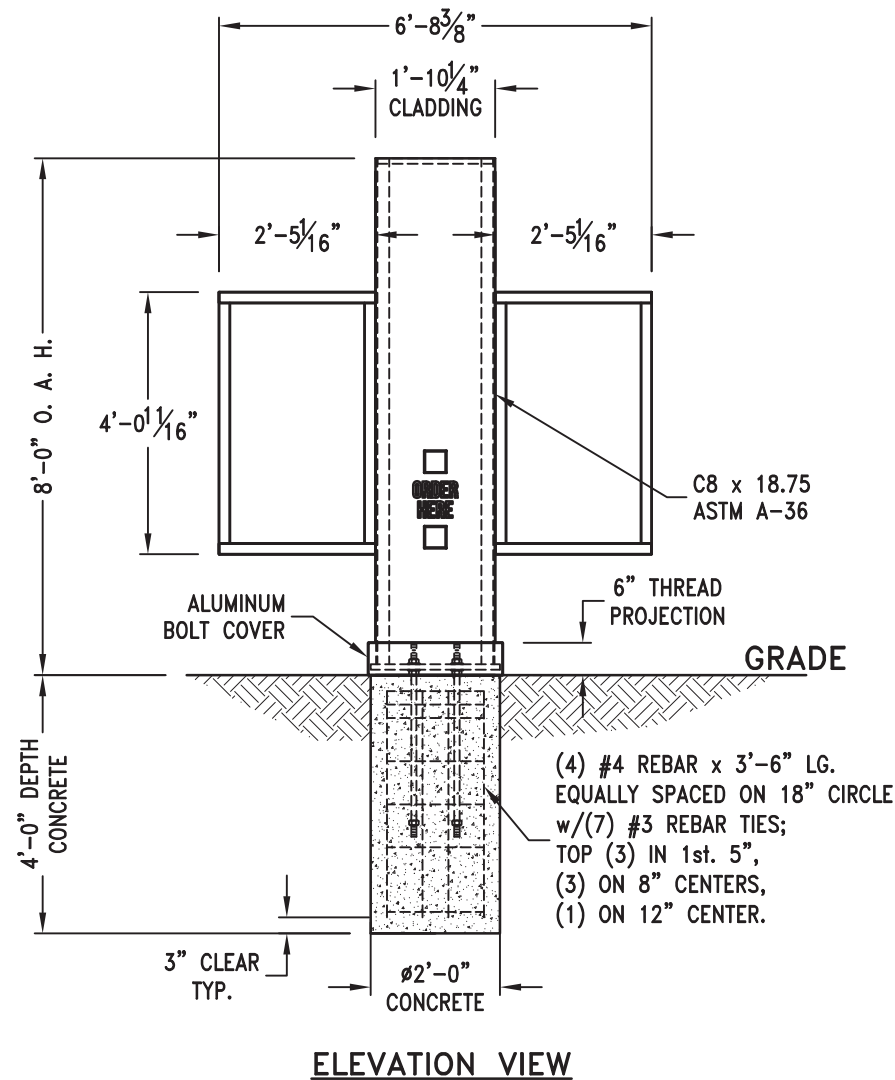


FOUNDATION DESIGN NOTES:

- Concrete shall have a minimum compressive strength of 3000 PSI at 28 days.
- Reinforcing steel shall be ASTM A-615 Gr. 60.
- Caisson footing designed using a soil bearing force of 150 PSF per foot Lateral. If this soil condition does not exist, it is the Erector's responsibility to have a new footing designed for the existing soil conditions by a Licensed Engineer.
- Anchor bolts shall be ASTM F-1554 Gr. 36 steel.

DESIGN WIND LOAD:

Based on the 2015 International Building Code (ASCE 7-10) using Risk Category II, Exposure C and 115 mph wind speed.



ANCHOR BOLT DETAIL
 $\phi 1$ " ASTM F-1554 Gr. 36 STEEL



5198 North Lake Drive
Lake City, GA 30260
404.361.3800
www.claytonsigns.com

STATIC DIGITAL DRIVE-THRU
MENU BOARDS

DRAWING FILE - CFA - NAPERVILLE, IL (59 & LACROSSE) SIGNAGE.CDR

ALL ELECTRICAL
SIGNS ARE
120 VOLTS
UNLESS
OTHERWISE INDICATED

DRAWN BY Ben Holliday
ACCOUNT REP. Ben Holliday
DRAWING DATE January 24, 2024
REVISION DATE July 2, 2024

STORE NUMBER	STORE ADDRESS
L05844	Chick-fil-A at Naperville, IL (59 & Lacrosse) 3320 Route 59 Naperville, IL 60564

THIS DRAWING IS AN ORIGINAL, UNPUBLISHED DESIGN CREATED BY CLAYTON SIGNS, INC. IT IS NOT TO BE REPRODUCED, CHANGED, OR EXHIBITED TO ANYONE OUTSIDE OF YOUR COMPANY IN WHOLE OR IN PART WITHOUT WRITTEN PERMISSION FROM THE OWNER OF CLAYTON SIGNS, INC. ANY SUCH ACTIONS MAY BE SUBJECT TO LEGAL ACTION IN A COURT OF LAW.
©2024 ALL RIGHTS RESERVED

LOCATION
H1/H2

SPECIFICATIONS

SIGN PANELS

PANELS ARE .080 ALUMINUM WITH REFLECTIVE BACKGROUND AND GRAPHICS.

SIGN POSTS

POSTS ARE 2" x 2" SQUARE ALUMINUM TUBING CAPPED ON TOP



BACK OF SIGN PANEL AND POST
MP 20181 DARK BRONZE
SW #DDM460012

ILLINOIS STANDARD R7-I101P



COLOR LEGEND AND BORDER BACKGROUND GREEN WHITE REFLECTORIZED REFLECTORIZED

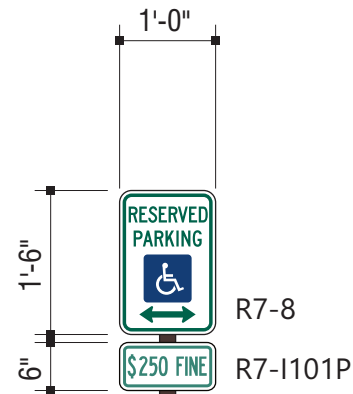
SIGN SIZE	DIMENSIONS				
	A	B	C	D	E
12 X 6	12.00	6.00	1.50	10.00	4.25

SIGN SIZE	SERIES BY LINE			MARGIN	BORDER
	1	2	3		
12 X 6	2.5 B			0.375	0.438

All dimensions in inches. Sign not to scale.

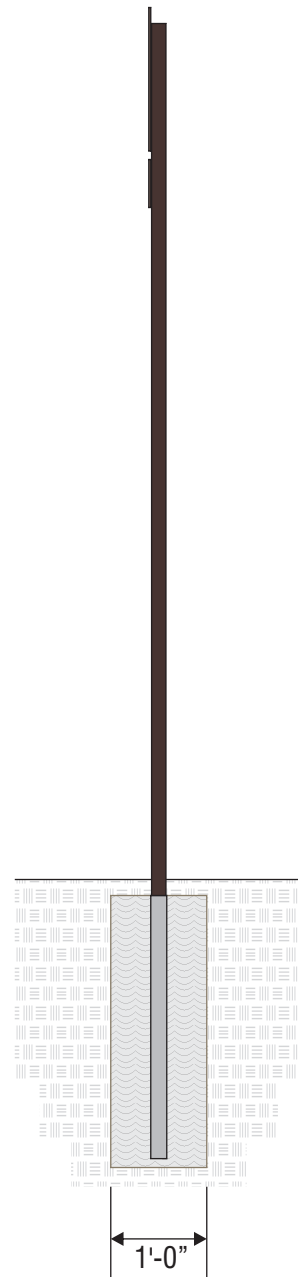
Where a fine in excess of \$250 is established by an agency in accordance with the statutes, the actual amount of the fine should be shown.

This plate may be mounted directly below the R7-8 sign or combined with that sign on a single 12 inch by 24 inch sign (R7-I101).



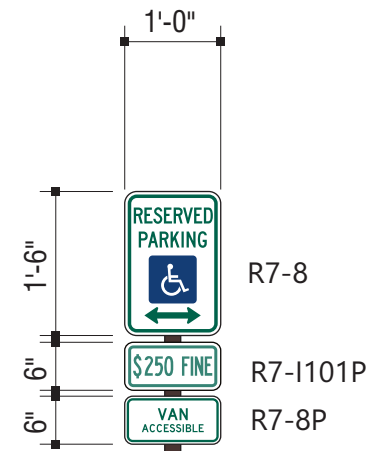
ELEVATION

SCALE - 1/2" = 1'- 0"



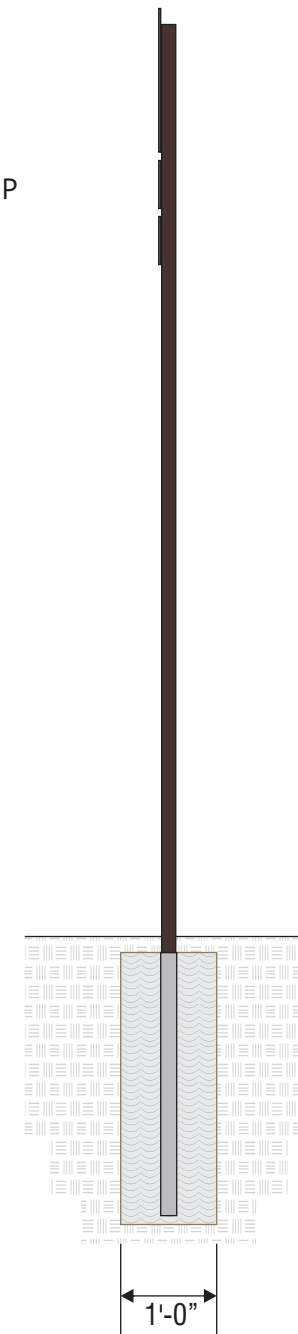
END VIEW

SCALE - 1/2" = 1'- 0"



ELEVATION

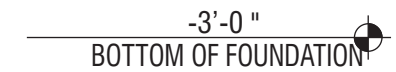
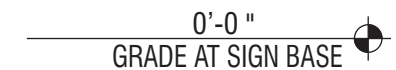
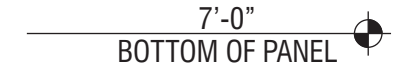
SCALE - 1/2" = 1'- 0"



END VIEW

SCALE - 1/2" = 1'- 0"

NOTE: IF THIS SIGN IS LOCATED ON THE SIDEWALK THEN IT IS THE RESPONSIBILITY OF THE GENERAL CONTRACTOR TO INSTALL A PVC SLEEVE INTO THE CONCRETE WHEN THE SIDEWALK IS POURED PRIOR TO INSTALLATION OF THE SIGN BY CLAYTON SIGNS.



5198 North Lake Drive
Lake City, GA 30260
404.361.3800
www.claytonsigns.com

DOT REGULATORY TRAFFIC SIGNS

DRAWING FILE - CFA - NAPERVILLE, IL (59 & LACROSSE) SIGNAGE.CDR

ALL ELECTRICAL SIGNS ARE 120 VOLTS UNLESS OTHERWISE INDICATED

DRAWN BY Ben Holliday
ACCOUNT REP. Ben Holliday
DRAWING DATE January 24, 2024
REVISION DATE July 2, 2024

STORE NUMBER	STORE ADDRESS
L05844	Chick-fil-A at Naperville, IL (59 & Lacrosse) 3320 Route 59 Naperville, IL 60564

THIS DRAWING IS AN ORIGINAL, UNPUBLISHED DESIGN CREATED BY CLAYTON SIGNS, INC. IT IS NOT TO BE REPRODUCED, CHANGED, OR EXHIBITED TO ANYONE OUTSIDE OF YOUR COMPANY IN WHOLE OR IN PART WITHOUT WRITTEN PERMISSION FROM THE OWNER OF CLAYTON SIGNS, INC. ANY SUCH ACTIONS MAY BE SUBJECT TO LEGAL ACTION IN A COURT OF LAW.
©2024 ALL RIGHTS RESERVED

LOCATION
K1/K2

SPECIFICATIONS

SIGN PANELS

SIGNS PANELS

PANELS ARE .080" ALUMINUM. BACKS TO BE PAINTED TO MATCH POSTS.
 POSTS ARE 2" x 2" SQUARE ALUMINUM TUBING CAPPED ON TOP



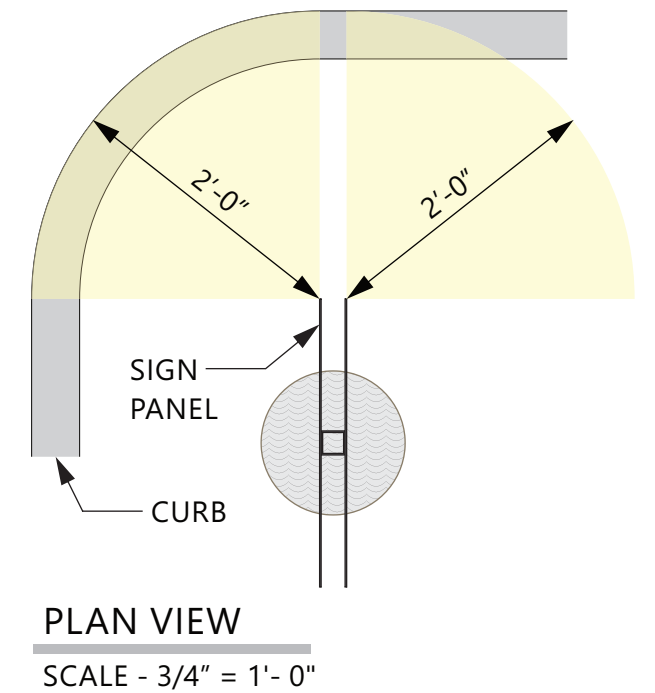
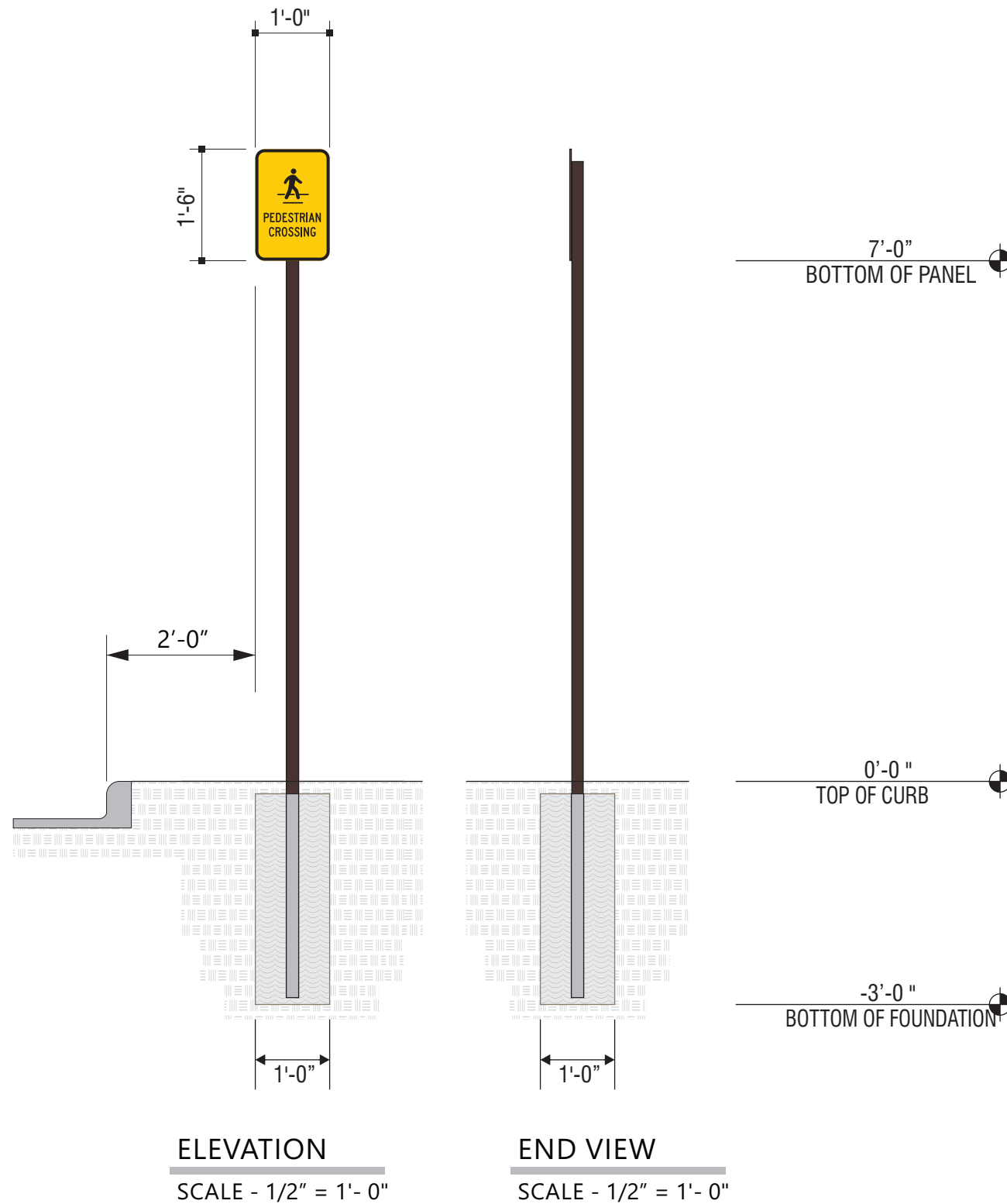
BACK OF SIGN PANEL AND POST
 MP 20181 DARK BRONZE
 SW #DDM460012



SIGN PANEL (IF SHOWN)
 BLACK REFLECTIVE



SIGN PANEL (IF SHOWN)
 3M 680-81 YELLOW REFLECTIVE



5198 North Lake Drive
 Lake City, GA 30260
 404.361.3800
 www.claytonsigns.com

DOT REGULATORY TRAFFIC SIGNS

DRAWING FILE - CFA - NAPERVILLE, IL (59 & LACROSSE) SIGNAGE.CDR

ALL ELECTRICAL
 SIGNS ARE
 120 VOLTS
 UNLESS
 OTHERWISE INDICATED

DRAWN BY Ben Holliday
 ACCOUNT REP. Ben Holliday
 DRAWING DATE January 24, 2024
 REVISION DATE July 2, 2024

STORE NUMBER	STORE ADDRESS
L05844	Chick-fil-A at Naperville, IL (59 & Lacrosse) 3320 Route 59 Naperville, IL 60564

THIS DRAWING IS AN ORIGINAL, UNPUBLISHED DESIGN CREATED BY CLAYTON SIGNS, INC. IT IS NOT TO BE REPRODUCED, CHANGED, OR EXHIBITED TO ANYONE OUTSIDE OF YOUR COMPANY IN WHOLE OR IN PART WITHOUT WRITTEN PERMISSION FROM THE OWNER OF CLAYTON SIGNS, INC. ANY SUCH ACTIONS MAY BE SUBJECT TO LEGAL ACTION IN A COURT OF LAW.
 ©2024 ALL RIGHTS RESERVED

LOCATION

L

SPECIFICATIONS

SIGN PANELS

PANELS ARE .080 ALUMINUM WITH REFLECTIVE BACKGROUND AND GRAPHICS.

SIGN POSTS

POSTS ARE 2" x 2" SQUARE ALUMINUM TUBING CAPPED ON TOP



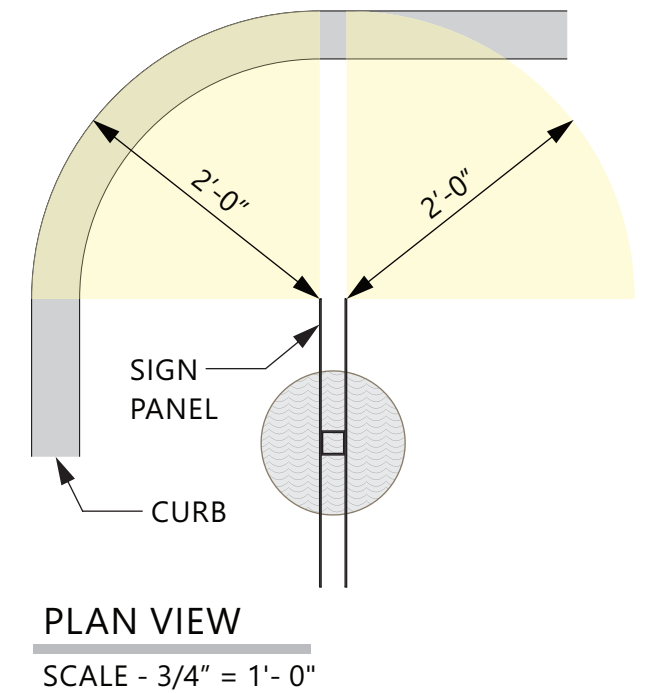
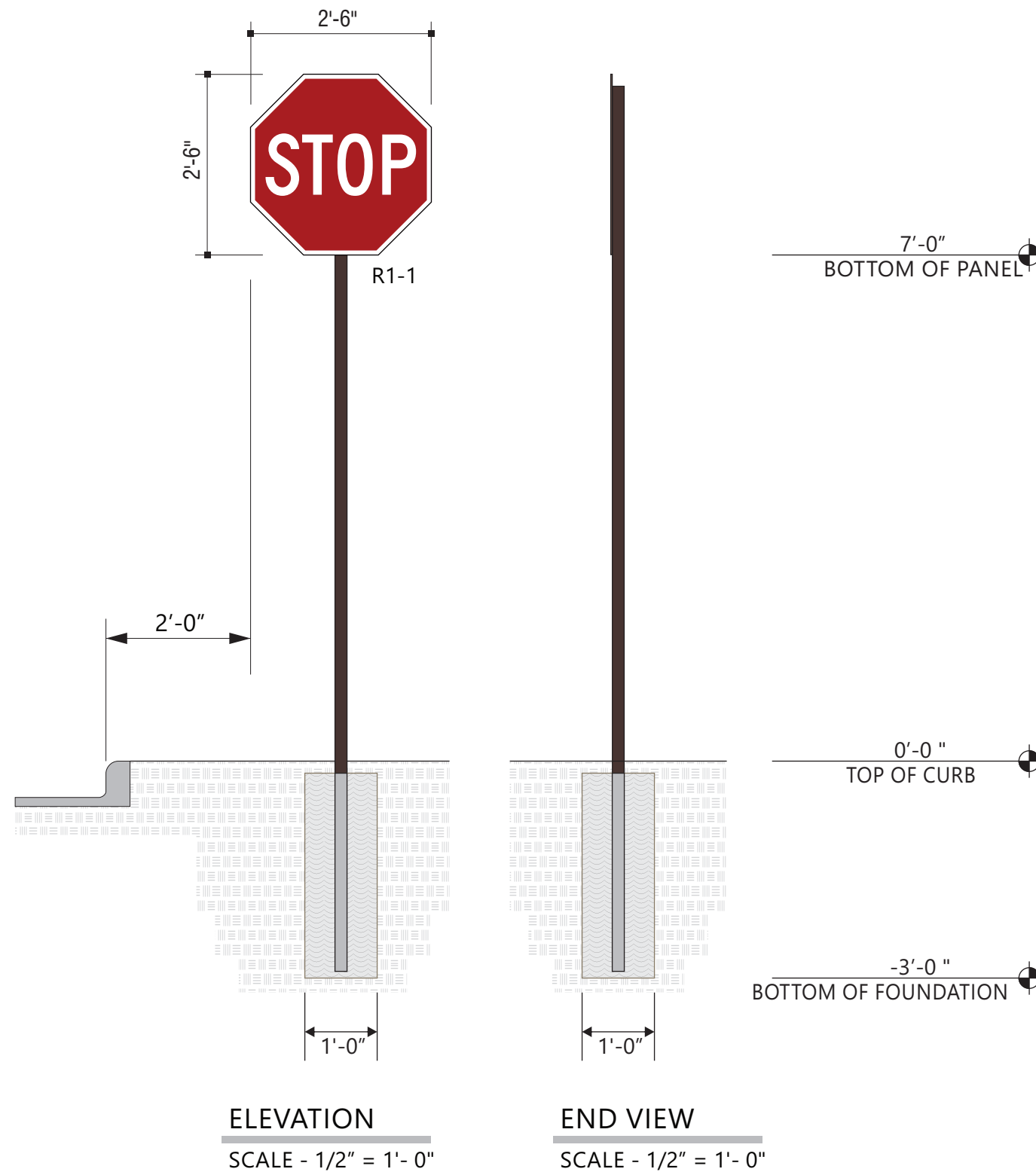
SIGN PANEL
3M #680-82 REFLECTIVE RED.



SIGN PANEL
3M #680-10 REFLECTIVE WHITE



BACK OF SIGN PANEL AND POST
MP 20181 DARK BRONZE
SW #DDM460012



5198 North Lake Drive
Lake City, GA 30260
404.361.3800
www.claytonsigns.com

DOT REGULATORY TRAFFIC SIGNS

DRAWING FILE - CFA - NAPERVILLE, IL (59 & LACROSSE) SIGNAGE.CDR

ALL ELECTRICAL
SIGNS ARE
120 VOLTS
UNLESS
OTHERWISE INDICATED

DRAWN BY Ben Holliday
ACCOUNT REP. Ben Holliday
DRAWING DATE January 24, 2024
REVISION DATE July 2, 2024

STORE NUMBER	STORE ADDRESS
L05844	Chick-fil-A at Naperville, IL (59 & Lacrosse) 3320 Route 59 Naperville, IL 60564

THIS DRAWING IS AN ORIGINAL, UNPUBLISHED DESIGN CREATED BY CLAYTON SIGNS, INC. IT IS NOT TO BE REPRODUCED, CHANGED, OR EXHIBITED TO ANYONE OUTSIDE OF YOUR COMPANY IN WHOLE OR IN PART WITHOUT WRITTEN PERMISSION FROM THE OWNER OF CLAYTON SIGNS, INC. ANY SUCH ACTIONS MAY BE SUBJECT TO LEGAL ACTION IN A COURT OF LAW.
©2024 ALL RIGHTS RESERVED

LOCATION
M

SPECIFICATIONS

SIGN PANELS

PANELS ARE .080 ALUMINUM WITH REFLECTIVE BACKGROUND AND GRAPHICS.

SIGN POSTS

POSTS ARE 2" x 2" SQUARE ALUMINUM TUBING CAPPED ON TOP



SIGN PANEL

3M #680-82 REFLECTIVE RED.



SIGN PANEL

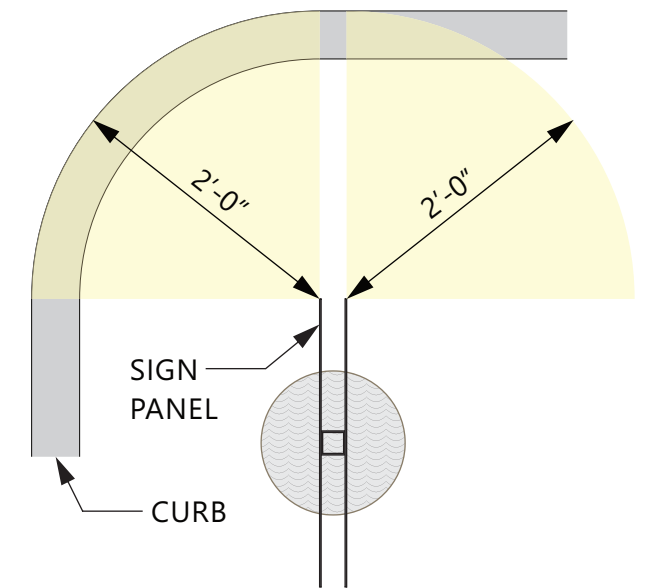
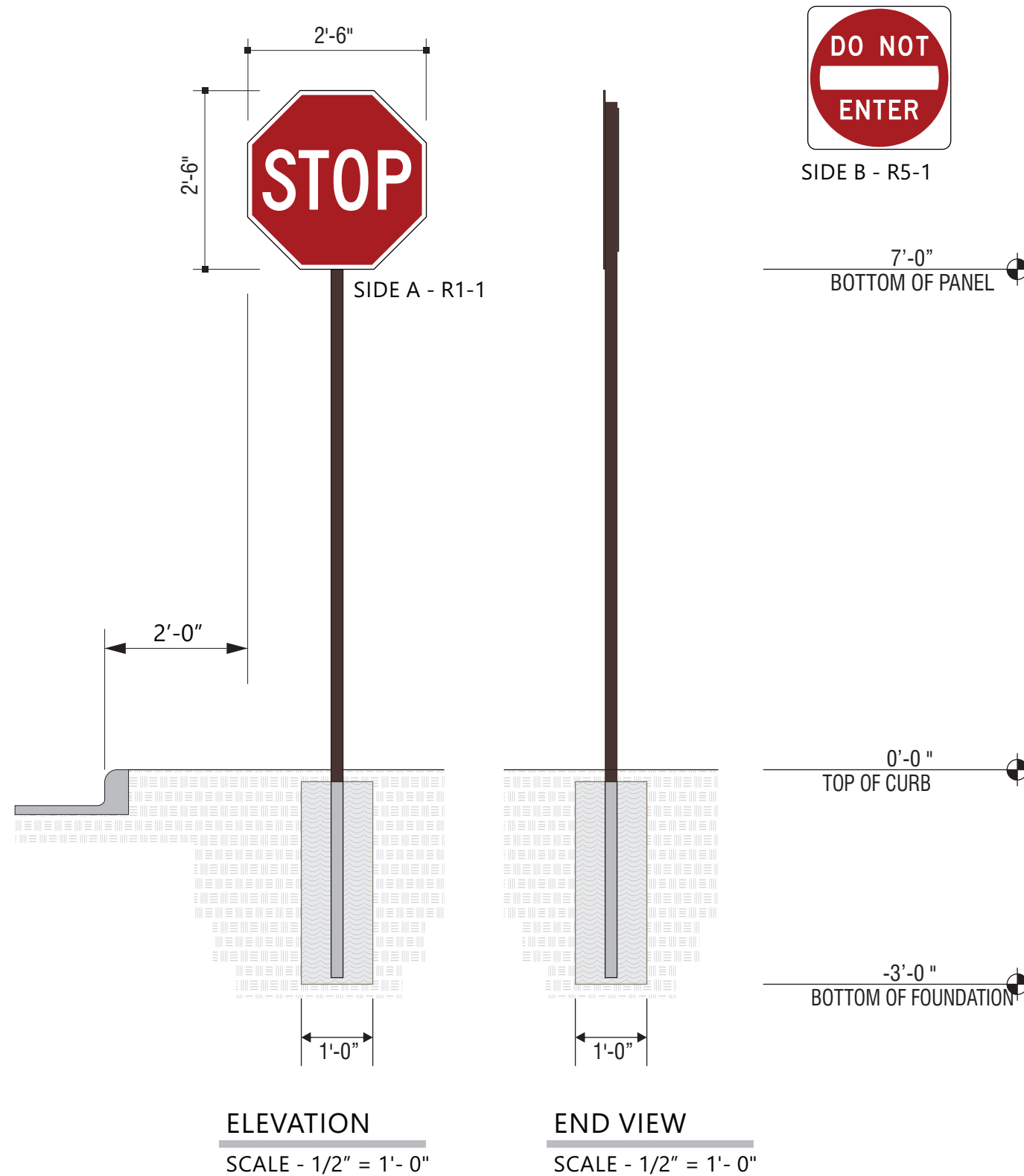
3M #680-10 REFLECTIVE WHITE



BACK OF SIGN PANEL AND POST

MP 20181 DARK BRONZE

SW #DDM460012



5198 North Lake Drive
Lake City, GA 30260
404.361.3800
www.claytonsigns.com

DOT REGULATORY TRAFFIC SIGNS

DRAWING FILE - CFA - NAPERVILLE, IL (59 & LACROSSE) SIGNAGE.CDR

ALL ELECTRICAL
SIGNS ARE
120 VOLTS
UNLESS
OTHERWISE INDICATED

DRAWN BY Ben Holliday
ACCOUNT REP. Ben Holliday
DRAWING DATE January 24, 2024
REVISION DATE July 2, 2024

STORE NUMBER	STORE ADDRESS
L05844	Chick-fil-A at Naperville, IL (59 & Lacrosse) 3320 Route 59 Naperville, IL 60564

THIS DRAWING IS AN ORIGINAL, UNPUBLISHED DESIGN CREATED BY CLAYTON SIGNS, INC. IT IS NOT TO BE REPRODUCED, CHANGED, OR EXHIBITED TO ANYONE OUTSIDE OF YOUR COMPANY IN WHOLE OR IN PART WITHOUT WRITTEN PERMISSION FROM THE OWNER OF CLAYTON SIGNS, INC. ANY SUCH ACTIONS MAY BE SUBJECT TO LEGAL ACTION IN A COURT OF LAW.
©2024 ALL RIGHTS RESERVED

LOCATION

N

SPECIFICATIONS

SIGN PANELS

PANELS ARE .080 ALUMINUM WITH REFLECTIVE BACKGROUND AND GRAPHICS.

SIGN POSTS

POSTS ARE 2" x 2" SQUARE ALUMINUM TUBING CAPPED ON TOP



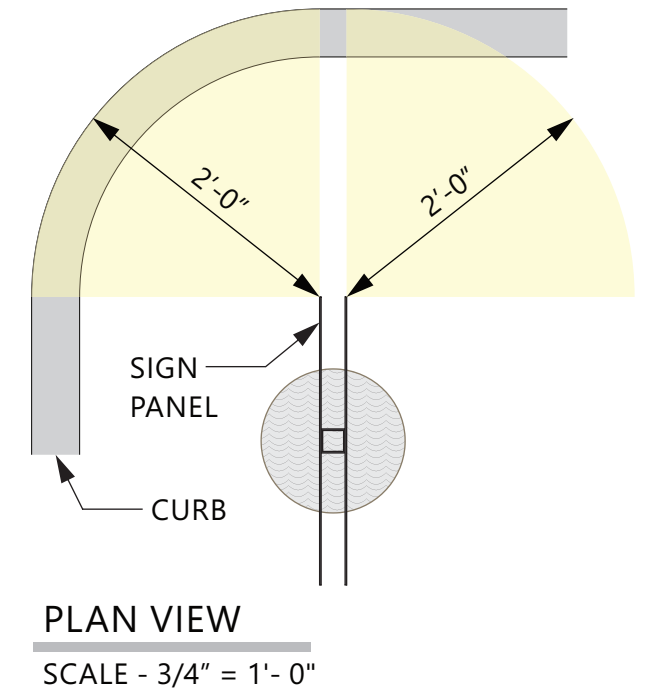
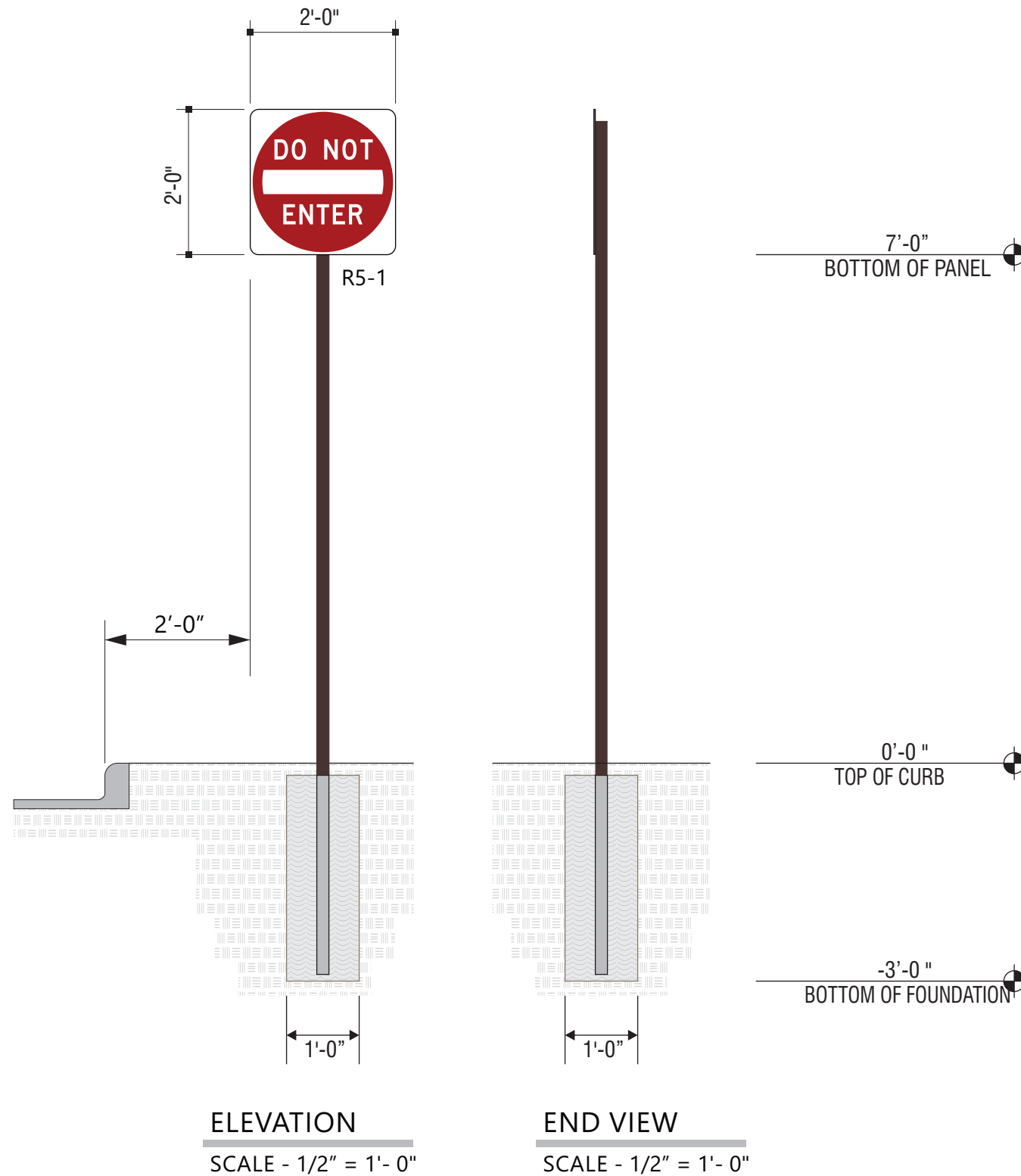
SIGN PANEL
3M #680-82 REFLECTIVE RED.



SIGN PANEL
3M #680-10 REFLECTIVE WHITE



BACK OF SIGN PANEL AND POST
MP 20181 DARK BRONZE
SW #DDM460012



5198 North Lake Drive
Lake City, GA 30260
404.361.3800
www.claytonsigns.com

DOT REGULATORY TRAFFIC SIGNS

DRAWING FILE - CFA - NAPERVILLE, IL (59 & LACROSSE) SIGNAGE.CDR

ALL ELECTRICAL SIGNS ARE 120 VOLTS UNLESS OTHERWISE INDICATED

DRAWN BY Ben Holliday
ACCOUNT REP. Ben Holliday
DRAWING DATE January 24, 2024
REVISION DATE July 2, 2024

STORE NUMBER	STORE ADDRESS
L05844	Chick-fil-A at Naperville, IL (59 & Lacrosse) 3320 Route 59 Naperville, IL 60564

THIS DRAWING IS AN ORIGINAL, UNPUBLISHED DESIGN CREATED BY CLAYTON SIGNS, INC. IT IS NOT TO BE REPRODUCED, CHANGED, OR EXHIBITED TO ANYONE OUTSIDE OF YOUR COMPANY IN WHOLE OR IN PART WITHOUT WRITTEN PERMISSION FROM THE OWNER OF CLAYTON SIGNS, INC. ANY SUCH ACTIONS MAY BE SUBJECT TO LEGAL ACTION IN A COURT OF LAW.
©2024 ALL RIGHTS RESERVED

LOCATION



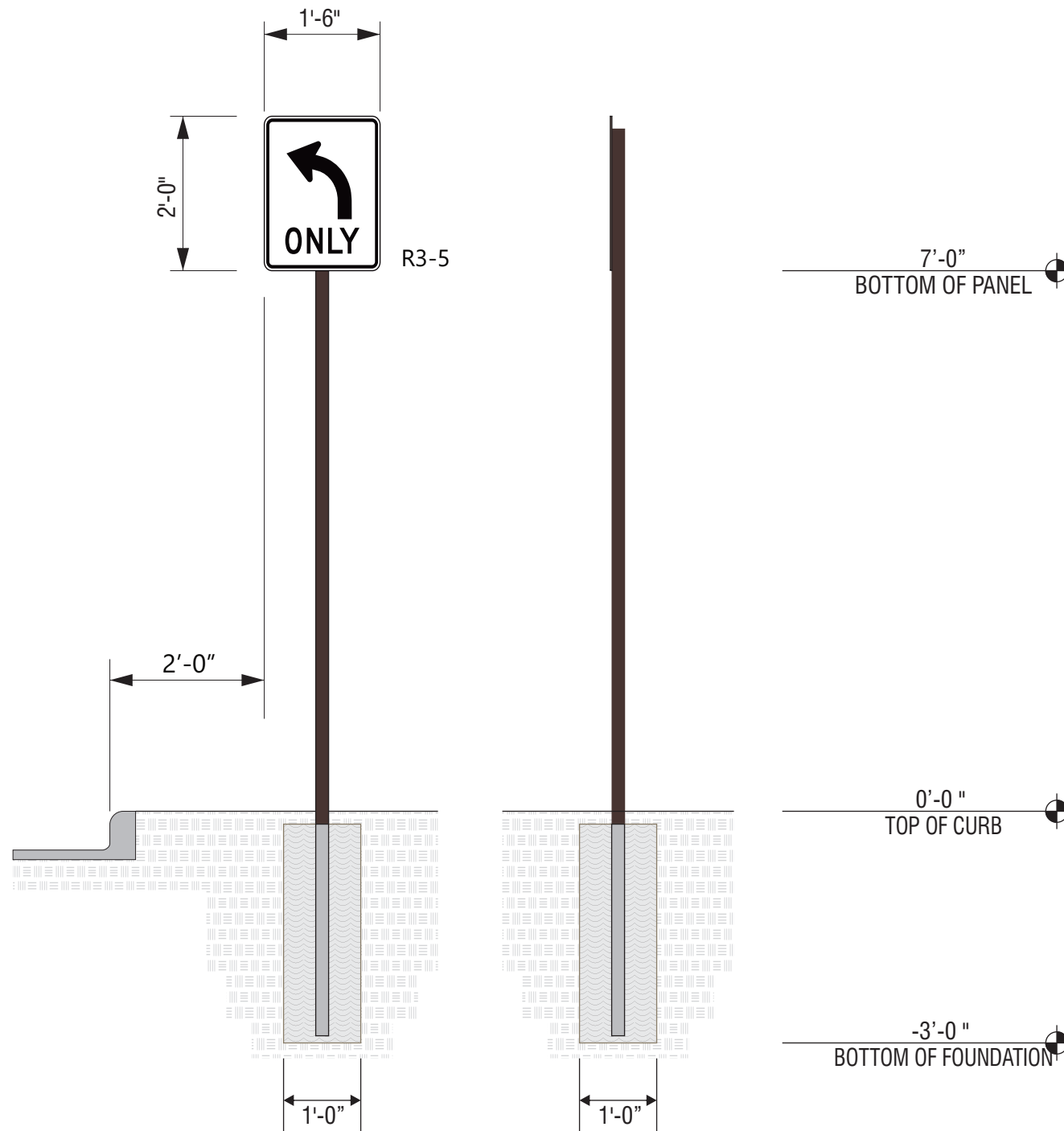
SPECIFICATIONS

SIGN PANELS

PANELS ARE .080 ALUMINUM WITH REFLECTIVE BACKGROUND AND GRAPHICS.

SIGN POSTS

POSTS ARE 2" x 2" SQUARE ALUMINUM TUBING CAPPED ON TOP

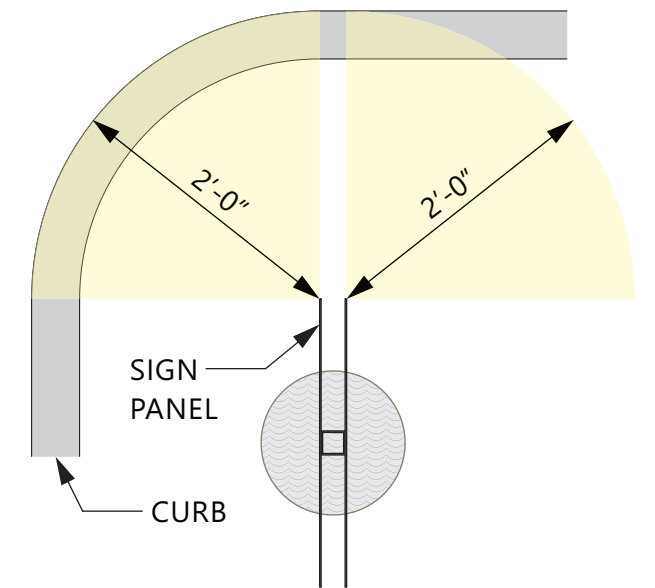


ELEVATION

SCALE - 1/2" = 1'- 0"

END VIEW

SCALE - 1/2" = 1'- 0"



PLAN VIEW

SCALE - 3/4" = 1'- 0"

SIGN PANEL

3M #680-10 REFLECTIVE WHITE

BACK OF SIGN PANEL AND POST

MP 20181 DARK BRONZE

SW #DDM460012

SIGN PANEL (IF SHOWN)

BLACK REFLECTIVE



5198 North Lake Drive
Lake City, GA 30260
404.361.3800
www.claytonsigns.com

DOT REGULATORY TRAFFIC SIGNS

DRAWING FILE - CFA - NAPERVILLE, IL (59 & LACROSSE) SIGNAGE.CDR

ALL ELECTRICAL SIGNS ARE 120 VOLTS UNLESS OTHERWISE INDICATED

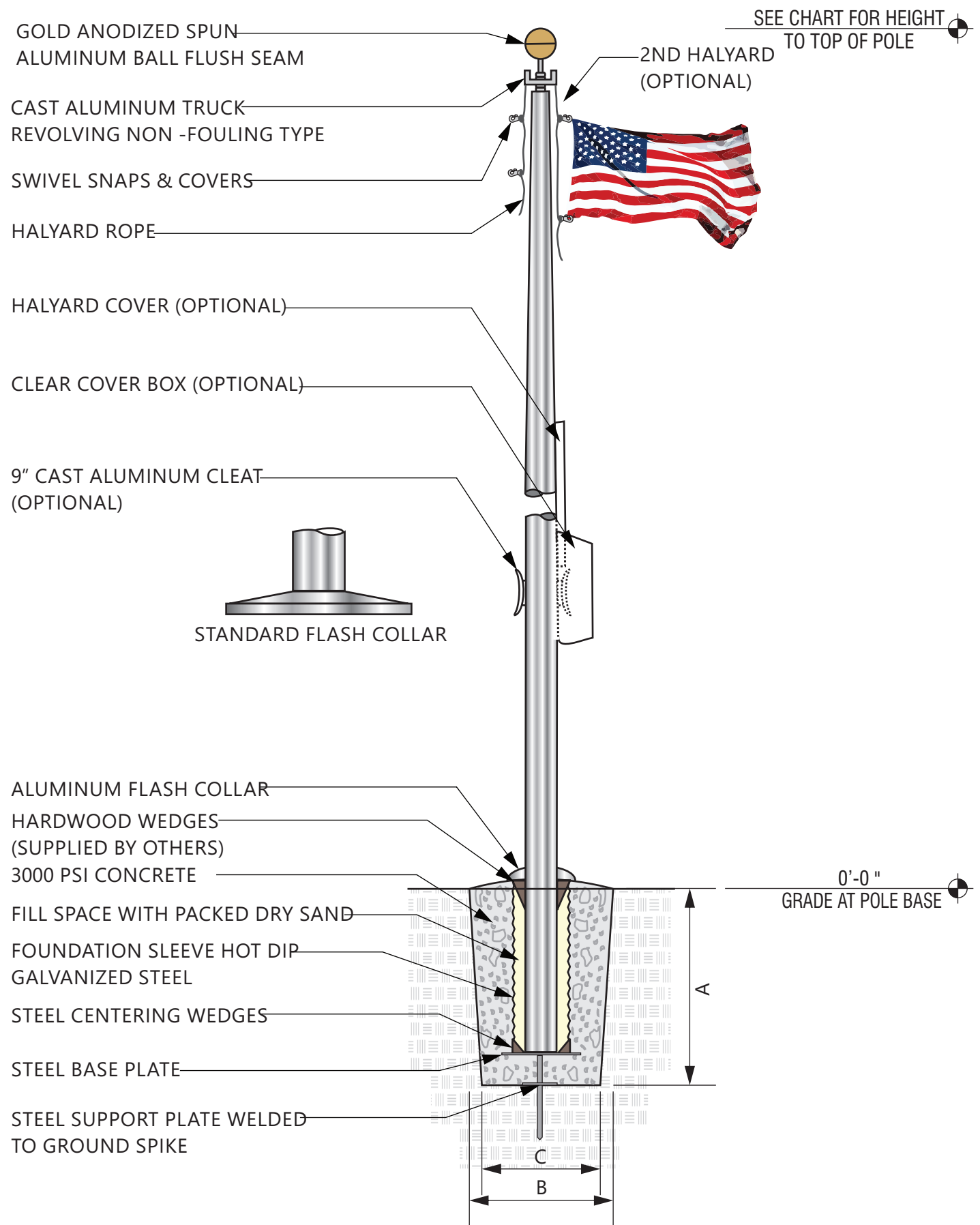
DRAWN BY Ben Holliday
ACCOUNT REP. Ben Holliday
DRAWING DATE January 24, 2024
REVISION DATE July 2, 2024

STORE NUMBER	STORE ADDRESS
L05844	Chick-fil-A at Naperville, IL (59 & Lacrosse) 3320 Route 59 Naperville, IL 60564

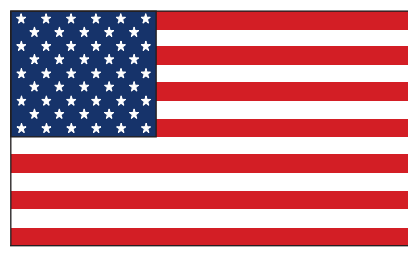
THIS DRAWING IS AN ORIGINAL, UNPUBLISHED DESIGN CREATED BY CLAYTON SIGNS, INC. IT IS NOT TO BE REPRODUCED, CHANGED, OR EXHIBITED TO ANYONE OUTSIDE OF YOUR COMPANY IN WHOLE OR IN PART WITHOUT WRITTEN PERMISSION FROM THE OWNER OF CLAYTON SIGNS, INC. ANY SUCH ACTIONS MAY BE SUBJECT TO LEGAL ACTION IN A COURT OF LAW.
©2024 ALL RIGHTS RESERVED

LOCATION

P



SEE CHART FOR HEIGHT TO TOP OF POLE



FLAG SIZES

POLE	A	B	MATERIAL
20'	3'0"	5'0"	POLYESTER
25'	4'0"	6'0"	POLYESTER
30'	5'0"	8'0"	POLYESTER
35'	6'0"	10'0"	POLYESTER
40'	8'0"	12'0"	POLYESTER
45'	8'0"	12'0"	POLYESTER
50'	12'0"	18'0"	POLYESTER

FOUNDATION SIZES

HEIGHT	A	B	C
20'	3'6"	30"	24"
25'	3'6"	30"	24"
30'	3'6"	30"	24"
35'	4'0"	36"	30"
40'	4'6"	42"	36"
45'	5'0"	48"	42"
50'	5'6"	48"	42"

**GROUND SLEEVE AND CONCRETE INSTALLED BY THE GENERAL CONTRACTOR
POLE INSTALLED ON PRE-INSTALLED GROUND SLEEVE BY SIGN CONTRACTOR**



5198 North Lake Drive
Lake City, GA 30260
404.361.3800
www.claytonsigns.com

FLAG POLE

DRAWING FILE - CFA - NAPERVILLE, IL (59 & LACROSSE) SIGNAGE.CDR

ALL ELECTRICAL SIGNS ARE 120 VOLTS UNLESS OTHERWISE INDICATED

DRAWN BY Ben Holliday
ACCOUNT REP. Ben Holliday
DRAWING DATE January 24, 2024
REVISION DATE July 2, 2024

STORE NUMBER	STORE ADDRESS
L05844	Chick-fil-A at Naperville, IL (59 & Lacrosse) 3320 Route 59 Naperville, IL 60564

THIS DRAWING IS AN ORIGINAL, UNPUBLISHED DESIGN CREATED BY CLAYTON SIGNS, INC. IT IS NOT TO BE REPRODUCED, CHANGED, OR EXHIBITED TO ANYONE OUTSIDE OF YOUR COMPANY IN WHOLE OR IN PART WITHOUT WRITTEN PERMISSION FROM THE OWNER OF CLAYTON SIGNS, INC. ANY SUCH ACTIONS MAY BE SUBJECT TO LEGAL ACTION IN A COURT OF LAW.
©2024 ALL RIGHTS RESERVED


**LOCATION
FP**

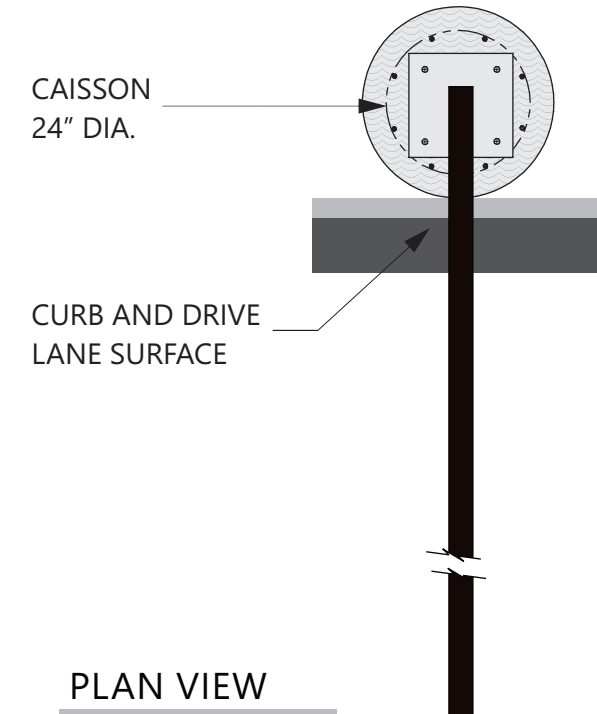
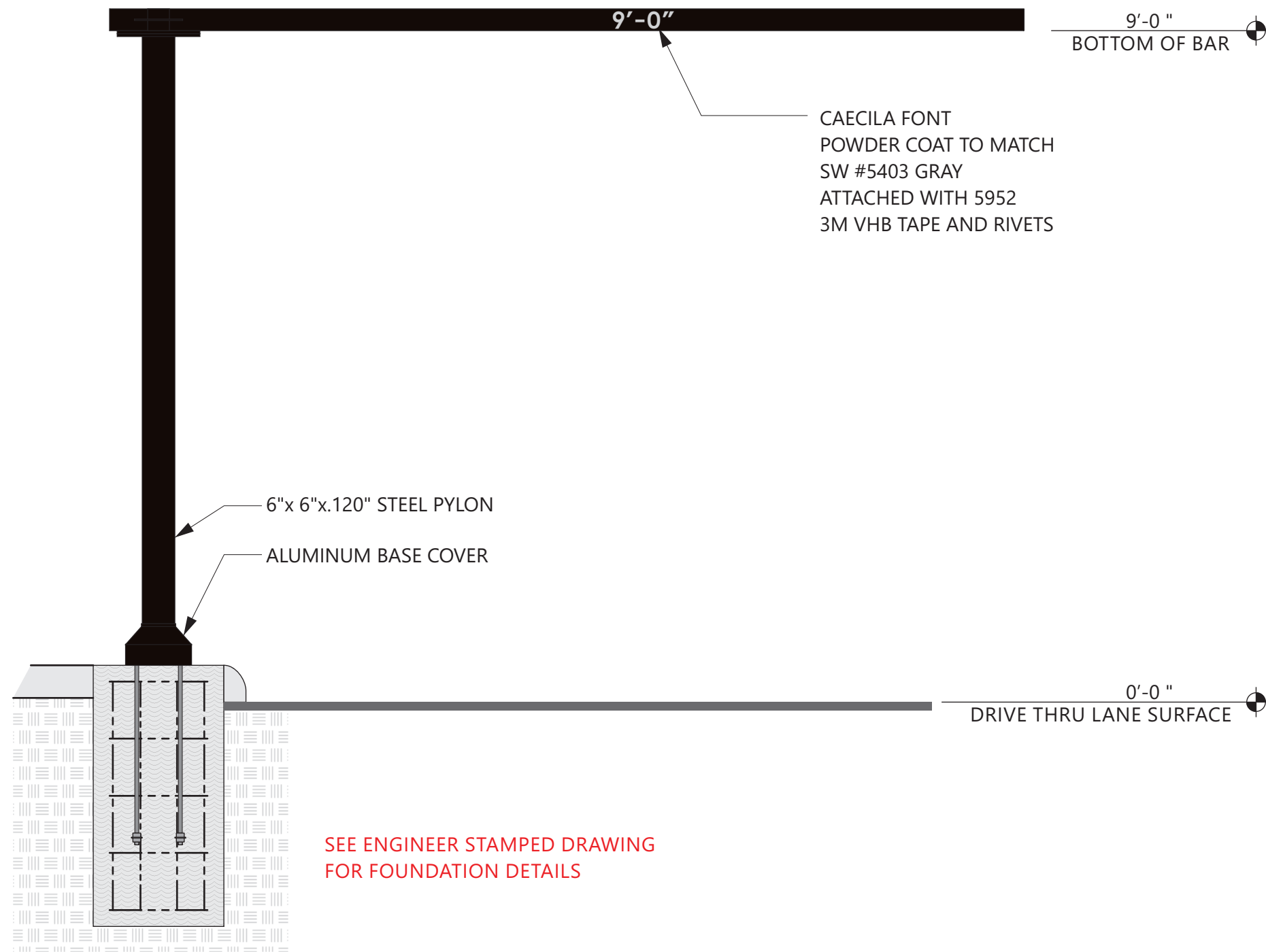
SPECIFICATIONS

CLEARANCE BAR

COLORS


MATTE BLACK TEXTURED


SHERWIN WILLIAMS
SW 5403 GRAY



5198 North Lake Drive
Lake City, GA 30260
404.361.3800
www.claytonsigns.com

**DRIVE-THRU
CLEARANCE BAR**

DRAWING FILE - CFA - NAPERVILLE, IL (59 & LACROSSE) SIGNAGE.CDR

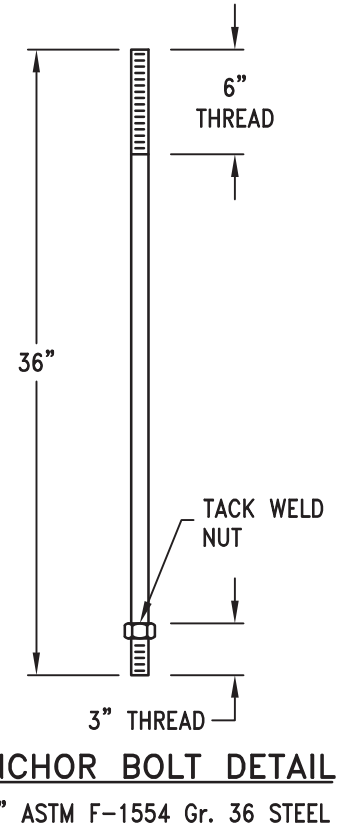
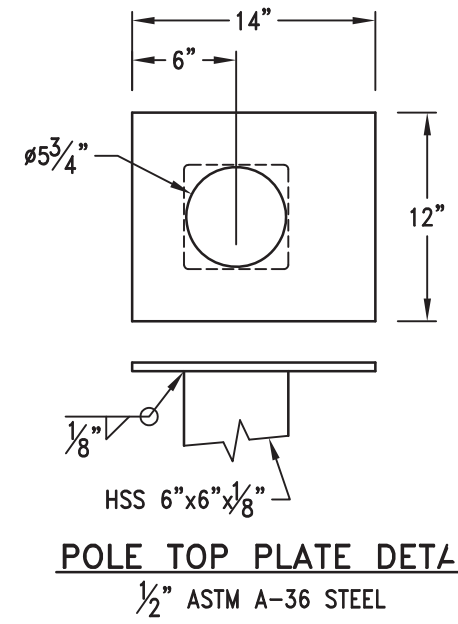
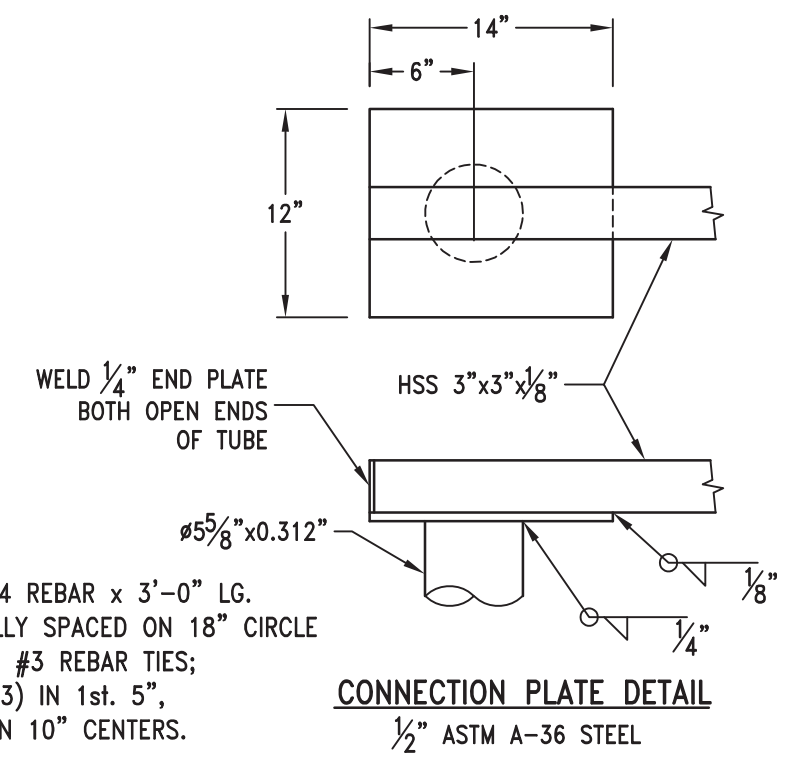
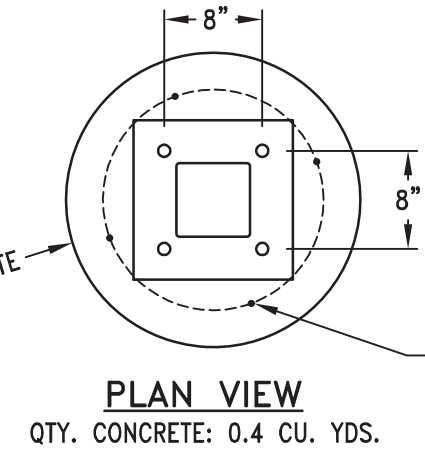
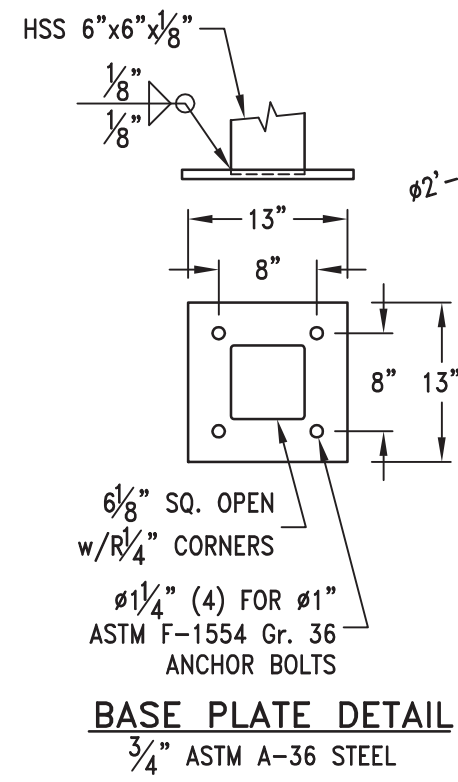
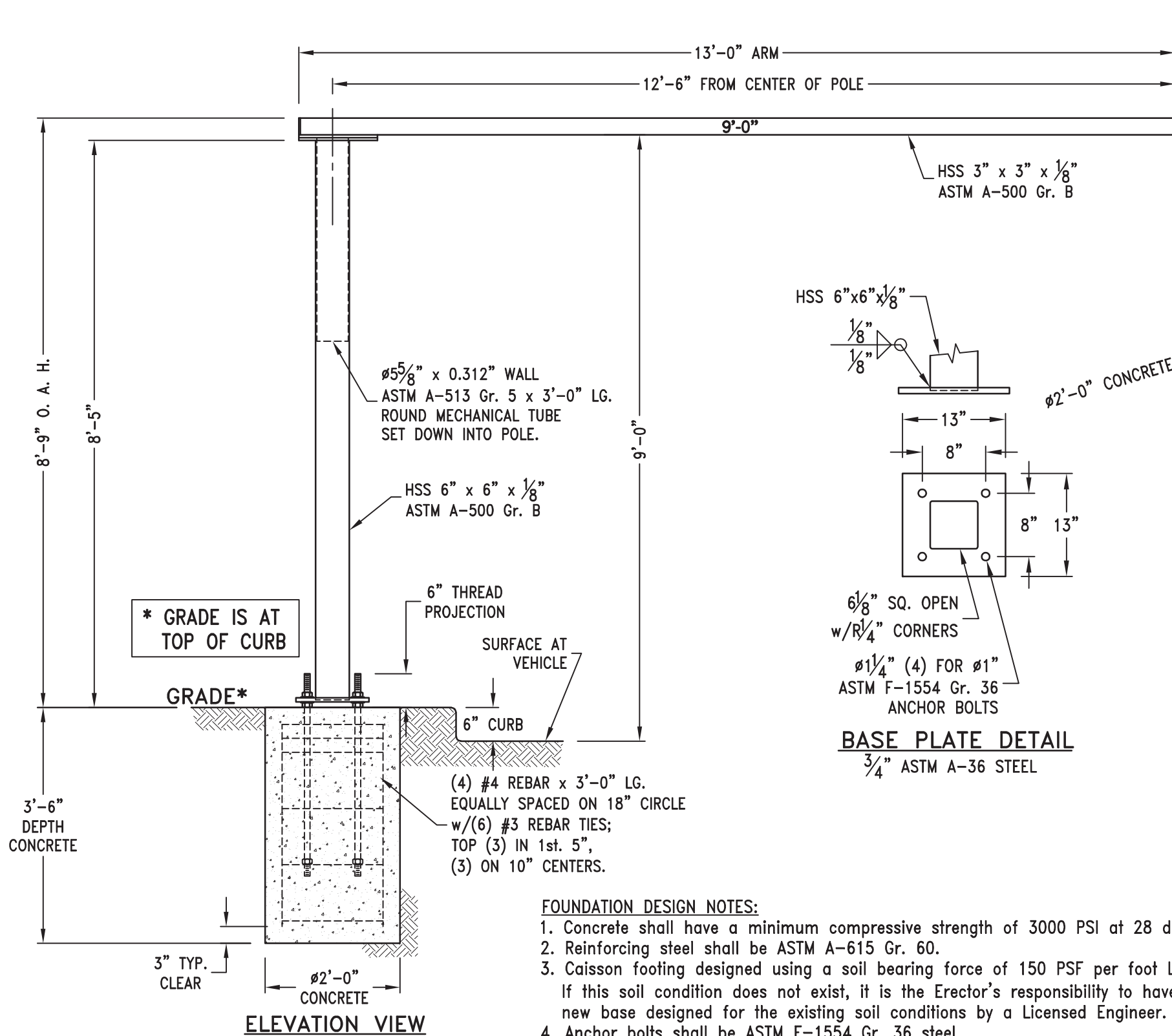
ALL ELECTRICAL
SIGNS ARE
120 VOLTS
UNLESS
OTHERWISE INDICATED

DRAWN BY Ben Holliday
ACCOUNT REP. Ben Holliday
DRAWING DATE January 24, 2024
REVISION DATE July 2, 2024

STORE NUMBER	STORE ADDRESS
L05844	Chick-fil-A at Naperville, IL (59 & Lacrosse) 3320 Route 59 Naperville, IL 60564

THIS DRAWING IS AN ORIGINAL, UNPUBLISHED DESIGN CREATED BY CLAYTON SIGNS, INC. IT IS NOT TO BE REPRODUCED, CHANGED, OR EXHIBITED TO ANYONE OUTSIDE OF YOUR COMPANY IN WHOLE OR IN PART WITHOUT WRITTEN PERMISSION FROM THE OWNER OF CLAYTON SIGNS, INC. ANY SUCH ACTIONS MAY BE SUBJECT TO LEGAL ACTION IN A COURT OF LAW.
©2024 ALL RIGHTS RESERVED

**LOCATION
CB-1**



- FOUNDATION DESIGN NOTES:**
1. Concrete shall have a minimum compressive strength of 3000 PSI at 28 days.
 2. Reinforcing steel shall be ASTM A-615 Gr. 60.
 3. Caisson footing designed using a soil bearing force of 150 PSF per foot Lateral. If this soil condition does not exist, it is the Erector's responsibility to have a new base designed for the existing soil conditions by a Licensed Engineer.
 4. Anchor bolts shall be ASTM F-1554 Gr. 36 steel.



5198 North Lake Drive
Lake City, GA 30260
404.361.3800
www.claytonsigns.com

**DRIVE-THRU
CLEARANCE BAR**

DRAWING FILE - CFA - NAPERVILLE, IL (59 & LACROSSE) SIGNAGE.CDR

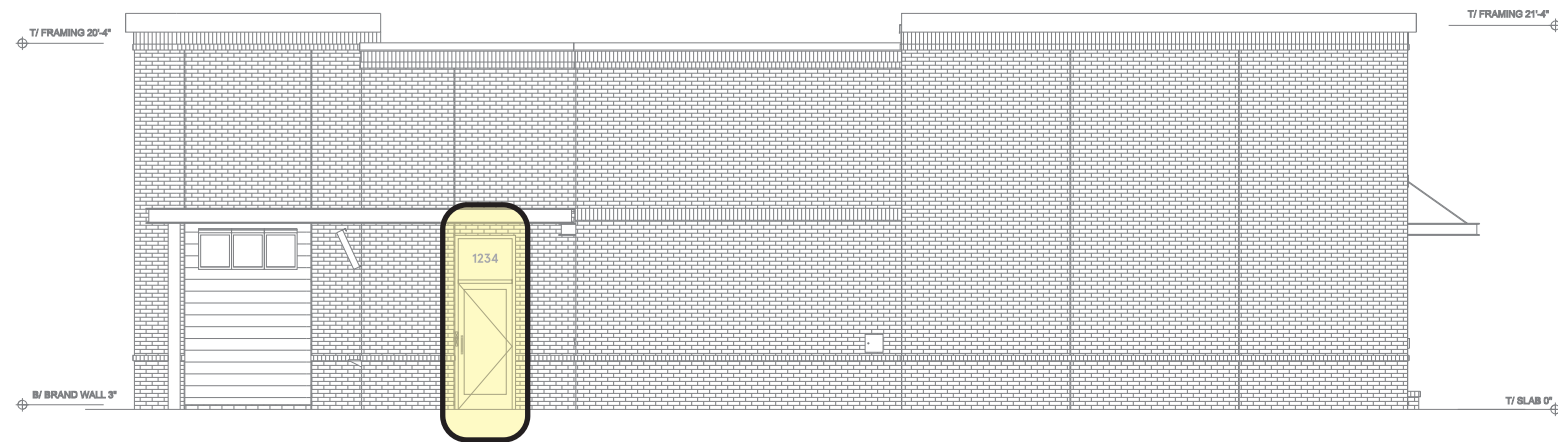
ALL ELECTRICAL
SIGNS ARE
120 VOLTS
UNLESS
OTHERWISE INDICATED

DRAWN BY Ben Holliday
ACCOUNT REP. Ben Holliday
DRAWING DATE January 24, 2024
REVISION DATE July 2, 2024

STORE NUMBER	STORE ADDRESS
L05844	Chick-fil-A at Naperville, IL (59 & Lacrosse) 3320 Route 59 Naperville, IL 60564

THIS DRAWING IS AN ORIGINAL, UNPUBLISHED DESIGN CREATED BY CLAYTON SIGNS, INC. IT IS NOT TO BE REPRODUCED, CHANGED, OR EXHIBITED TO ANYONE OUTSIDE OF YOUR COMPANY IN WHOLE OR IN PART WITHOUT WRITTEN PERMISSION FROM THE OWNER OF CLAYTON SIGNS, INC. ANY SUCH ACTIONS MAY BE SUBJECT TO LEGAL ACTION IN A COURT OF LAW.
©2024 ALL RIGHTS RESERVED

**LOCATION
CB-1**



8" **1234**

8" TALL ADDRESS NUMBERS
 ARE 3M #7725-10 OPAQUE WHITE
 VINYL FILM APPLIED TO
 EXTERIOR SURFACE OF GLASS.
 (SHOWN IN GREY FOR
 ILLUSTRATION)
 APERCU BOLD FONT

**VERIFY ADDRESS BEFORE
 MAKING NUMBERS**

ELEVATION
 NOT TO SCALE



5198 North Lake Drive
 Lake City, GA 30260
 404.361.3800
 www.claytonsigns.com

WINDOW GRAPHICS

DRAWING FILE - CFA - NAPERVILLE, IL (59 & LACROSSE) SIGNAGE.CDR

ALL ELECTRICAL
 SIGNS ARE
 120 VOLTS
 UNLESS
 OTHERWISE INDICATED

DRAWN BY Ben Holliday
 ACCOUNT REP. Ben Holliday
 DRAWING DATE January 24, 2024
 REVISION DATE July 2, 2024

STORE NUMBER	STORE ADDRESS
L05844	Chick-fil-A at Naperville, IL (59 & Lacrosse) 3320 Route 59 Naperville, IL 60564

THIS DRAWING IS AN ORIGINAL, UNPUBLISHED DESIGN CREATED BY CLAYTON SIGNS, INC. IT IS NOT TO BE REPRODUCED, CHANGED, OR EXHIBITED TO ANYONE OUTSIDE OF YOUR COMPANY IN WHOLE OR IN PART WITHOUT WRITTEN PERMISSION FROM THE OWNER OF CLAYTON SIGNS, INC. ANY SUCH ACTIONS MAY BE SUBJECT TO LEGAL ACTION IN A COURT OF LAW.
 ©2024 ALL RIGHTS RESERVED

SPECIFICATIONS

.063" ALUMINUM PANEL DECORATED WITH VINYL FILM GRAPHICS AND ADHERED TO WINDOW WITH VHB DOUBLE-STICK TAPE.



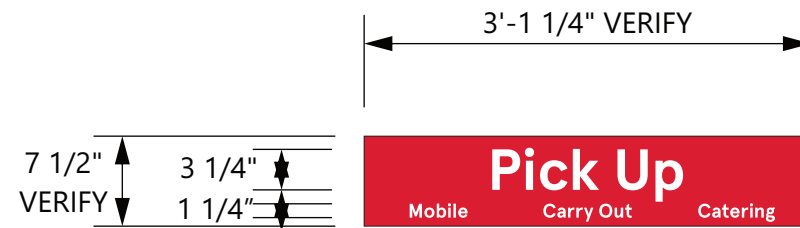
GENESIS M SINGLE STAGE
(G2-SERIES) RED #48247



PAINTED MATTHEWS
#74155 DARK BRONZE, SEMI-GLOSS

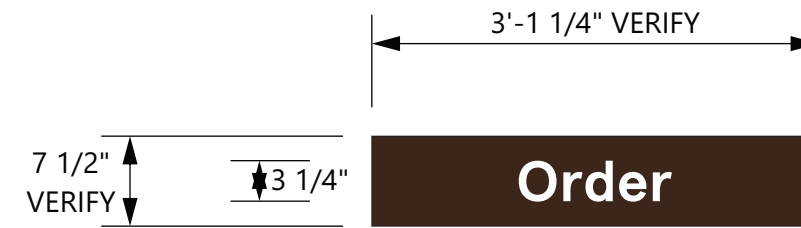


WHITE VINYL FILM



ELEVATION

SCALE - 3/4" = 1'- 0"



ELEVATION

SCALE - 3/4" = 1'- 0"



5198 North Lake Drive
Lake City, GA 30260
404.361.3800
www.claytonsigns.com

WINDOW GRAPHICS

DRAWING FILE - CFA - NAPERVILLE, IL (59 & LACROSSE) SIGNAGE.CDR

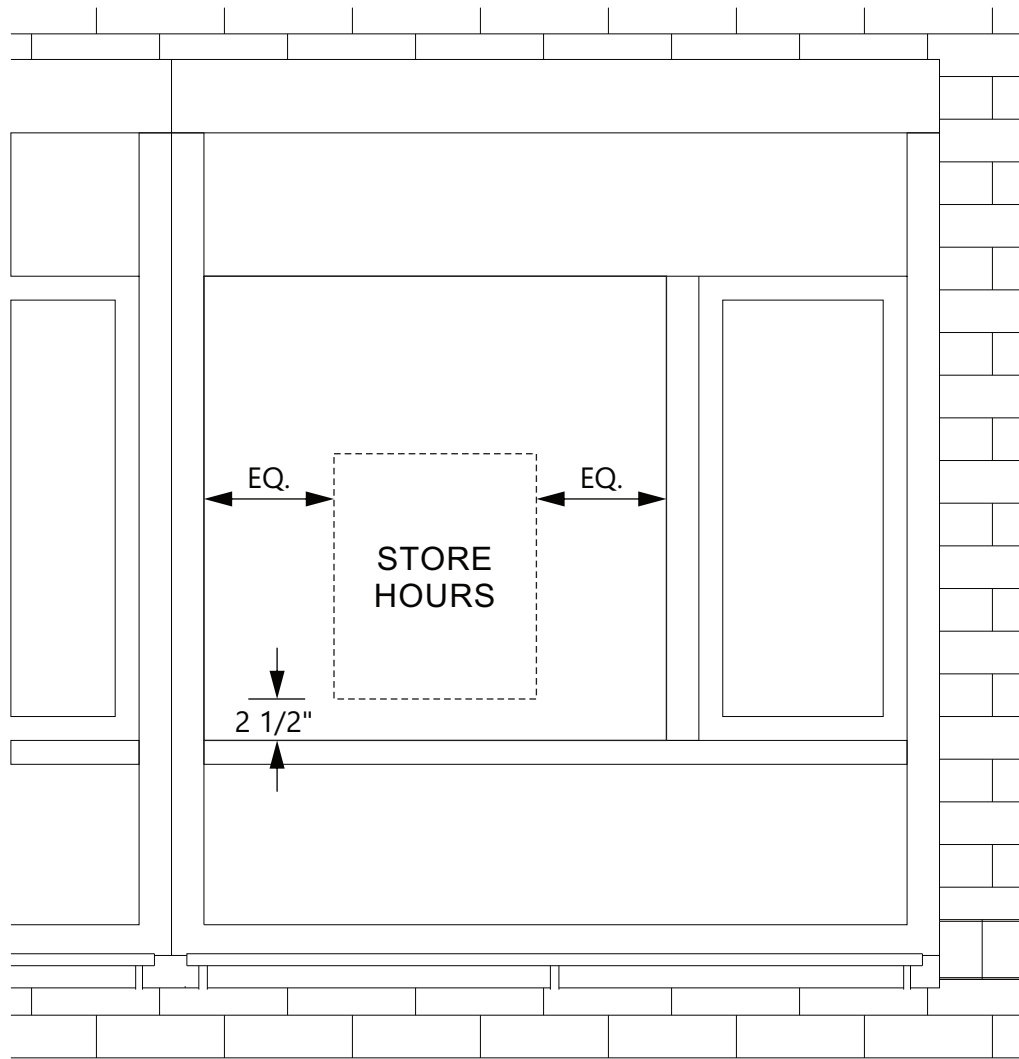
ALL ELECTRICAL
SIGNS ARE
120 VOLTS
UNLESS
OTHERWISE INDICATED

DRAWN BY Ben Holliday
ACCOUNT REP. Ben Holliday
DRAWING DATE January 24, 2024
REVISION DATE July 2, 2024

STORE NUMBER	STORE ADDRESS
L05844	Chick-fil-A at Naperville, IL (59 & Lacrosse) 3320 Route 59 Naperville, IL 60564

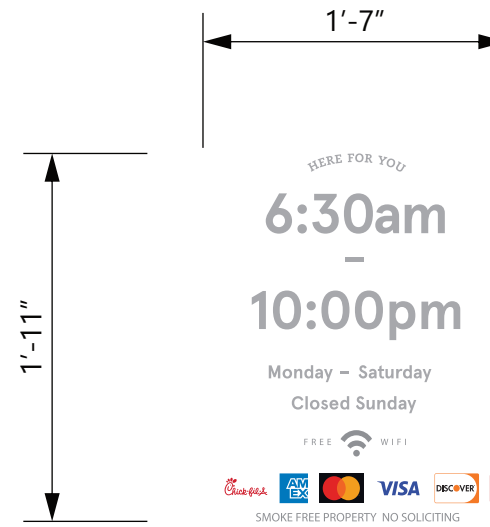
THIS DRAWING IS AN ORIGINAL, UNPUBLISHED DESIGN CREATED BY CLAYTON SIGNS, INC. IT IS NOT TO BE REPRODUCED, CHANGED, OR EXHIBITED TO ANYONE OUTSIDE OF YOUR COMPANY IN WHOLE OR IN PART WITHOUT WRITTEN PERMISSION FROM THE OWNER OF CLAYTON SIGNS, INC. ANY SUCH ACTIONS MAY BE SUBJECT TO LEGAL ACTION IN A COURT OF LAW.

©2024 ALL RIGHTS RESERVED



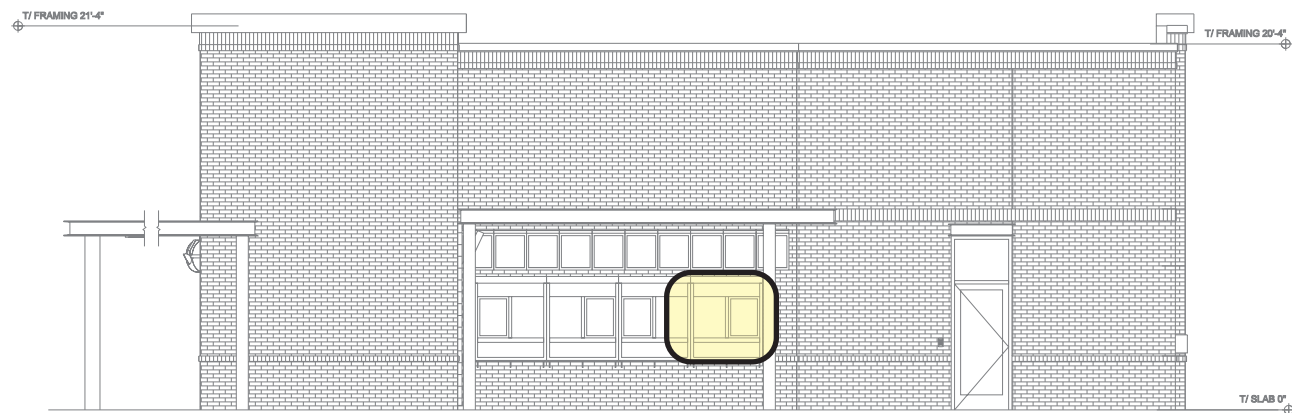
ELEVATION

SCALE - 1" = 1'- 0"



ELEVATION

SCALE - 1 1/2" = 1'- 0"



LETTERING IS 3M #7725-10 OPAQUE WHITE VINYL FILM (SHOWN IN GREY FOR ILLUSTRATION)
 CREDIT CARD LOGOS ARE INDIVIDUAL PRINTED DECALS ON CLEAR FILM.
 ALL GRAPHICS ARE APPLIED TO EXTERIOR SURFACE OF GLASS.
 STORE HOURS MAY BE DIFFERENT PER STORE.
 SUNDAY HAS RED VINYL FILM STRIKE THROUGH ON IT.
PROVIDE EXTRA 6:00 PER EACH SET.



5198 North Lake Drive
 Lake City, GA 30260
 404.361.3800
 www.claytonsigns.com

WINDOW GRAPHICS

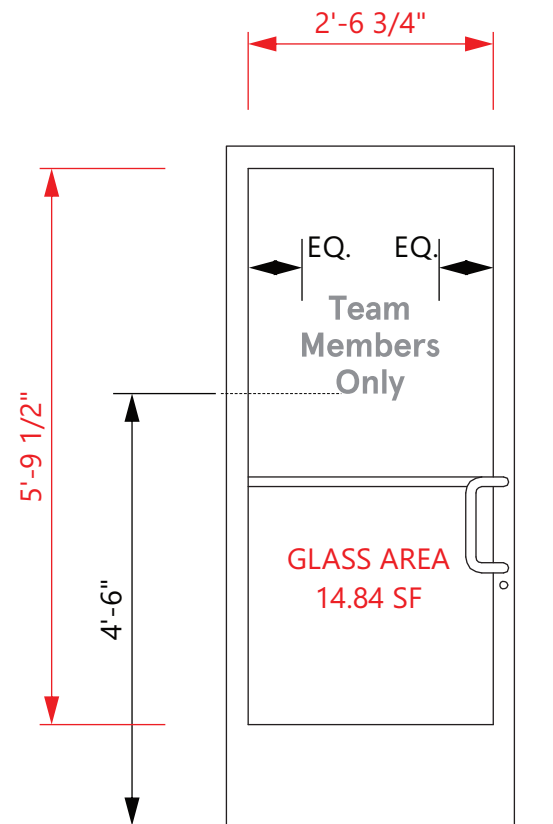
DRAWING FILE - CFA - NAPERVILLE, IL (59 & LACROSSE) SIGNAGE.CDR

ALL ELECTRICAL SIGNS ARE 120 VOLTS UNLESS OTHERWISE INDICATED

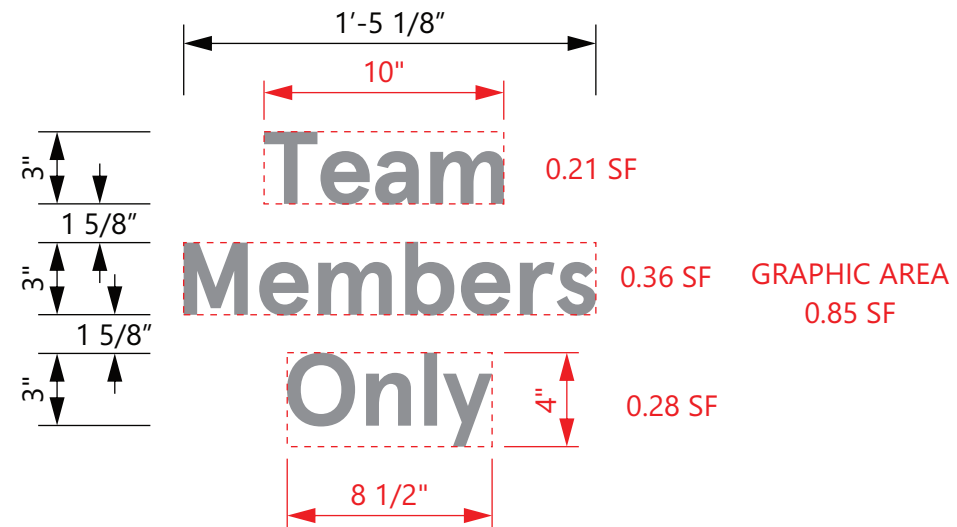
DRAWN BY Ben Holliday
 ACCOUNT REP. Ben Holliday
 DRAWING DATE January 24, 2024
 REVISION DATE July 2, 2024

STORE NUMBER	STORE ADDRESS
L05844	Chick-fil-A at Naperville, IL (59 & Lacrosse) 3320 Route 59 Naperville, IL 60564

THIS DRAWING IS AN ORIGINAL, UNPUBLISHED DESIGN CREATED BY CLAYTON SIGNS, INC. IT IS NOT TO BE REPRODUCED, CHANGED, OR EXHIBITED TO ANYONE OUTSIDE OF YOUR COMPANY IN WHOLE OR IN PART WITHOUT WRITTEN PERMISSION FROM THE OWNER OF CLAYTON SIGNS, INC. ANY SUCH ACTIONS MAY BE SUBJECT TO LEGAL ACTION IN A COURT OF LAW.
 ©2024 ALL RIGHTS RESERVED

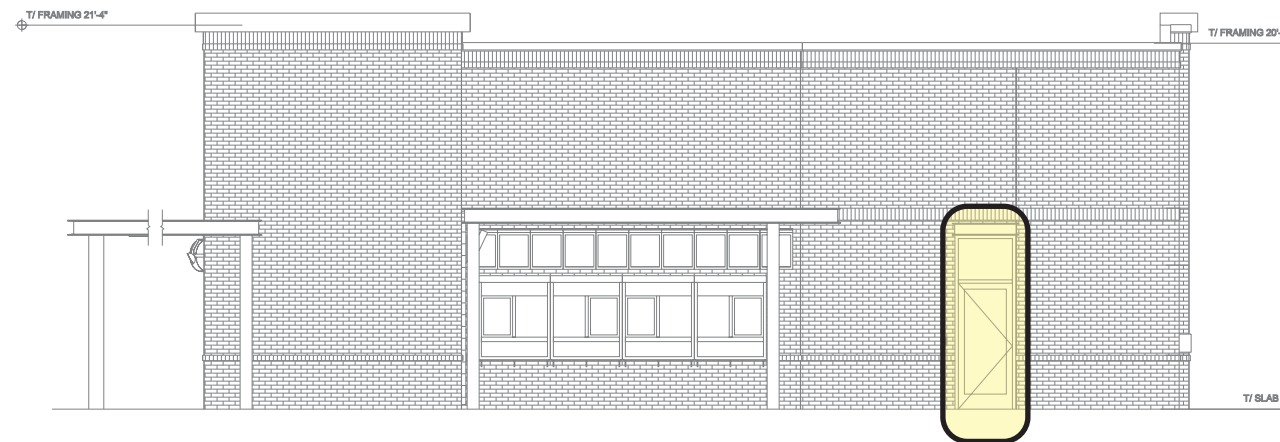


ELEVATION
SCALE - 1/2" = 1'- 0"



ELEVATION
SCALE - 1 1/2" = 1'- 0"

LETTERING IS 3M 7725-10
OPAQUE WHITE APPLIED VINYL
ALL GRAPHICS ARE APPLIED TO
EXTERIOR SURFACE OF GLASS.
(SHOWN IN GREY FOR ILLUSTRATION
PURPOSES ONLY)



5198 North Lake Drive
Lake City, GA 30260
404.361.3800
www.claytonsigns.com

WINDOW GRAPHICS

DRAWING FILE - CFA - NAPERVILLE, IL (59 & LACROSSE) SIGNAGE.CDR

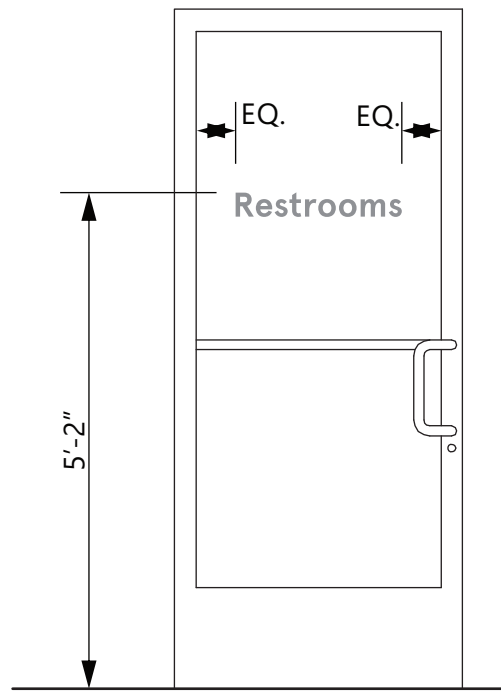
ALL ELECTRICAL
SIGNS ARE
120 VOLTS
UNLESS
OTHERWISE INDICATED

DRAWN BY Ben Holliday
ACCOUNT REP. Ben Holliday
DRAWING DATE January 24, 2024
REVISION DATE July 2, 2024

STORE NUMBER	STORE ADDRESS
L05844	Chick-fil-A at Naperville, IL (59 & Lacrosse) 3320 Route 59 Naperville, IL 60564

THIS DRAWING IS AN ORIGINAL, UNPUBLISHED DESIGN CREATED BY CLAYTON SIGNS, INC. IT IS NOT TO BE REPRODUCED, CHANGED, OR EXHIBITED TO ANYONE OUTSIDE OF YOUR COMPANY IN WHOLE OR IN PART WITHOUT WRITTEN PERMISSION FROM THE OWNER OF CLAYTON SIGNS, INC. ANY SUCH ACTIONS MAY BE SUBJECT TO LEGAL ACTION IN A COURT OF LAW.

©2024 ALL RIGHTS RESERVED

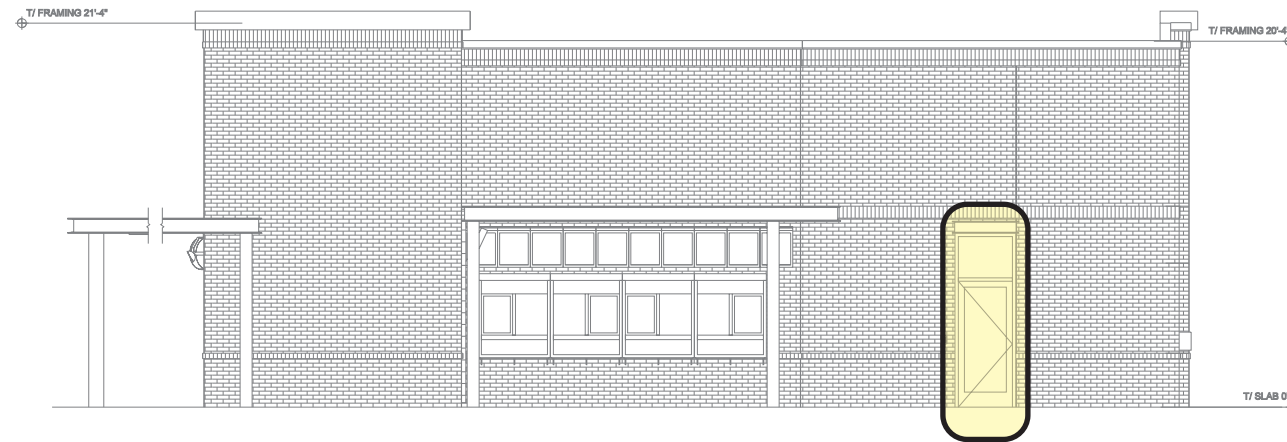


ELEVATION
SCALE - 1/2" = 1'- 0"



ELEVATION
SCALE - 1 1/2" = 1'- 0"

LETTERING IS 3M 7725-10
OPAQUE WHITE APPLIED VINYL
ALL GRAPHICS ARE APPLIED TO
EXTERIOR SURFACE OF GLASS.
(SHOWN IN GREY FOR ILLUSTRATION
PURPOSES ONLY)



5198 North Lake Drive
Lake City, GA 30260
404.361.3800
www.claytonsigns.com

WINDOW GRAPHICS

DRAWING FILE - CFA - NAPERVILLE, IL (59 & LACROSSE) SIGNAGE.CDR

ALL ELECTRICAL
SIGNS ARE
120 VOLTS
UNLESS
OTHERWISE INDICATED

DRAWN BY Ben Holliday
ACCOUNT REP. Ben Holliday
DRAWING DATE January 24, 2024
REVISION DATE July 2, 2024

STORE NUMBER	STORE ADDRESS
L05844	Chick-fil-A at Naperville, IL (59 & Lacrosse) 3320 Route 59 Naperville, IL 60564

THIS DRAWING IS AN ORIGINAL, UNPUBLISHED DESIGN CREATED BY CLAYTON SIGNS, INC. IT IS NOT TO BE REPRODUCED, CHANGED, OR EXHIBITED TO ANYONE OUTSIDE OF YOUR COMPANY IN WHOLE OR IN PART WITHOUT WRITTEN PERMISSION FROM THE OWNER OF CLAYTON SIGNS, INC. ANY SUCH ACTIONS MAY BE SUBJECT TO LEGAL ACTION IN A COURT OF LAW.

©2024 ALL RIGHTS RESERVED