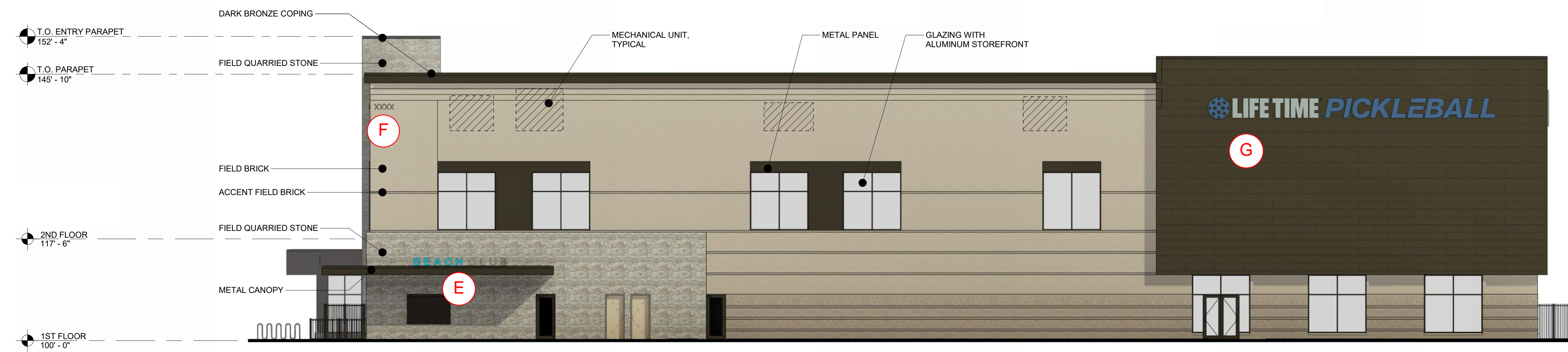


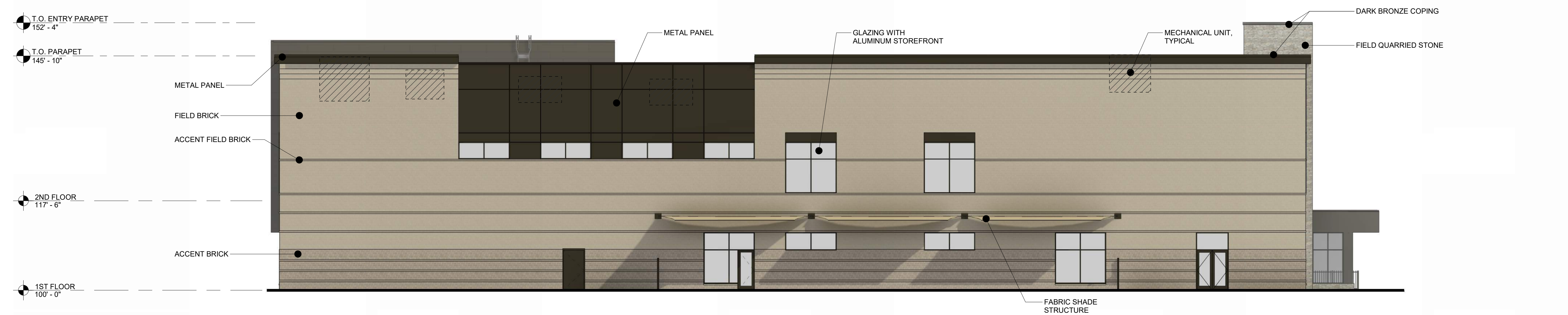
NAPERVILLE, IL E-BOX PLUS



4 EXTERIOR ELEVATION - WEST
3/32" = 1'-0"



3 EXTERIOR ELEVATION - SOUTH
3/32" = 1'-0"

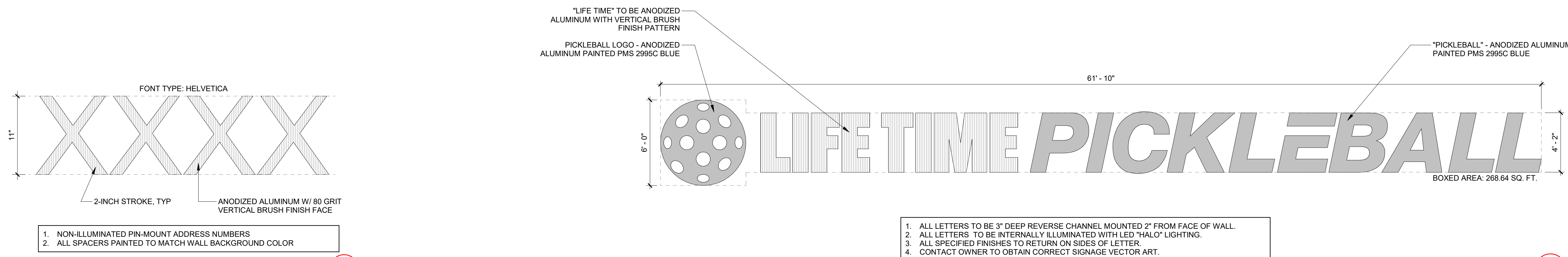


2 EXTERIOR ELEVATION - EAST
3/32" = 1'-0"



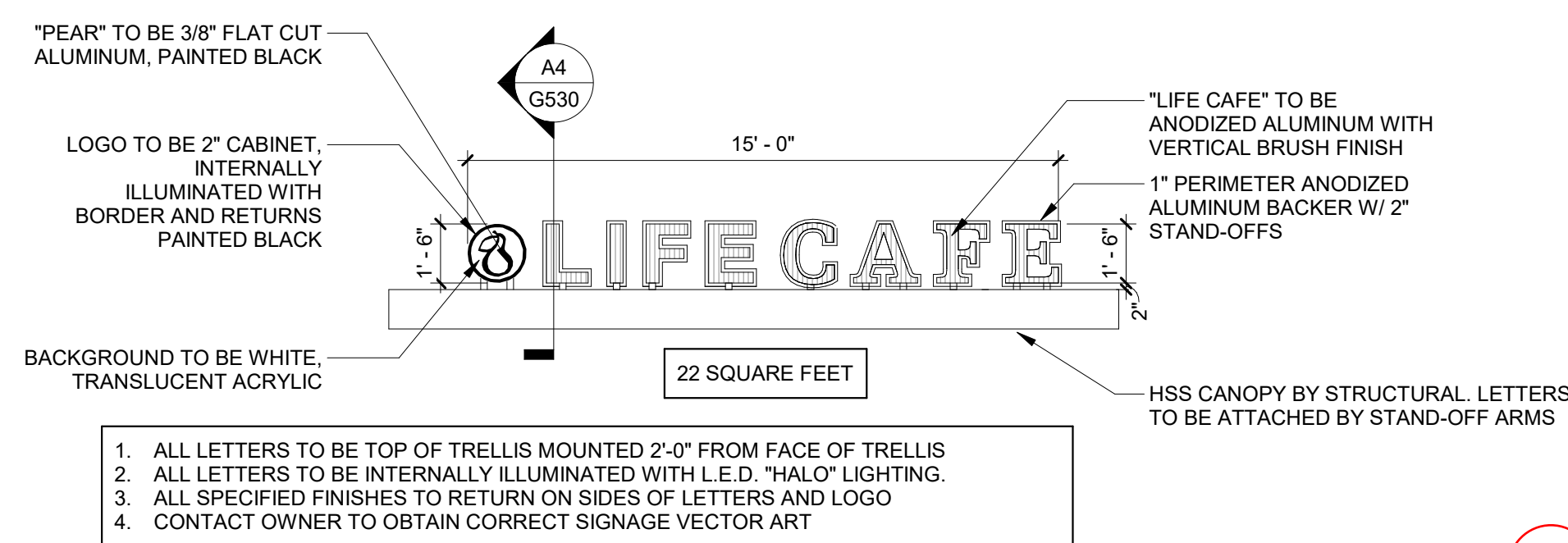
1 EXTERIOR ELEVATION - NORTH
3/32" = 1'-0"

NAPERVILLE, IL E-BOX PLUS

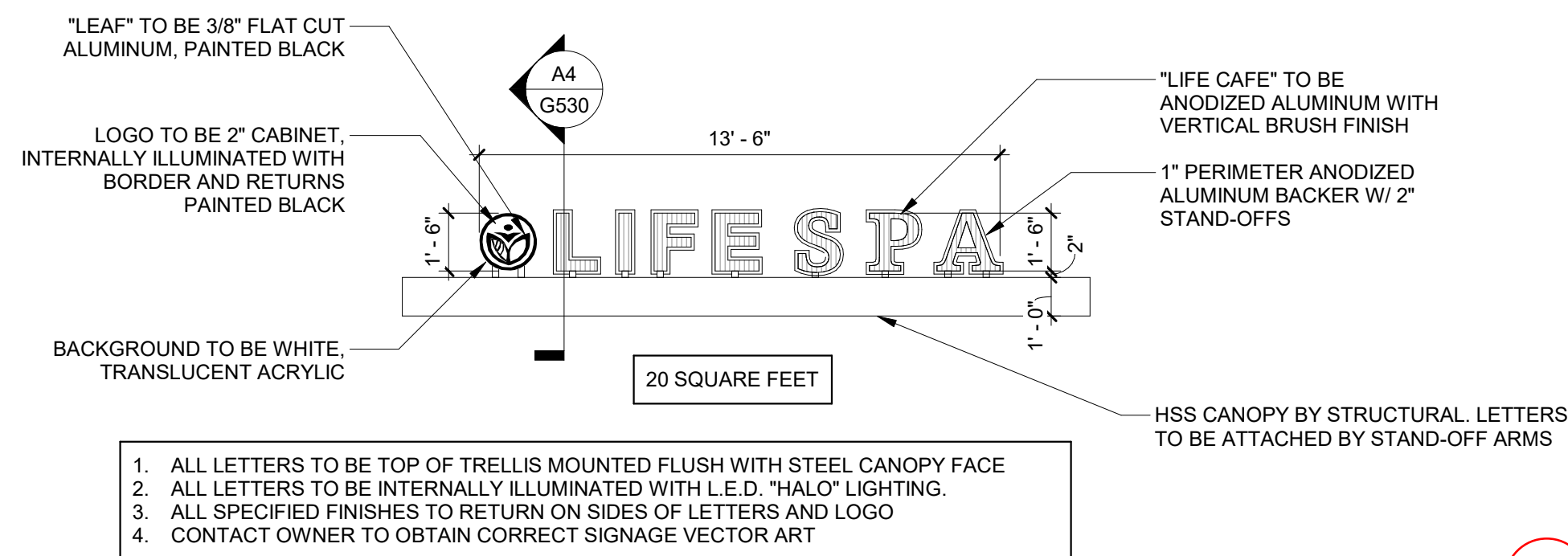


C1 SIGN "F" - ADDRESS SIGN
1 1/2" = 1'-0"

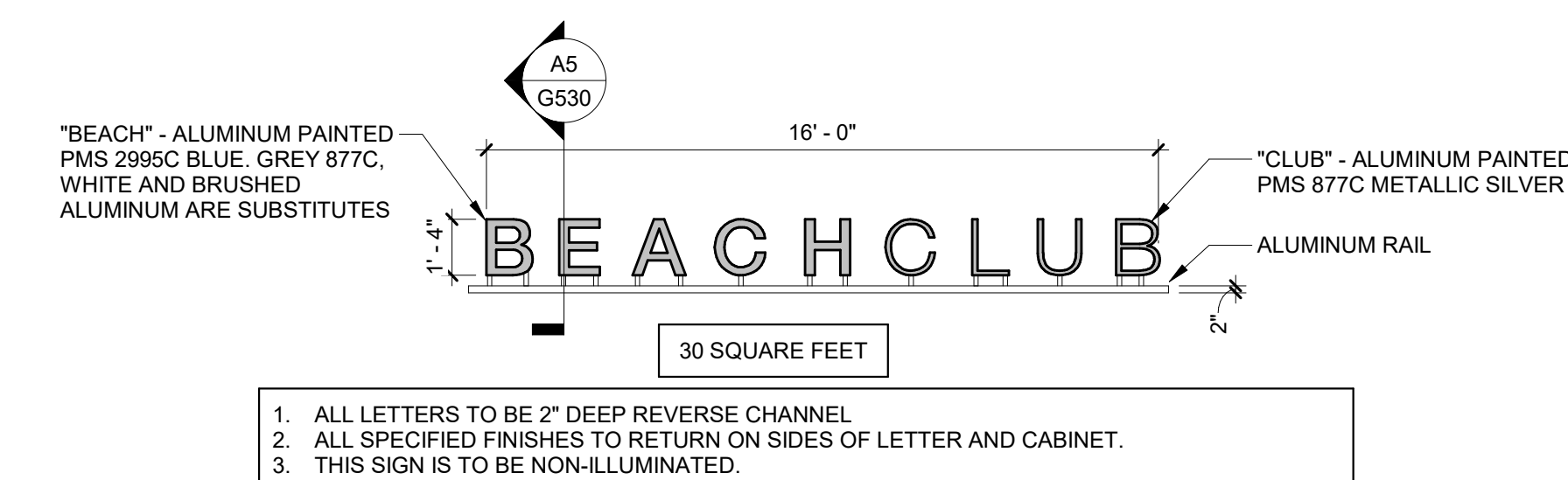
C2 SIGN "G" - PICKLEBALL - EXTERIOR
1/4" = 1'-0"
DATE LAST MODIFIED: 11/14/2023



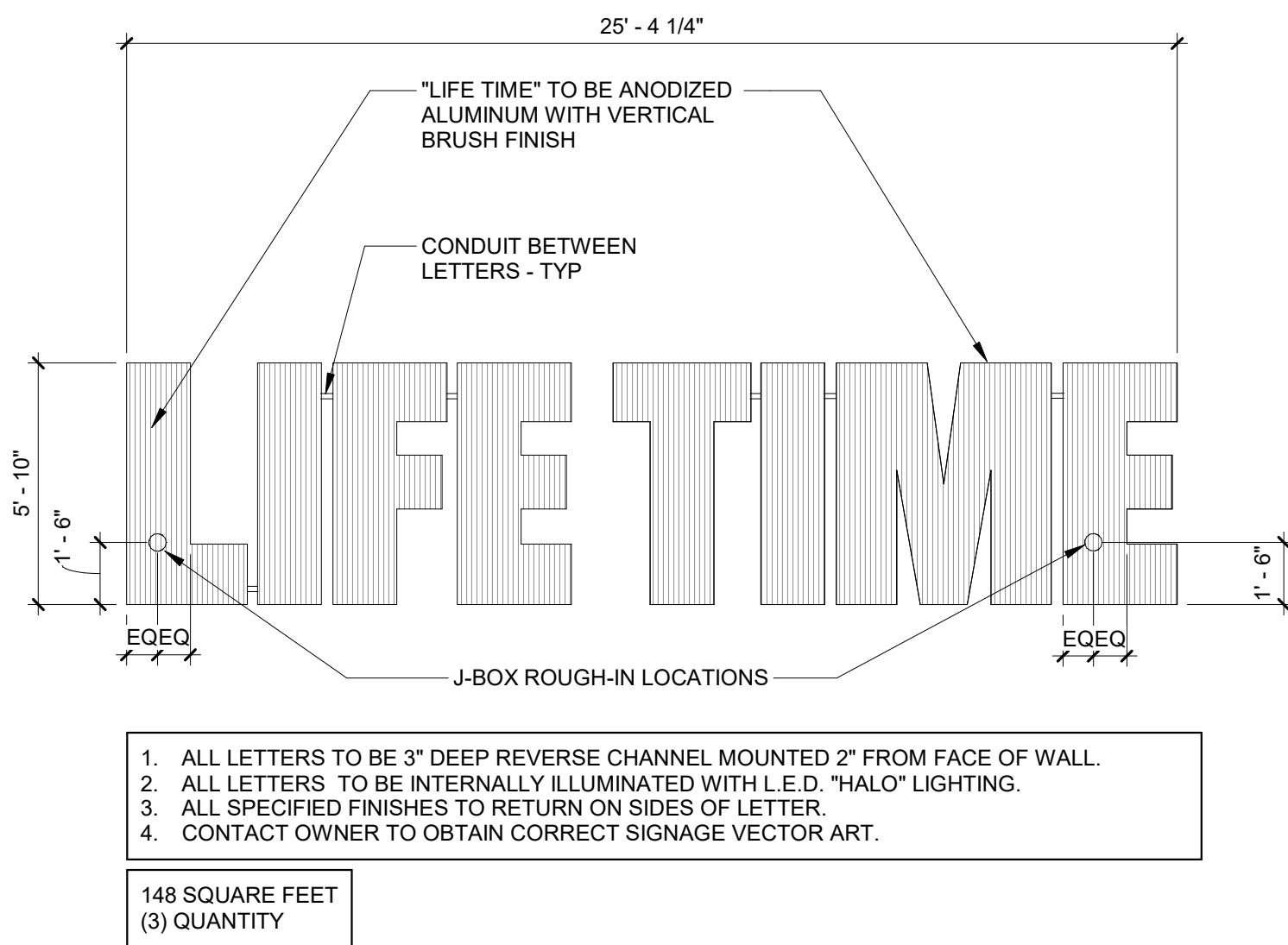
B1 SIGN "C" - LIFE CAFE SIGNAGE
1/4" = 1'-0"



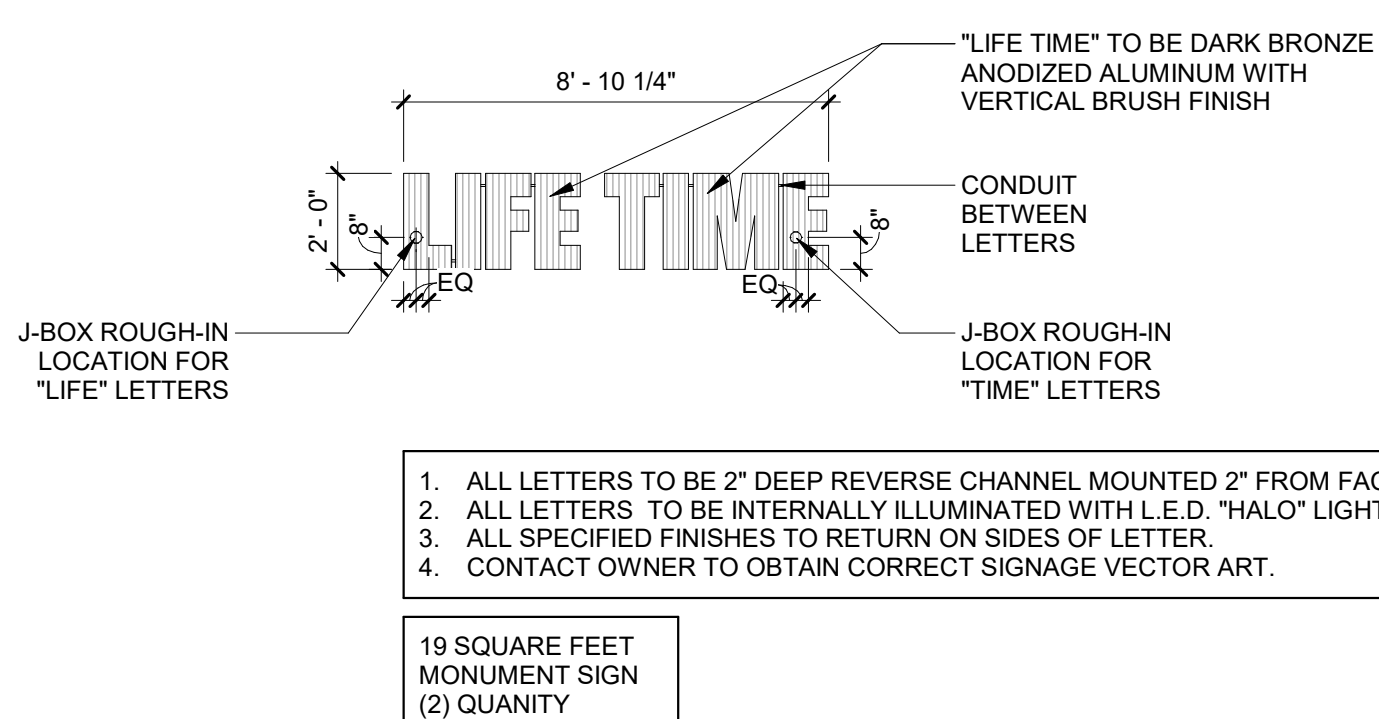
B3 SIGN "D" - LIFE SPA SIGNAGE
1/4" = 1'-0"



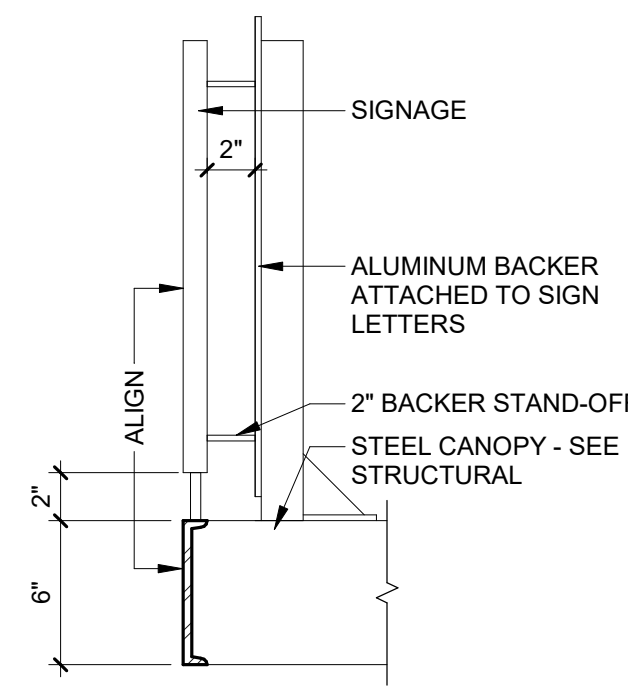
B5 SIGN "E" - BEACH CLUB SIGNAGE
1/4" = 1'-0"



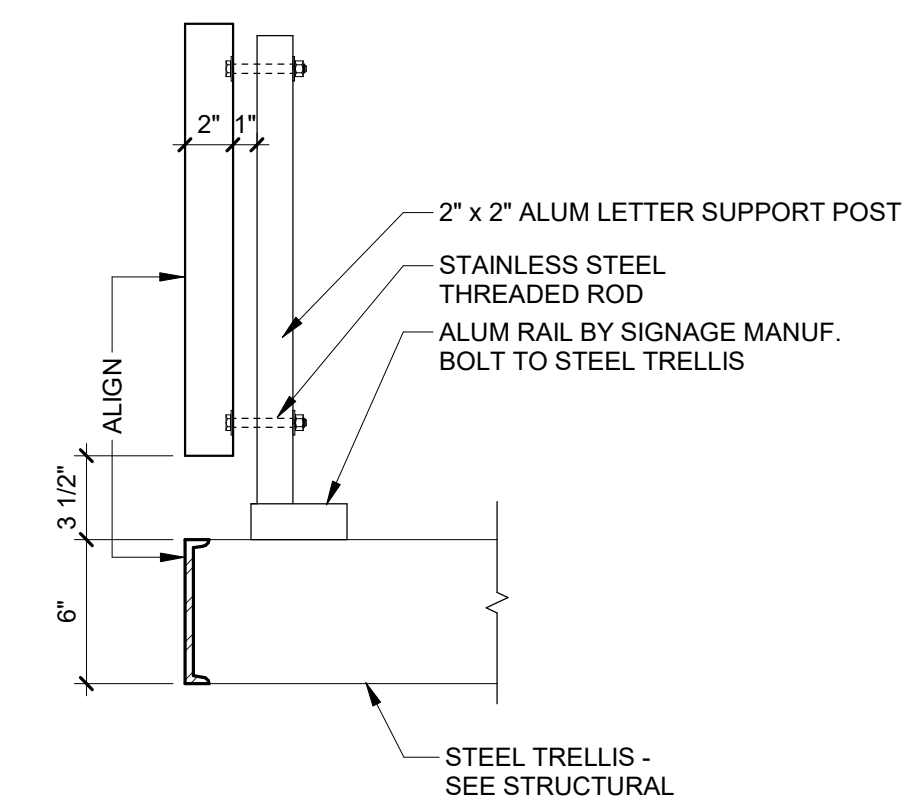
A1 SIGN "A" - LIFE TIME BUILDING SIGNAGE
1/4" = 1'-0"



A3 SIGN "B" - MONUMENT SIGNAGE
1/4" = 1'-0"



A4 CANOPY SIGN ATTACHMENT3
1 1/2" = 1'-0"



A5 CANOPY SIGN ATTACHMENT - TRELIS
1 1/2" = 1'-0"