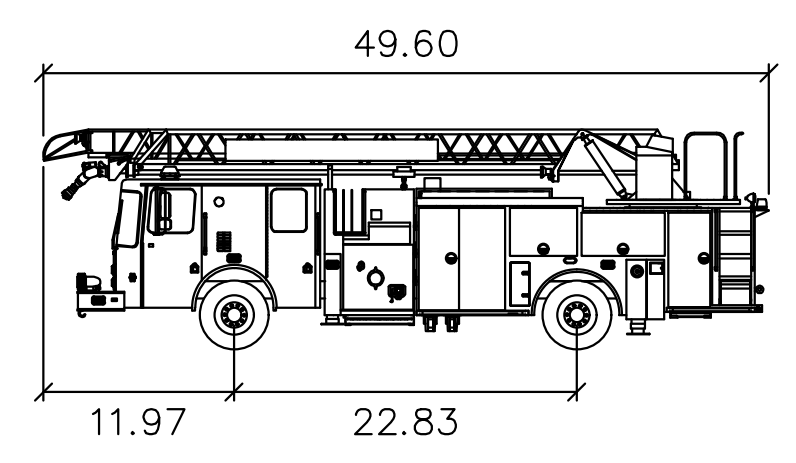
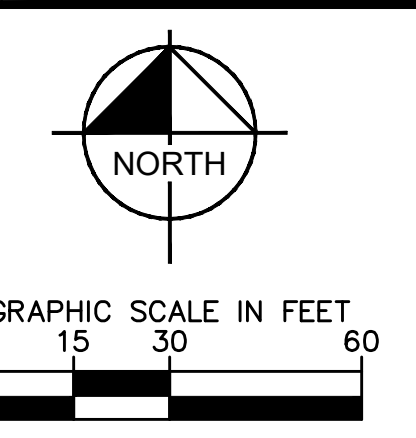
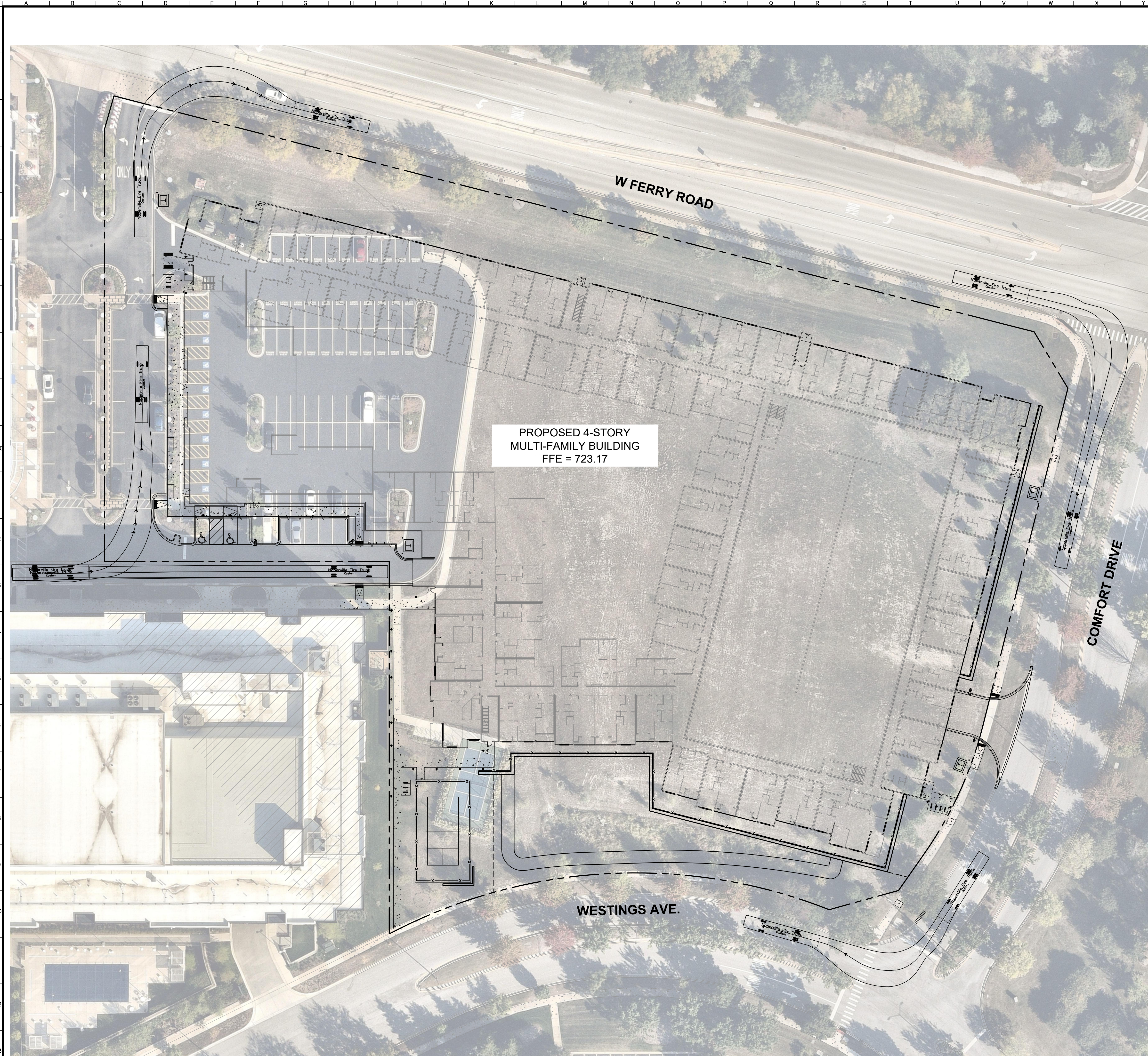


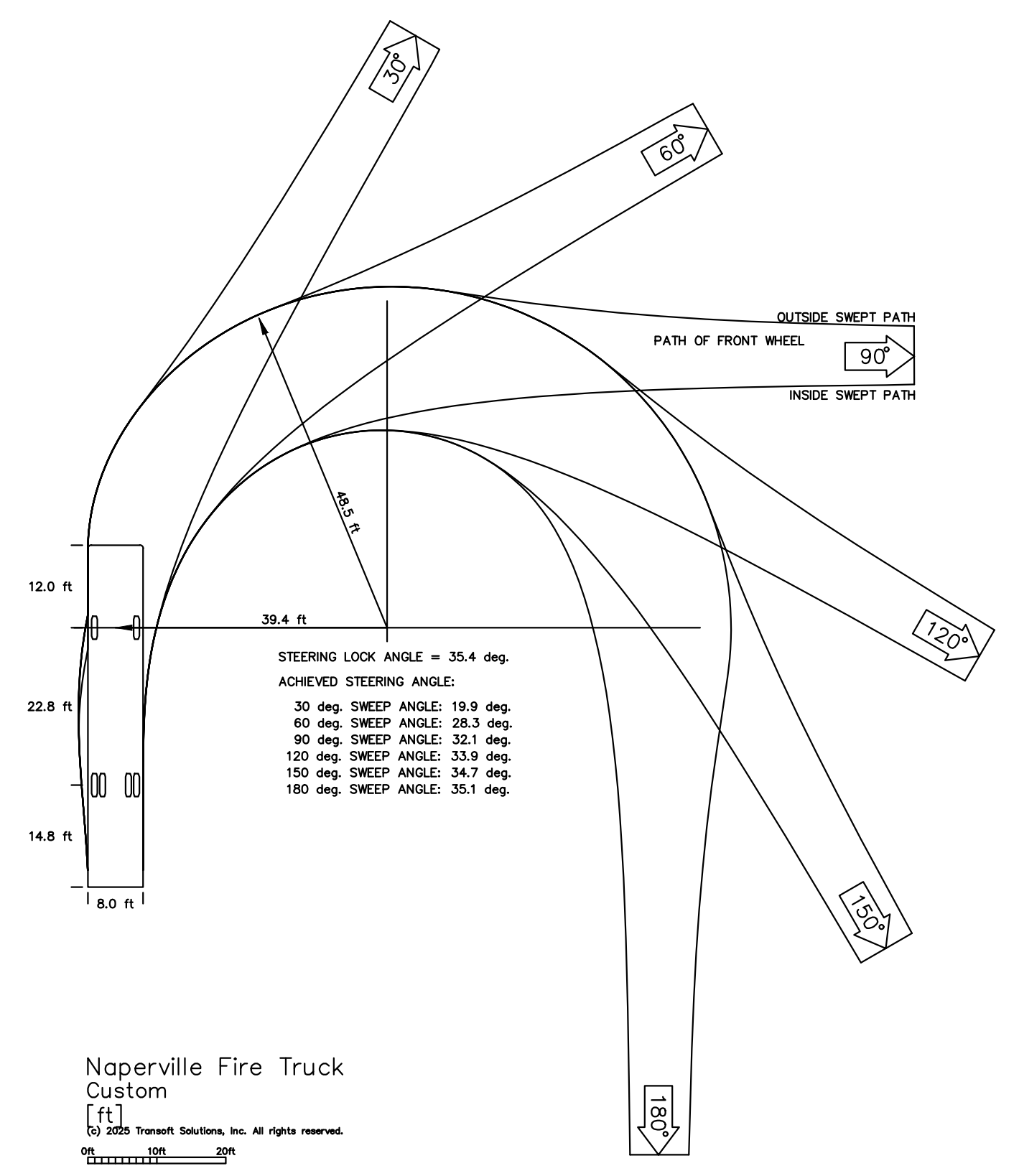
Drawing name: K:\CHS\_DEV\268930001\_Willow\_Bridge\_CityGate Phase 2\_Naperville\_IL\2 Design\CAD\Exhibits\Fire Truck Turn Exhibit.dwg C2.0 Mar 09, 2026 6:16pm by: OdeLewis  
 This document, together with the concepts and designs presented herein, is intended only for the specific purpose and client for which it was prepared. Reuse of and improper reliance on this document without written authorization and adaptation by Kimley-Horn and Associates, Inc. shall be without liability to Kimley-Horn and Associates, Inc.



Naperville Fire Truck

feet

Width : 8.00  
 Track : 6.91  
 Lock to Lock Time : 6.0  
 Steering Angle : 35.4



SCALE:	AS NOTED	DESIGNED BY: OTL	DRAWN BY: ARG	CHECKED BY: TRE
		© 2026 KIMLEY-HORN AND ASSOCIATES, INC. 4201 WINFIELD ROAD, SUITE 600 NAPERVILLE, IL 60563 WWW.KIMLEY-HORN.COM		
		<b>FIRE TRUCK TURN EXHIBIT</b>		
<b>CITYGATE II</b> 2180 CITYGATE LANE NAPERVILLE, IL 60563		ORIGINAL ISSUE: 12/19/2025 KHA PROJECT NO. 268930001 SHEET NUMBER <b>EX.</b>		
NO.	REVISIONS	DATE	BY	TRE
1		03/09/26		