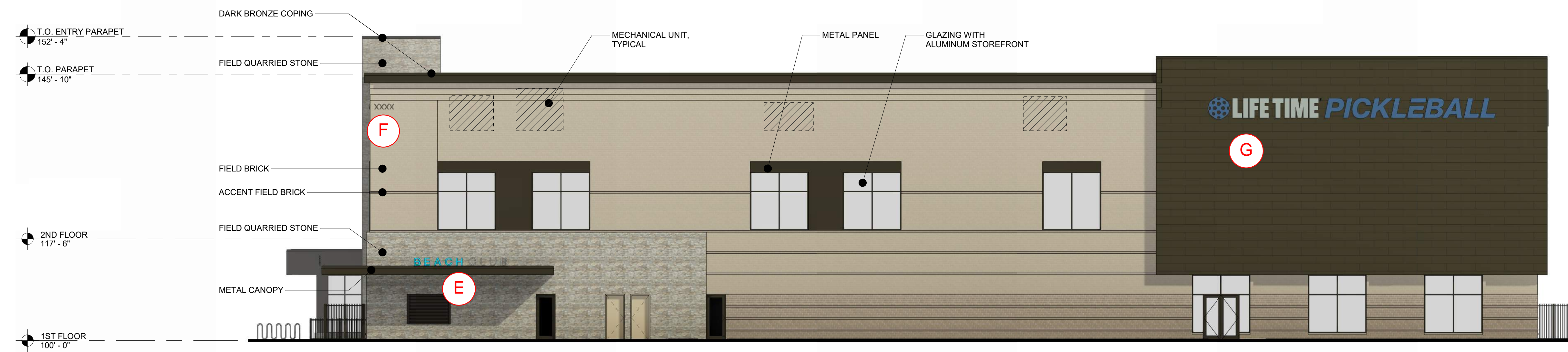


NAPERVILLE, IL E-BOX PLUS



4 EXTERIOR ELEVATION - WEST
3/32" = 1'-0"



3 EXTERIOR ELEVATION - SOUTH
3/32" = 1'-0"



2 EXTERIOR ELEVATION - EAST
3/32" = 1'-0"



1 EXTERIOR ELEVATION - NORTH
3/32" = 1'-0"

NAPERVILLE, IL E-BOX PLUS

PROJECT INFORMATION

Naperville, IL E-Box Plus
Naperville, IL

DRAWING LOG

REV	DATE	DESCRIPTION

CONFIDENTIALITY NOTICE

BY ACCEPTING THIS MATERIAL, THE RECIPIENT ACKNOWLEDGES AND AGREES THAT THE INFORMATION CONTAINED HEREIN IS CONFIDENTIAL AND SHALL NOT BE DISCLOSED, DISTRIBUTED, OR OTHERWISE TRANSMITTED IN ANY WAY WITHOUT THE EXPRESS WRITTEN CONSENT OF LIFETIME, INC. OR ITS SUBSIDIARIES (LTI). THIS MATERIAL AND INFORMATION REMAINS THE SOLE PROPERTY OF LTI AND LTI RESERVES THE RIGHT TO REQUIRE ITS RETURN AT ANY TIME. THE RECIPIENT AGREES TO DEFEND AND INDEMNIFY LTI FROM ANY DAMAGES OR LOSSES ARISING OUT OF THE UNAUTHORIZED USE OR DISCLOSURE OF THE INFORMATION.

PROFESSIONAL OF RECORD

I HEREBY CERTIFY THAT THIS PLAN, SPECIFICATION, OR REPORT WAS PREPARED BY ME OR UNDER MY DIRECT SUPERVISION AND THAT I AM A DULY REGISTERED ARCHITECT UNDER THE LAWS OF THE STATE OF ARIZONA

NAME: MATTHEW J. BRINZA REG. NO. 54492

EXP. DATE: 06/30/2024

STAMP

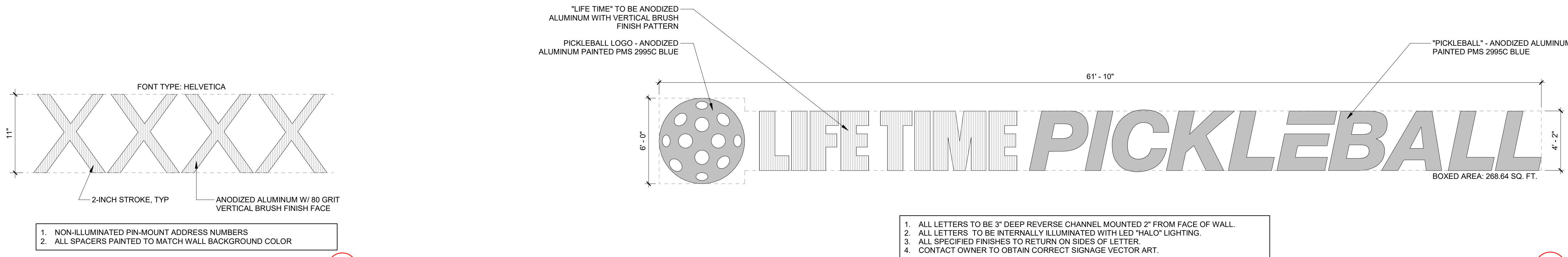
ISSUE DATE: 01/04/2024

SHEET NO.

G530

PUBLICATIONS
SCHEMATIC DESIGN

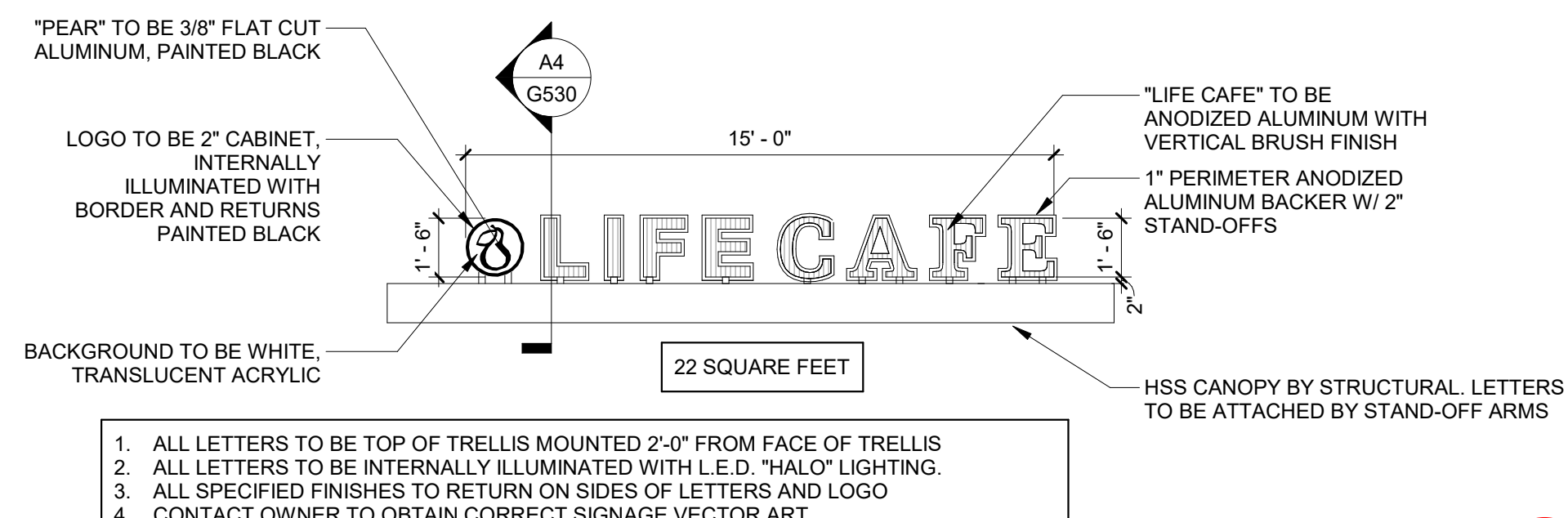
SIGNAGE DETAILS



1. ALL LETTERS TO BE 3" DEEP REVERSE CHANNEL MOUNTED 2" FROM FACE OF WALL.
2. ALL LETTERS TO BE INTERNALLY ILLUMINATED WITH LED "HALO" LIGHTING.
3. ALL SPECIFIED FINISHES TO RETURN ON SIDES OF LETTER.
4. CONTACT OWNER TO OBTAIN CORRECT SIGNAGE VECTOR ART.

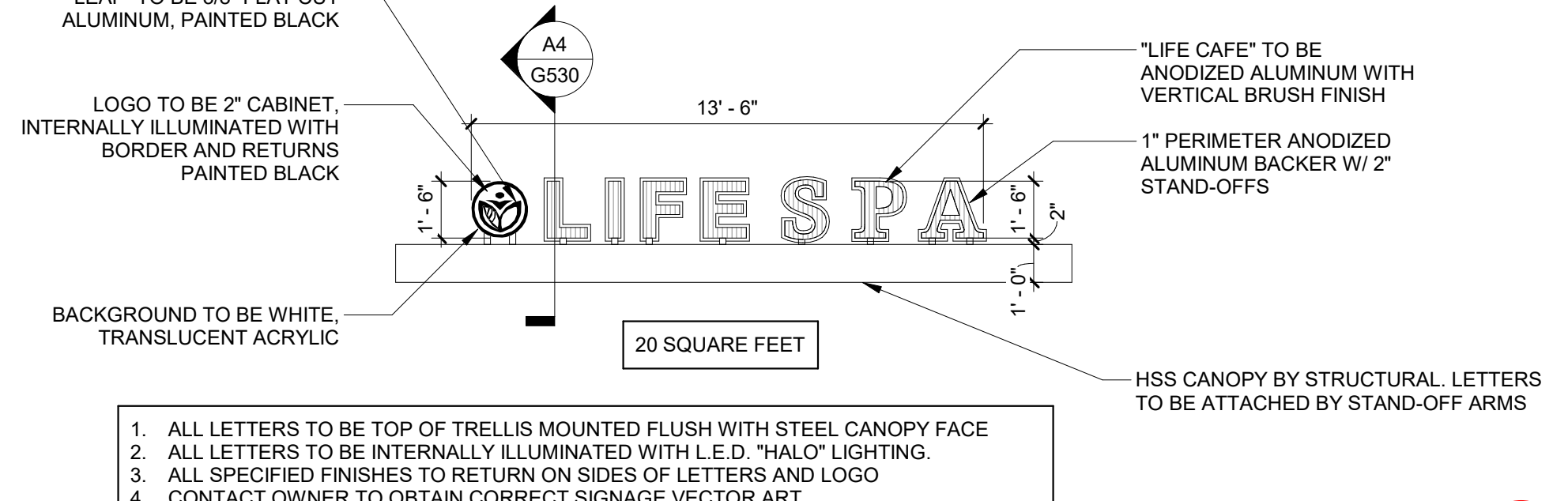
C1 SIGN "F" - ADDRESS SIGN
1 1/2" = 1'-0"

C2 SIGN "G" - PICKLEBALL - EXTERIOR
1/4" = 1'-0"
DATE LAST MODIFIED: 11/14/2023



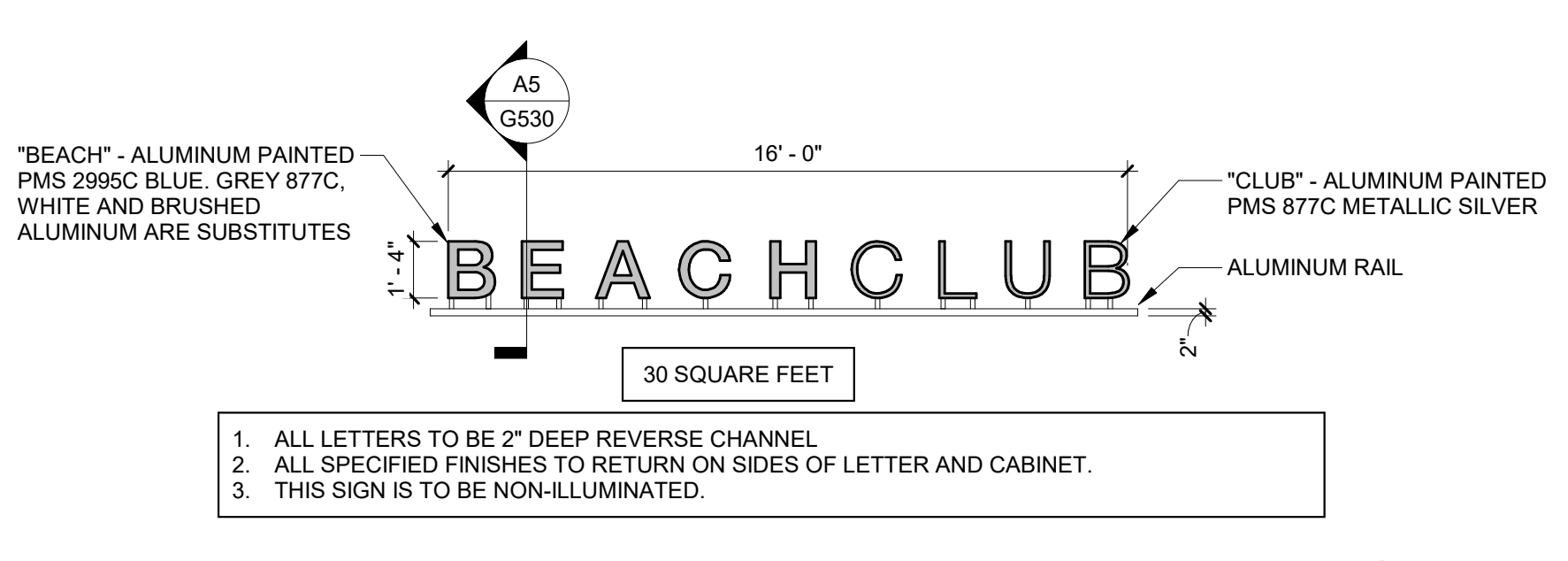
1. ALL LETTERS TO BE TOP OF TRELIS MOUNTED 2'-0" FROM FACE OF TRELIS
2. ALL LETTERS TO BE INTERNALLY ILLUMINATED WITH L.E.D. "HALO" LIGHTING.
3. ALL SPECIFIED FINISHES TO RETURN ON SIDES OF LETTER AND LOGO
4. CONTACT OWNER TO OBTAIN CORRECT SIGNAGE VECTOR ART

B1 SIGN "C" - LIFE CAFE SIGNAGE
1/4" = 1'-0"



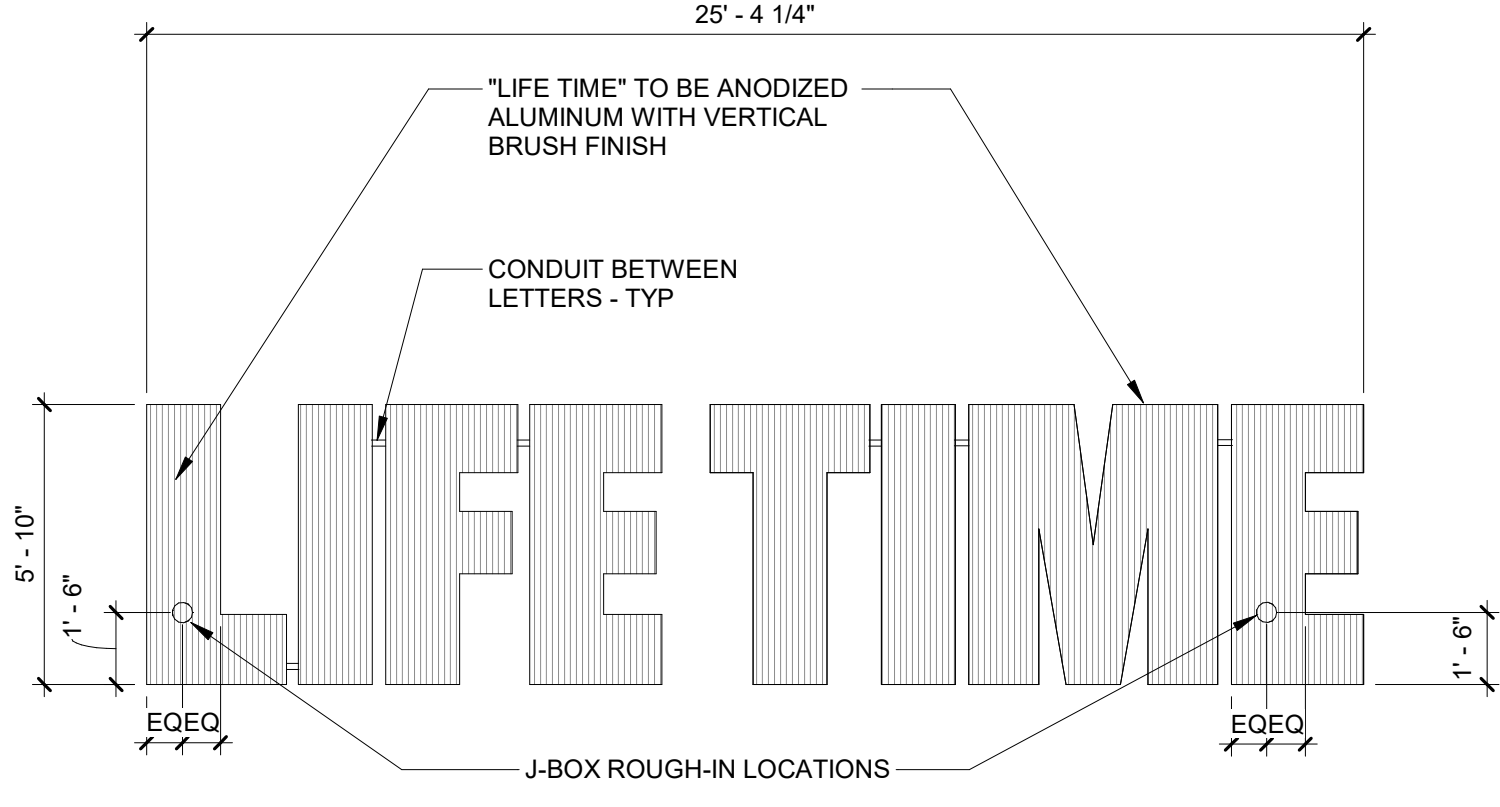
1. ALL LETTERS TO BE TOP OF TRELIS MOUNTED FLUSH WITH STEEL CANOPY FACE
2. ALL LETTERS TO BE INTERNALLY ILLUMINATED WITH L.E.D. "HALO" LIGHTING.
3. ALL SPECIFIED FINISHES TO RETURN ON SIDES OF LETTERS AND LOGO
4. CONTACT OWNER TO OBTAIN CORRECT SIGNAGE VECTOR ART

B3 SIGN "D" - LIFE SPA SIGNAGE
1/4" = 1'-0"



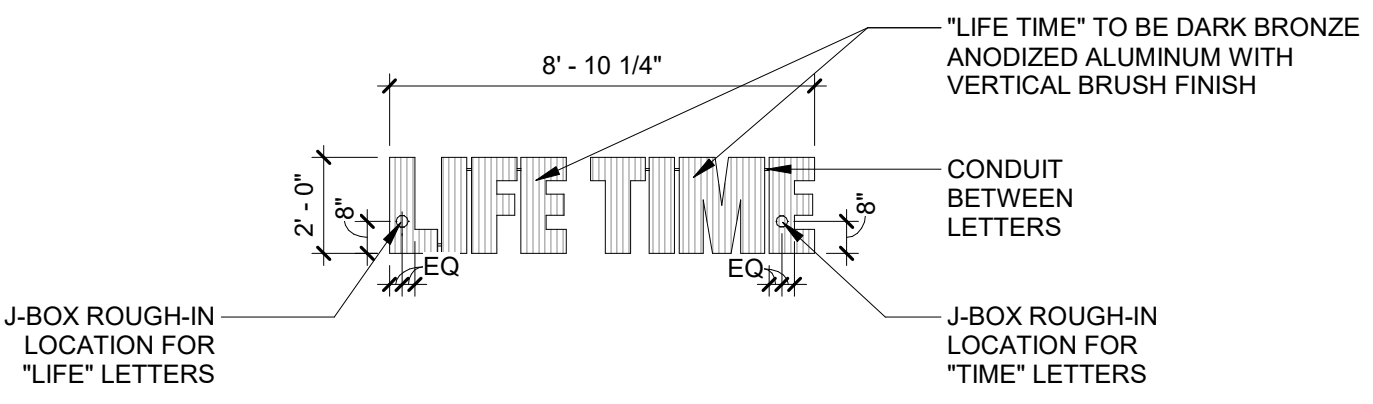
1. ALL LETTERS TO BE 2" DEEP REVERSE CHANNEL
2. ALL SPECIFIED FINISHES TO RETURN ON SIDES OF LETTER AND CABINET.
3. THIS SIGN IS TO BE NON-ILLUMINATED.

B5 SIGN "E" - BEACH CLUB SIGNAGE
1/4" = 1'-0"



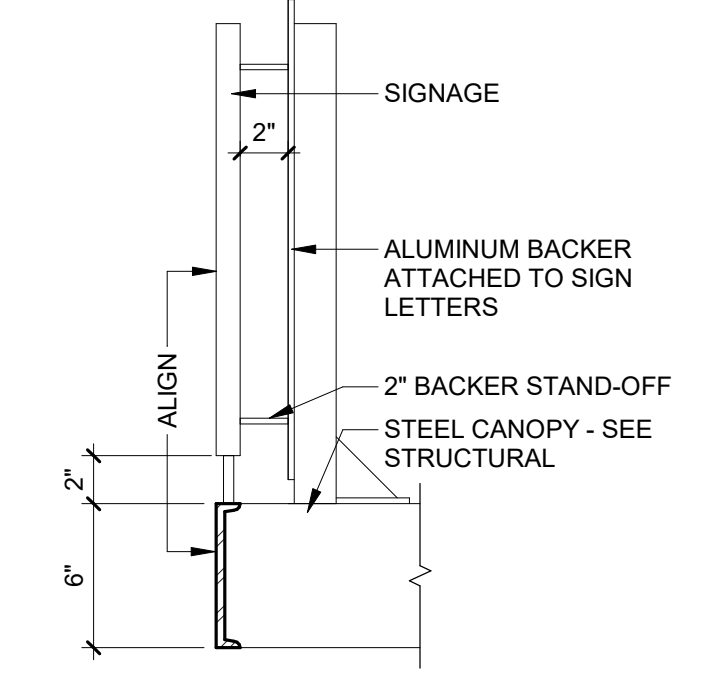
1. ALL LETTERS TO BE 3" DEEP REVERSE CHANNEL MOUNTED 2" FROM FACE OF WALL.
2. ALL LETTERS TO BE INTERNALLY ILLUMINATED WITH L.E.D. "HALO" LIGHTING.
3. ALL SPECIFIED FINISHES TO RETURN ON SIDES OF LETTER.
4. CONTACT OWNER TO OBTAIN CORRECT SIGNAGE VECTOR ART.

A1 SIGN "A" - LIFE TIME BUILDING SIGNAGE
1/4" = 1'-0"

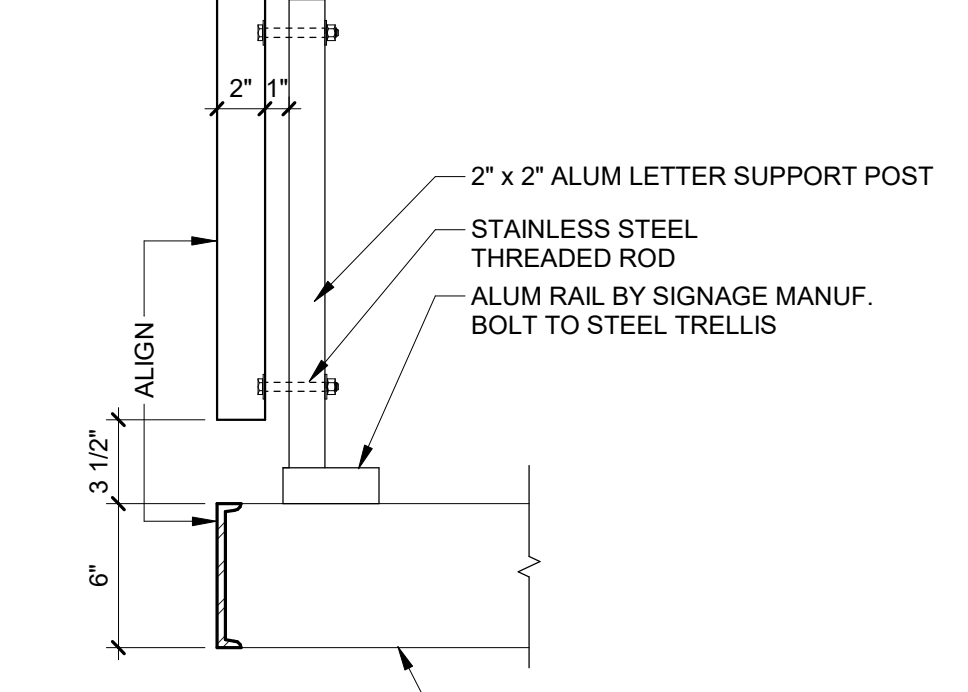


1. ALL LETTERS TO BE 2" DEEP REVERSE CHANNEL MOUNTED 2" FROM FACE OF WALL.
2. ALL LETTERS TO BE INTERNALLY ILLUMINATED WITH L.E.D. "HALO" LIGHTING.
3. ALL SPECIFIED FINISHES TO RETURN ON SIDES OF LETTER.
4. CONTACT OWNER TO OBTAIN CORRECT SIGNAGE VECTOR ART.

A3 SIGN "B" - MONUMENT SIGNAGE
1/4" = 1'-0"



A4 CANOPY SIGN ATTACHMENT 3
1 1/2" = 1'-0"



A5 CANOPY SIGN ATTACHMENT - TRELIS
1 1/2" = 1'-0"

2/23/2024 10:38:53 AM