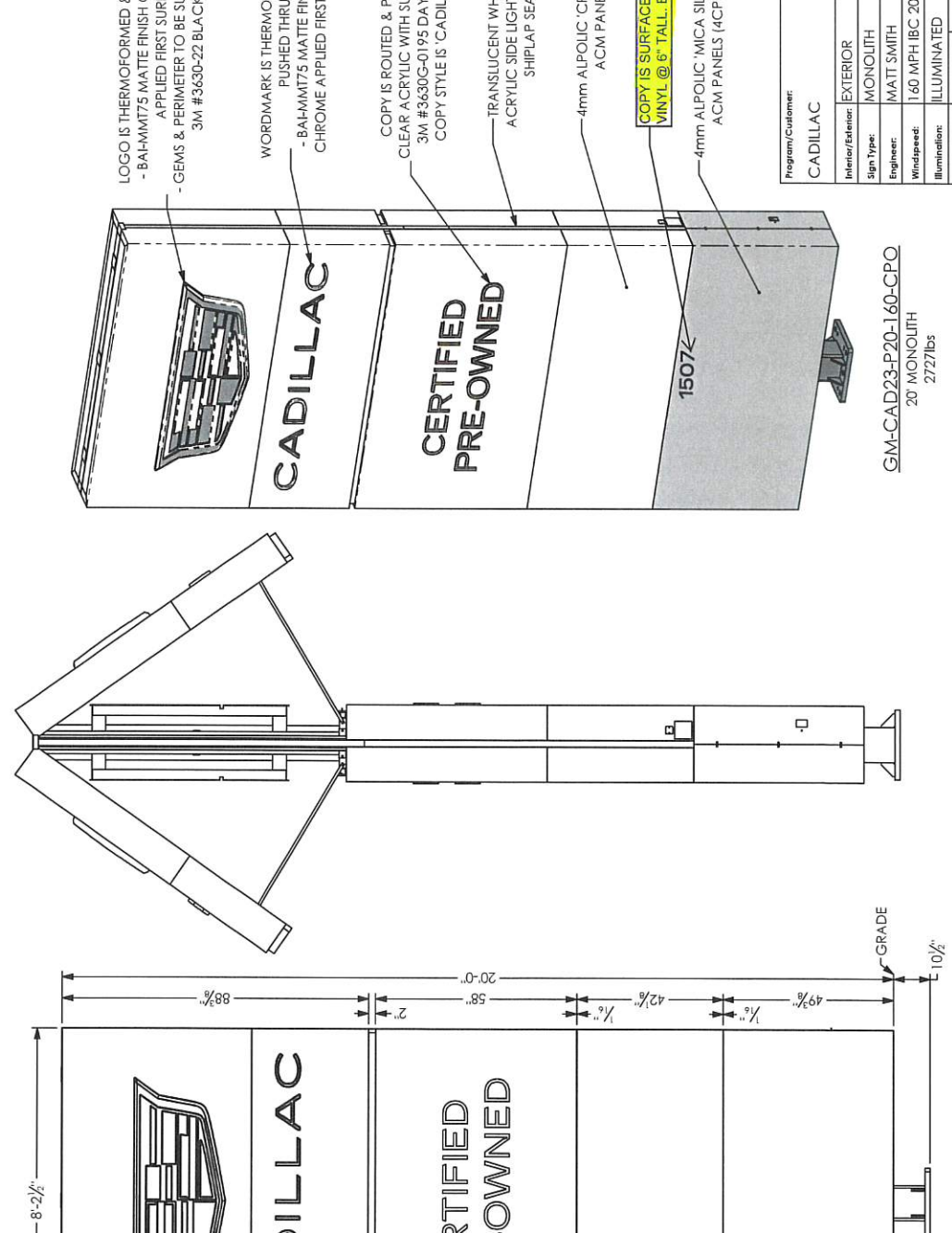


1 2 3 4

REVISIONS		REV CHANGE	REV DATE	REV DRAFTER
ZONE	REV./ECR NUMBER	INITIAL RELEASE	02/04/2023	BR
A	57513			



- LOGO IS THERMOFORMED & PUSHED THRU
 - BALMM175 MATTE FINISH CHROME APPLIED FIRST SURFACE
 - GEMS & PERIMETER TO BE SURFACE APPLIED 3M #3630-22 BLACK VINYL
- WORDMARK IS THERMOFORMED & PUSHED THRU
 - BALMM175 MATTE FINISH CHROME APPLIED FIRST SURFACE
- COPY IS ROUTED & PUSHED THRU, CLEAR ACRYLIC WITH SURFACE APPLIED 3M #3630G-0195 DAY/NIGHT VINYL COPY STYLE IS 'CADILLAC GOTHIC'
- TRANSLUCENT WHITE #7328 ACRYLIC SIDE LIGHT LENS WITH SHIPLAP SEAMS
- 4mm ALPOLIC 'CPW WHITE' ACM PANELS
- COPY IS SURFACE APPLIED 3M 3630-22 BLACK VINYL @ 6" TALL, BOTH SIDES
- 4mm ALPOLIC 'MICA SILVER MNC' ACM PANELS (4CPW3.5)

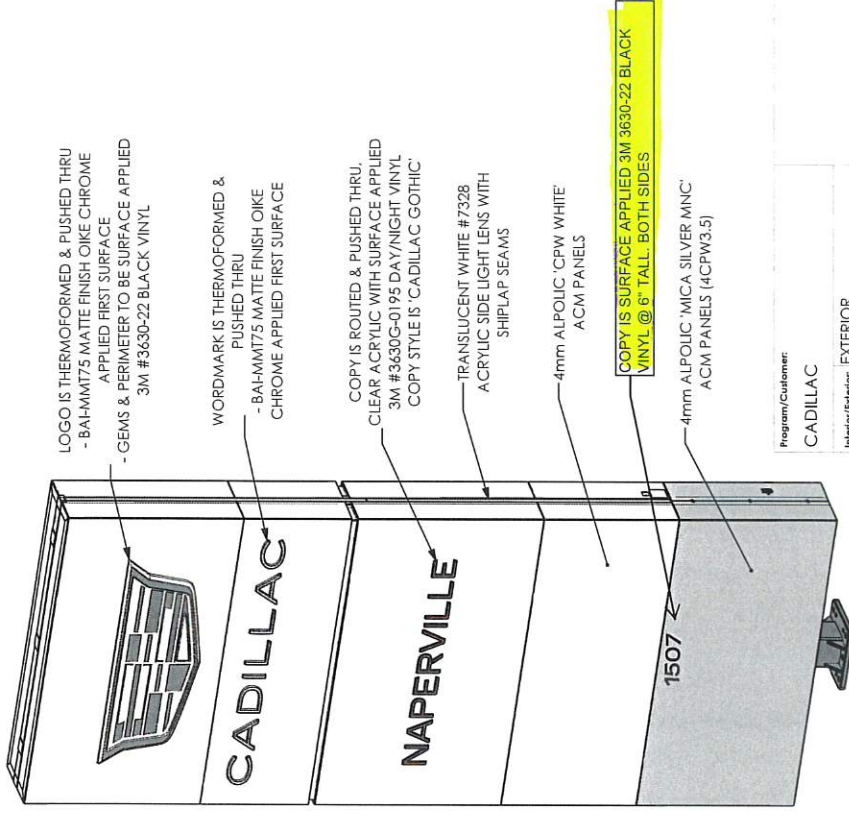
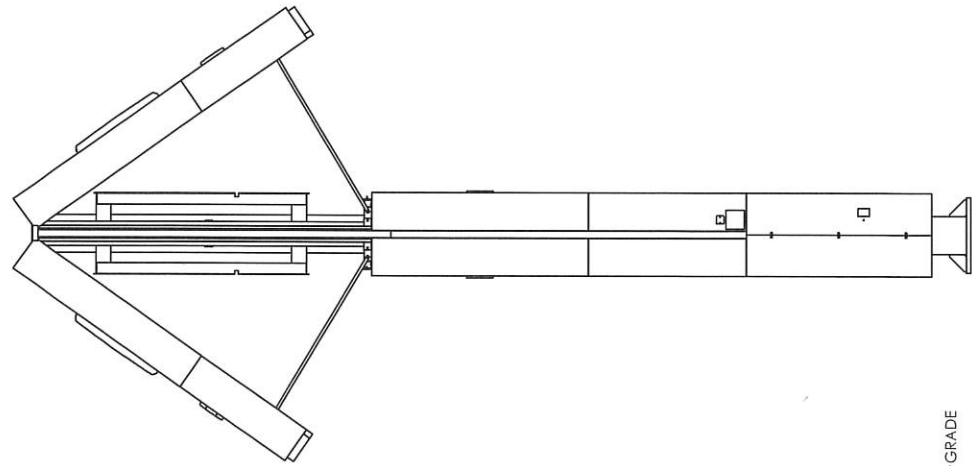
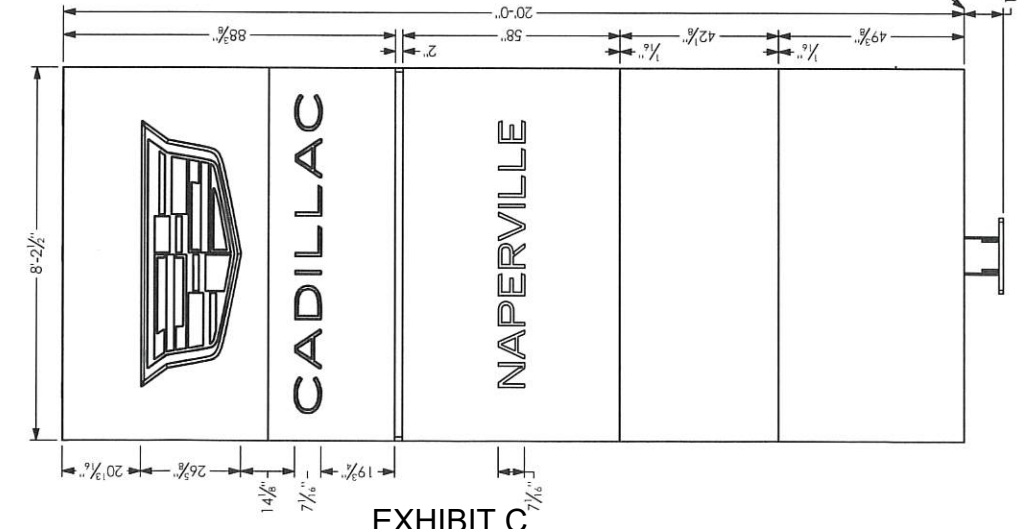
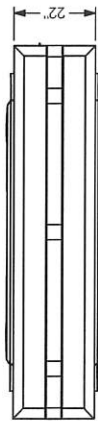
Program/Client:	CADILLAC
Interior/Exterior:	EXTERIOR
Sign Type:	MONOLITH
Engineer:	MATT SMITH
Windspeed:	160 MPH IBC 2018
Illumination:	ILLUMINATED
Volume:	SCALE: 1:32
Project:	20' MONOLITH
Sheet:	GM-CAD23-P20-160-CPO



EXHIBIT C

1 2 3 4

REVISIONS					
ZONE	REV	ECR NUMBER	REV CHANGE	REV DATE	REV DRAFTER
A	57513		INITIAL RELEASE	01/25/2023	BR



Program/Customer:
CADILLAC

Interior/Exterior: EXTERIOR

Sign Type: MONOLITH

Engineer: MATT SMITH

Windspeed: 115 MPH IBC 2018

Illumination: ILLUMINATED

Voltage:

AGI

GM-CAD23-P20-115
20' MONOLITH
2314lbs

SCALE: 1:32

GM-CAD23-P20-115
SHEET 1 OF 1

EXHIBIT C