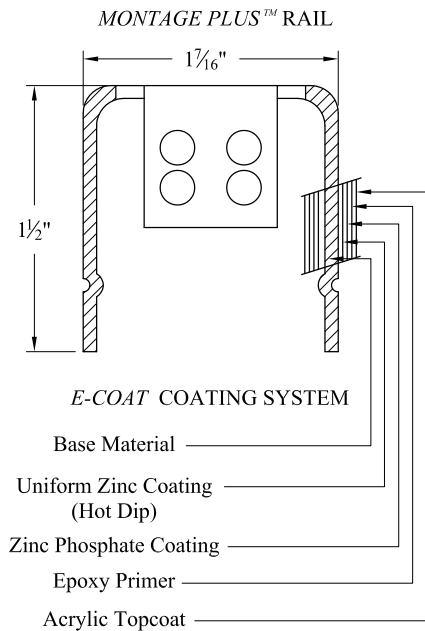


NOTES:

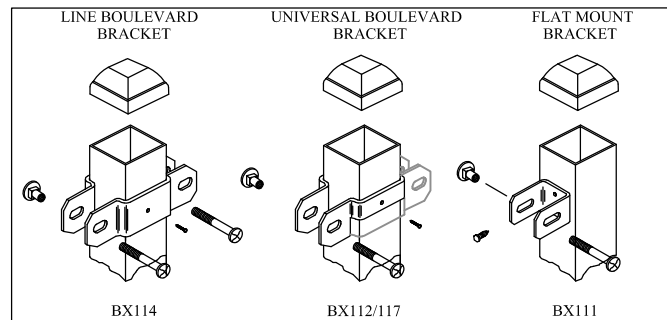
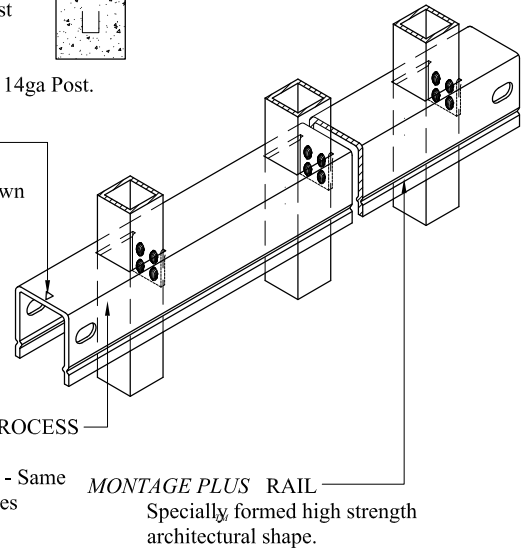
- 1.) Post size depends on fence height and wind loads. See MONTAGE PLUS™ specifications for post sizing chart.
- 2.) Forth rail optional.
- 3.) 7' & 8' Heights will require a 14ga Picket and 14ga Post.

RAKING DIRECTIONAL ARROW
 Welded panel can be raked 30" over 8' with arrow pointing down grade.



PROFUSION™ WELDING PROCESS

No exposed welds,
 Good Neighbor profile - Same appearance on both sides



COMMERCIAL STRENGTH WELDED STEEL PANEL
PRE-ASSEMBLED

Values shown are nominal and not to be used for installation purposes. See product specification for installation requirements.

1RMISO7-8

Title: **MONTAGE COMMERCIAL MAJESTIC 3/4-RAIL**

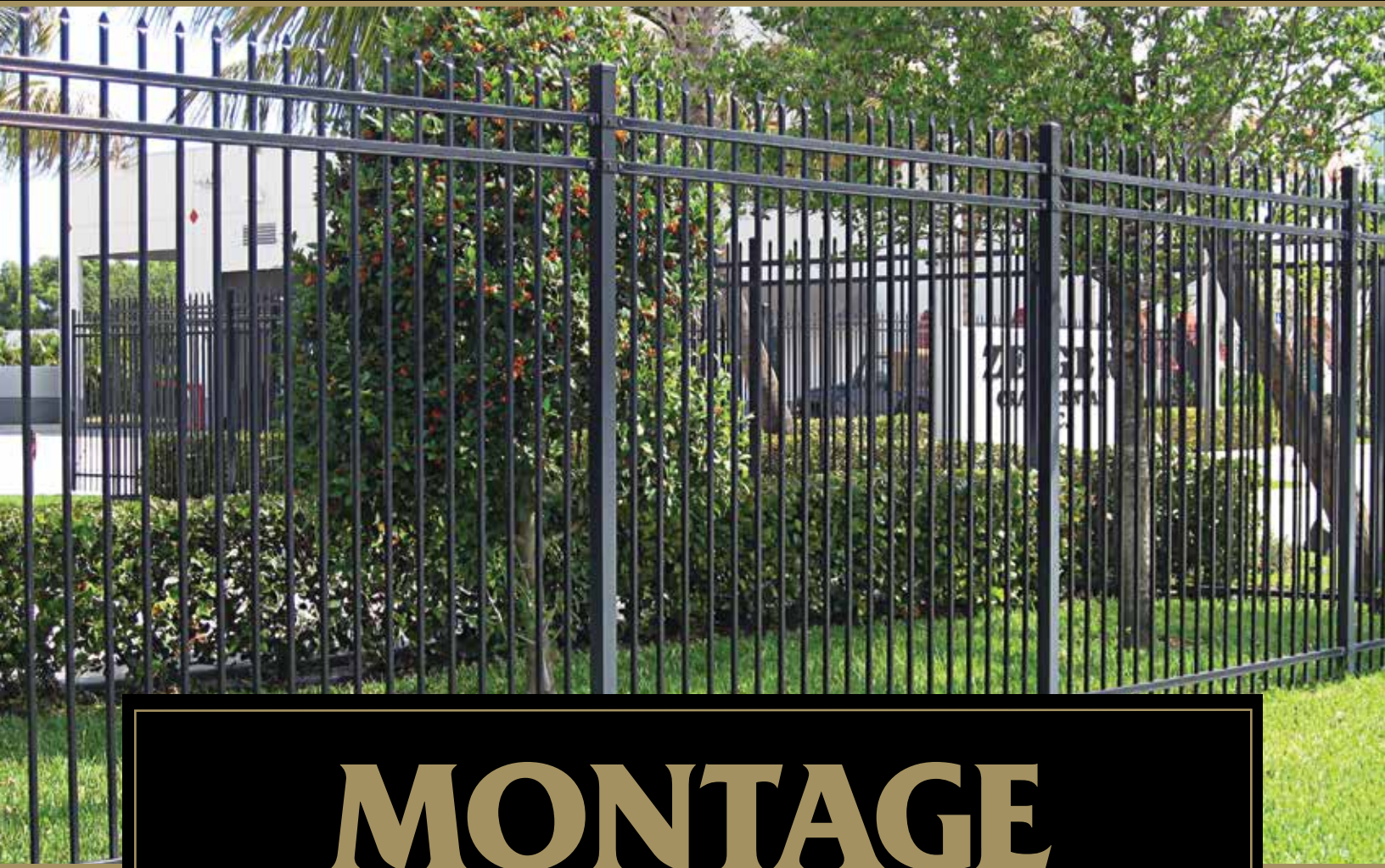
DR: NJB SH . 1 of 1 SCALE: DO NOT SCALE

CK: BS Date 09/21/11 REV: d



AMERISTAR®

1555 N. Mingo
 Tulsa, OK 74116
 1-888-333-3422
 www.ameristarfence.com



MONTAGE COMMERCIAL[®]

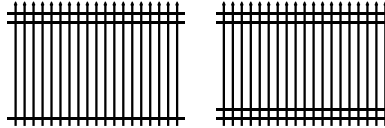
WELDED COMMERCIAL ORNAMENTAL STEEL FENCE





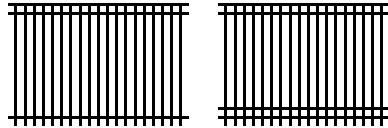
 **CLASSIC™**

- 7' or 8' Heights
- 3-Rail or 4-Rail Panels
- Extended Picket Panels
- 4" Standard or 3" Pet, Pool & Play Picket Air-Space



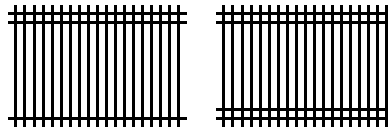
 **MAJESTIC™**

- 7' or 8' Heights
- 3-Rail or 4-Rail Panels
- Extended Picket Panels
- 4" Standard or 3" Pet, Pool & Play Picket Air-Space



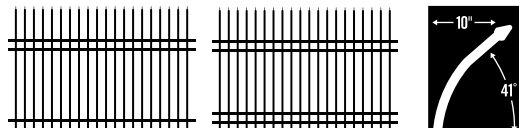
 **GENESIS™**

- 7' or 8' Heights
- 3-Rail or 4-Rail Panels
- Extended Picket Panels
- 4" Standard or 3" Pet, Pool & Play Picket Air-Space



 **INVINCIBLE™**

- 7' or 8' Heights
- 3-Rail or 4-Rail Panels
- Extended Picket Panels





POOL, PET & PLAY™

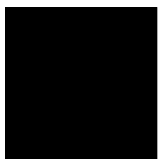
- Improved Panel Strength & Durability
- Increased Safety & Security for Children & Pets



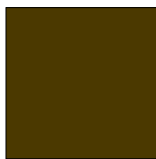
GATE OPTIONS

- MONTAGE COMMERCIAL® SWING GATES
- MONTAGE COMMERCIAL® ARCHED GATES
- ESTATE® STEEL ENTRY GATES
- TRANSPORT® CANTILEVER GATES
- PASSPORT® ROLL GATES

COLOR OPTIONS



BLACK



BRONZE

ADORNMENTS



QUAD FLARE



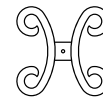
TRIAD



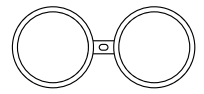
ROYALTY



BALL CAP



BUTTERFLY SCROLL



DOUBLE RINGS

PICKETS

¾"sq. x 14 ga.

RAILS

1½" x 1½" x 14 ga.

POSTS

2½" x 14 ga.



20 Year Warranty backed by proven excellence for over 30 years



Montage Commercial is manufactured from nearly 96% recycled steel

PROFUSION WELDING

- Superior Strength
- No Visible Rivets or Screws
- Design Allows Panels to Follow the Grade



Stair-stepping panels



Fully rakeable panels



ECOAT FINISH

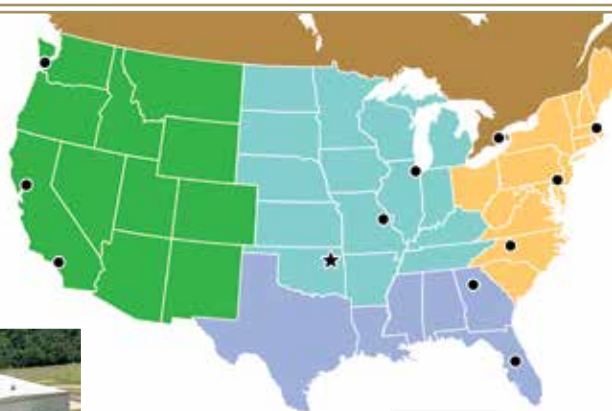
- Protection Inside and Out
- Maintenance-Free Finish
- Long-Term Durability



- Acrylic Topcoat
- Epoxy Primer
- Zinc Phosphate
- Galvanic Zinc



Ameristar's world headquarters, manufacturing & coil processing facilities in Tulsa, Oklahoma, USA.



LEGEND

- ★ Ameristar Headquarters
- Sales & Service Centers



Part #9821 | Revised 05/2013

www.ameristarfence.com | 888-333-3422
1555 N. Mingo Rd. | Tulsa, Oklahoma 74116



AMERISTAR®
FENCE PRODUCTS