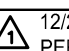


REVISIONS 

 12/27/2024
 PER CITY REVIEW

THIS DRAWING AND THESE DIMENSIONS ARE THE PROPERTY OF CAGE ENGINEERING, INC. NO PART OF THIS DRAWING MAY BE REPRODUCED WITHOUT PRIOR WRITTEN PERMISSION FROM CAGE ENGINEERING, INC.

M/1 HOMES
**NORTHWOODS OF
 NAPERVILLE**
 WARRENVILLE ROAD
 NAPERVILLE, ILLINOIS

PROJ NO: 204255

ENG: DJB

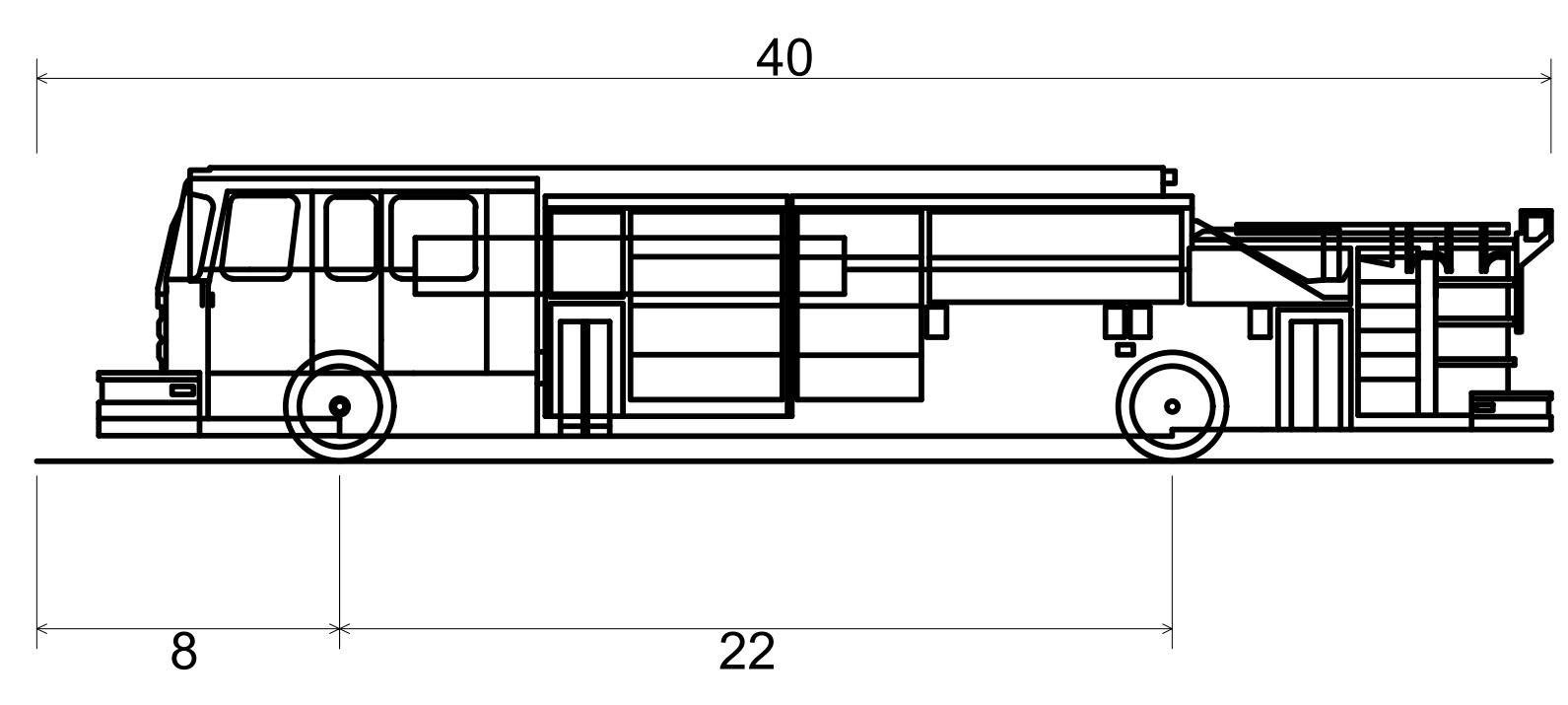
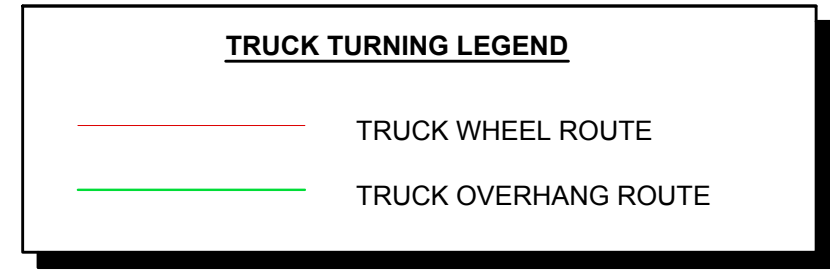
DATE: 11/01/24

SHEET TITLE

**FIRE TRUCK
 EXHIBIT**

SHEET NUMBER

FT1



Pumper Fire Truck
 Overall Length 40.000ft
 Overall Width 8.167ft
 Overall Body Height 7.745ft
 Min Body Ground Clearance 0.656ft
 Track Width 8.167ft
 Lock-to-lock time 5.00s
 Max Wheel Angle 45.00°

