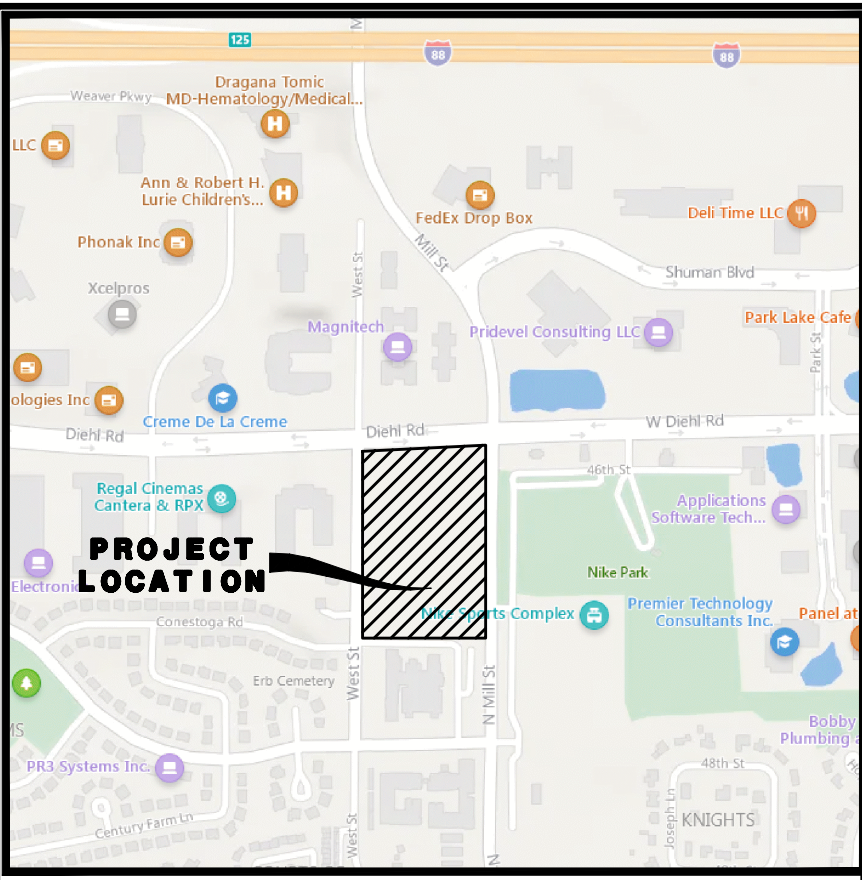


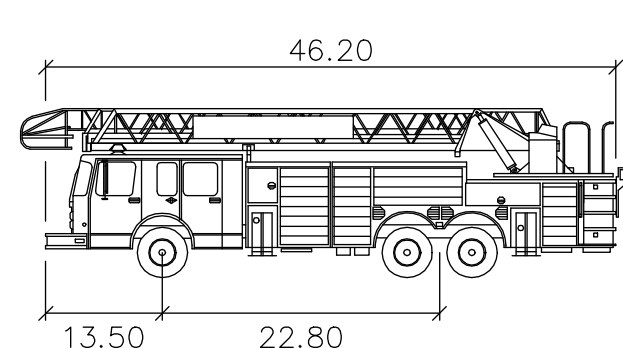
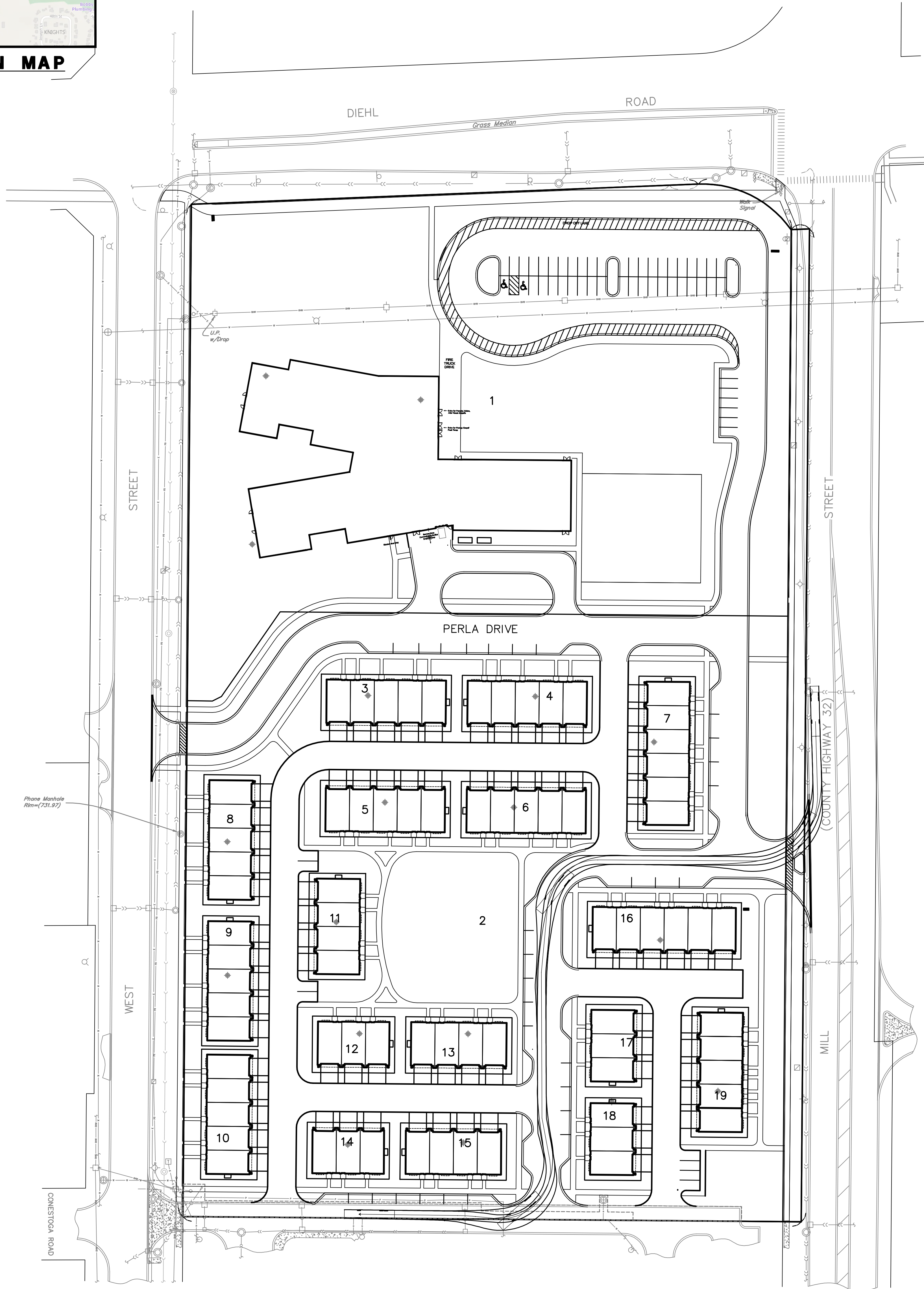
FOR THE PROSPERITA & ORION STEM SCHOOL



LOCATION MAP



50 25 0 50
SCALE: 1 INCH = 50 FEET



AERIAL PLATFORM
Width : 8.00
Track : 8.00
Lock to Lock Time : 6.00
Steering Angle : 30.00

PREPARED FOR:
VRUTTHI LLC
3644 WHITE EAGLE DRIVE
NAPERVILLE, ILLINOIS 60564
(630) 803-5768

PREPARED BY:
CEMCON, Ltd.
Consulting Engineers, Land Surveyors & Planners
2280 White Oak Circle, Suite 100
Aurora, Illinois 60502-9675
PH: 630.862.2100 FAX: 630.862.2199
E-Mail: info@cemcon.com Website: www.cemcon.com

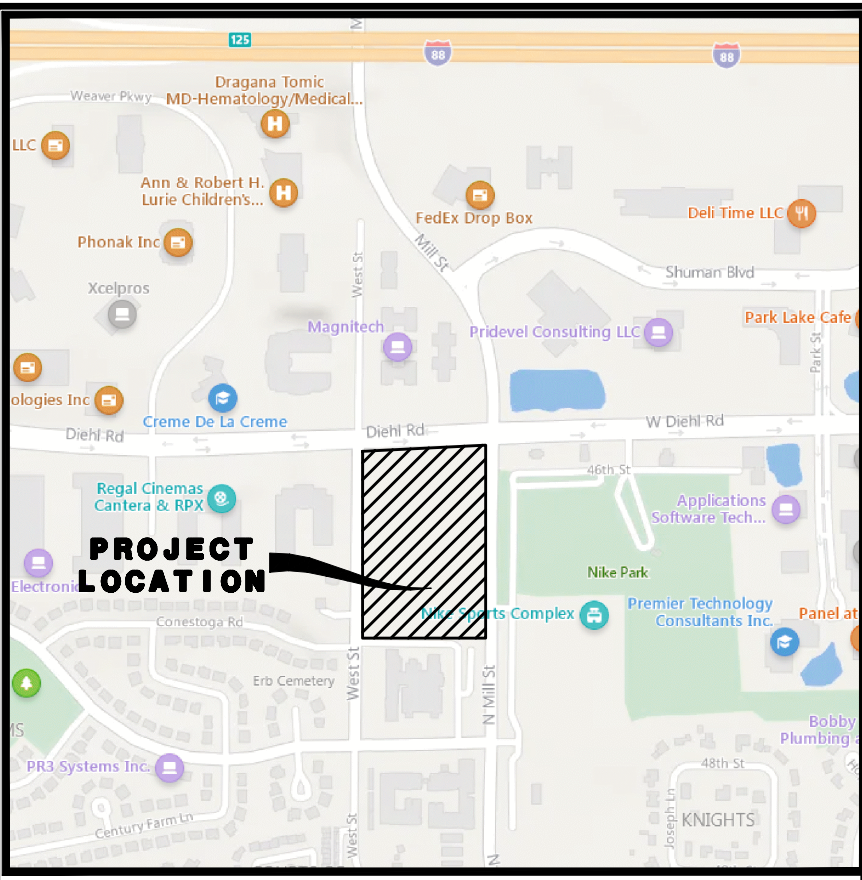
DISC NO.: 904426 FILE NAME: 2023-02-14 AUTOTURN
DRAWN BY: KMS FLD. BK. / PG. NO.: ----
COMPLETION DATE: 09-19-22 JOB NO.: 904.426
XREF : TOPO PROJECT MANAGER : RWB
REV: 09-30-22/KMS, 12-13-22/KMS, 02-14-23/KMS

AUTOTURN EXHIBIT
THE PROSPERITA & ORION STEM SCHOOLS
CITY OF NAPERVILLE PROJECT NO.: 22-10000097

PLT FILE CREATED: 2/14/2023 BY: KRISTIN STARKEL
DRAWING PATH: P:\004426\004426\DRAWINGS\EXHIBITS\2023-02-14 AUTOTURN

**AUTOTURN EXHIBIT
FOR**

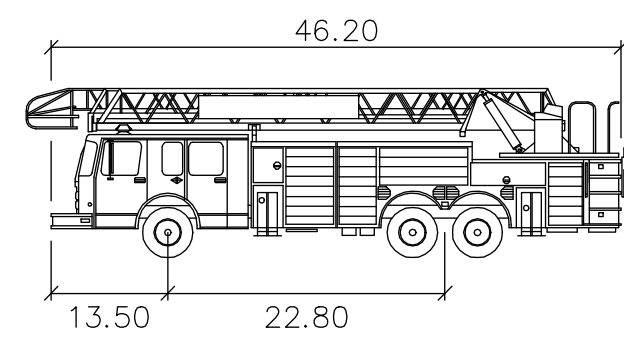
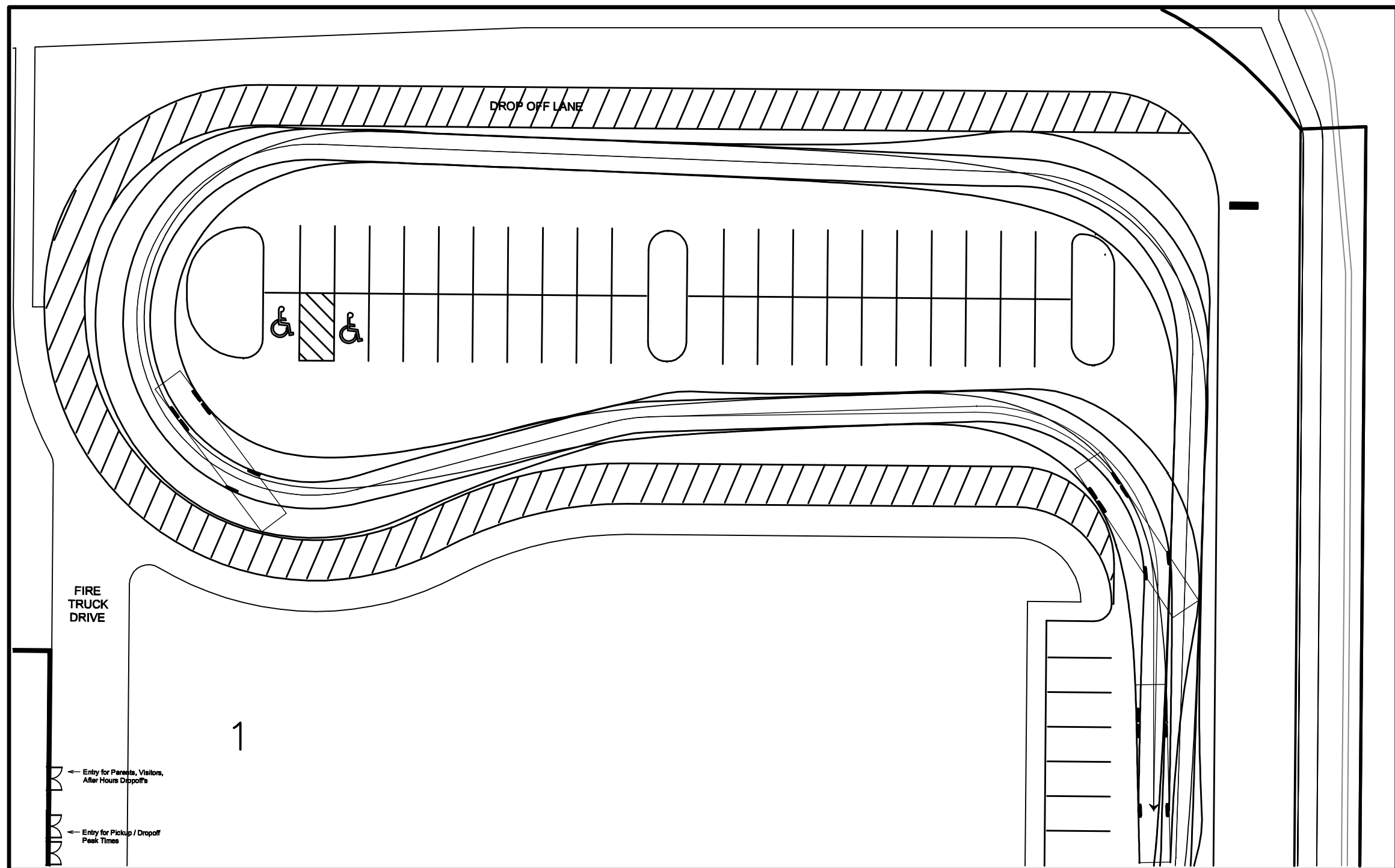
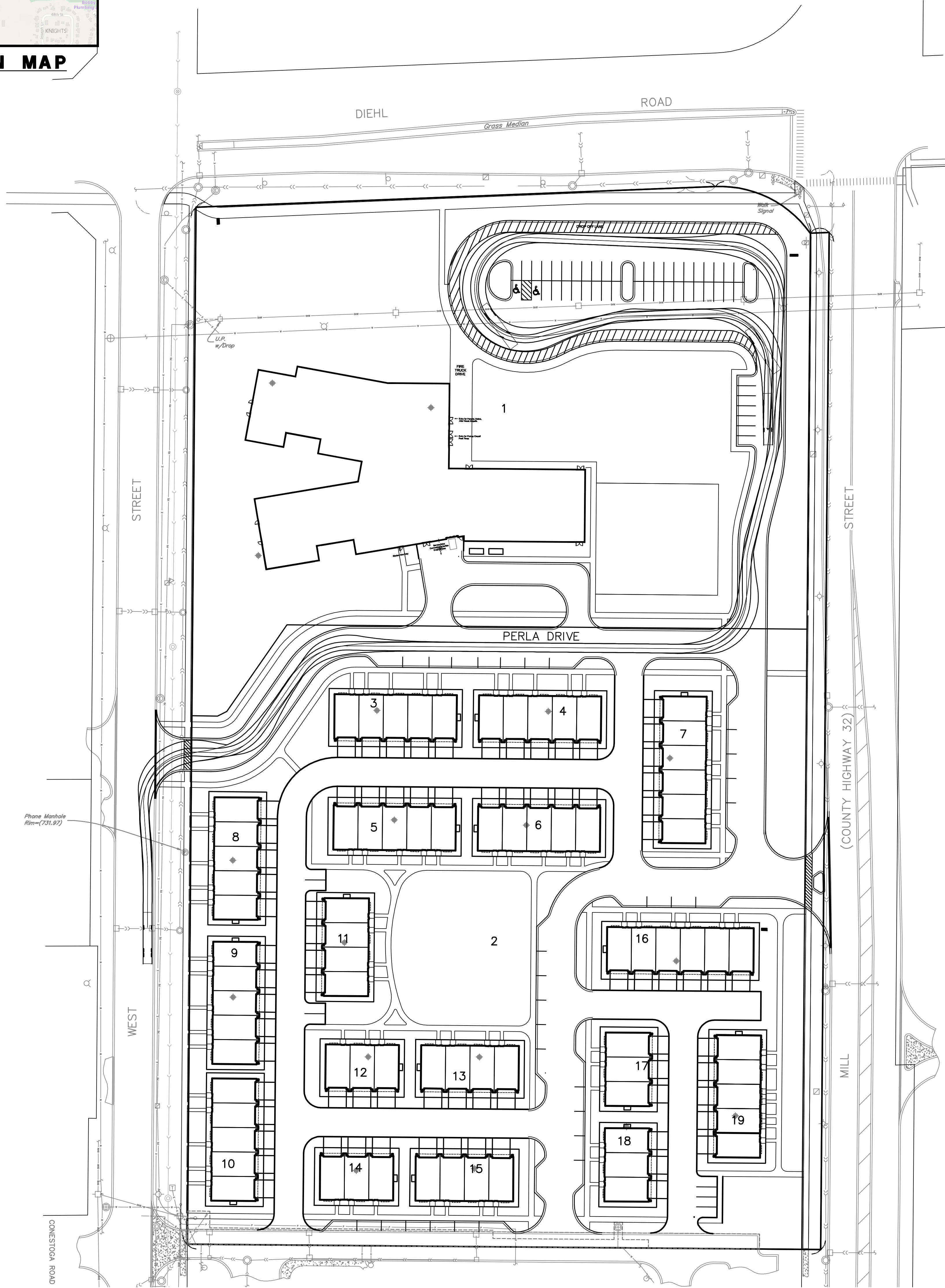
THE PROSPERITA & ORION STEM SCHOOL



LOCATION MAP

N

50 25 0 50
SCALE: 1 INCH = 50 FEET



AERIAL PLATFORM
Width : 8.00
Track : 8.00
Lock to Lock Time : 6.00
Steering Angle : 30.00

PREPARED FOR:
VRUTTHI LLC
3644 WHITE EAGLE DRIVE
NAPERVILLE, ILLINOIS 60564
(630) 803-5768

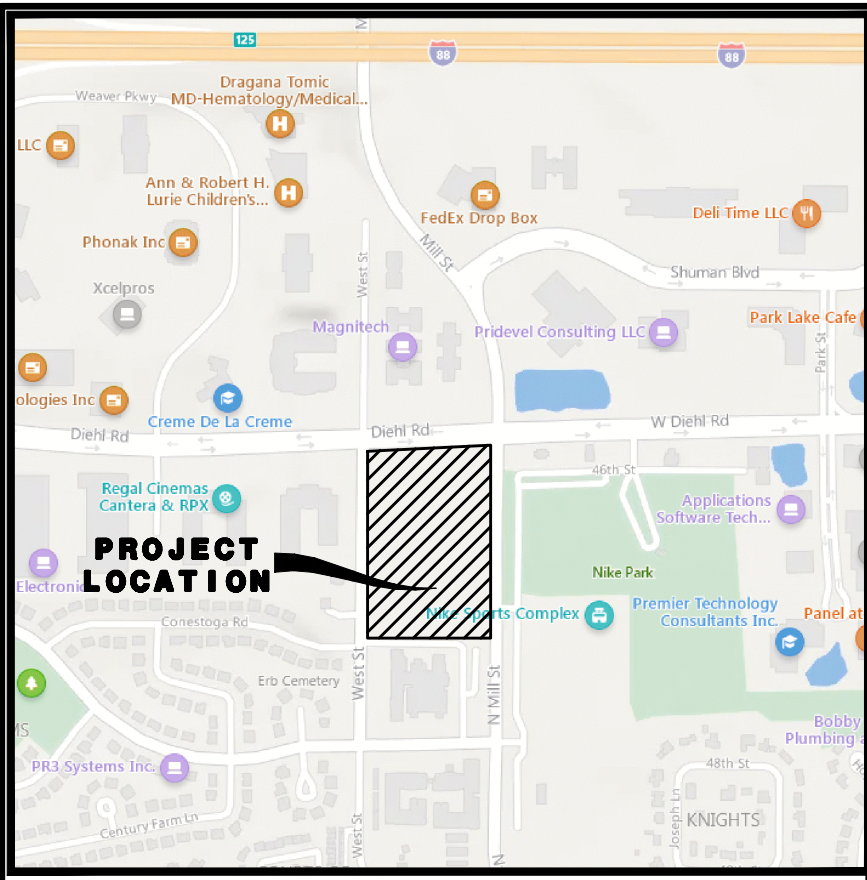
PREPARED BY:
CEMCON, Ltd.
Consulting Engineers, Land Surveyors & Planners
2280 White Oak Circle, Suite 100
Aurora, Illinois 60502-9675
PH: 630.862.2100 FAX: 630.862.2199
E-Mail: info@cemcon.com Website: www.cemcon.com

DISC NO.: 904426 FILE NAME: 2023-02-14 AUTOTURN
DRAWN BY: KMS FLD. BK. / PG. NO.: ----
COMPLETION DATE: 09-19-22 JOB NO.: 904.426
XREF : TOPO PROJECT MANAGER : RWB
REV: 09-30-22/KMS, 12-13-22/KMS

AUTOTURN EXHIBIT
THE PROSPERITA & ORION STEM SCHOOLS
CITY OF NAPERVILLE PROJECT NO.: 22-10000097

DRAWING PATH: P:\04426\DWG\DWG\DRAWINGS\EXHIBITS\2023-02-14 AUTOTURN\DWG

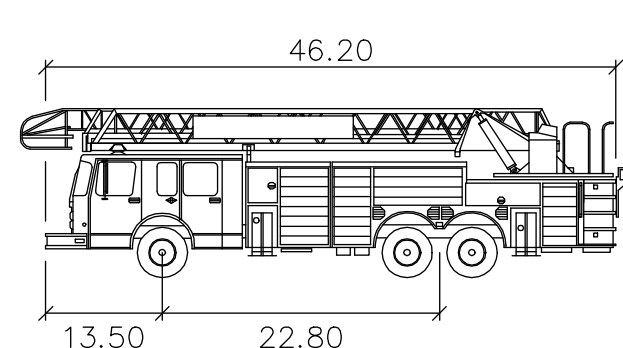
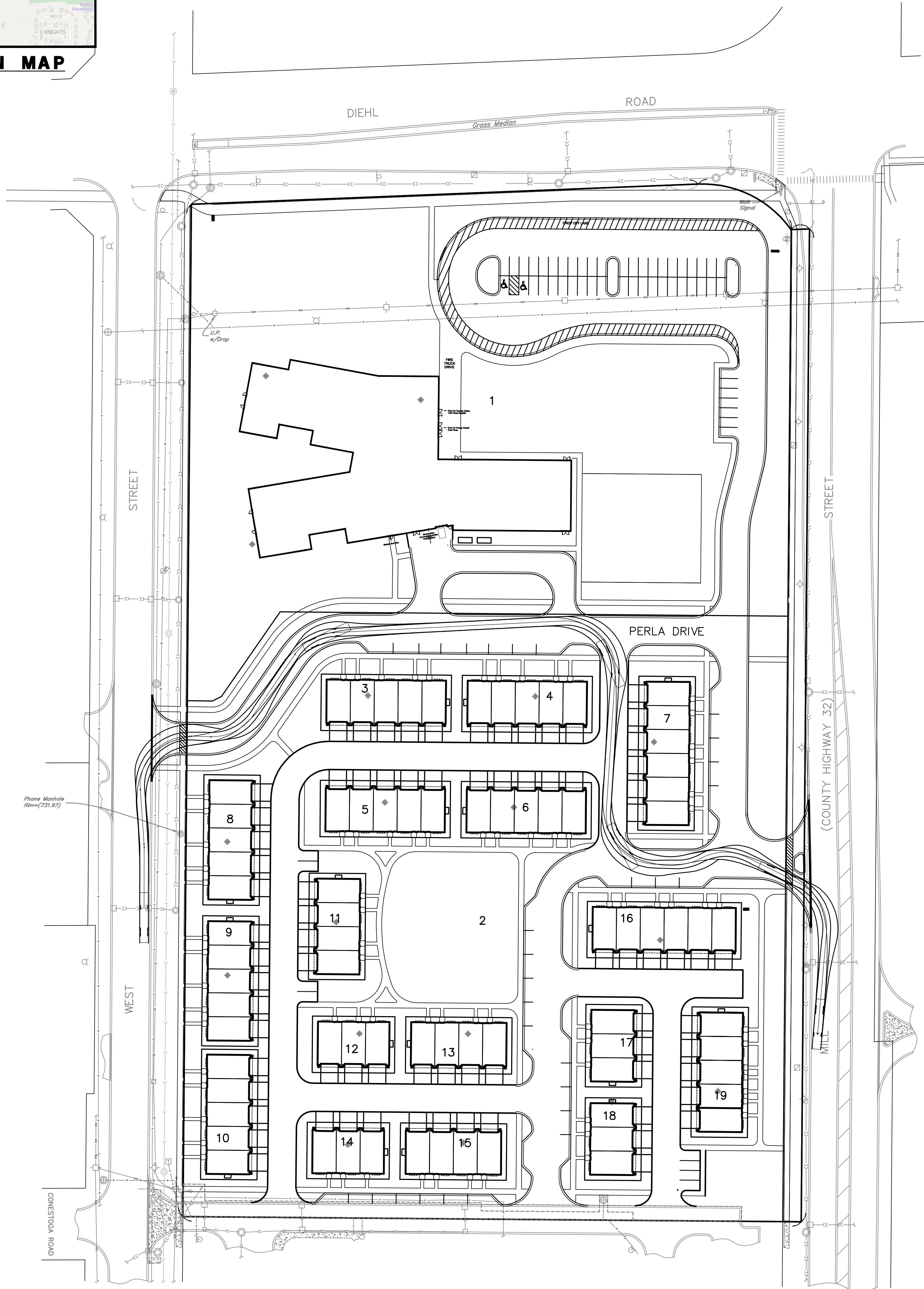
FOR THE PROSPERITA & ORION STEM SCHOOL



LOCATION MAP



50 25 0 50
SCALE: 1 INCH = 50 FEET



AERIAL PLATFORM
Width : 8.00
Track : 8.00
Lock to Lock Time : 6.00
Steering Angle : 30.00

PREPARED FOR:
VRUTTHI LLC
3644 WHITE EAGLE DRIVE
NAPERVILLE, ILLINOIS 60564
(630) 803-5768

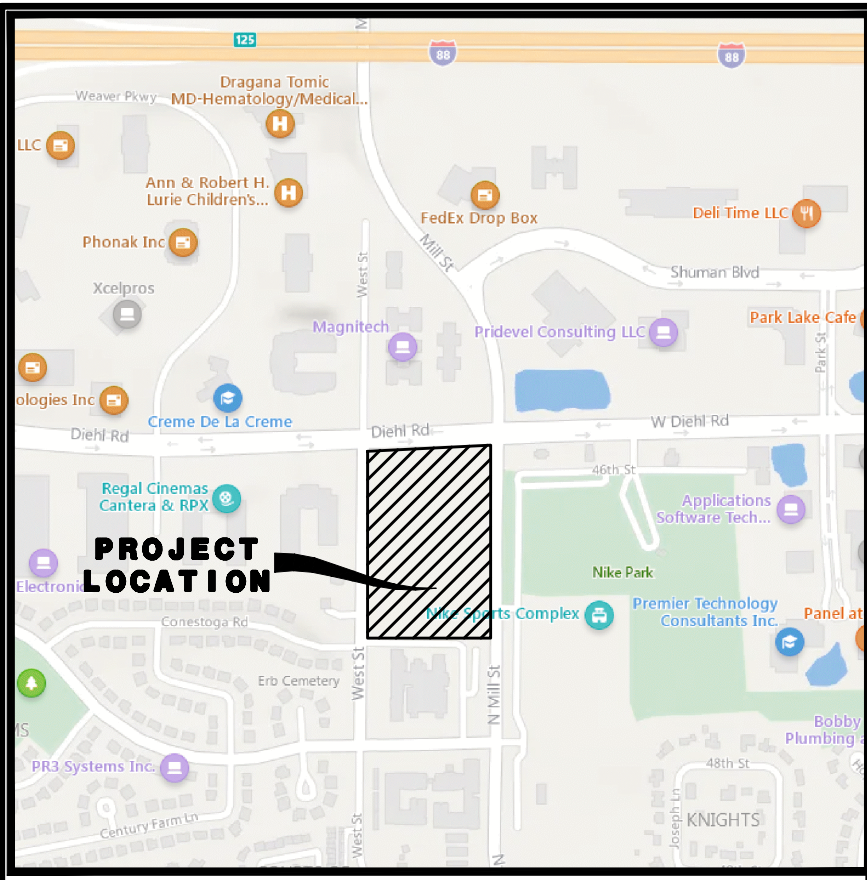
PREPARED BY:
CEMCON, Ltd.
Consulting Engineers, Land Surveyors & Planners
2280 White Oak Circle, Suite 100
Aurora, Illinois 60502-9675
PH: 630.862.2100 FAX: 630.862.2199
E-Mail: info@cemcon.com Website: www.cemcon.com

DISC NO.: 904426 FILE NAME: 2023-02-14 AUTOTURN
DRAWN BY: KMS FLD. BK. / PG. NO.: ----
COMPLETION DATE: 09-19-22 JOB NO.: 904.426
XREF : TOPO PROJECT MANAGER : RWB
REV: 09-30-22/KMS, 12-13-22/KMS, 02-14-23/KMS

AUTOTURN EXHIBIT
THE PROSPERITA & ORION STEM SCHOOLS
CITY OF NAPERVILLE PROJECT NO.: 22-10000097

PLT FILE CREATED: 2/14/2023 BY: KRISTIN STARKEL
DRAWING PATH: P:\904426\904426\DRAWINGS\EXHIBITS\2023-02-14 AUTOTURN

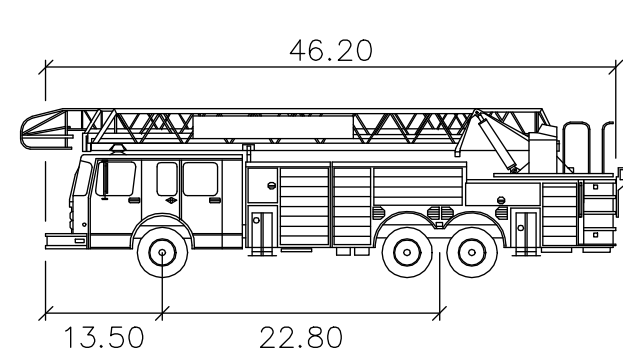
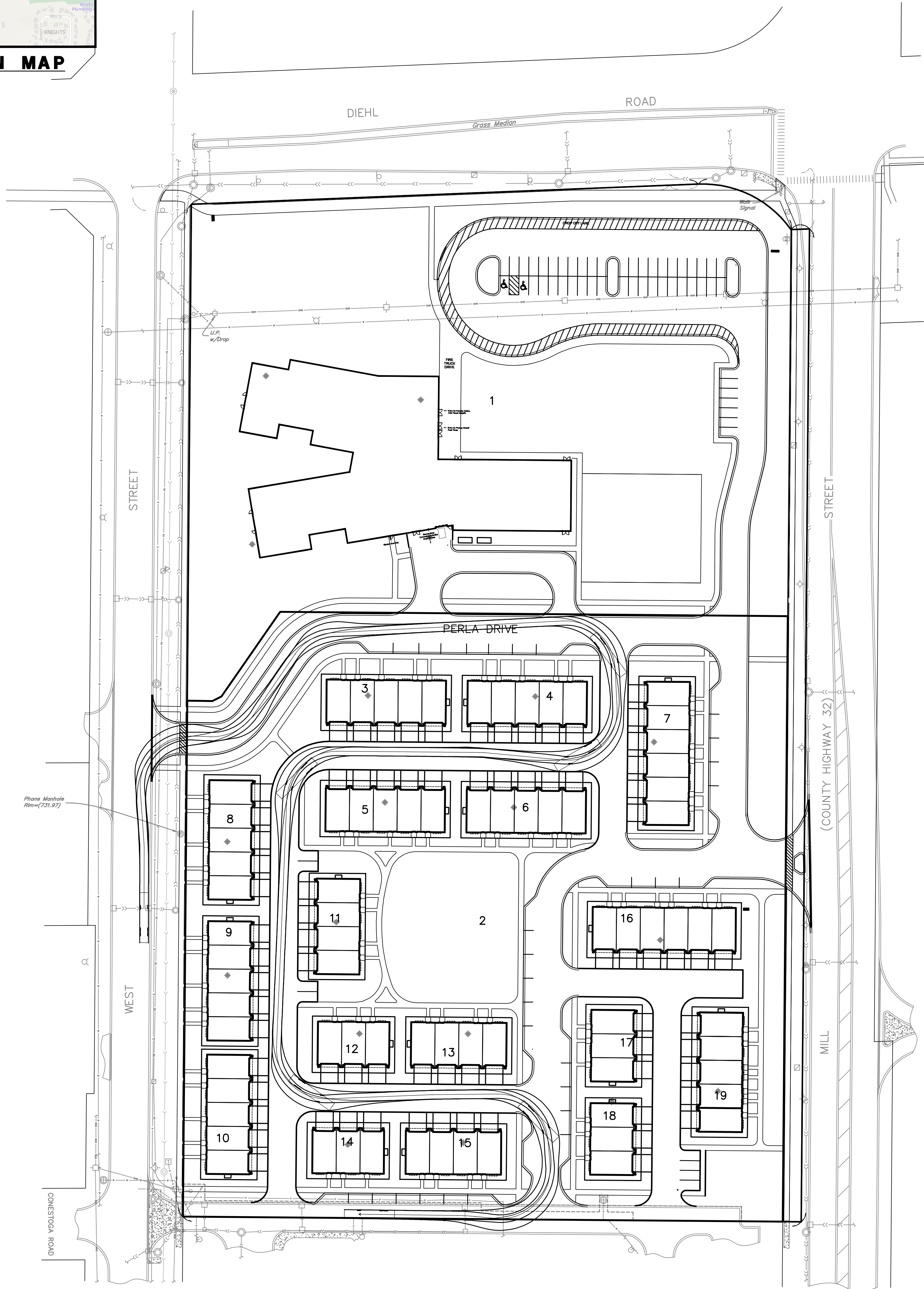
FOR THE PROSPERITA & ORION STEM SCHOOL



LOCATION MAP



50 25 0 50
SCALE: 1 INCH = 50 FEET



AERIAL PLATFORM
Width : 8.00
Track : 8.00
Lock to Lock Time : 6.00
Steering Angle : 30.00

PREPARED FOR:
VRUTTHI LLC
3644 WHITE EAGLE DRIVE
NAPERVILLE, ILLINOIS 60564
(630) 803-5768

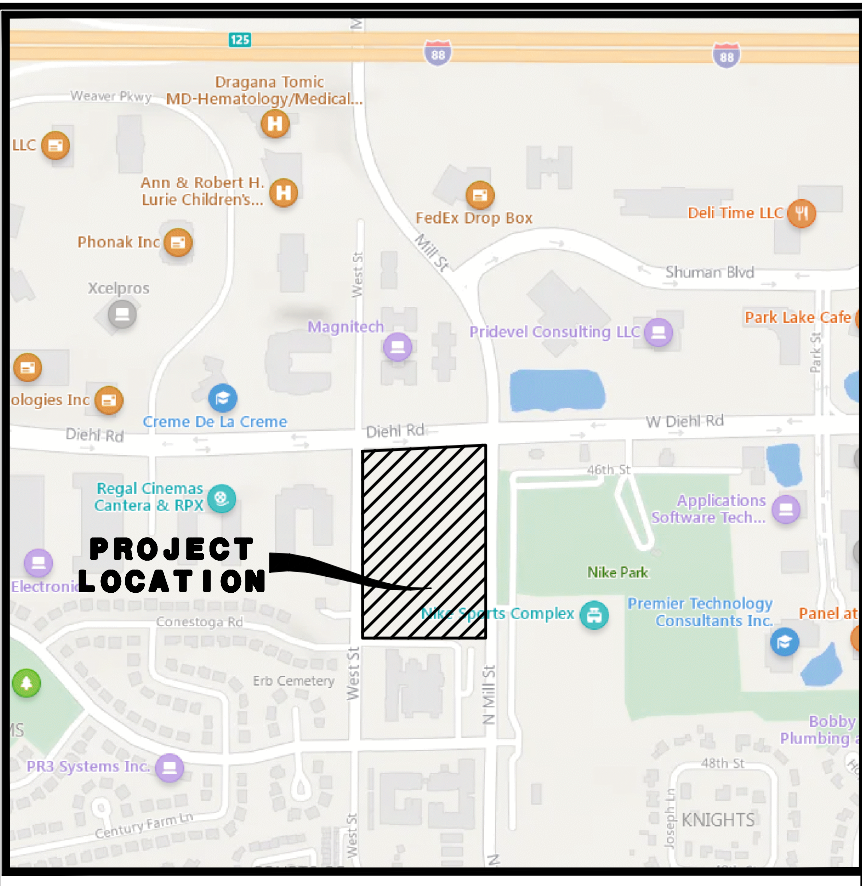
PREPARED BY:
CEMCON, Ltd.
Consulting Engineers, Land Surveyors & Planners
2280 White Oak Circle, Suite 100
Aurora, Illinois 60502-9675
PH: 630.862.2100 FAX: 630.862.2199
E-Mail: info@cemcon.com Website: www.cemcon.com

DISC NO.: 904426 FILE NAME: 2023-02-14 AUTOTURN
DRAWN BY: KMS FLD. BK. / PG. NO.: ----
COMPLETION DATE: 09-19-22 JOB NO.: 904.426
XREF : TOPO PROJECT MANAGER : RWB
REV: 09-30-22/KMS, 11-01-22/KMS, 12-13-22/KMS

AUTOTURN EXHIBIT
THE PROSPERITA & ORION STEM SCHOOLS
CITY OF NAPERVILLE PROJECT NO.: 22-10000097

PLT FILE CREATED: 2/14/2023 BY: KRISTIN STARKEL
DRAWING PATH: P:\004426\004426\DRAWINGS\EXHIBITS\2023-02-14 AUTOTURN

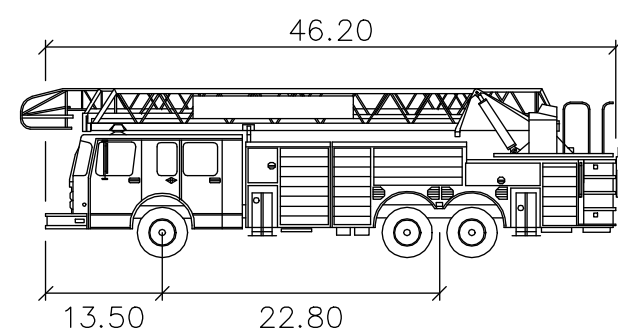
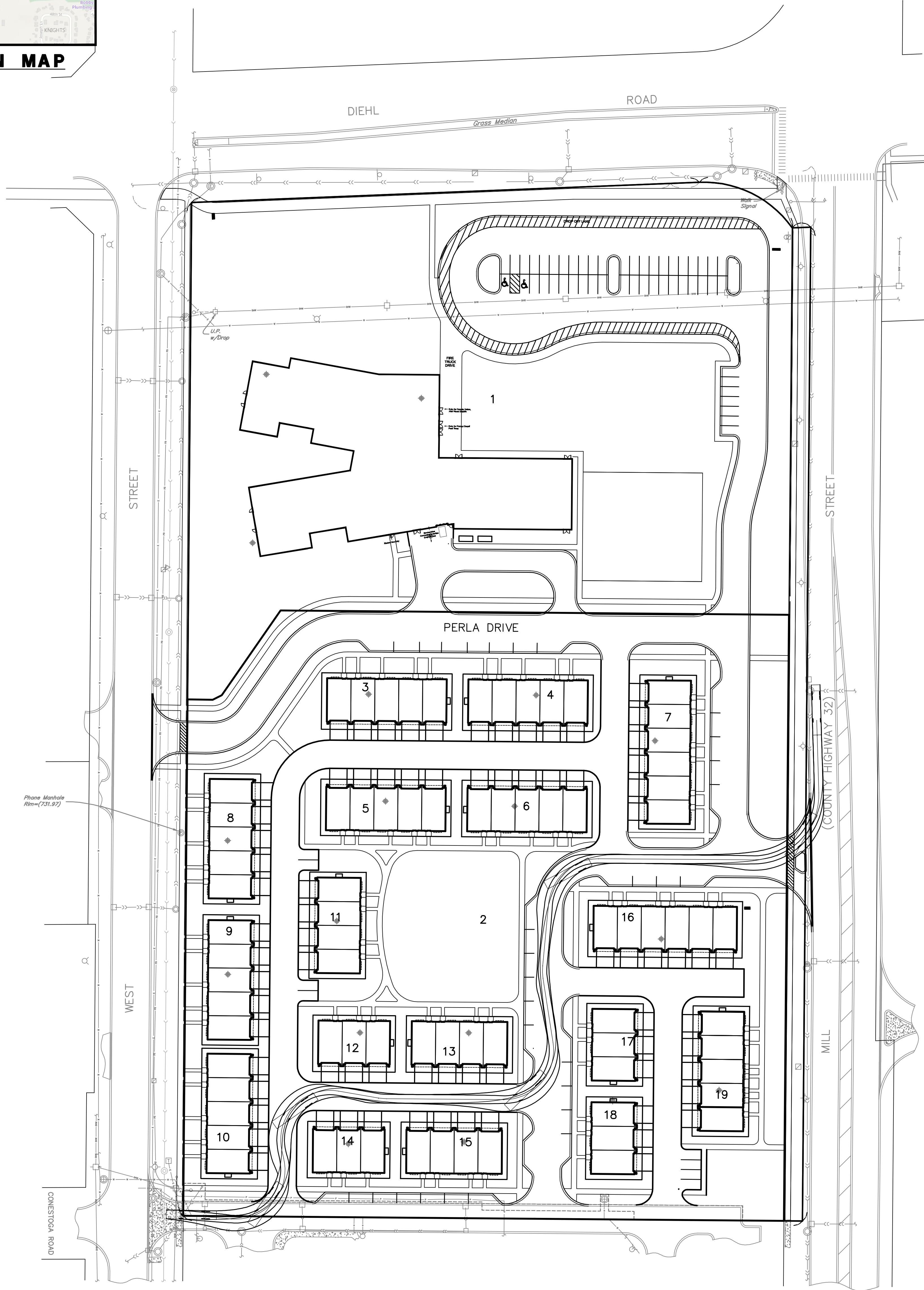
FOR THE PROSPERITA & ORION STEM SCHOOL



LOCATION MAP

N

50 25 0 50
SCALE: 1 INCH = 50 FEET



AERIAL PLATFORM

Width	: 8.00
Track	: 8.00
Lock to Lock Time	: 6.00
Steering Angle	: 30.00

PREPARED FOR:
VRUTTHI LLC
 3644 WHITE EAGLE DRIVE
 NAPERVILLE, ILLINOIS 60564
 (630) 803-5768

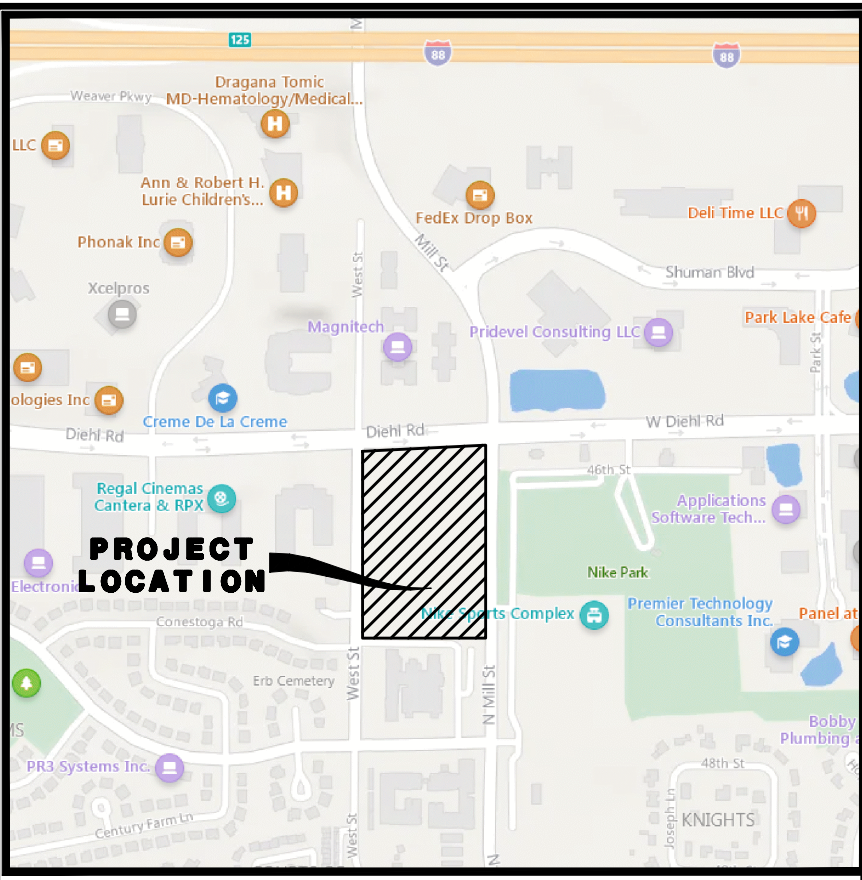
PREPARED BY:
CEMCON, Ltd.
 Consulting Engineers, Land Surveyors & Planners
 2280 White Oak Circle, Suite 100
 Aurora, Illinois 60502-9675
 PH: 630.862.2100 FAX: 630.862.2199
 E-Mail: info@cemcon.com Website: www.cemcon.com

DISC NO.: 904426 FILE NAME: 2023-02-14 AUTOTURN
 DRAWN BY: KMS FLD. BK. / PG. NO.: ----
 COMPLETION DATE: 09-19-22 JOB NO.: 904.426
 XREF : TOPO PROJECT MANAGER : RWB
 REV: 09-30-22/KMS, 11-01-22/KMS, 12-13-22/KMS,
 02-14-23/KMS

AUTOTURN EXHIBIT
THE PROSPERITA & ORION STEM SCHOOLS
CITY OF NAPERVILLE PROJECT NO.: 22-10000097

PLT FILE CREATED: 2/14/2023 BY: KRISTIN STARKEL DRAWING PATH: P:\004426\00\DRAWINGS\EXHIBITS\2023-02-14 AUTOTURN

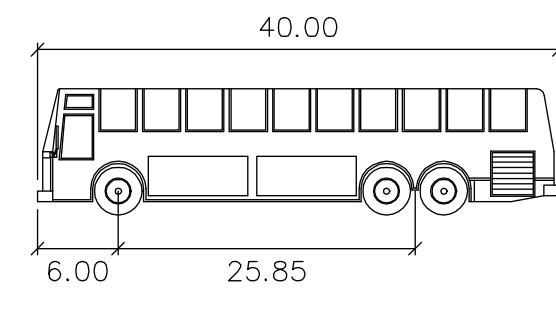
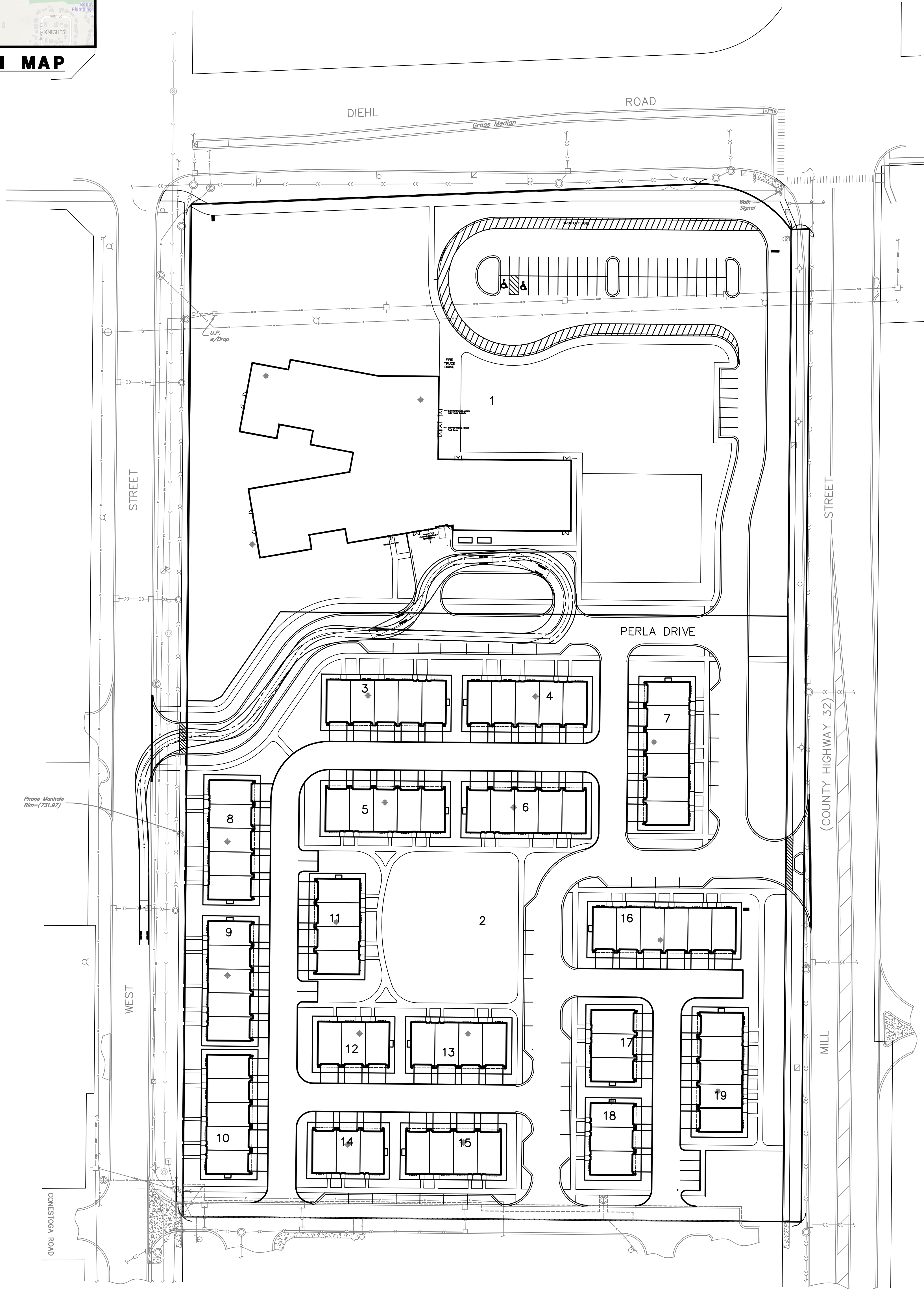
FOR THE PROSPERITA & ORION STEM SCHOOL



LOCATION MAP



50 25 0 50
SCALE: 1 INCH = 50 FEET



BUS-40 feet
Width : 8.50
Track : 8.50
Lock to Lock Time : 6.00
Steering Angle : 39.30

PREPARED FOR:
VRUTTHI LLC
3644 WHITE EAGLE DRIVE
NAPERVILLE, ILLINOIS 60564
(630) 803-5768

PREPARED BY:
CEMCON, Ltd.
Consulting Engineers, Land Surveyors & Planners
2280 White Oak Circle, Suite 100
Aurora, Illinois 60502-9675
PH: 630.862.2100 FAX: 630.862.2199
E-Mail: info@cemcon.com Website: www.cemcon.com

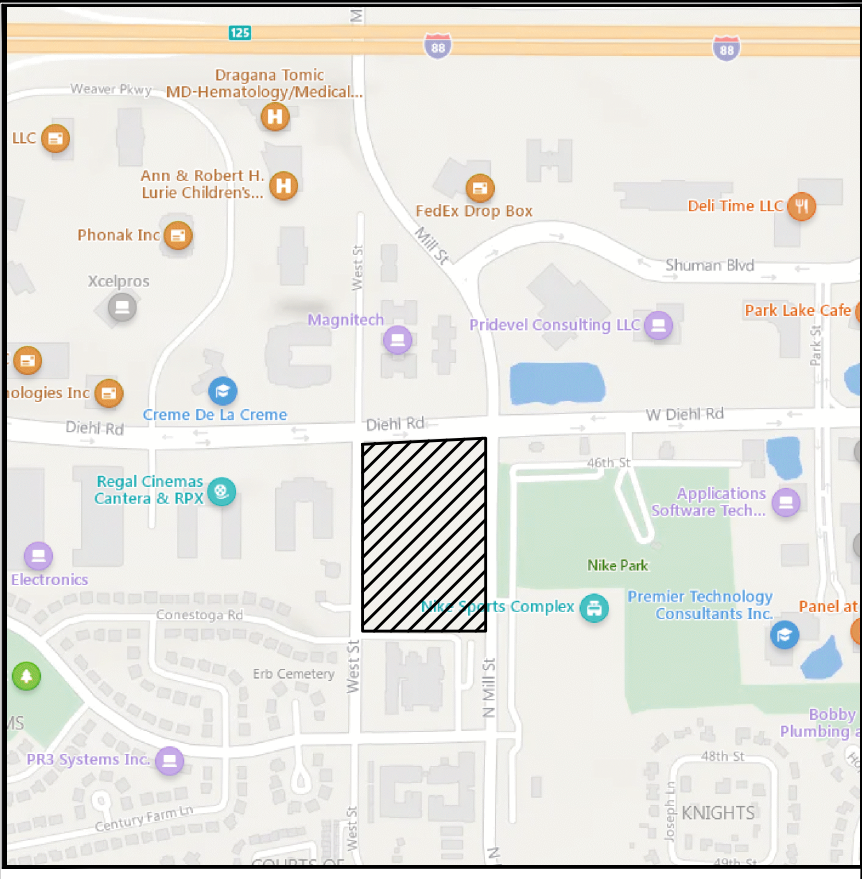
DISC NO.: 904426 FILE NAME: 2023-02-14 AUTOTURN
DRAWN BY: KMS FLD. BK. / PG. NO.: ----
COMPLETION DATE: 09-26-22 JOB NO.: 904.426
XREF : TOPO PROJECT MANAGER : RWB
REV: 09-30-22/KMS, 12-13-22/KMS

AUTOTURN EXHIBIT
THE PROSPERITA & ORION STEM SCHOOLS
CITY OF NAPERVILLE PROJECT NO.: 22-10000097

DRAWING PATH: P:\004426\00\DRAWINGS\EXHIBITS\2023-02-14 AUTOTURN\DWG

FOR

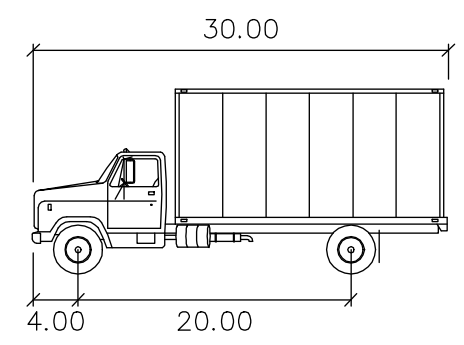
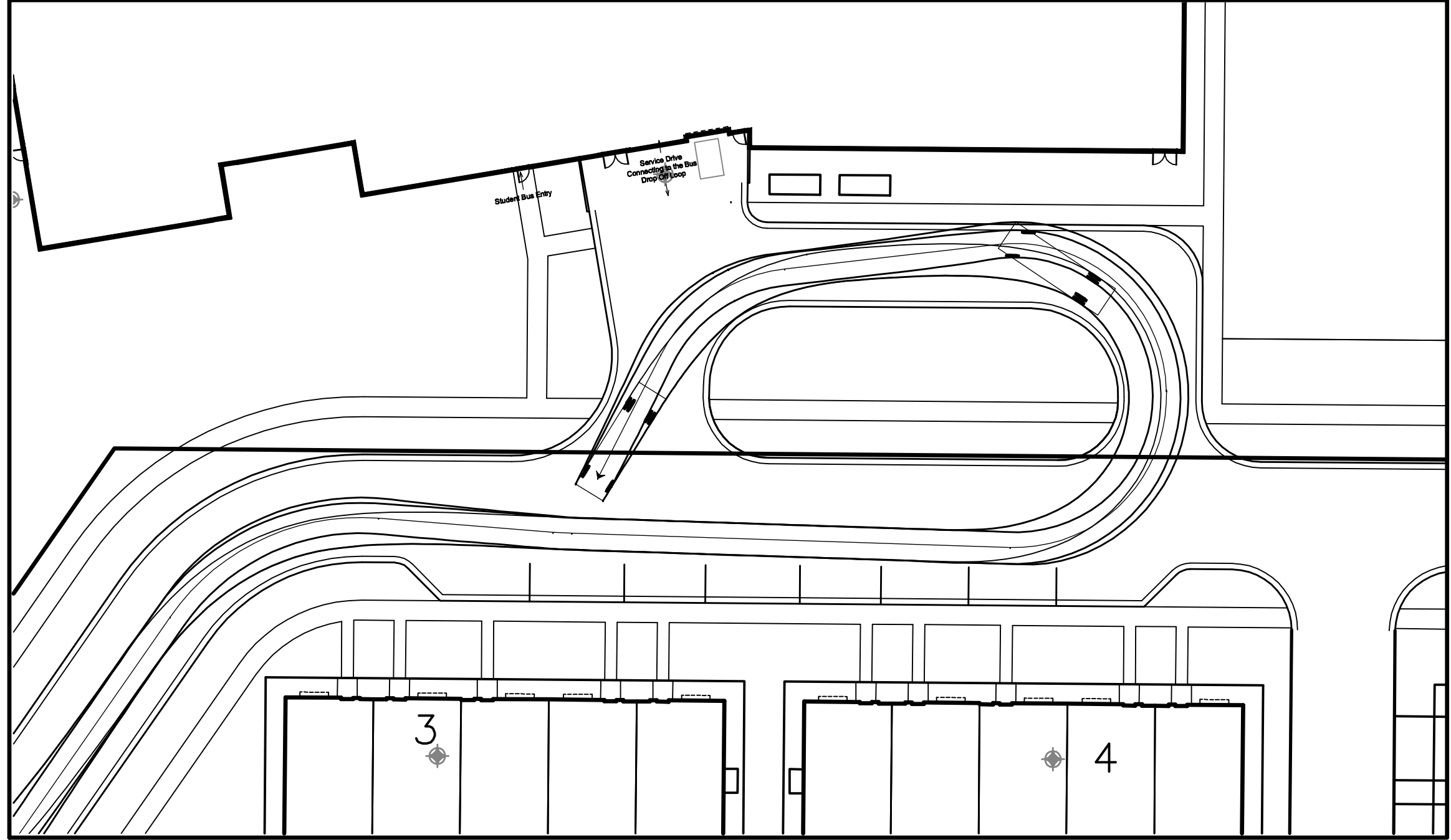
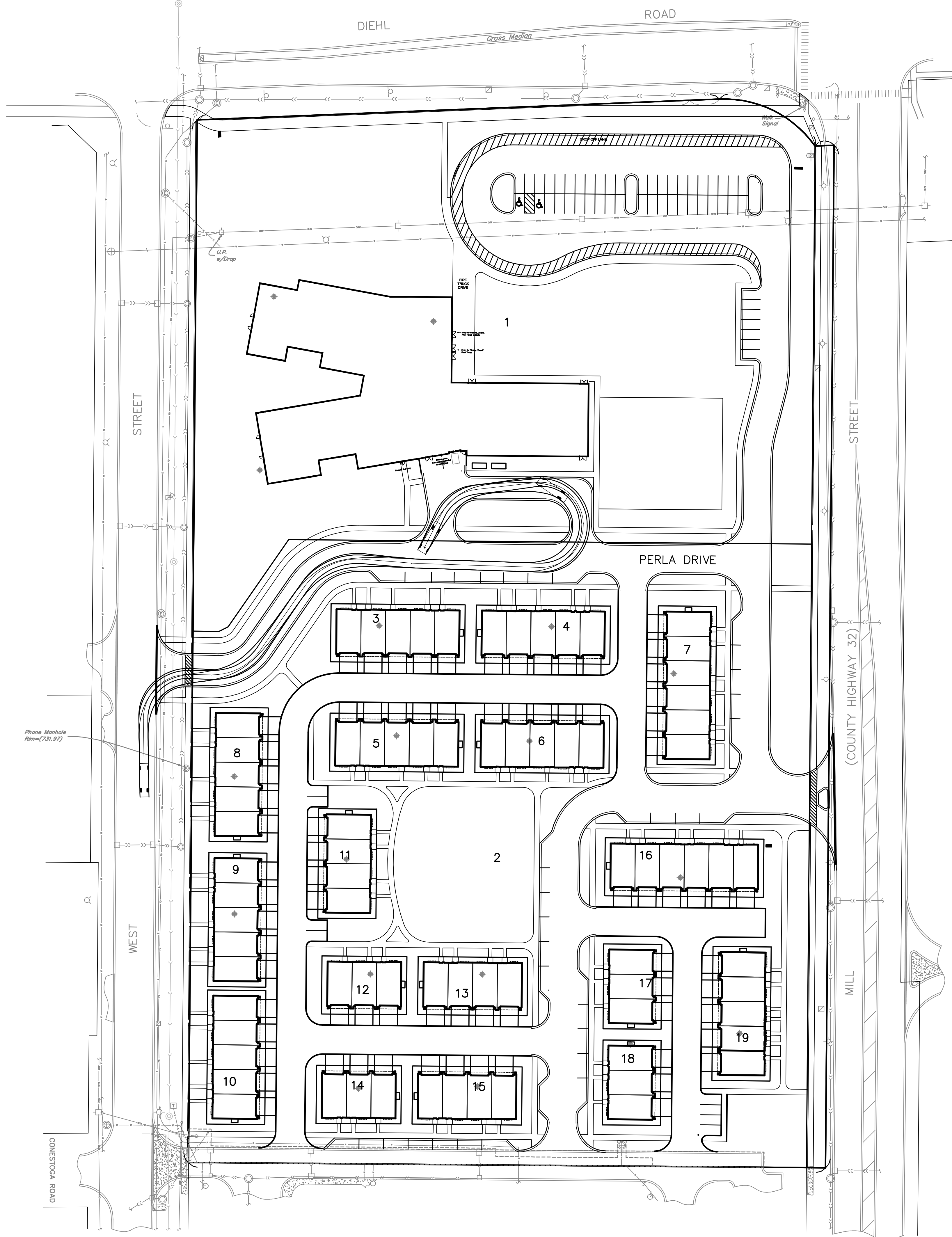
THE PROSPERITA & ORION STEM SCHOOL



LOCATION MAP



50 25 0 50
SCALE: 1 INCH = 50 FEET



SU feet
Width : 8.00
Track : 8.00
Lock to Lock Time : 6.00
Steering Angle : 31.80

PREPARED FOR:
VRUTTHI LLC
3644 WHITE EAGLE DRIVE
NAPERVILLE, ILLINOIS 60564
(630) 803-5768

PREPARED BY:
CEMCON, Ltd.
Consulting Engineers, Land Surveyors & Planners
2280 White Oak Circle, Suite 100
Aurora, Illinois 60502-9675
PH: 630.862.2100 FAX: 630.862.2199
E-Mail: info@cemcon.com Website: www.cemcon.com

DISC NO.: 904426 FILE NAME: 2023-02-14 AUTOTURN
DRAWN BY: KMS FLD. BK. / PG. NO.: ----
COMPLETION DATE: 09-26-22 JOB NO.: 904.426
XREF : TOPO PROJECT MANAGER : RWB
REV: 09-30-22/KMS, 12-13-22/KMS, 01-26-23/KMS

AUTOTURN EXHIBIT
THE PROSPERITA & ORION STEM SCHOOLS
CITY OF NAPERVILLE PROJECT NO.: 22-10000097

PLT FILE CREATED: 2/14/2023 BY: KRISTIN STARKEL DRAWING PATH: P:\004426\DWG\DRAWINGS\EXHIBITS\2023-02-14 AUTOTURN.DWG