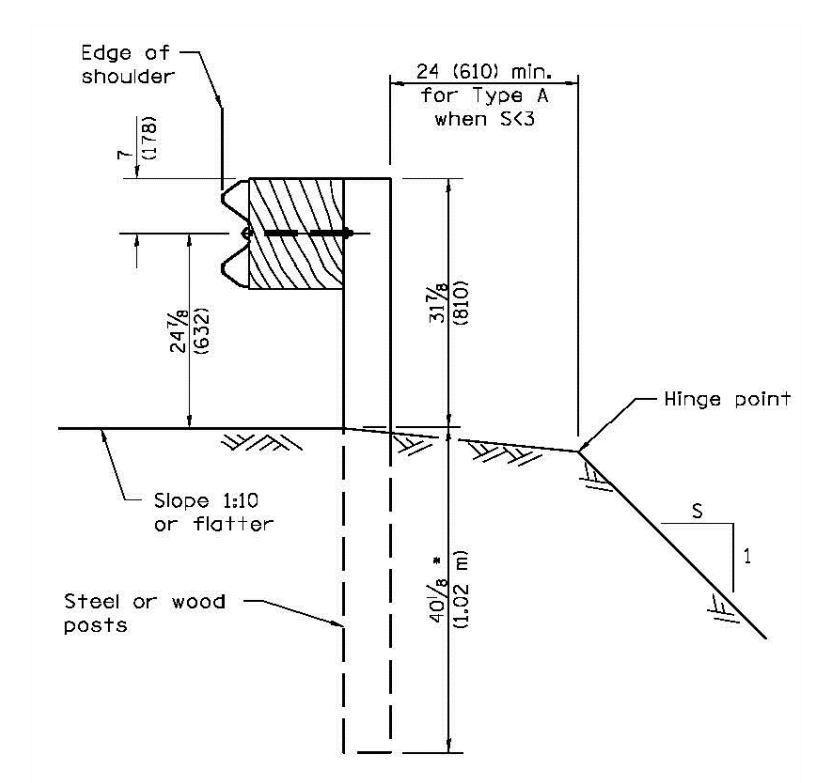
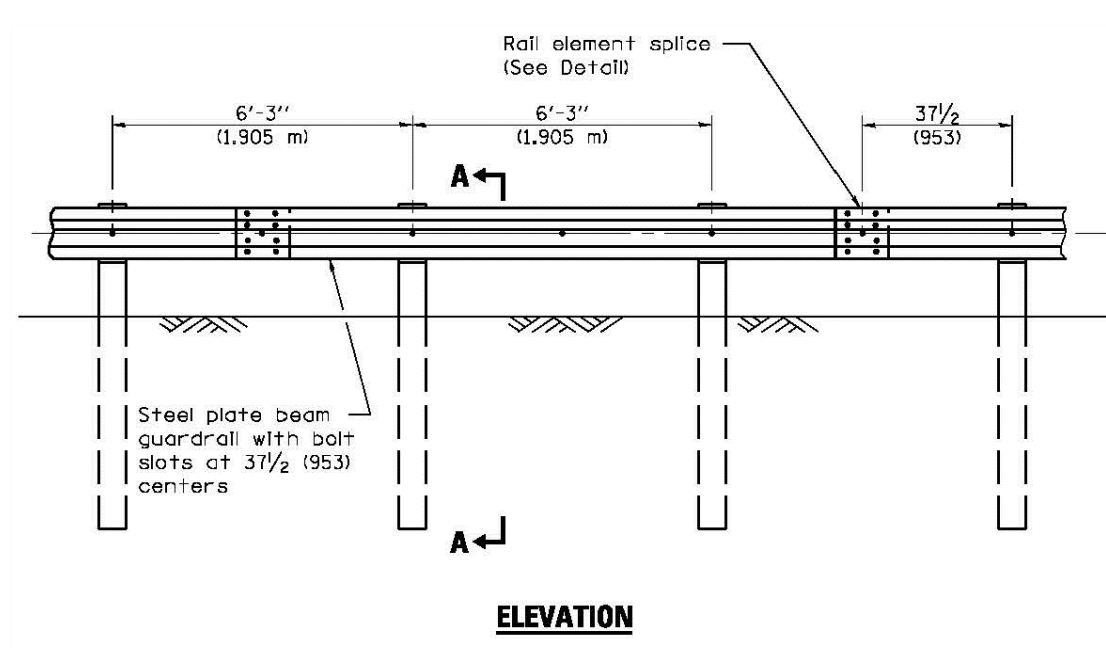
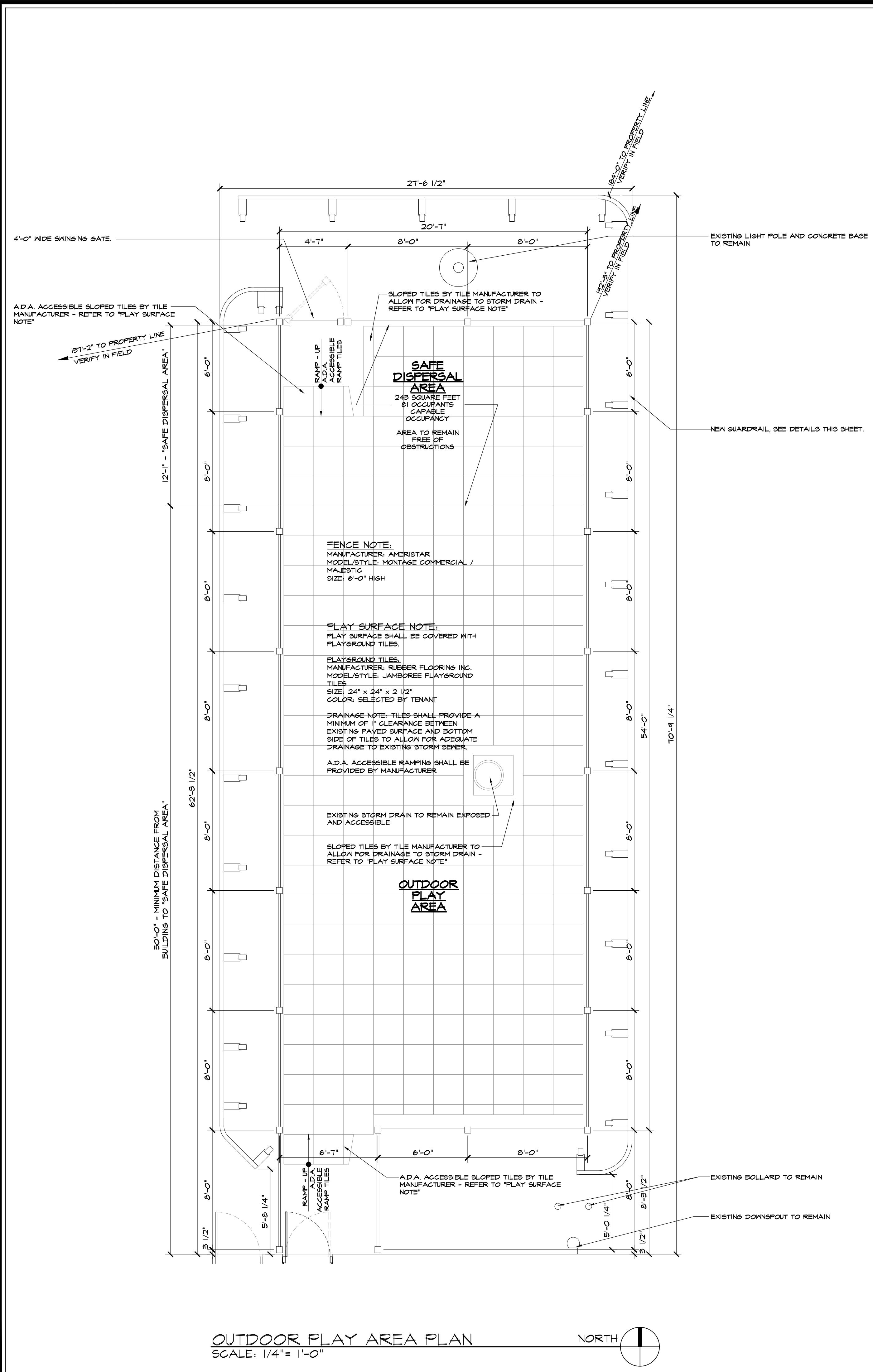
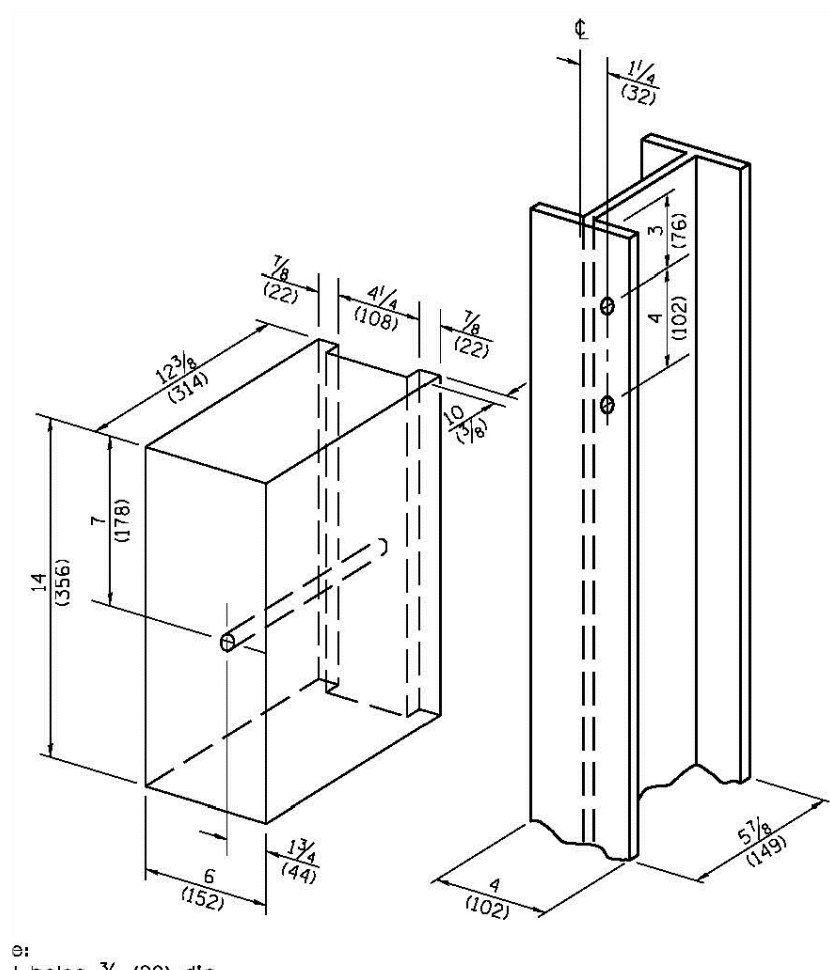


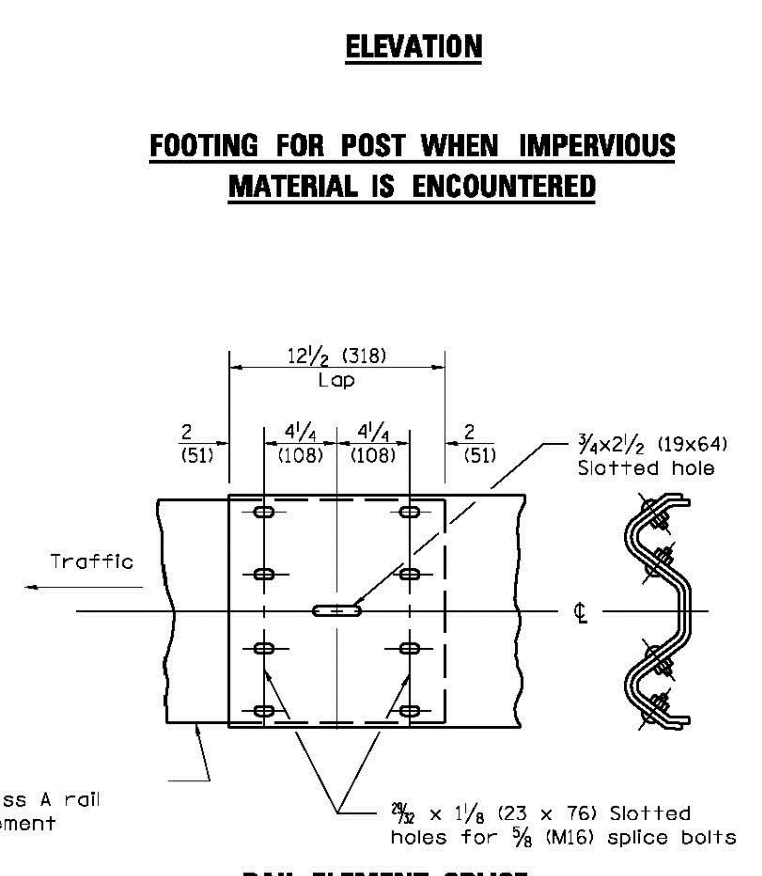
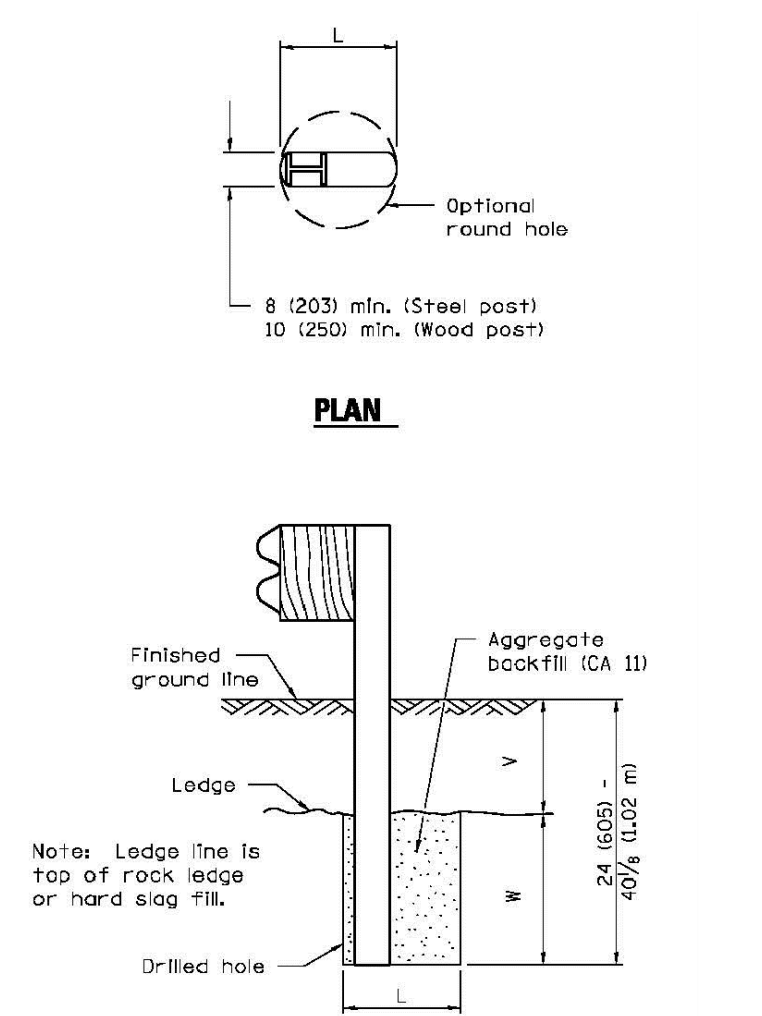
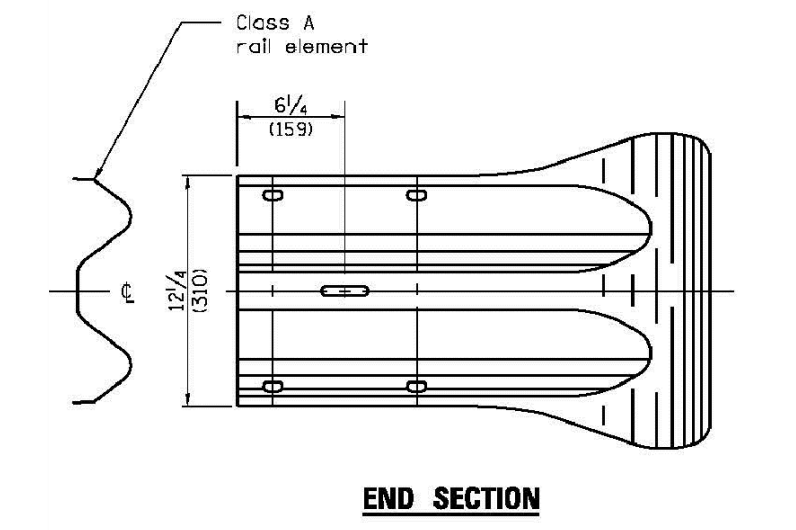
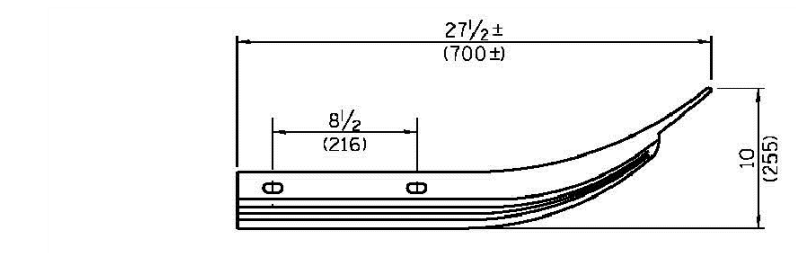
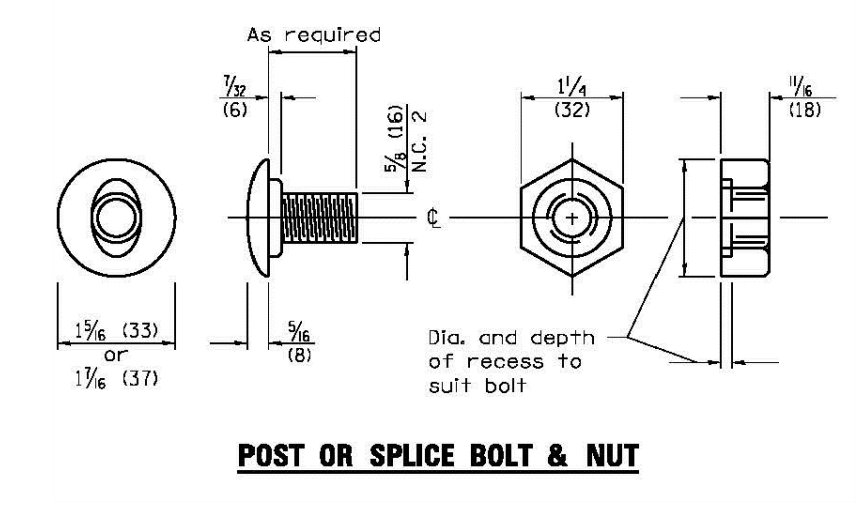
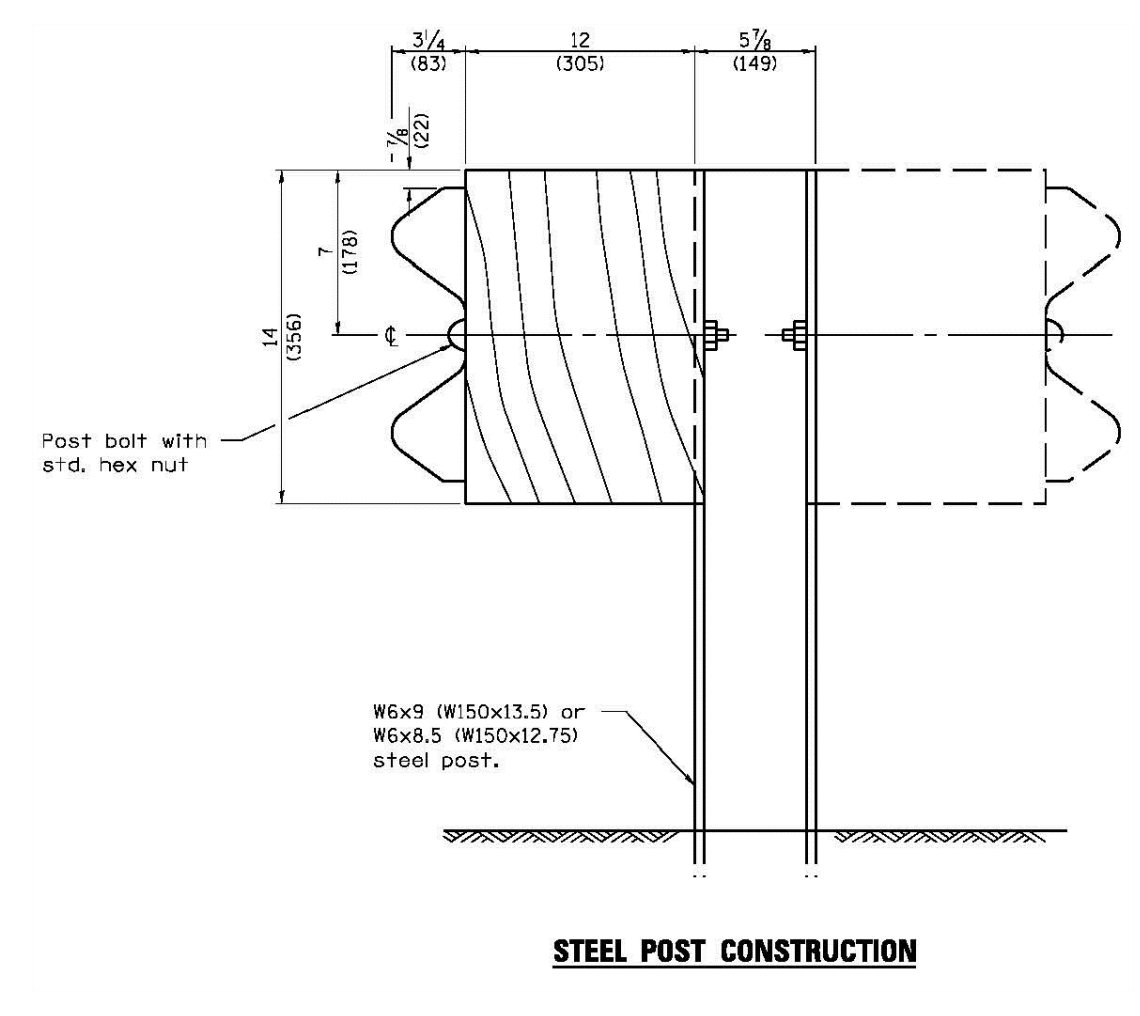
C:\Users\Public\VPN - Job Files\18-142 - Riverbrook Child Care\Construction Drawings\CD-1 - Rev. 1 - Guard Rail\18-142 - Floor Plan - Guard Rail_Site.dwg 13000 Feb 11, 2019 9:38:43 am



• When "S" is less than 3 and the distance from the back of post is less than 24 (610), the post shall be steel and the embedment shall be 76/8 (1934).



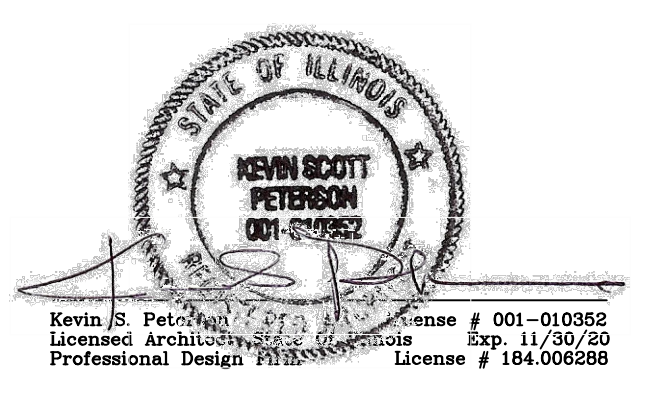
Ø1 notes 3/4" (20) dia.



TENANT:
RIVERBROOK DAYCARE

BUILDING:
1567 NORTH AURORA ROAD
SUITE 127
NAPERVILLE, ILLINOIS

Project 18-142 FOR BUILDING PERMIT	K. PETERSON ASSOCIATES ARCHITECTS 345 SPRING AVENUE NAPERVILLE, ILLINOIS 60540 PH: 630.848.1315
Date 02-11-19	Sheet 1 of 1
Revisions	SITE PLAN



C:\Users\Public\VPN - Job Files\18-142 - Riverbrook Child Care\Construction Drawings\CD-1 - Rev. 1 - Guard Rail\18-142 - Floor Plan - Guard Rail_Site.dwg 13000 Feb 11, 2019 9:38:43 am