

10 MARTIN MEDICAL OFFICE BUILDING

CONCEPTUAL NORTH ELEVATION

1/16" = 1'-0"

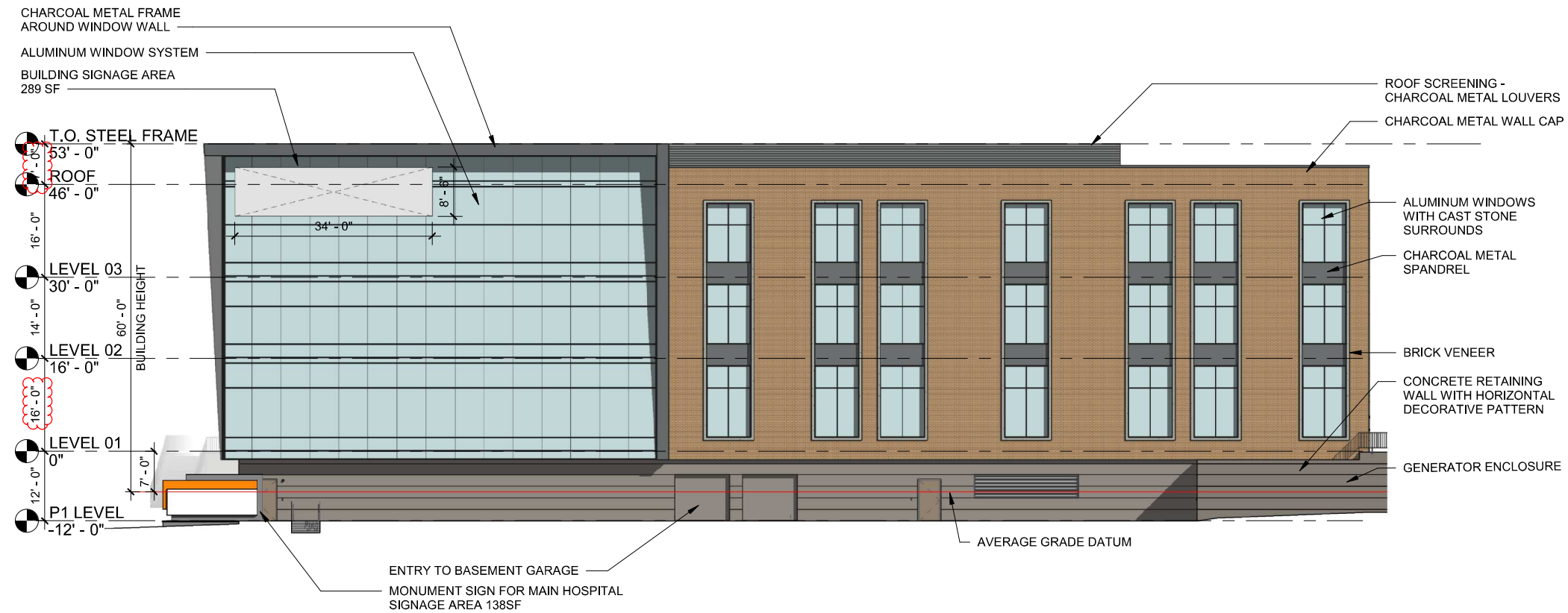
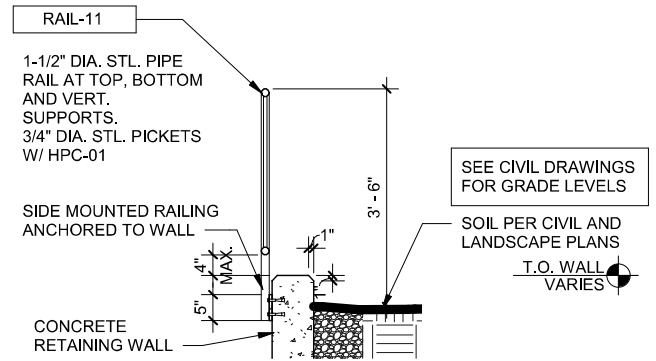
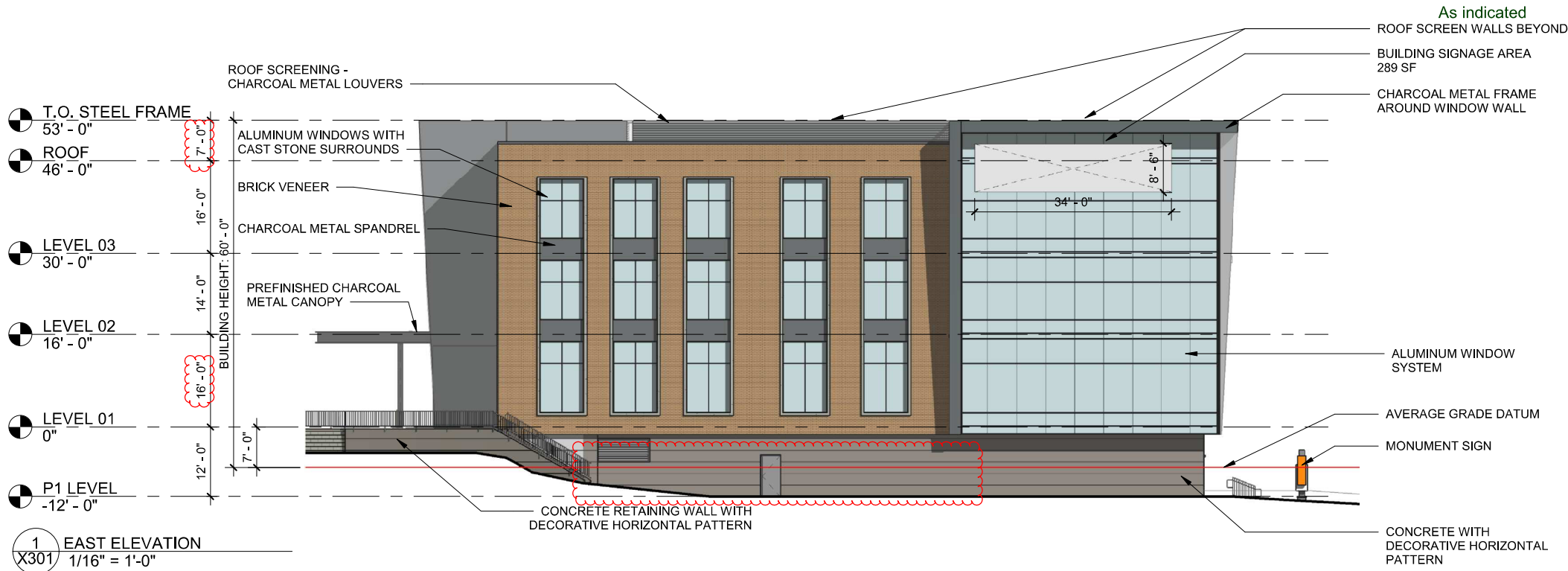


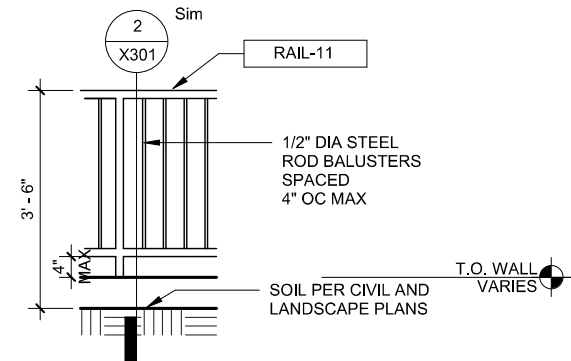
EXHIBIT H

10 MARTIN MEDICAL OFFICE BUILDING

CONCEPTUAL EAST ELEVATION



2 EXTERIOR RETAINING WALL CURB AND RAILING DETAIL
1/2" = 1'-0"



3 RAILING AND GUARDRAIL AT TOP LANDING DETAIL
1/2" = 1'-0"



10 MARTIN MEDICAL OFFICE BUILDING

CONCEPTUAL SOUTH ELEVATION

1/16" = 1'-0"

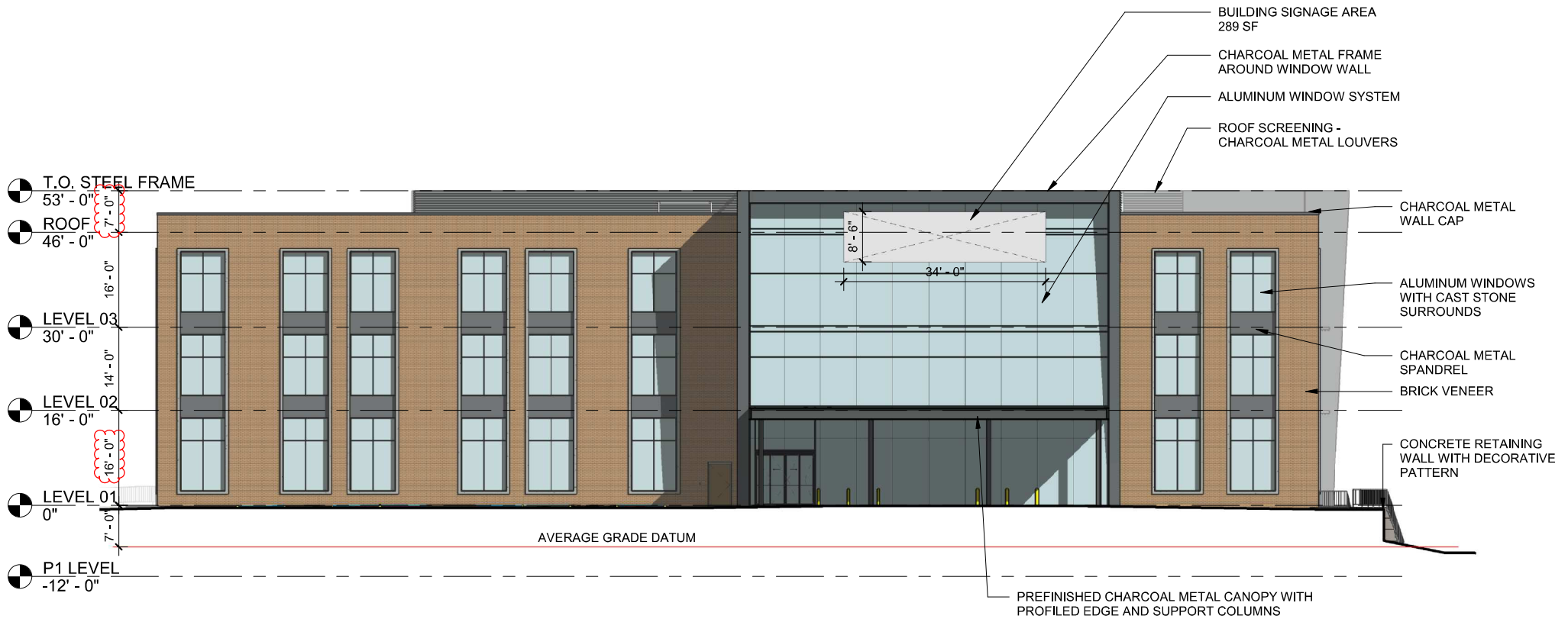


EXHIBIT H

10 MARTIN MEDICAL OFFICE BUILDING

CONCEPTUAL WEST ELEVATION

1/16" = 1'-0"



EXHIBIT H