

DANIEL WEINBACH & PARTNERS, LTD.
Landscape Architects

53 W. Jackson Blvd.
Suite 250
Chicago, IL 60604

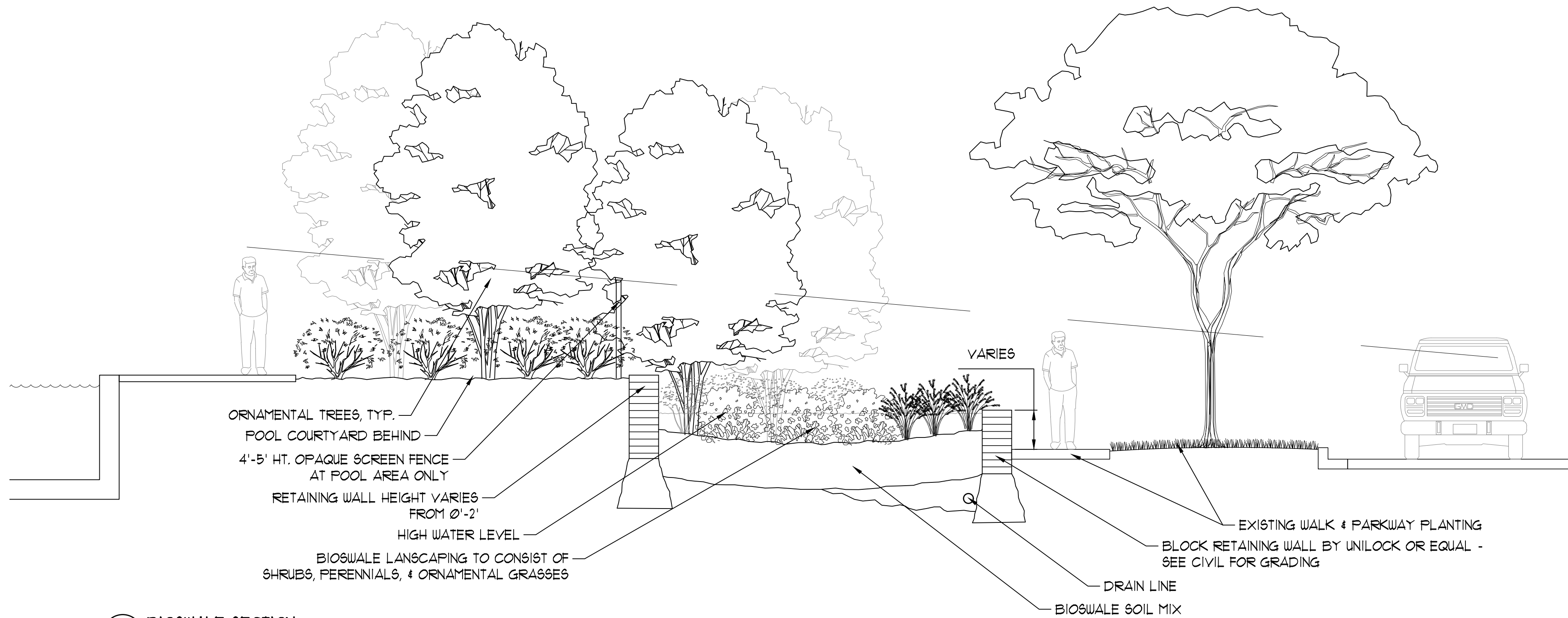
312.427.2888
www.dwpltd.com

LANDSCAPE PLANT LIST - (WEST)

CODE	BOTANICAL NAME	COMMON NAME	SIZE	ADDITIONAL NOTES
SHADE TREES				
AF	ACER x FREEMANII 'JEFFERSRED'	AUTUMN BLAZE MAPLE	3" CALIPER	BRANCHED UP 6'
AS	ACER MIYABEI 'MORTON'	STATE STREET MAPLE	3" CALIPER	BRANCHED UP 6'
GB	GINKGO BILOBA 'AUTUMN GOLD'	AUTUMN GOLD GINKGO	3" CALIPER	BRANCHED UP 6'
GT	GLEDITSIA T. VAR. INERMIS 'SKYLINE'	SKYLINE HONEYLOCUST	3" CALIPER	BRANCHED UP 6'
UP	ULMUS AMERICANA 'PRINCETON'	PRINCETON ELM	3" CALIPER	BRANCHED UP 6'
ORNAMENTAL TREES				
AP	ACER PALATMUM	JAPANESE MAPLE	8' HT x 6' W	
ML	MAGNOLIA LOEBNERI 'MERRILL'	MERRILL MAGNOLIA	9' HT x 5' W	CLUMP FORM
SR	SYRINGA RETICULATA 'IVORY SILK'	IVORY SILK JAPANESE TREE LILAC	8' HT x 6' W	
DECIDUOUS SHRUBS				
DR	DIERVILLA 'KODIAK RED'	KODIAK RED DIERVILLA	18' HT x 18' W	
DO	DIERVILLA 'KODIAK ORANGE'	KODIAK ORANGE DIERVILLA	18' HT x 18' W	
HL	HYDRANGEA PANICULATA 'LITTLE LAMB'	LITTLE LAMB HYDRANGEA	36" HT x 36" W	
HJ	HYDRANGEA PANICULATA 'LITTLE LIME'	LITTLE LIME HYDRANGEA	18" HT x 18" W	
HQ	HYDRANGEA PANICULATA 'LITTLE QUICKFIRE'	LITTLE QUICKFIRE HYDRANGEA	18" HT x 18" W	
HT	HYDRANGEA SERRATA TUFF STUFF 'MAK20'	TUFF STUFF HYDRANGEA	18" HT x 18" W	
RA	RHUS AROMATICA 'GRO-LOW'	GRO-LOW SUMAC	18" HT x 24" W	
SP	SYRINGA MEYER 'PALIBIN'	DWARF KOREAN LILAC	30" HT x 30" W	
EVERGREEN SHRUBS				
JC	JUNIPERUS CHINENSIS KALLAY'S COMPACT	KALLY'S COMPACT JUNIPER	24" HT x 24" W	
TD	TAXUS X MEDIA DENSFORMIS	DENSE YEW	24" HT x 24" W	
PERENNIALS, ORNAMENTAL GRASSES AND GROUNDCOVERS				
MP	ASTILBE SP.	ASTILBE SP.	1 GALLON	
	CALAMAGROSTIS ACUT. KARL FOERSTER'	FEATHER REED GRASS	1 GALLON	
	COREOPSIS SP.	COREOPSIS SP.	1 GALLON	
	ECHINACEA SP.'	CONEFLOWER SP.	1 GALLON	
	GERANIUM SANGUINEUM 'MAX FREI'	MAX FREI BLOODY CRANESBILL	1 GALLON	
	HEDERA HELIX	ENGLISH IVY	3" POT	
	HEMEROCALLIS SP.	DAYLILY SP.	1 GALLON	
	HEUCHERA SP.	CORALBELLS SP.	1 GALLON	
	HOSTA SP.	HOSTA SP.	1 GALLON	
	LIATRIS SPICATA 'KOBOLD'	KOBOLD BLAZING STAR	1 GALLON	
	LIRIOPE SPICATA	CREEPING LILYTURF	3" POT	
	MISCANTHUS SINENSIS PURPURASCENS	PURPLE MAIDEN	3 GALLON	
	NEPETA SP.	CATMINT SP.	1 GALLON	
	PANICUM SP.	SWITCHGRASS SP.	1 GALLON	
	PENNISETUM SP.	FOUNTAIN GRASS SP.	1 GALLON	
	PEROVSKIA ATRIPLICIFOLIA	RUSSIAN SAGE	1 GALLON	
	PACHYSANDRA TERMINALIS 'GREEN CARPET'	GREEN CARPET PACHYSANDRA	3" POT	
	RUDEBECKIA FULGIDA 'GOLDSTURM'	BLACK-EYED SUSAN	1 GALLON	
	SALVIA SP.	SALVIA SP.	1 GALLON	
	YINCA MINOR 'DART'S BLUE'	DART'S BLUE PERIWINKLE	3" POT	

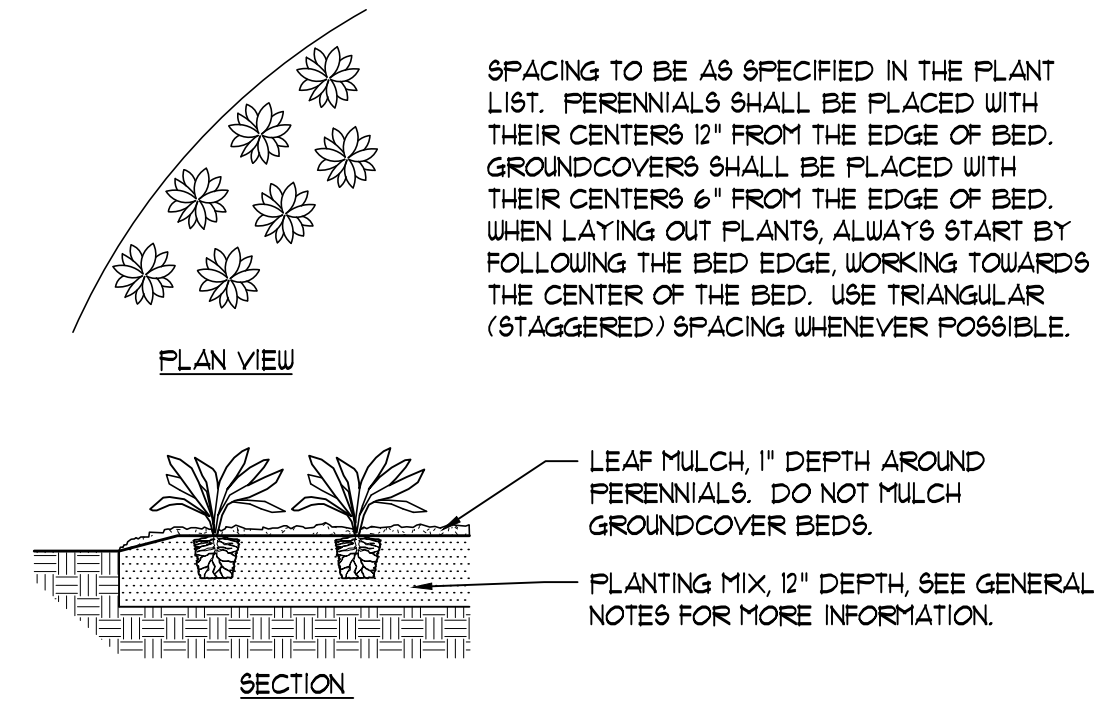
BIOSWALE PLANT LIST (WEST)

CODE	BOTANICAL NAME	COMMON NAME	SIZE	ADDITIONAL NOTES
DECIDUOUS TREES				
AG	ALNUS GLUTINOSA	EUROPEAN BLACK ALDER	10' HT x 6' W	CLUMP FORM
BN	BETULA NIGRA	RIVER BIRCH	10' HT x 6' W	CLUMP FORM
DECIDUOUS SHRUBS				
AM	ARONIA 'AUTUMN MAGIC'	CHOKEBERRY SP.	30" HT x 30" W	
CA	CLETHRA 'HUMMINGBIRD'	SUMMERSWEET SP.	24" HT x 24" W	
CS	CORNUS SERICEA BERESON'S COMPACT	REDTWIG DOGWOOD SP.	36" HT x 30" W	
PERENNIALS, ORNAMENTAL GRASSES AND GROUNDCOVERS				
BP	ASTER SP.	ASTER SP.	1 GALLON	
	BOUTLOUJA CURTIPENDULA	SIDE OATS GRAMA	1 GALLON	
	IRIS SP.	IRIS SP.	1 GALLON	
	LOBELIA CARDINALIS	CARDINAL FLOWER	1 GALLON	
	SCHIZACHYRIUM SCOPARIUM	LITTLE BLUESTEM	1 GALLON	



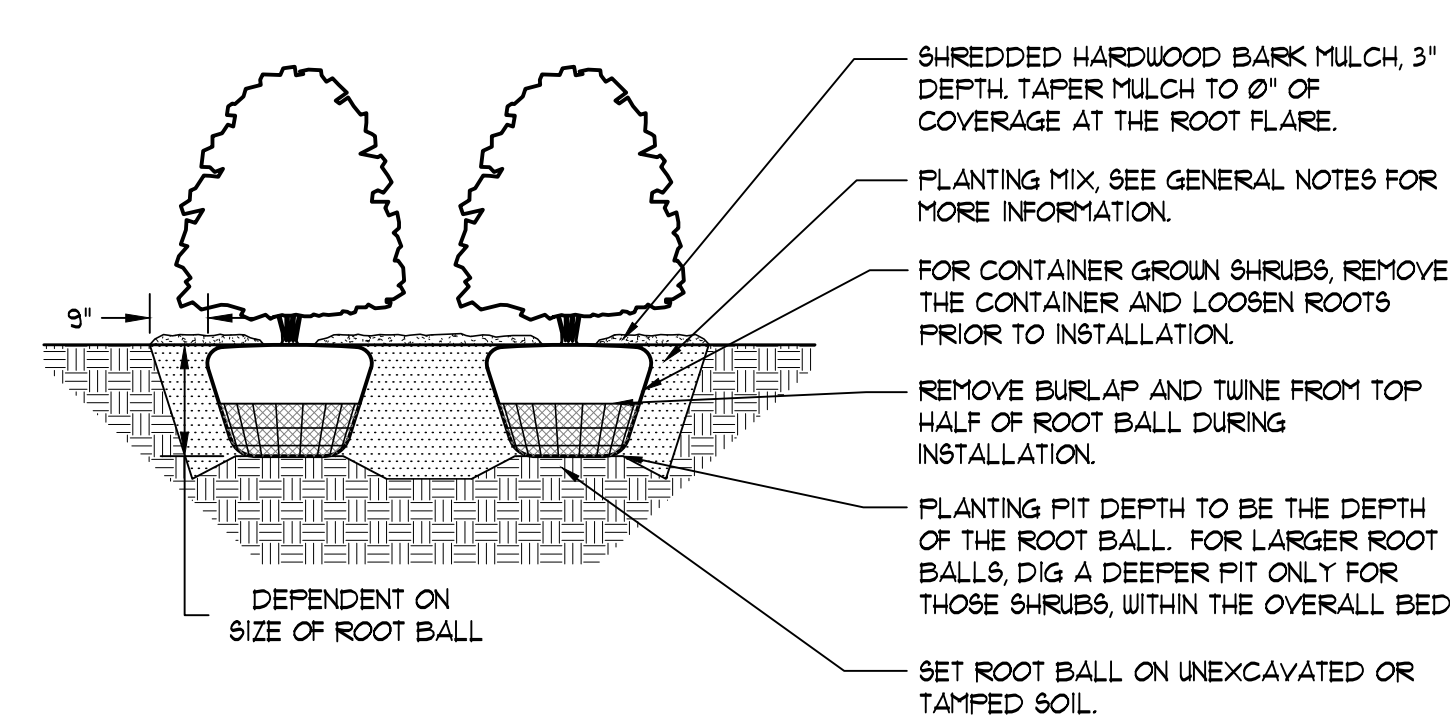
1 BIOSWALE SECTION
SCALE: 1/4" = 1'-0"

LOCATE ALL UNDERGROUND UTILITIES PRIOR TO DIGGING. EXCAVATE ENTIRE PERENNIAL / GROUNDCOVER BED, AND BACKFILL WITH PLANTING MIX AS SPECIFIED. BED HEIGHT IS TO BE 2" ABOVE FINISH GRADE AND WELL DRAINED. MULCH LIMITS FOR PERENNIAL BEDS TO EXTEND TO ALL EDGES OF THE BEDS, SEE PLANS FOR BED LAYOUTS. SEE PLANT LIST FOR PLANT SPACING. GAPS BETWEEN PLANTS SHALL BE NO GREATER THAN THE SPECIFIED SPACING FOR THAT PARTICULAR PLANT.



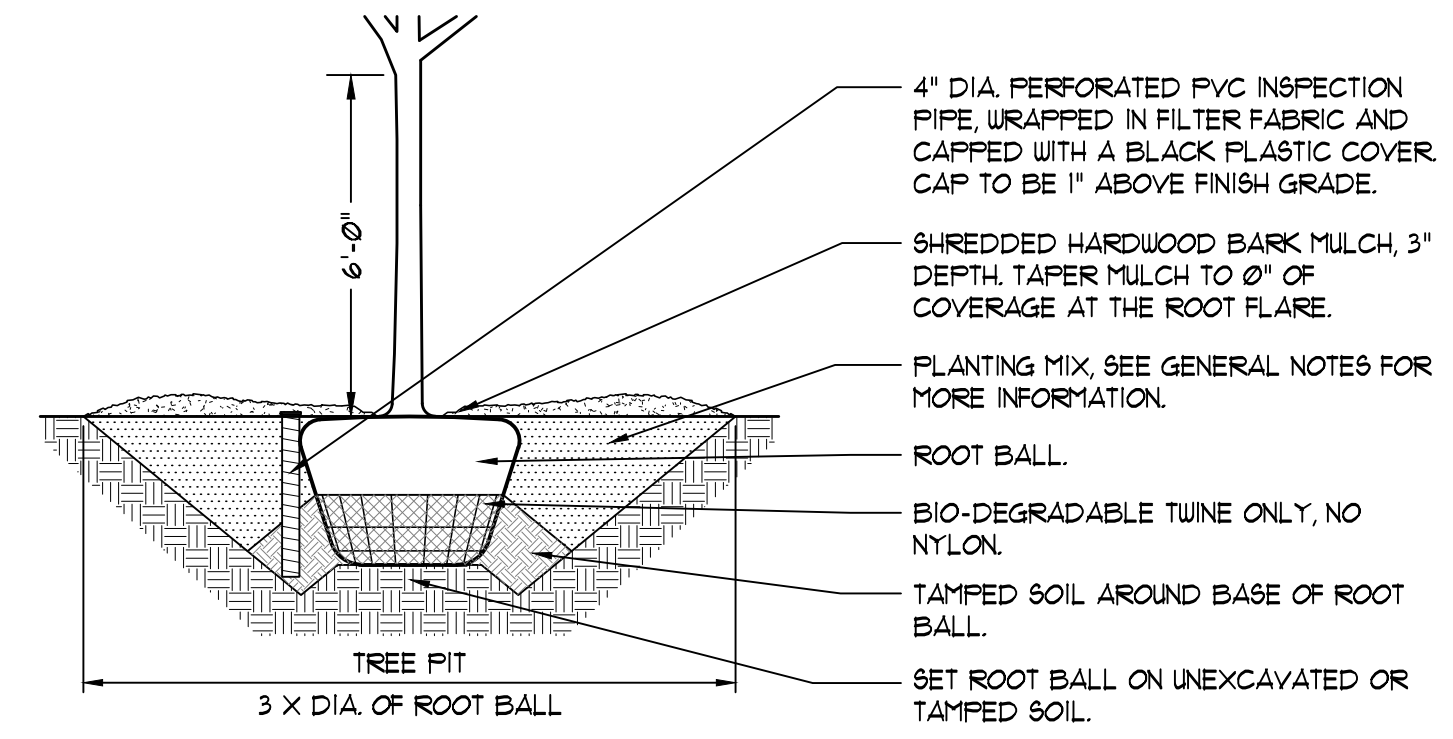
2 PERENNIAL AND GROUNDCOVER PLANTING DETAIL
NOT TO SCALE

LOCATE ALL UNDERGROUND UTILITIES PRIOR TO DIGGING. SHRUB PIT WIDTH TO BE EXTENDED 9" AROUND THE ENTIRE ROOT BALL AS SHOWN IN THE DETAIL BELOW. TEST SHRUB PIT FOR DRAINAGE PRIOR TO INSTALLING SHRUB. PRUNE OFF ALL DEAD, BROKEN OR SCARRED BRANCHES, AND SHAPE PRUNE AS DIRECTED BY THE LANDSCAPE ARCHITECT. LOCATE ROOT FLARE IN ROOT BALL AND SET SHRUB HEIGHT SO THAT ROOT FLARE IS FLUSH WITH FINISH GRADE. REMOVE ALL TWINE FROM AROUND THE ROOT FLARE. WATER IN THE PLANTING MIX THOROUGHLY, WHILE KEEPING THE SHRUB PLUMB. STRAIGHTEN SHRUB IF SETTLING OCCURS. MULCH LIMITS FOR SHRUBS TO EXTEND TO ALL EDGES OF PLANTING BEDS, SEE PLANS FOR BED LAYOUTS.



3 SHRUB PLANTING DETAIL
NOT TO SCALE

LOCATE ALL UNDERGROUND UTILITIES PRIOR TO DIGGING. TREE PIT WIDTH TO BE THREE TIMES THE WIDTH OF THE ROOT BALL. TEST TREE PIT FOR DRAINAGE PRIOR TO INSTALLING TREE. PRUNE OFF ALL DEAD, BROKEN OR SCARRED BRANCHES, AND SHAPE PRUNE AS DIRECTED BY THE LANDSCAPE ARCHITECT. FOR TREES UP TO 4" CALIPER OR 12' HEIGHT, REMOVE APPROXIMATELY 5% - 10% OF THE OVERALL BRANCHING. FOR TREES OVER 4" CALIPER OR 12' HEIGHT, REMOVE APPROXIMATELY 15% - 20% OF THE OVERALL BRANCHING. LOCATE ROOT FLARE IN ROOT BALL AND SET TREE HEIGHT SO THAT ROOT FLARE IS FLUSH WITH FINISH GRADE. REMOVE ALL BASKET WIRE, TWINE AND BURLAP FROM THE TOP HALF OF THE ROOT BALL. WATER IN THE PLANTING MIX THOROUGHLY, WHILE KEEPING THE TREE PLUMB. STRAIGHTEN TREE IF SETTLING OCCURS.



4 DECIDUOUS TREE PLANTING DETAIL
NOT TO SCALE

Revisions

- 8.
- 7.
- 6.
- 5.
- 4. REVISED FOR FINAL APPROVAL 03/27/20
- 3. REVISED FOR FINAL APPROVAL 03/06/20
- 2. NAPERVILLE FINAL SUBMITTAL 01/31/20
- 1. ISSUE FOR FINAL APPROVAL 01/15/20

Project

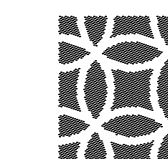
LINCOLN AT CITYGATE CENTRE

NAPERVILLE, ILLINOIS

Sheet Title

PLANT LIST & LANDSCAPE DETAILS - WEST

Date 01/14/20	Project No. DWP 20-101
Scale AS NOTED	Sheet No. L-002
Drawn By EH	
Approved DW	

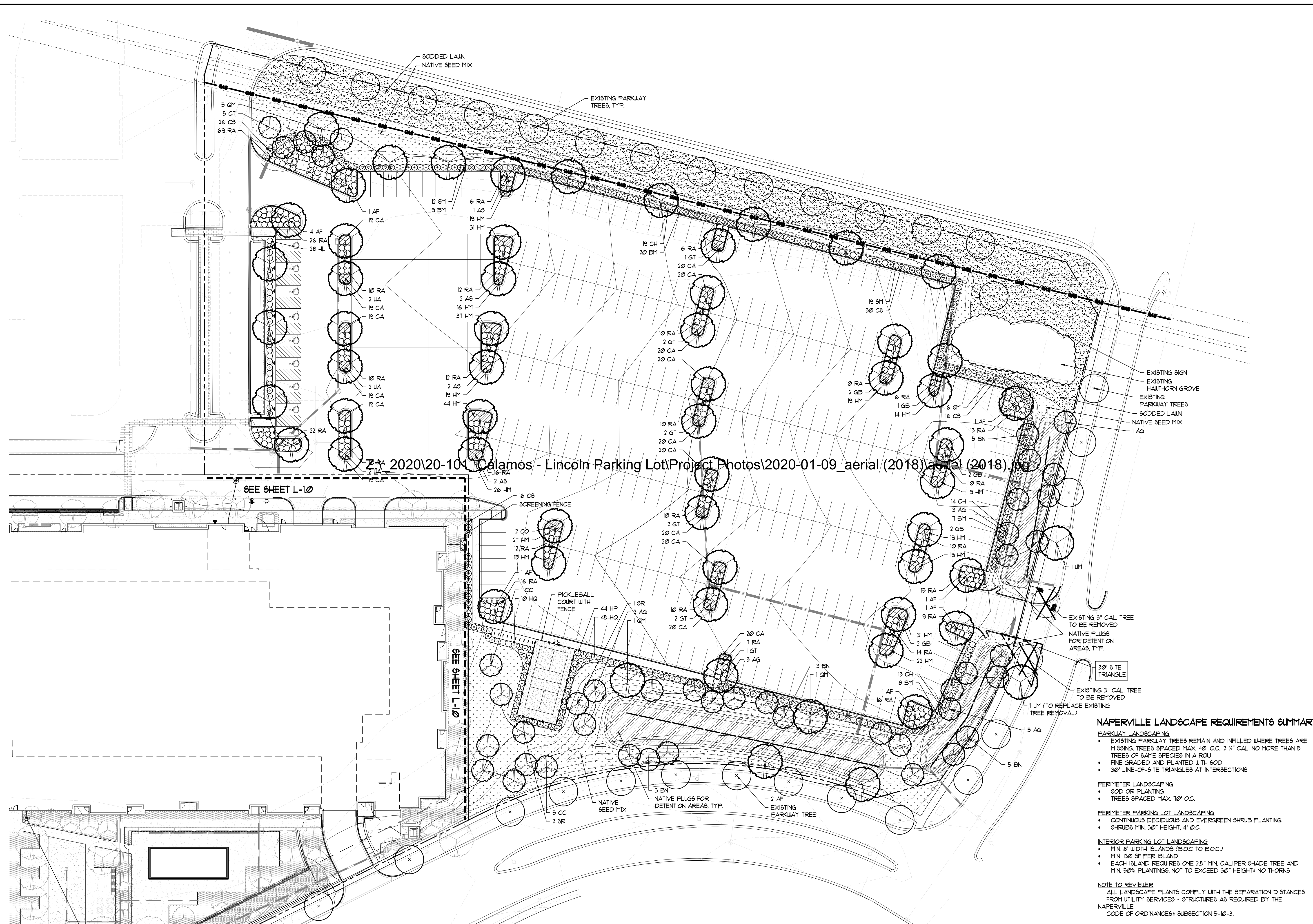


**DANIEL WEINBACH
&
PARTNERS, LTD.**

Landscape Architects

53 W. Jackson Blvd.
Suite 250
Chicago, IL 60604

312.427.2888
www.dwpltd.com



1 LEVEL LANDSCAPE PLAN
SCALE: 1"=30'-0"

Revisions	
8.	
7.	
6.	
5.	
4.	REVISED FOR FINAL APPROVAL 03/27/20
3.	REVISED FOR FINAL APPROVAL 03/06/20
2.	NAPERVILLE FINAL SUBMITTAL 01/31/20
1.	ISSUE FOR FINAL APPROVAL 01/15/20

Project

**LINCOLN AT
CITYGATE
CENTRE**

NAPERVILLE, ILLINOIS

Sheet Title

**LANDSCAPE
PLAN - EAST**

Date	01/08/20	Project No.	DWP 20-101
Scale	AS NOTED	Sheet No.	L-003
Drawn By	EH		
Approved	DW		

NAPERVILLE LANDSCAPE REQUIREMENTS SUMMARY

PARKWAY LANDSCAPING

- EXISTING PARKWAY TREES REMAIN AND INFILLED WHERE TREES ARE MISSING. TREES SPACED MAX. 40' O.C. 2 1/2" CAL. NO MORE THAN 5 TREES OF SAME SPECIES IN A ROW
- FINE GRADED AND PLANTED WITH SOD
- 30' LINE-OF-SITE TRIANGLES AT INTERSECTIONS

PERIMETER LANDSCAPING

- SOD OR PLANTING
- TREES SPACED MAX. 10' O.C.

PERIMETER PARKING LOT LANDSCAPING

- CONTINUOUS DECIDUOUS AND EVERGREEN SHRUB PLANTING
- SHRUBS MIN. 30" HEIGHT, 4' O.C.

INTERIOR PARKING LOT LANDSCAPING

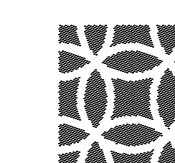
- MIN. 8' WIDTH ISLANDS (B.O.C TO B.O.C.)
- MIN. 13' SF PER ISLAND
- EACH ISLAND REQUIRES ONE 2 1/2" MIN. CALIFER SHADE TREE AND MIN. 50% PLANTINGS, NOT TO EXCEED 30' HEIGHTS; NO THORNS

NOTE TO REVIEWER

ALL LANDSCAPE PLANTS COMPLY WITH THE SEPARATION DISTANCES FROM UTILITY SERVICES - STRUCTURES AS REQUIRED BY THE NAPERVILLE CODE OF ORDINANCES: SUBSECTION 5-10-3.

TREES SHALL BE SET BACK A MINIMUM OF 10 FEET HORIZONTALLY FROM STORM AND UTILITY STRUCTURES. ACCEPTIONS TO BE APPROVED BY THE CITY.

TREES SHALL BE SET BACK A MINIMUM OF 5 FEET HORIZONTALLY FROM SANITARY SEWER, STORM SEWER, AND WATER SERVICES.



DANIEL WEINBACH & PARTNERS, LTD.

Landscape Architects

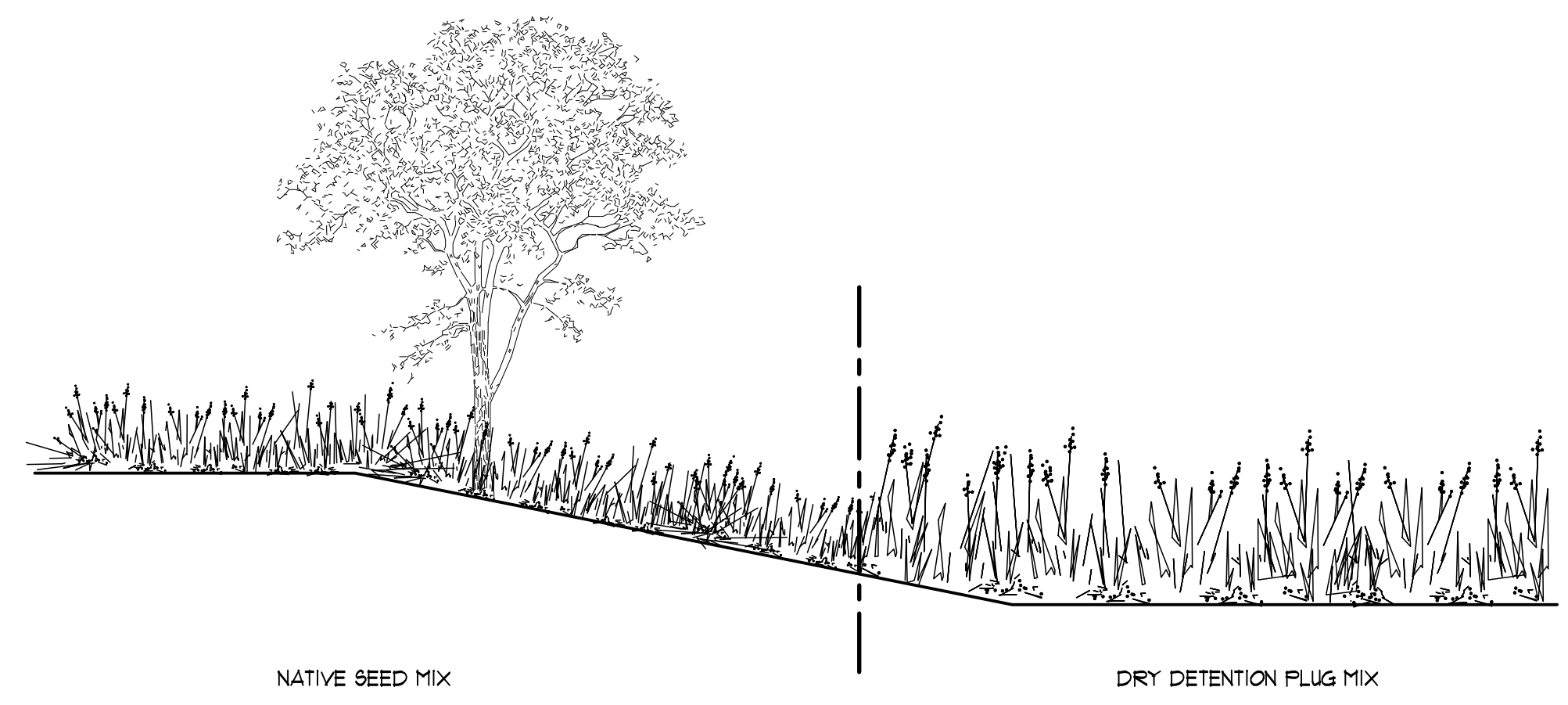
53 W. Jackson Blvd.
Suite 250
Chicago, IL 60604
312 427-2888
www.dwpltd.com

DRY DETENTION PLUG MIX

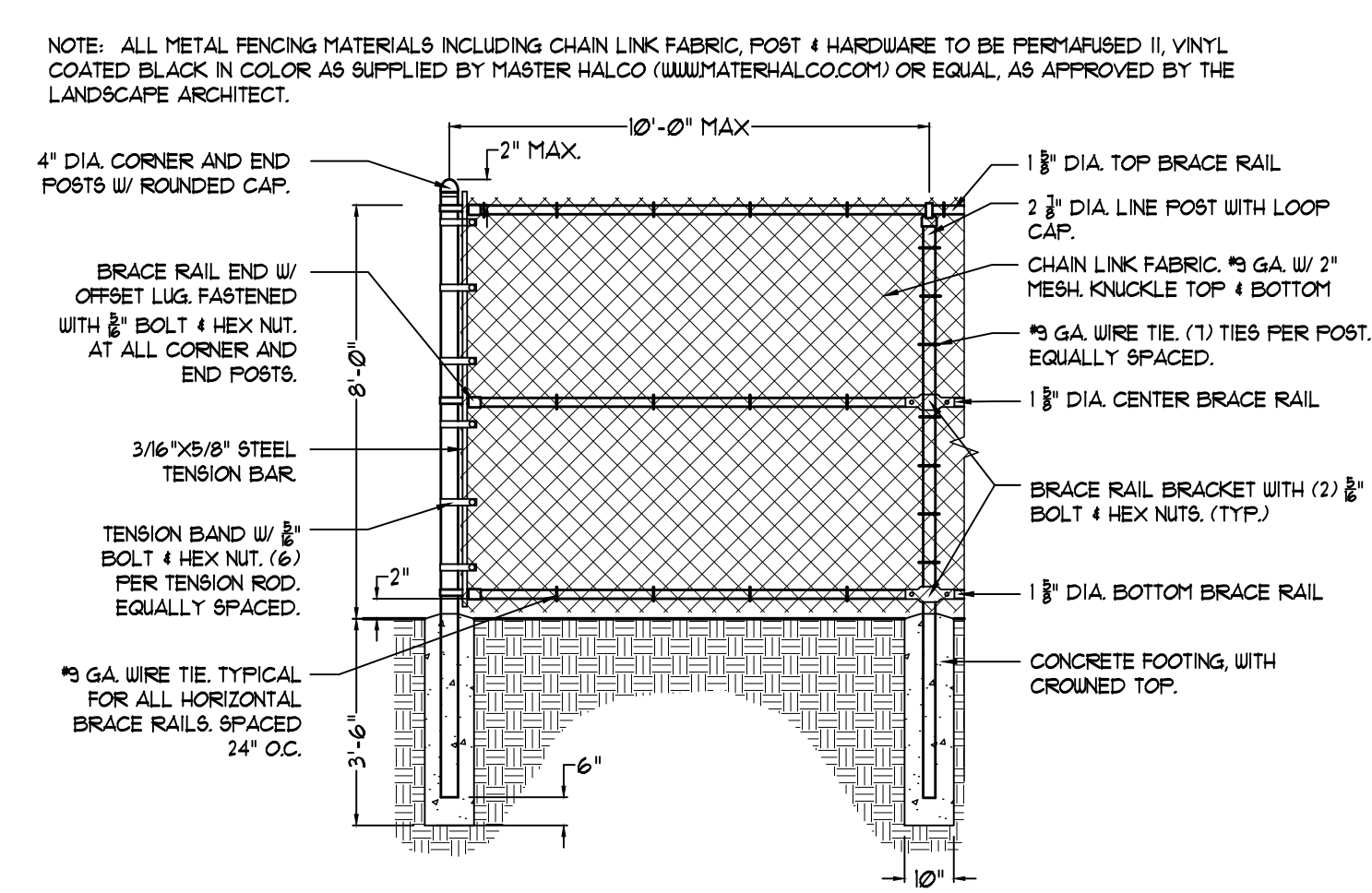
CODE	BOTANICAL NAME	COMMON NAME	SIZE	% OF MIX	ADDITIONAL NOTES
GRASSES, SEDGES, RUSHES					
	CALAMAGROSTIS CANADENSIS	BLUE JOINT GRASS	2" PLUG	5%	18" O.C.
	CAREX BREVIOR	FLAINS OVAL SEDGE	2" PLUG	9%	24" O.C.
	CAREX CRISTATELLA	CRESTED OVAL SEDGE	2" PLUG	5%	24" O.C.
	CAREX VULPINOIDEA	BROWN FOX SEDGE	2" PLUG	9%	24" O.C.
	LEERSIA ORYZOIDES	RICE CUT GRASS	2" PLUG	5%	18" O.C.
	PANICUM VIRGATUM	SWITCH GRASS	2" PLUG	9%	36" O.C.
	SPARTINA PECTINATA	PRAIRIE CORD GRASS	2" PLUG	6%	18" O.C.
	SCHIZACHYRIUM SCOPARIUM	LITTLE BLUESTEM GRASS	2" PLUG	9%	18" O.C.
FLOWERS & OTHER BROADLEAVES					
	ASCLEPIAS INCARNATA	SWAMP MILKWEED	2" PLUG	1%	18" O.C.
	BAPTISIA ALBA	WHITE WILD INDIGO	2" PLUG	1%	24" O.C.
	COREOPSIS TRIPTERIS	TALL COREOPSIS	2" PLUG	1%	18" O.C.
	ERYNGIUM YUCCIFOLIUM	RATTLESNAKE MASTER	2" PLUG	1%	18" O.C.
	EUTHAMIA GRAMINIFOLIA	COMMON GRASS-LEAVED GOLDENROD	2" PLUG	5%	18" O.C.
	HELIOPSIS HELIANTHOIDES	FALSE SUNFLOWER	2" PLUG	5%	18" O.C.
	LIATRIS Pycnostachya	PRAIRIE BLAZING STAR	2" PLUG	2%	18" O.C.
	MONARDA FISTULOSA	WILD BERGAMOT	2" PLUG	5%	18" O.C.
	FENSTEMON DIGITALIS	FOXGLOVE BEARD TONGUE	2" PLUG	2%	18" O.C.
	PHYSOTEGIA VIRGINIANA	OBEDIENT PLANT	2" PLUG	1%	18" O.C.
	PHYCANTHEM VIRGINIANUM	COMMON MOUNTAIN MINT	2" PLUG	2%	18" O.C.
	RUDBECKIA FULGIDA VAR. SULLIVANTII	SHOWY BLACK-EYED SUSAN	2" PLUG	5%	18" O.C.
	SYMPHYOTRICHUM LAEVE	SMOOTH BLUE ASTER	2" PLUG	1%	18" O.C.
	SYMPHYOTRICHUM NOVAE-ANGLIAE	NEW ENGLAND ASTER	2" PLUG	5%	18" O.C.
	VERBENA HASTATA	BLUE VERVAIN	2" PLUG	2%	18" O.C.
	VERNONIA FASCICULATA	COMMON IRONWEED	2" PLUG	1%	18" O.C.
	VERONICASTRUM VIRGINICUM	CULVER'S ROOT	2" PLUG	1%	18" O.C.
	ZIZIA AUREA	GOLDEN ALEXANDERS	2" PLUG	4%	18" O.C.

LANDSCAPE PLANT LIST - EAST

CODE	BOTANICAL NAME	COMMON NAME	SIZE	ADDITIONAL NOTES
DECIDUOUS TREES - SHADE				
AF	ACER x FREEMANII 'JEFFERSON'	AUTUMN BLAZE MAPLE	3" CALIFER	BRANCHED UP 6'
AS	ACER SACCHARUM 'BAILST'	FALL FIESTA SUGAR MAPLE	3" CALIFER	BRANCHED UP 6'
CO	CELTIS OCCIDENTALIS	COMMON HACKBERRY	3" CALIFER	BRANCHED UP 6'
GB	GINKGO BILOBA 'AUTUMN GOLD'	AUTUMN GOLD GINKGO	3" CALIFER	BRANCHED UP 6'
GT	GLIEDITSIA T. VAR. INERMIS 'SKYLINE'	SKYLINE HONEYLOCUST	3" CALIFER	BRANCHED UP 6'
QM	QUERCUS MACROCARPA	BUR OAK	3" CALIFER	BRANCHED UP 6'
UA	ULMUS AMERICANA 'PRINCETON'	PRINCETON ELM	3" CALIFER	BRANCHED UP 6'
UM	ULMUS x MORTON GLOBOSY	TRIUMPH ELM	3" CALIFER	BRANCHED UP 6'
DECIDUOUS TREES - ORNAMENTAL				
AG	ALNUS GLUTINOSA	EUROPEAN BLACK ALDER	10' HT x 6" W	CLUMP FORM
BN	BETULA NIGRA	RIVER BIRCH	10' HT x 6" W	CLUMP FORM
CC	CERCIS CANADENSIS	EASTERN REDBUD	8' HT x 6" W	CLUMP FORM
CT	CRATEGUS CRUGGALLI VAR. INERMIS	THORNLESS COCKSPUR HAWTHORN	8' HT x 6" W	
SR	STRYNGA RETICULATA 'IVORY SILK'	IVORY SILK JAPANESE TREE LILAC	8' HT x 6" W	
DECIDUOUS SHRUBS				
CH	CLETHRA ALNIFOLIA 'HUMMINGBIRD'	HUMMINGBIRD SUMMERSWEET	30" HT x 30" W	
CS	CORNUS SERICEA 'ALLEMAN'S DWARF'	ALLEMAN'S DWARF DOGWOOD	30" HT x 30" W	
HP	HYDRANGEA PANICULATA 'LIMELIGHT'	LIMELIGHT HYDRANGEA	36" HT x 36" W	
HL	HYDRANGEA PANICULATA 'LITTLE LIME'	LITTLE LIME HYDRANGEA	30" HT x 30" W	
HQ	HYDRANGEA PANICULATA 'LITTLE QUICKFIRE'	LITTLE QUICKFIRE HYDRANGEA	30" HT x 30" W	
RA	RHUS AROMATICA 'GRO-LOU'	GRO-LOU SUMAC	18" HT x 24" W	
SM	STRYNGA MEYERI 'PALIBIN'	DWARF KOREAN LILAC	30" HT x 30" W	
EVERGREEN SHRUBS				
EM	BUXUS x 'GREEN MOUNTAIN'	GREEN MOUNTAIN BOXWOOD	30" HT x 30" W	
PERENNIALS, ORNAMENTAL GRASSES AND GROUNDCOVERS				
CA	CALAMAGROSTIS ACUT. 'KARL FOERSTER'	FEATHER REED GRASS	1 GALLON	
HM	HEMEROCALLIS SP.	DAYLILY SP.	1 GALLON	

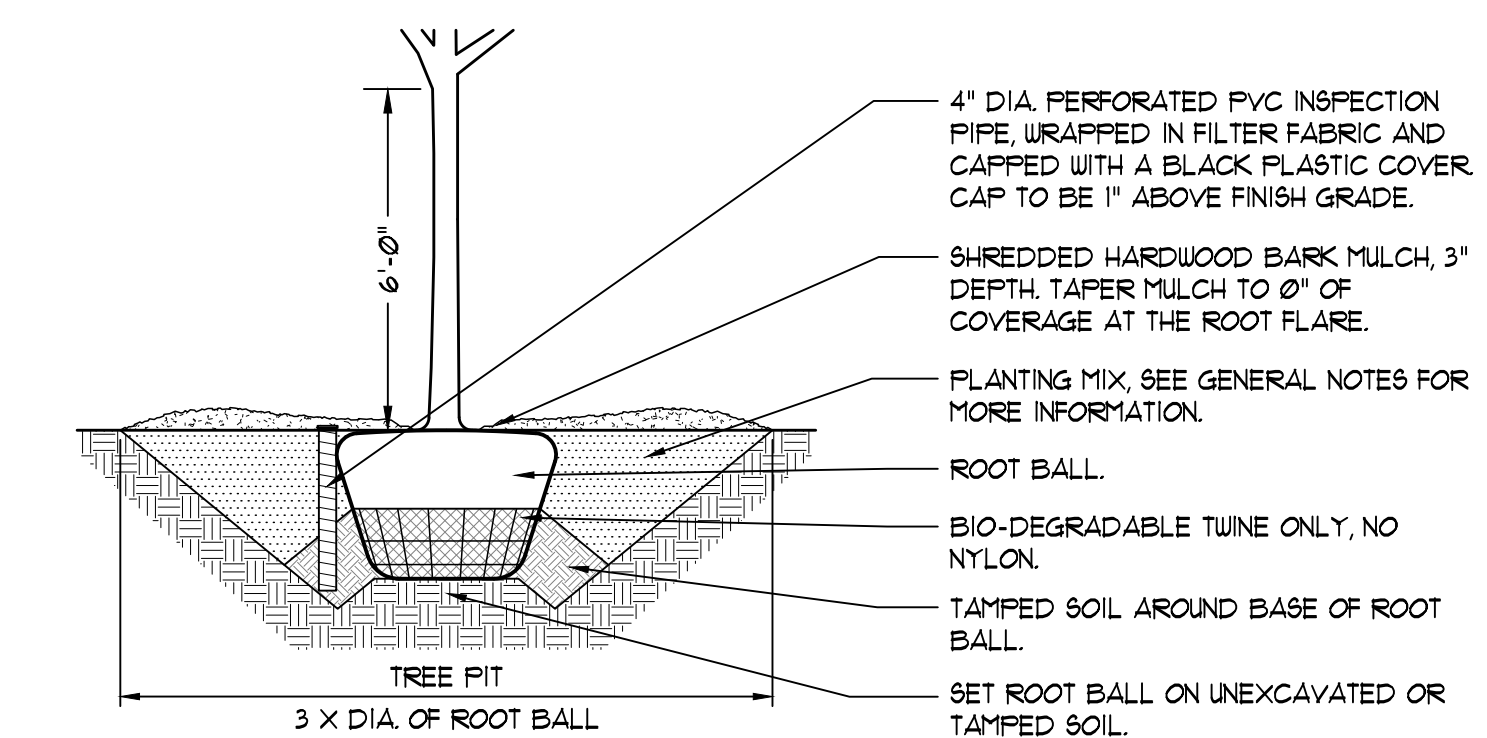


1 TYPICAL DETAIL OF NATIVE SEED MIX AT DRY DETENTION PLUG MIX
NOT TO SCALE



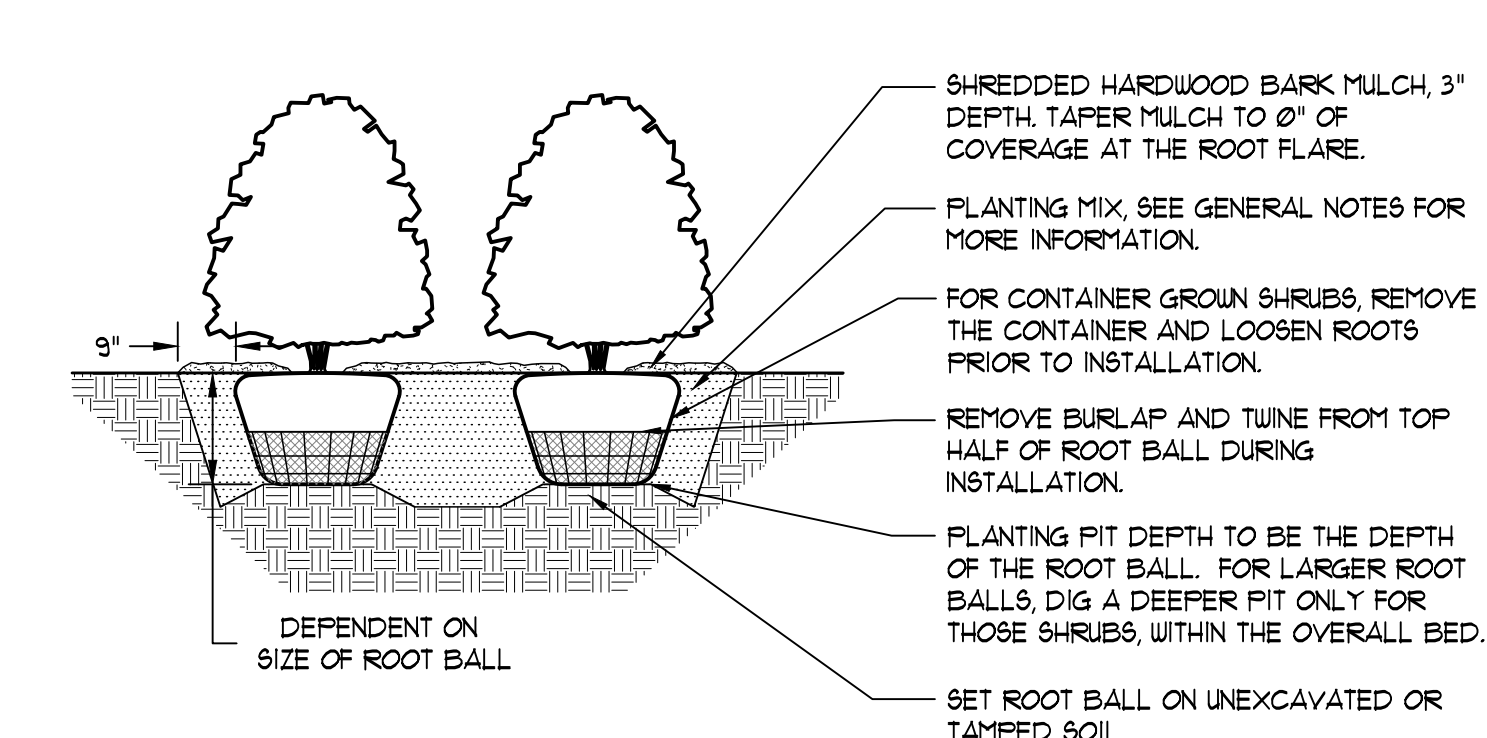
2 10' CHAIN LINK FENCE
NOT TO SCALE

LOCATE ALL UNDERGROUND UTILITIES PRIOR TO DIGGING. TREE PIT WIDTH TO BE THREE TIMES THE WIDTH OF THE ROOT BALL. TEST TREE PIT FOR DRAINAGE PRIOR TO INSTALLING TREE. PRUNE OFF ALL DEAD, BROKEN OR SCARRED BRANCHES, AND SHAPE PRUNE AS DIRECTED BY THE LANDSCAPE ARCHITECT. FOR TREES UP TO 4" CALIFER OR 12' HEIGHT, REMOVE APPROXIMATELY 5% - 10% OF THE OVERALL BRANCHING. FOR TREES OVER 4" CALIFER OR 12' HEIGHT, REMOVE APPROXIMATELY 15% - 20% OF THE OVERALL BRANCHING. LOCATE ROOT FLARE IN ROOT BALL AND SET TREE HEIGHT SO THAT ROOT FLARE IS FLUSH WITH FINISH GRADE. REMOVE ALL BASKET WIRE, TWINE AND BURLAP FROM THE TOP HALF OF THE ROOT BALL. WATER IN THE PLANTING MIX THOROUGHLY, WHILE KEEPING THE TREE PLUMB. STRAIGHTEN TREE IF SETTLING OCCURS.



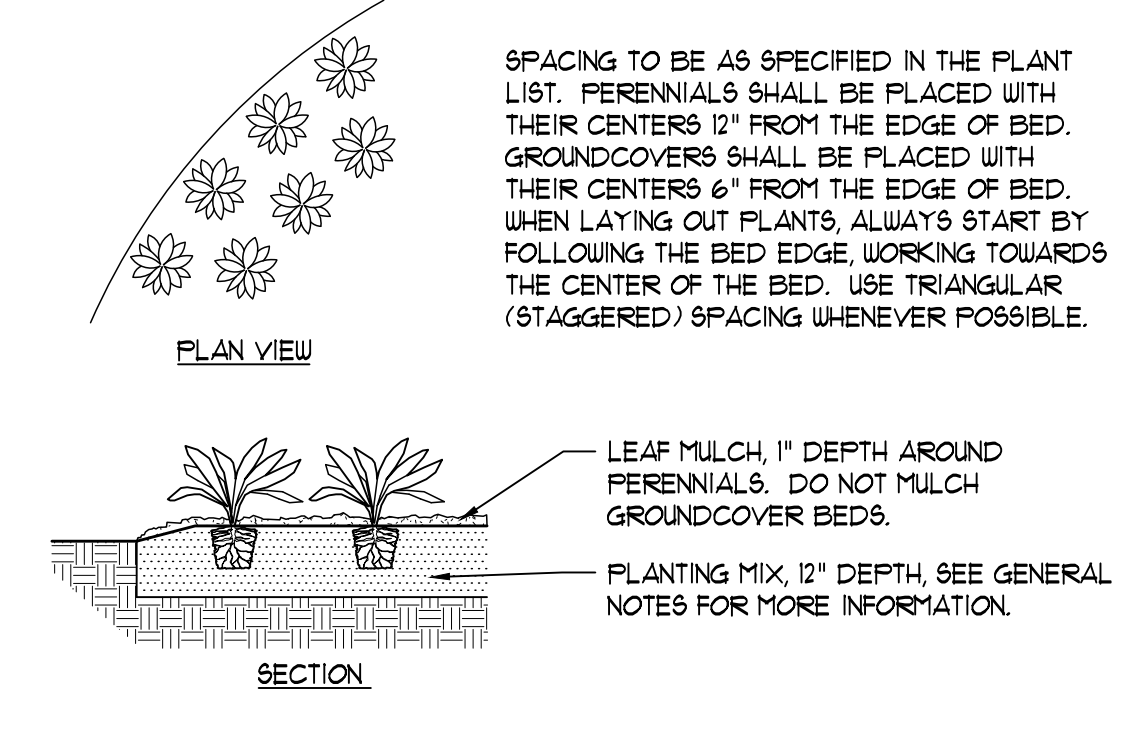
3 DECIDUOUS TREE PLANTING DETAIL
NOT TO SCALE

LOCATE ALL UNDERGROUND UTILITIES PRIOR TO DIGGING. SHRUB PIT WIDTH TO BE EXTENDED 9" AROUND THE ENTIRE ROOT BALL AS SHOWN IN THE DETAIL BELOW. TEST SHRUB PIT FOR DRAINAGE PRIOR TO INSTALLING SHRUB. PRUNE OFF ALL DEAD, BROKEN OR SCARRED BRANCHES, AND SHAPE PRUNE AS DIRECTED BY THE LANDSCAPE ARCHITECT. LOCATE ROOT FLARE IN ROOT BALL AND SET SHRUB HEIGHT SO THAT ROOT FLARE IS FLUSH WITH FINISH GRADE. REMOVE ALL TWINE FROM AROUND THE ROOT FLARE. WATER IN THE PLANTING MIX THOROUGHLY, WHILE KEEPING THE SHRUB PLUMB. STRAIGHTEN SHRUB IF SETTLING OCCURS. MULCH LIMITS FOR SHRUBS TO EXTEND TO ALL EDGES OF PLANTING BEDS, SEE PLANS FOR BED LAYOUTS.



4 SHRUB PLANTING DETAIL
NOT TO SCALE

LOCATE ALL UNDERGROUND UTILITIES PRIOR TO DIGGING. EXCAVATE ENTIRE PERENNIAL / GROUNDCOVER BED, AND BACKFILL WITH PLANTING MIX AS SPECIFIED. BED HEIGHT IS TO BE 2" ABOVE FINISH GRADE AND WELL DRAINED. MULCH LIMITS FOR PERENNIAL BEDS TO EXTEND TO ALL EDGES OF THE BEDS. SEE PLANS FOR BED LAYOUTS. SEE PLANT LIST FOR PLANT SPACING. GAPS BETWEEN PLANTS SHALL BE NO GREATER THAN THE SPECIFIED SPACING FOR THAT PARTICULAR PLANT.



5 PERENNIAL AND GROUNDCOVER PLANTING DETAIL
NOT TO SCALE

NAPERVILLE LANDSCAPE REQUIREMENTS SUMMARY

- PARKWAY LANDSCAPING**
 - EXISTING PARKWAY TREES REMAIN AND INFILLED WHERE TREES ARE MISSING. TREES SPACED MAX. 40' O.C., 2 1/2" CAL. NO MORE THAN 5
 - TREES OF SAME SPECIES IN A ROW
 - FINE GRADED AND PLANTED WITH 60D
 - 30' LINE-OF-SITE TRIANGLES AT INTERSECTIONS
- PERIMETER LANDSCAPING**
 - 60D OR PLANTING
 - TREES SPACED MAX. 10' O.C.
- PERIMETER PARKING LOT LANDSCAPING**
 - CONTINUOUS DECIDUOUS AND EVERGREEN SHRUB PLANTING
 - SHRUBS MIN. 30" HEIGHT, 4" O.C.
- INTERIOR PARKING LOT LANDSCAPING**
 - MIN. 8' WIDTH ISLANDS (B.O.C TO B.O.C.)
 - MIN. 130 SF PER ISLAND
 - EACH ISLAND REQUIRES ONE 2.5" MIN. CALIFER SHADE TREE AND MIN. 50% PLANTINGS, NOT TO EXCEED 30" HEIGHT; NO THORNS
- NOTE TO REVIEWER**
 - ALL LANDSCAPE PLANTS COMPLY WITH THE SEPARATION DISTANCES FROM UTILITY SERVICES - STRUCTURES AS REQUIRED BY THE NAPERVILLE CODE OF ORDINANCES, SUBSECTION 5-10-3.
 - TREES SHALL BE SET BACK A MINIMUM OF 10 FEET HORIZONTALLY FROM STORM AND UTILITY STRUCTURES. ACCEPTIONS TO BE APPROVED BY THE CITY.
 - TREES SHALL BE SET BACK A MINIMUM OF 5 FEET HORIZONTALLY FROM SANITARY SEWER, STORM SEWER, AND WATER SERVICES.

Revisions
8.
7.
6.
5.
4. REVISED FOR FINAL APPROVAL 03/27/20
3. REVISED FOR FINAL APPROVAL 03/06/20
2. NAPERVILLE FINAL SUBMITTAL 01/31/20
1. ISSUE FOR FINAL APPROVAL 01/15/20

Project
LINCOLN AT CITYGATE CENTRE
NAPERVILLE, ILLINOIS

Sheet Title
PLANT LIST & LANDSCAPE DETAILS - WEST

Date 01/08/20	Project No. DWP 20-101
Scale AS NOTED	Sheet No. L-004
Drawn By EH	
Approved DW	