



1019 East Ogden Ave. Naperville, IL.

Taco Bell
Naperville

1019 East Ogden Ave.
 Naperville, IL.

Date 12/11/23

Acct. Executive S. Menna

Page No. 001

Revision Number Date

(Rev. 1) 12/14/23

(Rev. 2) 01/18/23

(Rev. 3) 01/29/23

(Rev. 4) 01/30/23

(Rev. 5) 01/31/23

(Rev. 6)

Drawn By D. Savage

Drawing Scale

PERMIT INFO

Sign Sq. Ft.

No. of Lamps/LEDs

Total Wattage

No. of Power Supplies

Total Amperage

Ext. 20 Amp Toggle Switch w/Rubber Boot Yes

Signature mm/dd/yy

Cust. Approval Date

Signature mm/dd/yy

Landlord Approval Date

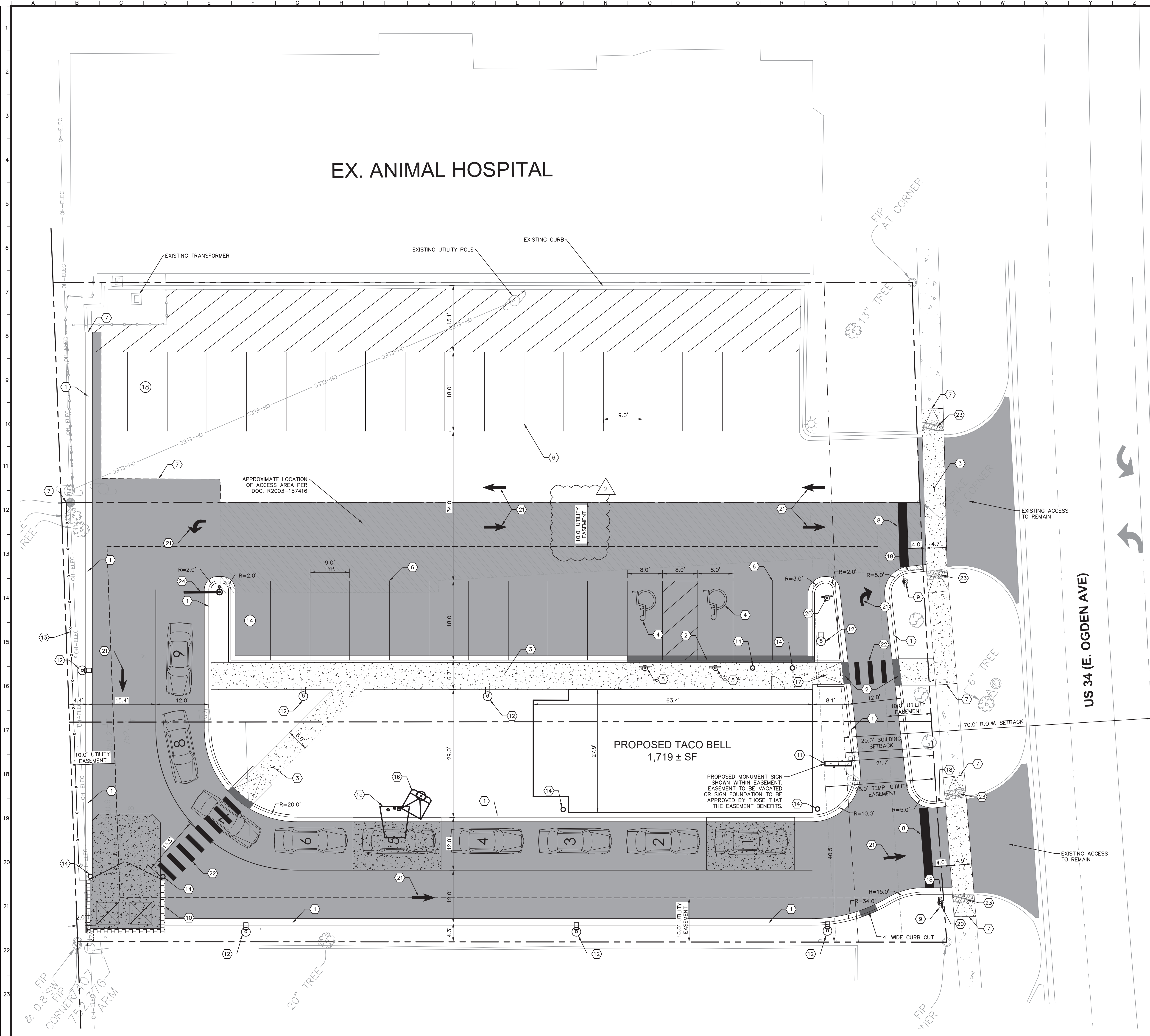
ELECTRICAL NOTES

Sign company DOES NOT provide Primary Electrical to Sign. Power to the Sign must be done by a licensed electrical contractor or licensed electrician.

Each Sign Must Have:

1. A minimum of One(1) dedicated 120V 20A circuit.
2. Junction box installed within Six(6) feet of Sign.
3. Three Wire: Line, Ground, and Neutral.

Drawing name: K:\CH\DEV\268581000_MRV-TacoBell_Naperville_IL\2 Design\PlanSheets\C3.0 - SITE PLAN.dwg C3.0 Mar 05, 2024 11:38am by: AnthonyGraziano
 This document, together with the concepts and designs presented herein, is intended only for the specific purpose and client for which it was prepared. Reuse of and improper reliance on this document without written authorization and adaptation by Kimley-Horn and Associates, Inc. shall be without liability to Kimley-Horn and Associates, Inc.



GRAPHIC SCALE IN FEET
 0 5 10 20

Call Before You Dig
1-800-892-0123

- ### GENERAL NOTES
- ALL DIMENSIONS REFER TO THE FACE OF CURB UNLESS OTHERWISE NOTED.
 - BUILDING DIMENSIONS ARE TO THE OUTSIDE FACE OF BUILDING UNLESS OTHERWISE NOTED.
 - REFER TO ARCHITECTURAL AND STRUCTURAL PLANS TO VERIFY ALL BUILDING DIMENSIONS.
 - RADII ADJACENT TO PARKING STALL AND NOT DIMENSIONED ON THIS PLAN SHALL BE 3'-FEET, TYPICAL.
 - REFER TO ARCHITECTURAL PLANS FOR MONUMENT SIGN DETAILS. SEE MEP PLANS FOR SITE ELECTRICAL DRAWINGS.
 - ALL PROPOSED ON-SITE STRIPING SHALL BE PAINTED UNLESS OTHERWISE NOTED.

PAVING AND CURB LEGEND

- HEAVY DUTY ASPHALT PAVEMENT
SEE CONSTRUCTION DETAILS FOR PAVEMENT SECTION
- CONCRETE SIDEWALK
SEE CONSTRUCTION DETAILS FOR PAVEMENT SECTION
- HEAVY DUTY CONCRETE PAVEMENT
SEE CONSTRUCTION DETAILS FOR PAVEMENT SECTION
- STANDARD PITCH CONCRETE CURB AND GUTTER
- CONCRETE DEPRESSED CURB AND GUTTER

- ### KEY NOTES
- B6.12 CONCRETE CURB AND GUTTER, TYP. (SEE DETAILS, SHEET C7.0)
 - DEPRESSED CONCRETE CURB AND GUTTER
 - CONCRETE SIDEWALK, TYP. (SEE DETAILS, SHEET C7.0)
 - ACCESSIBLE PAVEMENT MARKINGS, TYP. (SEE DETAILS, SHEET C7.0)
 - ACCESSIBLE PARKING SIGN, TYP. (MUTCD R7-8) (SEE DETAILS, SHEET C7.0)
 - 4" WIDE PAINTED SOLID LINE, TYP.
 - CONNECT TO EXISTING PAVEMENT, SIDEWALK, CURB, TYP.
 - 24" WIDE STOP BAR, TYP.
 - STOP SIGN, TYP. (MUTCD R1-1, SEE DETAILS, SHEET C7.0)
 - TRASH ENCLOSURE (SEE ARCHITECTURAL PLANS FOR DETAILS)
 - MONUMENT SIGN (SEE SIGNAGE PLANS FOR DETAILS)
 - LIGHT POLES SHOWN FOR COORDINATION ONLY (SEE SITE LIGHTING PLANS)
 - BOARD ON BOARD FENCE (SEE LANDSCAPE PLAN)
 - BOLLARD, TYP. (SEE DETAILS, SHEET C7.0)
 - SPEAKER POST (SEE ARCHITECTURAL PLANS FOR DETAILS)
 - MENU BOARD (SEE ARCHITECTURAL PLANS FOR DETAILS)
 - ACCESSIBLE RAMP (SEE DETAILS, SHEET C7.0)
 - 3'-FT TRANSITION CURB (SEE DETAILS, SHEET C7.0)
 - BIKE RACK (SEE LANDSCAPE PLAN FOR DETAILS)
 - "DO NOT ENTER" SIGN
 - SITE DIRECTIONAL MARKING (SEE ARCHITECTURAL PLANS FOR DETAILS)
 - 5'-FT WIDE PAINTED CROSSWALK (SEE DETAILS, SHEET C7.0)
 - 2' WIDE TACTICAL WARNING STRIP (SEE DETAILS, SHEET C7.0)
 - CLEARANCE BAR, SEE ARCHITECTURAL PLANS FOR DETAILS

AA	BB	CC	DD	EE	FF
1	2	3	4	5	6
7	8	9	10	11	12
13	14	15	16	17	18
19	20	21	22	23	24

NO.	DATE	BY
03/05/24	JPM	
01/29/24	JPM	
12/15/23	BH	

CITY COMMENTS
 INITIAL CITY SUBMITTAL
 REVISIONS

SCALE: AS NOTED
 DESIGNED BY: BMH
 DRAWN BY: CAE
 CHECKED BY: JPM

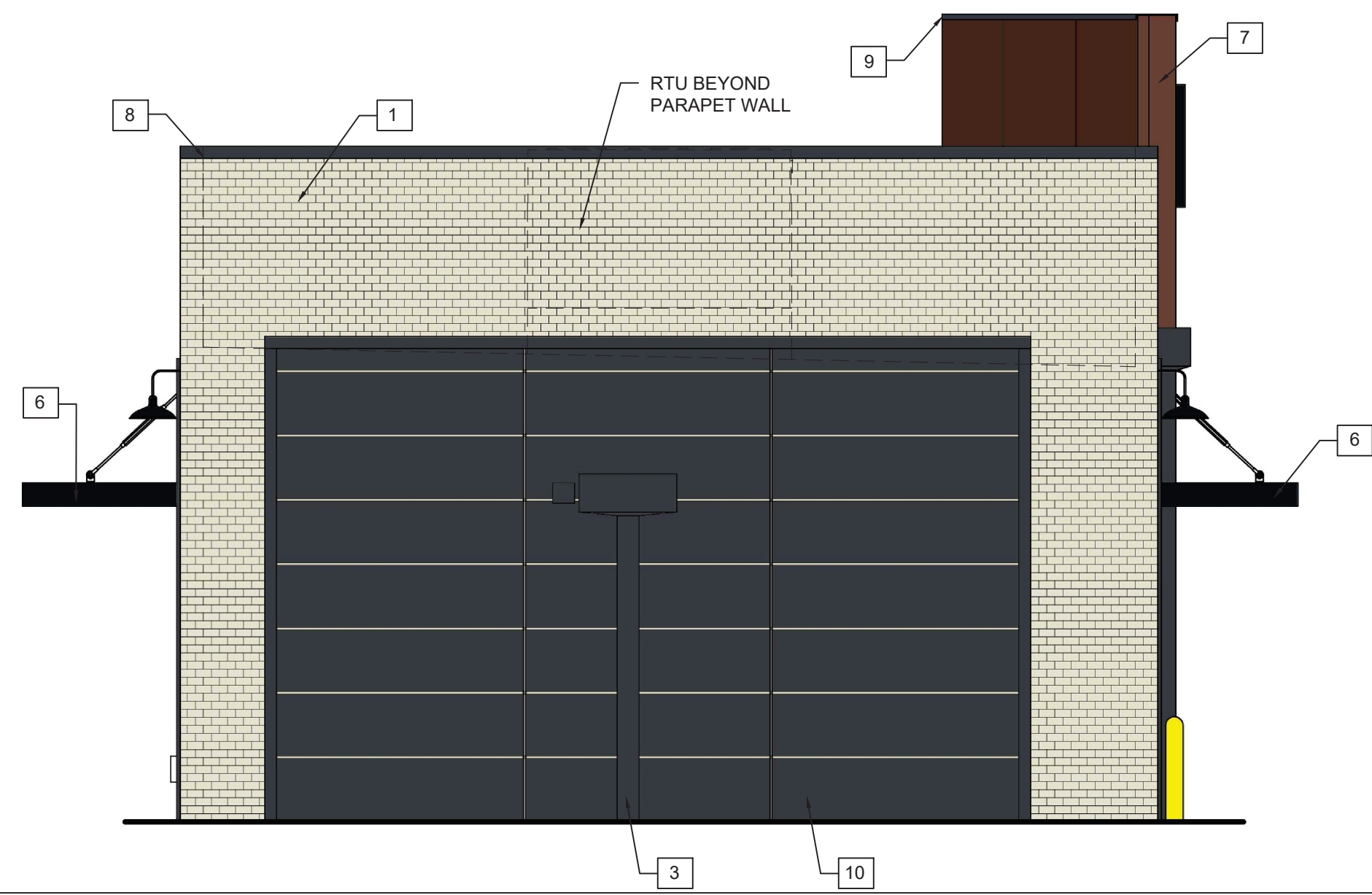
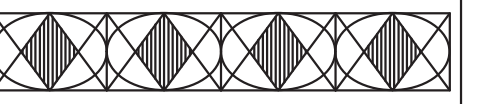
Kimley-Horn
 © 2024, KIMLEY-HORN AND ASSOCIATES, INC.
 111 WEST JACKSON BLVD., SUITE 1300
 PHOENIX, AZ 85001
 WWW.KIMLEY-HORN.COM

MRV ARCHITECTS, INC.

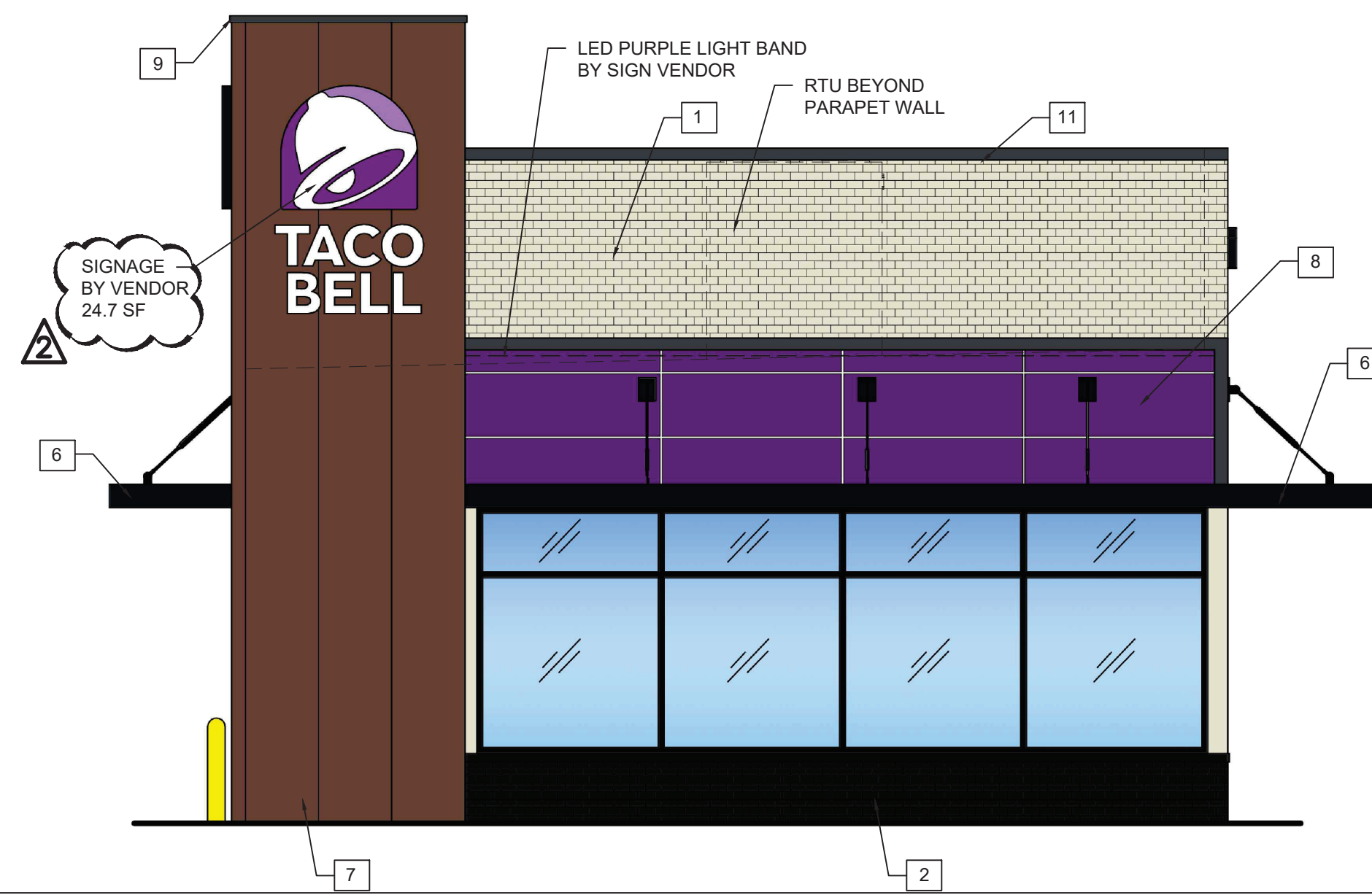
SITE PLAN

TACO BELL
 1019 E. OGDEN AVE.
 NAPERVILLE, IL

ORIGINAL ISSUE:
 12/15/2023
 KHA PROJECT NO.
 268581000
 SHEET NUMBER
C3.0



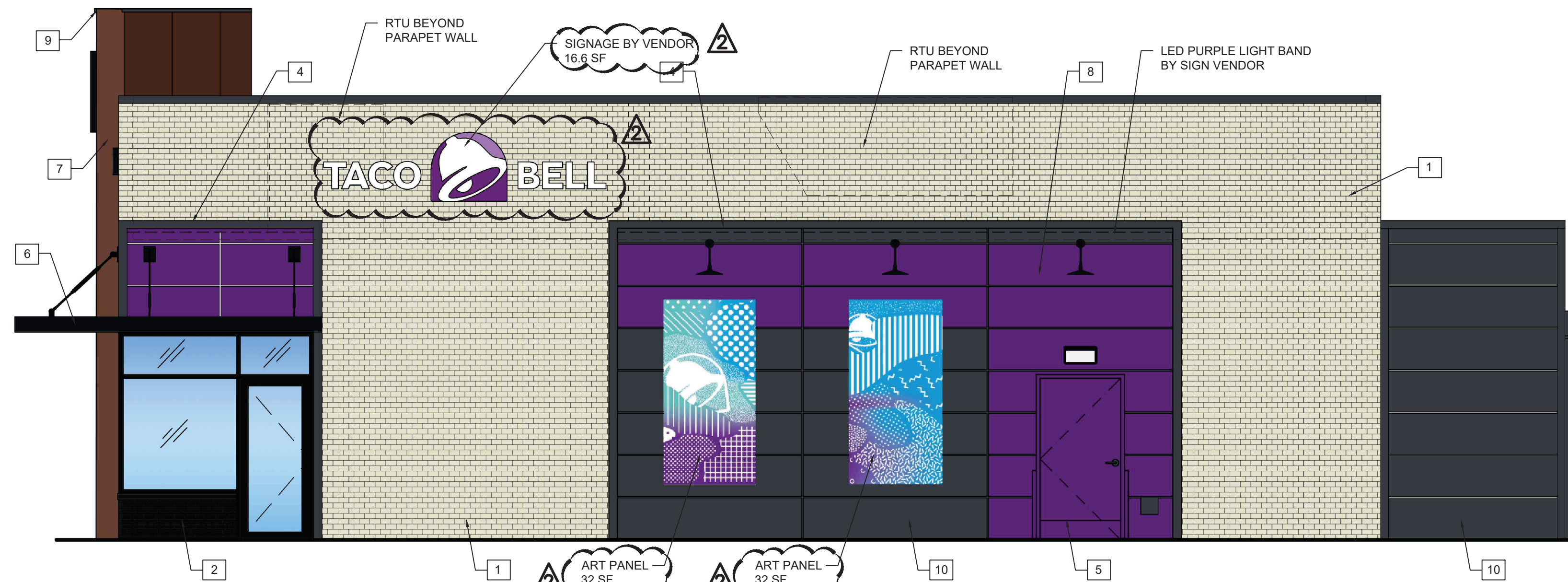
NORTH ELEVATION 1/4" = 1'-0" **1**



SOUTH ELEVATION 1/4" = 1'-0" **2**

KEY NOTES

A



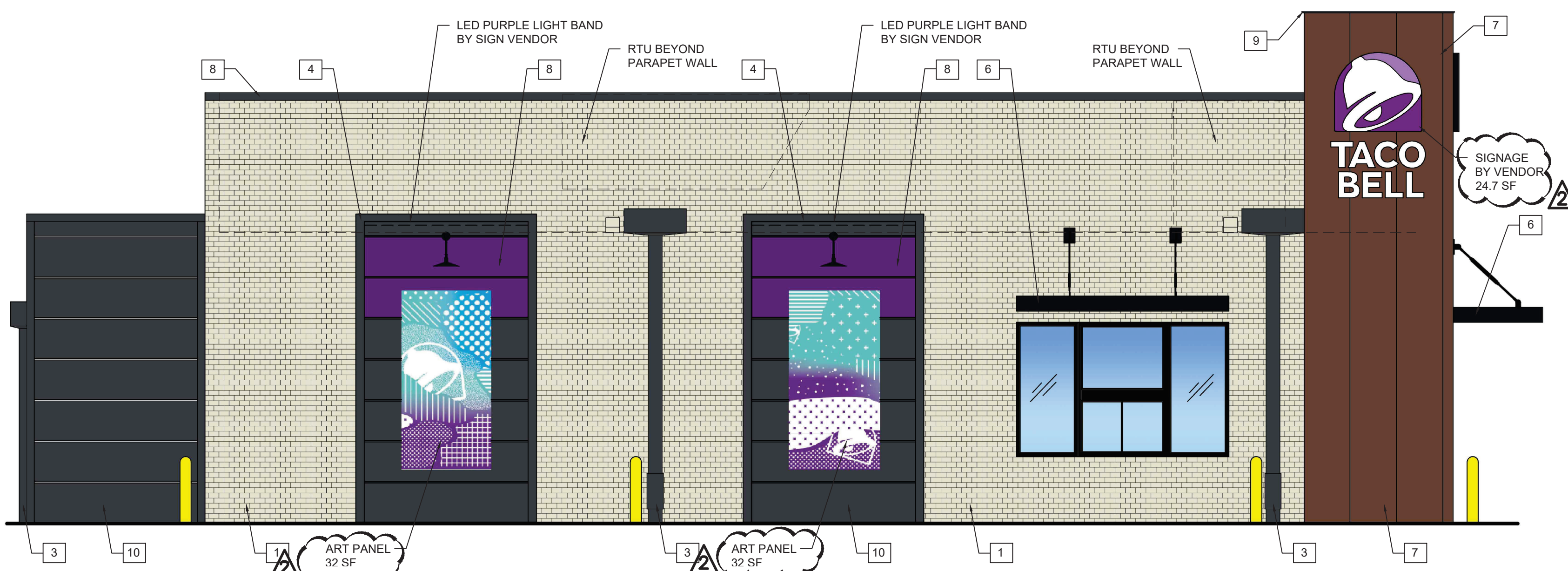
EAST ELEVATION 1/4" = 1'-0" **3**

SYMBOL	ITEM/MATERIAL	MANUFACTURER	MATERIAL SPEC	COLOR
1	MAIN BUILDING	INTERSTATE BRICK	THIN BRICK - MODULAR	ARTIC WHITE
2	UNDER WINDOWS	INTERSTATE BRICK	THIN BRICK - MODULAR	MIDNIGHT BLACK
3	DOWN SPOUTS / SCUPPERS	-	-	CYBERSPACE (SW7076), SEMI-GLOSS
4	HARDIE BOARD (FIBER CEMENT TRIM)	-	HARDIE TRIM 5/4 SMOOTH 1"x5.5"	CYBERSPACE (SW7076), SEMI-GLOSS
5	HOLLOW METAL DOOR	-	-	SW PURPLE TB2603C, SEMI-GLOSS
6	AWNINGS	SIGNAGE VENDOR	-	BLACK BY THE SIGNAGE VENDOR
7	CORNER TOWER (METAL PANELS)	WESTERN STATE	T-GROOVE 24GA PAINTED 18" PANEL	WEATHERED RUSTIC
8	HARDIE BOARD (FIBER CEMENT PANELS)	JAMES HARDIE	PANEL SYSTEM	SW PURPLE TB2603C, SEMI-GLOSS
9	METAL PARAPET CAP	-	24GA GALVANIZED	CYBERSPACE (SW7076) KYNAR 500 COATING
10	HARDIE BOARD (FIBER CEMENT PANELS)	JAMES HARDIE	PANEL SYSTEM	CYBERSPACE (SW7076), SEMI GLOSS

- △ 03-05-24 ZONING COMMENTS
- △ 01-29-24 ZONING COMMENTS

EXTERIOR FINISH SCHEDULE

B



WEST ELEVATION 1/4" = 1'-0" **4**

NORTH: TOTAL = 537 SQ. FT.
BRICK = 234 SQ. FT. (44%)
HARDIE PANEL = 299 SQ. FT. (56%)

SOUTH: TOTAL = 572 SQ. FT.
BRICK = 154 SQ. FT. (40%)
HARDIE PANEL = 91 SQ. FT. (22%)
METAL PANEL = 152 SQ. FT. (13%)
ACCENT (PURPLE) = 82 SQ. FT. (14%)

EAST: TOTAL = 1,166 SQ. FT.
BRICK = 599 SQ. FT. (51%)
HARDIE PANEL = 461 SQ. FT. (40%)
ACCENT (PURPLE) = 208 SQ. FT. (18%)

WEST: TOTAL = 1,211 SQ. FT.
BRICK = 657 SQ. FT. (54%)
HARDIE PANEL = 322 SQ. FT. (27%)
METAL PANEL = 152 SQ. FT. (13%)
ACCENT (PURPLE) = 63 SQ. FT. (5%)

FINISH CALCULATIONS

C

CONTRACT DATE:
BUILDING TYPE: ENDEAVOR
PLAN VERSION:
SITE NUMBER:
STORE NUMBER:

TACO BELL

1019 E. OGDEN AVE.
NAPERVILLE, IL



ENDEAVOR

**COLORED
EXTERIOR
ELEVATIONS**

A4.2

PLOT DATE:

Taco Bell Naperville

1019 East Ogden Ave.
Naperville, IL.

Date 12/11/23

Acct. Executive S. Menna

Page No. 003

Revision Number Date

(Rev. 1) 12/14/23

(Rev. 2) 01/18/23

(Rev. 3) 01/29/23

(Rev. 4) 01/30/23

(Rev. 5) 01/31/23

(Rev. 6)

Drawn By D. Savage

Drawing Scale

PERMIT INFO

Sign Sq. Ft.

No. of Lamps/LEDs

Total Wattage

No. of Power Supplies

Total Amperage

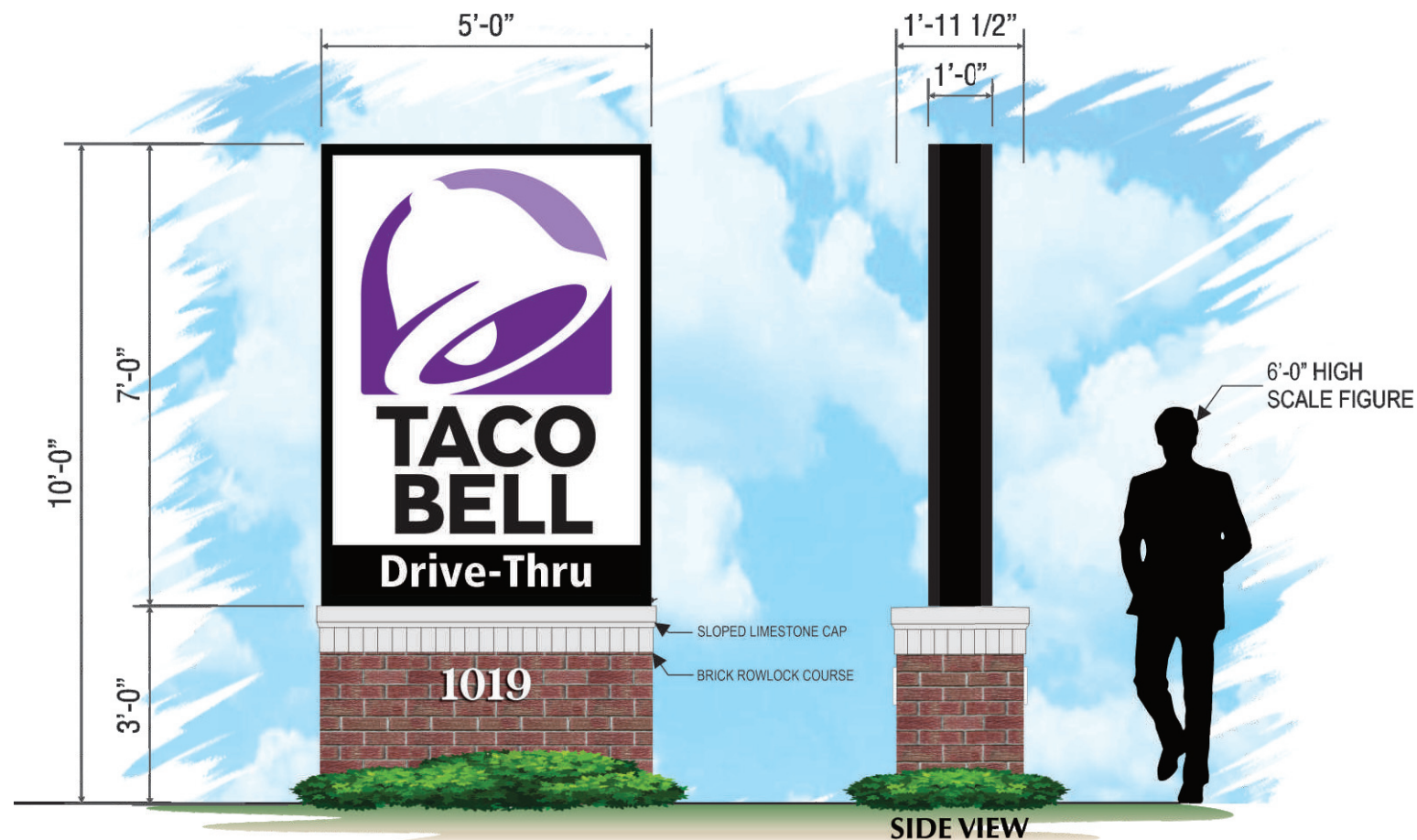
Ext. 20 Amp Toggle
Switch w/Rubber Boot

Signature mm/dd/yy

Cust. Approval Date

Signature mm/dd/yy

Landlord Approval Date



A QTY(1) 7'-0"H x 5'-0"W D.F. LED ILLUM. MONUMENT DISPLAY

Total Sq.Ft.: 35.00
Face: White Polycarbonate
Returns & Retainers: Painted Alum, Black



3/8"=1'-0"

Vinyl to Match: Dark Purple-PMS 2603 Light Purple-PMS 2577, Black, Black Perf. Taco Bell Ltrs and White W/ Block Out Defuser

Illumination: White LED

Notes: Brick Base and Sill to Match Existing Building (Electric, Concrete & Brick Base By Others)
Address on Base to be Pin Mtd. FCO & Painted White



ELECTRICAL NOTES

Sign company DOES NOT provide Primary Electrical to Sign. Power to the Sign must be done by a licensed electrical contractor or licensed electrician.

Each Sign Must Have:

1. A minimum of One(1) dedicated 120V 20A circuit.
2. Junction box installed within Six(6) feet of Sign.
3. Three Wire: Line, Ground, and Neutral.

Taco Bell Naperville

1019 East Ogden Ave.
 Naperville, IL.

Date 12/11/23

Acct. Executive S. Menna

Page No. 004

Revision Number Date

(Rev. 1) 12/14/23

(Rev. 2) 01/18/23

(Rev. 3) 01/29/23

(Rev. 4) 01/30/23

(Rev. 5) 01/31/23

(Rev. 6)

Drawn By D. Savage

Drawing Scale

PERMIT INFO

Sign Sq. Ft.

No. of Lamps/LEDs

Total Wattage

No. of Power Supplies

Total Amperage

Ext. 20 Amp Toggle
 Switch w/Rubber Boot

Signature mm/dd/yy

Cust. Approval Date

Signature mm/dd/yy

Landlord Approval Date



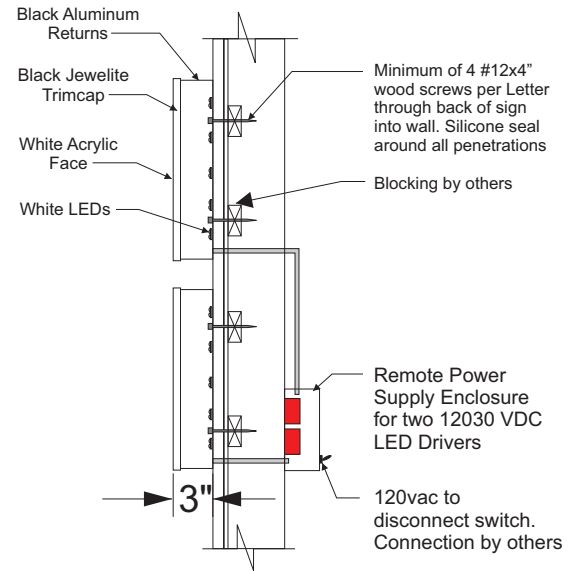
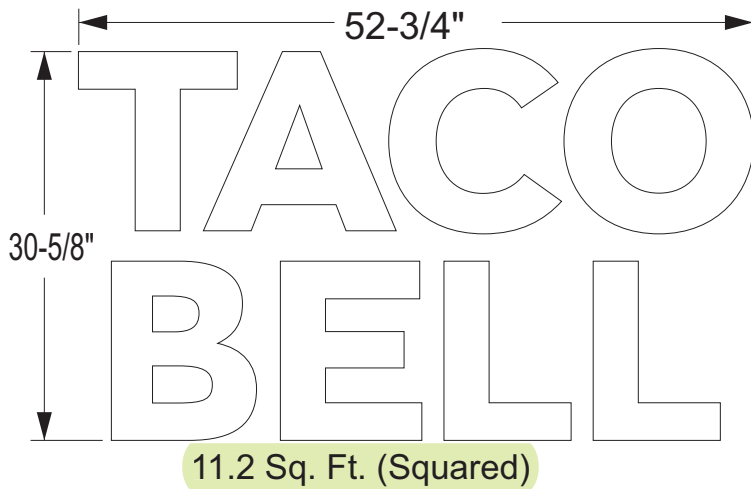
ELECTRICAL NOTES

Sign company DOES NOT provide Primary Electrical to Sign. Power to the Sign must be done by a licensed electrical contractor or licensed electrician.

Each Sign Must Have:

1. A minimum of One(1) dedicated 120V 20A circuit.
2. Junction box installed within Six(6) feet of Sign.
3. Three Wire: Line, Ground, and Neutral.

Taco Bell 14" High Channel Letter Sign



Design Parameters:

- 150 mph wind speed 3-second gust-Exposure C.
- 300 PSF per foot of depth allowable lateral soil bearing pressure
- Compliant with national building codes and standards
- (IBC, UBC, BOCA, AISC, ASCE 7, ACI & Aluminum Design Manual)
- Refer to written documentation for material specification details.

Electrical:

LED Module 6500K White
- 0.5 Watt per Module

(2) LED Power Supply 12030
- 0.5 Amps per Power Supply

Total Amp Load: 1.0 Amp - 120 Volts AC

Circuits: (1) 20 amp circuits 60 HZ - UL 48 & NEC compliant

Total Load: 6.6 amps - (1) 20 amp circuits 60 HZ

Graphic & Color Specifications:

Color	PMS
Dark Purple	2603
Light Purple	2577

Taco Bell - 14"H Channel Letters

All artwork remains the property of Awningtec and may not be used or reproduced in any manner without the express permission of the owner, Mansen Way. Unauthorized use of this material is subject to a minimum design fee.

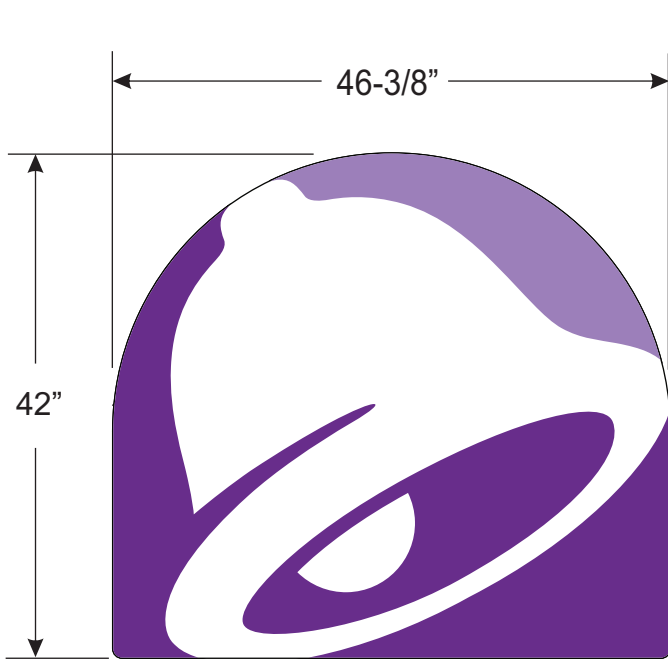
CUSTOMER Taco Bell		FILE NUMBER
DRAWN BY JLW	APPROVED BY (please print)	LAST MODIFIED 1/30/2017
SCALE NTS	SIGNATURE	APPROVAL DATE

Awningtec USA
Backlit Awnings Illuminated Signs

© Copyright Awningtec 1997

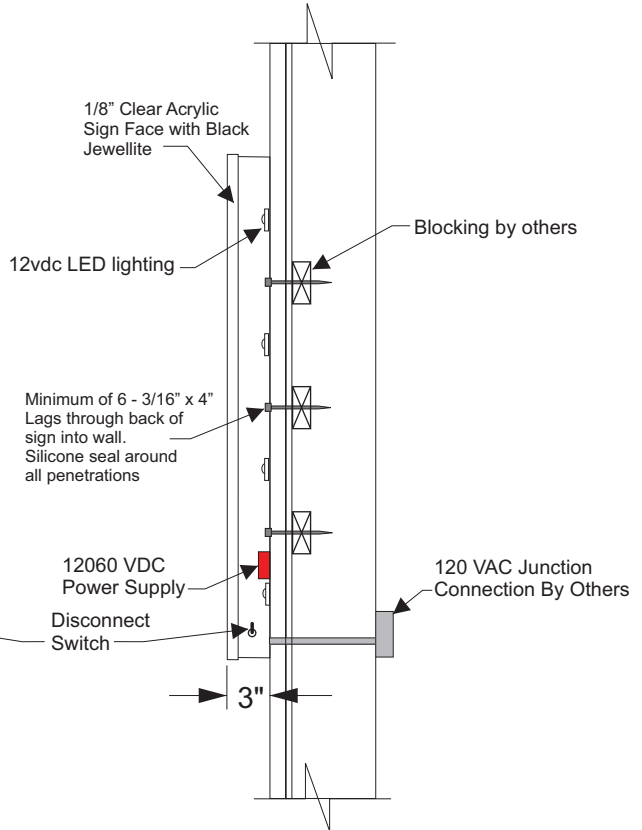
P.O. Box 837, Corydon, Indiana, USA, 47112
Phone: (812) 734-0423 * 1-800-450-4040 * FAX: (812) 734-0344

Taco Bell 3'6" x 3'10-3/8" Logo Sign



Surface Area = 12 Sq.Ft.

Squared Area = 13.5 Sq.Ft.



Design Parameters:

- 150 mph wind speed 3-second gust-Exposure C.
- 300 PSF per foot of depth allowable lateral soil bearing pressure
- Compliant with national building codes and standards
- (IBC, UBC, BOCA, AISC, ASCE 7, ACI & Aluminum Design Manual)
- Refer to written documentation for material specification details.

Electrical:

LED Module 6500K White
 - 0.5 Watt per unit
 (1) LED Power Supply 12060
 - 0.75 Amps per Power Supply
 Total Amp Load: 0.75 amps/120 Volts AC
 Circuits: (1) 20 amp circuits 60 HZ - UL 48 & NEC compliant

Graphic & Color Specifications:

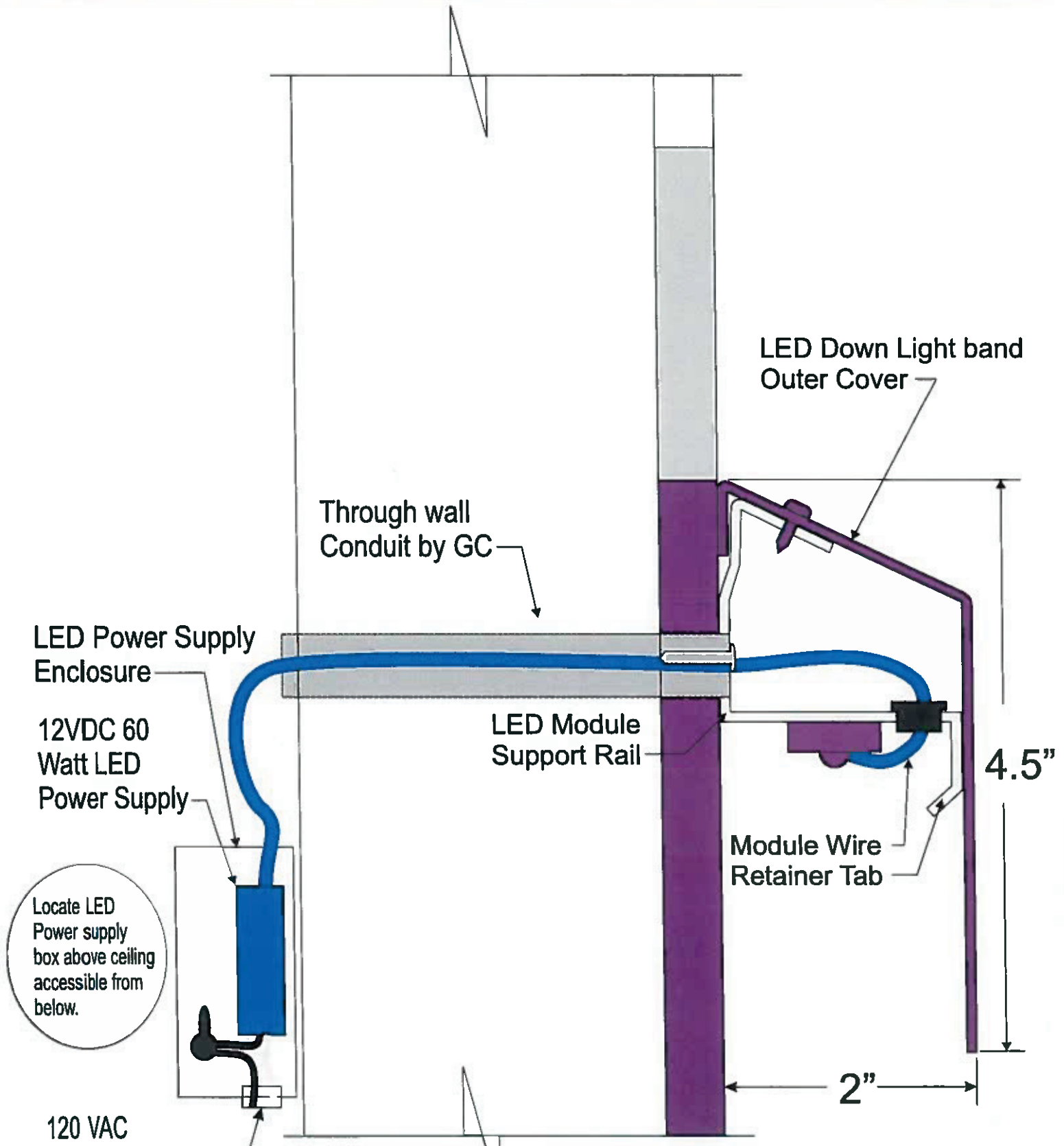
Color	PMS
Dark Purple	2603
Light Purple	2577

Taco Bell 3'6" x 3'10-3/8" Logo Sign

All artwork remains the property of Awningtec and may not be used or reproduced in any manner without the express permission of the owner, Mansen Way. Unauthorized use of this material is subject to a minimum design fee.

CUSTOMER		FILE NUMBER TB-BellLogo-V930-42x46.375.cdr	<p>P.O.Box 837, Corydon, Indiana, USA, 47112 Phone-(812) 734-0423 * 1-800-450-4040 * FAX-(812)734-0344</p>
DRAWN BY MWW	APPROVED BY (please print)	LAST MODIFIED 03-13-17	
SCALE NTS	SIGNATURE	APPROVAL DATE	

Taco Bell Purple Down Light Band



Locate LED Power supply box above ceiling accessible from below.

Taco Bell Purple Down Light band

All artwork remains the property of Awningtec and may not be used or reproduced in any manner without the express permission of the owner, Mawm Way. Unauthorized use of this material is subject to a maximum design fee.

CUSTOMER		FILE NUMBER	
		Purple Down Light band.cdr	
DRAWN BY	APPROVED BY (please print)	LAST MODIFIED	
MWW		Oct 18/2021	
SCALE	SIGNATURE	APPROVAL DATE	

© Copyright Awningtec 1997
P.O. Box 887, Canyon, Idaho, USA 87125
Phone: (407) 756-6121 * 1-800-485-6121 * Fax: (407) 756-6121

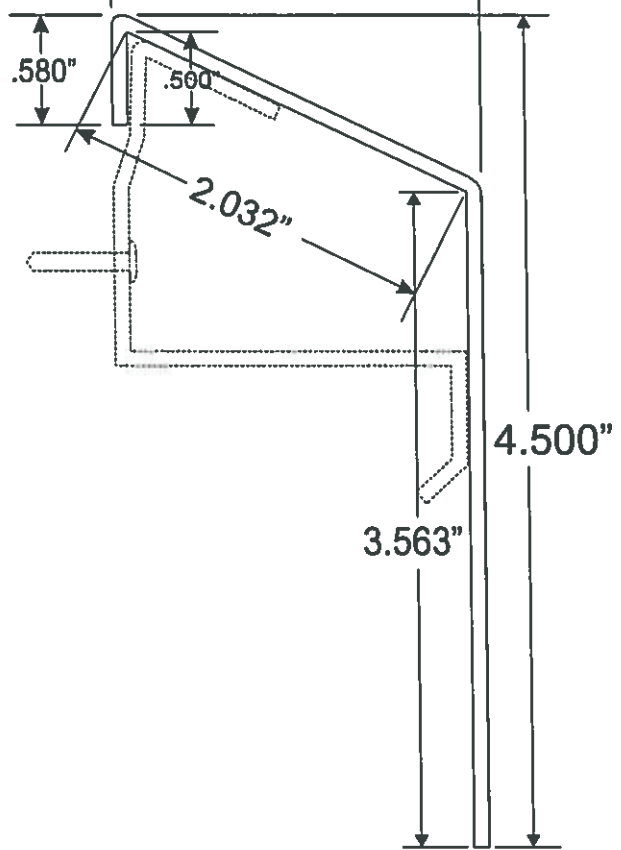
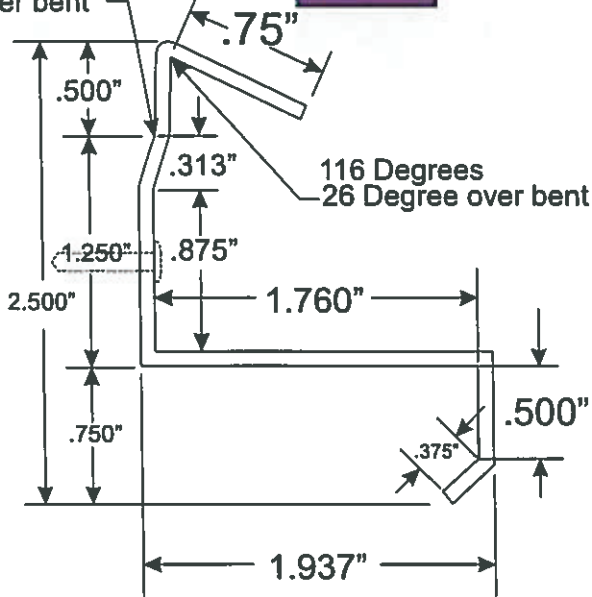
7/8" Dia Hole
6" from right
end of all fixtures

LED Module
Support Rail

3/4" Hole
Module Wire
Retainer Tab

4.5"

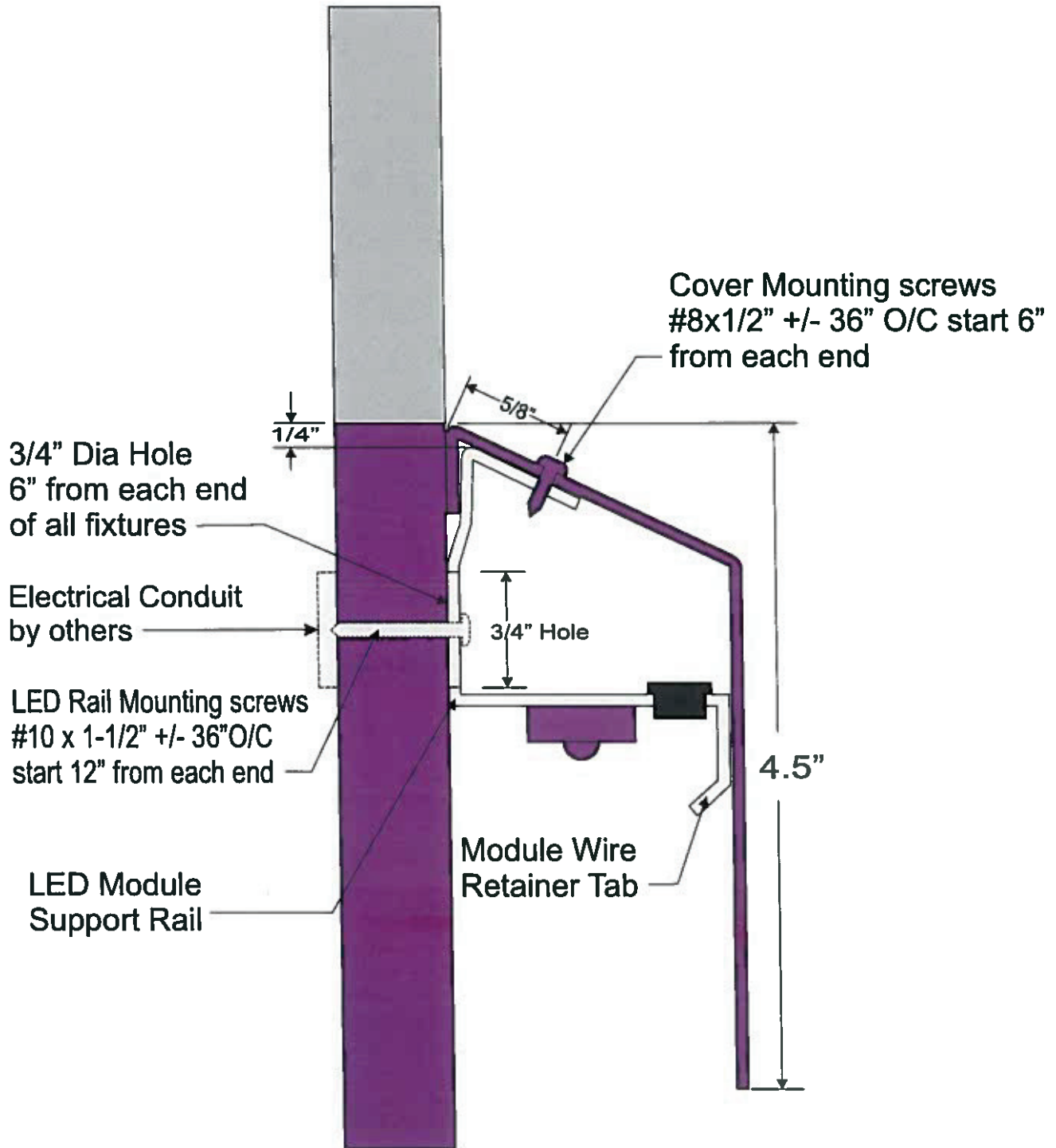
3 Degree
under bent




5.44" x 120 x 0.063" Aluminum

6.095" x 120 x 0.063" Aluminum

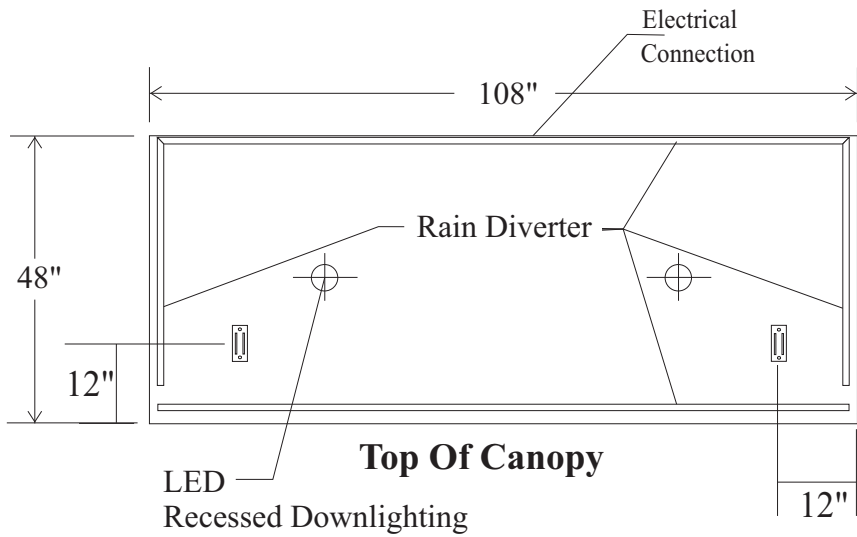
Taco Bell Purple Down Light band		
All artwork remains the property of Awningtec and may not be used or reproduced in any manner without the express permission of the owner, Marsee Wey. Unauthorized use of this material is subject to a minimum design fee.		
CUSTOMER	FILE NUMBER	 <small>© Copyright Awningtec 1997 P.O. Box 827, Dayton, Indiana, USA 47112 Phone: 615-734-0323 Fax: 615-734-4224</small>
DRAWN BY	APPROVED BY (owner only)	
SCALE	SIGNATURE	
	APPROVAL DATE	
		Purple Down Light band.cdr LAST MODIFIED Oct 18/2021



Taco Bell Purple Down Light band			
All artwork remains the property of Awningtec and may not be used or reproduced in any manner without the express permission of the owner, Manson Way. Unauthorized use of this material is subject to a minimum design fee.			
CUSTOMER	FILE NUMBER		
ORDER BY	APPROVED BY	LAST MODIFIED	
MWW	AWNING	OCT 18/2021	
SCALE	SIGNATURE	APPROVAL DATE	



© Copyright Awningtec 1997
 4080 E. Green, Ingle, USA 6710
 Phone: (781) 744-0001 • 1-800-468-1188 • FAX: (781) 744-0004



Bracket Details

8"x8"x 3/16" Aluminum Plate

2 1/2"x6"x3/16" Aluminum Plate

7/16" Mounting Holes

Wall Bracket

Canopy Bracket

7/16" Hole To Through Bolt 1" Turn Buckle

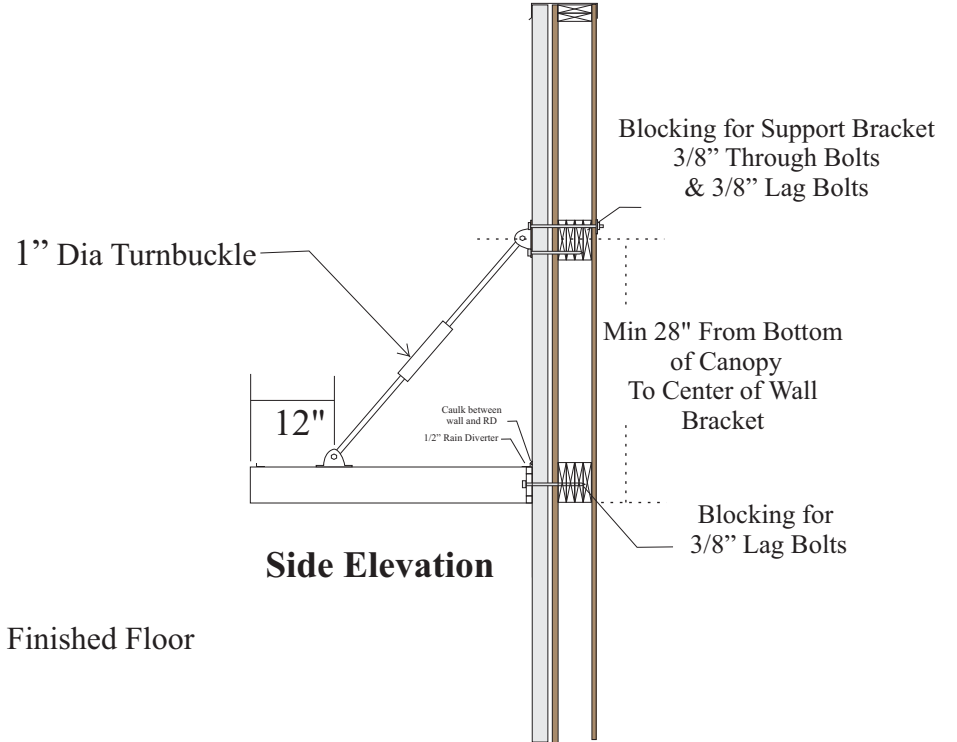
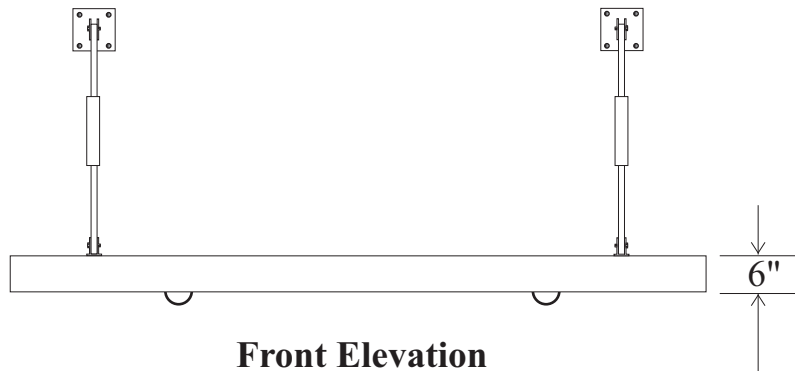
Side View

DESIGN PARAMETERS:

- 150 MPH wind speed 3 second gust-Exposure C.
- Attachment may vary based on wall conditions.
- Compliant with national building codes and standards (IBC, UBC, BOCA, AISC, ASCE7, ACI & Aluminum Design Manual)
- Refer to written documentation for material specifications.
- .125" Aluminum skin
- Fabricated using 1" aluminum extrusion
- Suspended with 1" diameter turnbuckles and plates

GRAPHIC & COLOR SPECIFICATIONS:

	COLOR	Tiger Drylac
CANOPY STRUCTURE	Brown C33	49/66230



FF

Scale - 3/8 inch = 1 ft

Page 1 of 1

Awningtec USA
Backlit Awnings Illuminated Signs
© Copyright Awningtec 1997

P.O. Box 837, Corydon, Indiana, USA, 47112
Phone: (812) 734-0423 * 1-800-450-4040 * FAX: (812) 734-0344

THIS DRAWING IS INTENDED FOR USE ONLY BY AWNINGTEC USA AND THE CLIENT TO WHICH THE DRAWING IS FURNISHED. IT IS NOT TO BE SHOWN, COPIED FOR, OR DISTRIBUTED TO ANY OTHER PARTY WITHOUT THE WRITTEN CONSENT OF AN AWNINGTEC USA OFFICER.

Client Approval:

Initials: _____ Date: _____

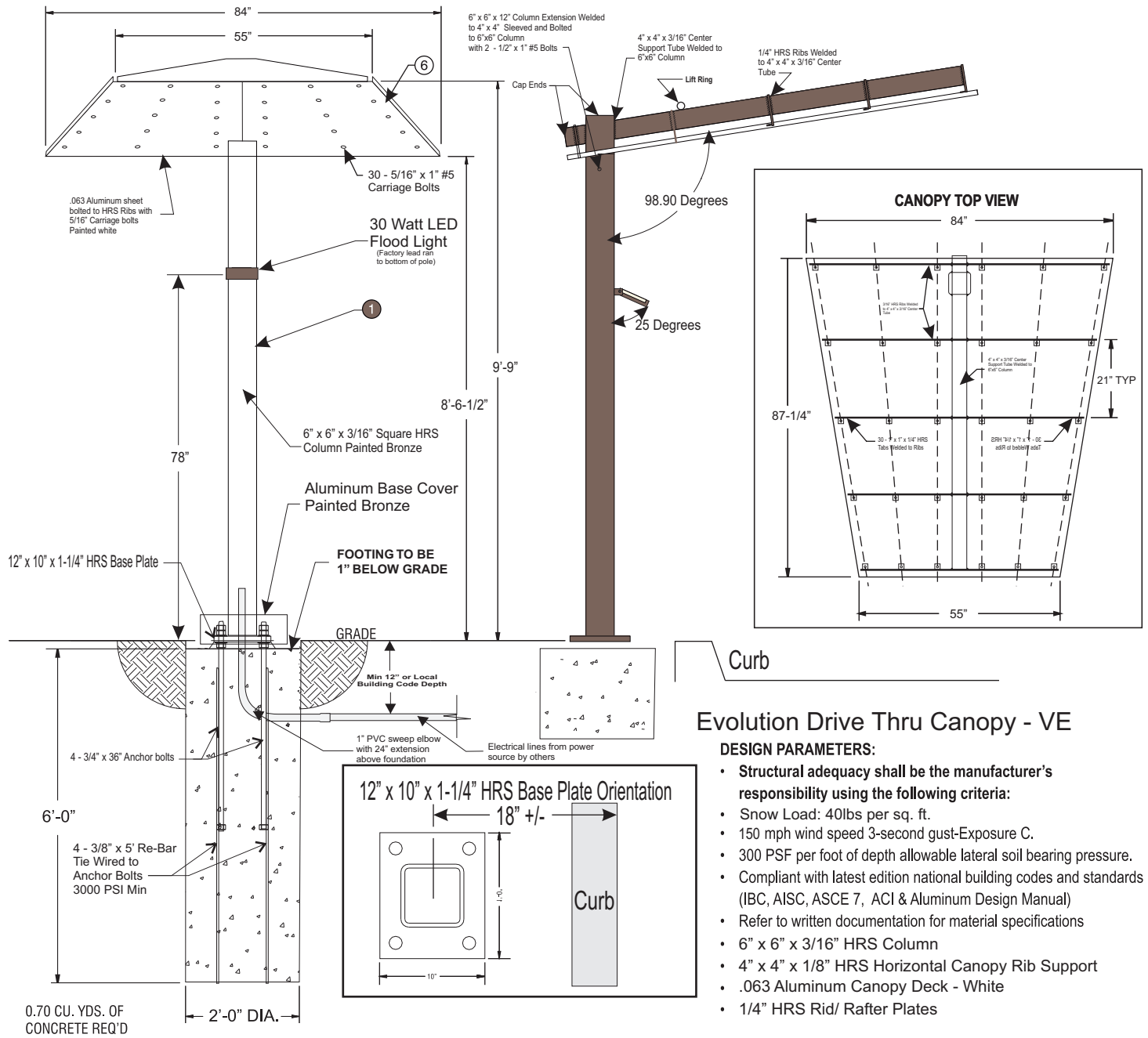
Check This Box If Revisions Are Needed.

Client: Taco Bell

Job Name: TB Drive Thru Canopy

Drawing No: TB-DTCPY Revision No: 1

Drawn By: MWW Date: 08/01/13



Evolution Drive Thru Canopy - VE

DESIGN PARAMETERS:

- Structural adequacy shall be the manufacturer's responsibility using the following criteria:
- Snow Load: 40lbs per sq. ft.
- 150 mph wind speed 3-second gust-Exposure C.
- 300 PSF per foot of depth allowable lateral soil bearing pressure.
- Compliant with latest edition national building codes and standards (IBC, AISC, ASCE 7, ACI & Aluminum Design Manual)
- Refer to written documentation for material specifications
- 6" x 6" x 3/16" HRS Column
- 4" x 4" x 1/8" HRS Horizontal Canopy Rib Support
- .063 Aluminum Canopy Deck - White
- 1/4" HRS Rid/ Rafter Plates

Electrical:

- Lamps: (1) Flood light - 30 watt LED
 Circuits: (1) 20 amp circuits 60 HZ - UL 48 & NEC compliant

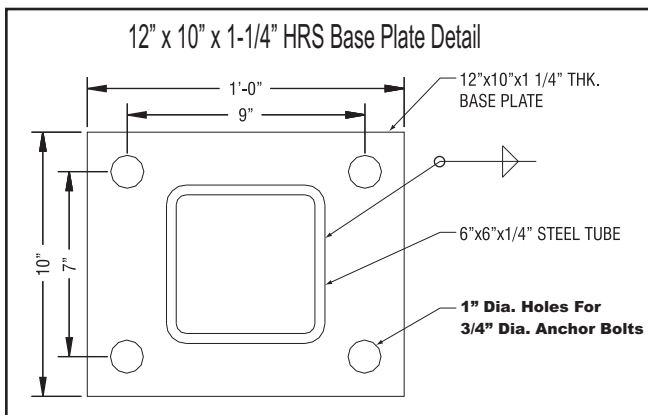
GRAPHIC & COLOR SPECIFICATIONS:

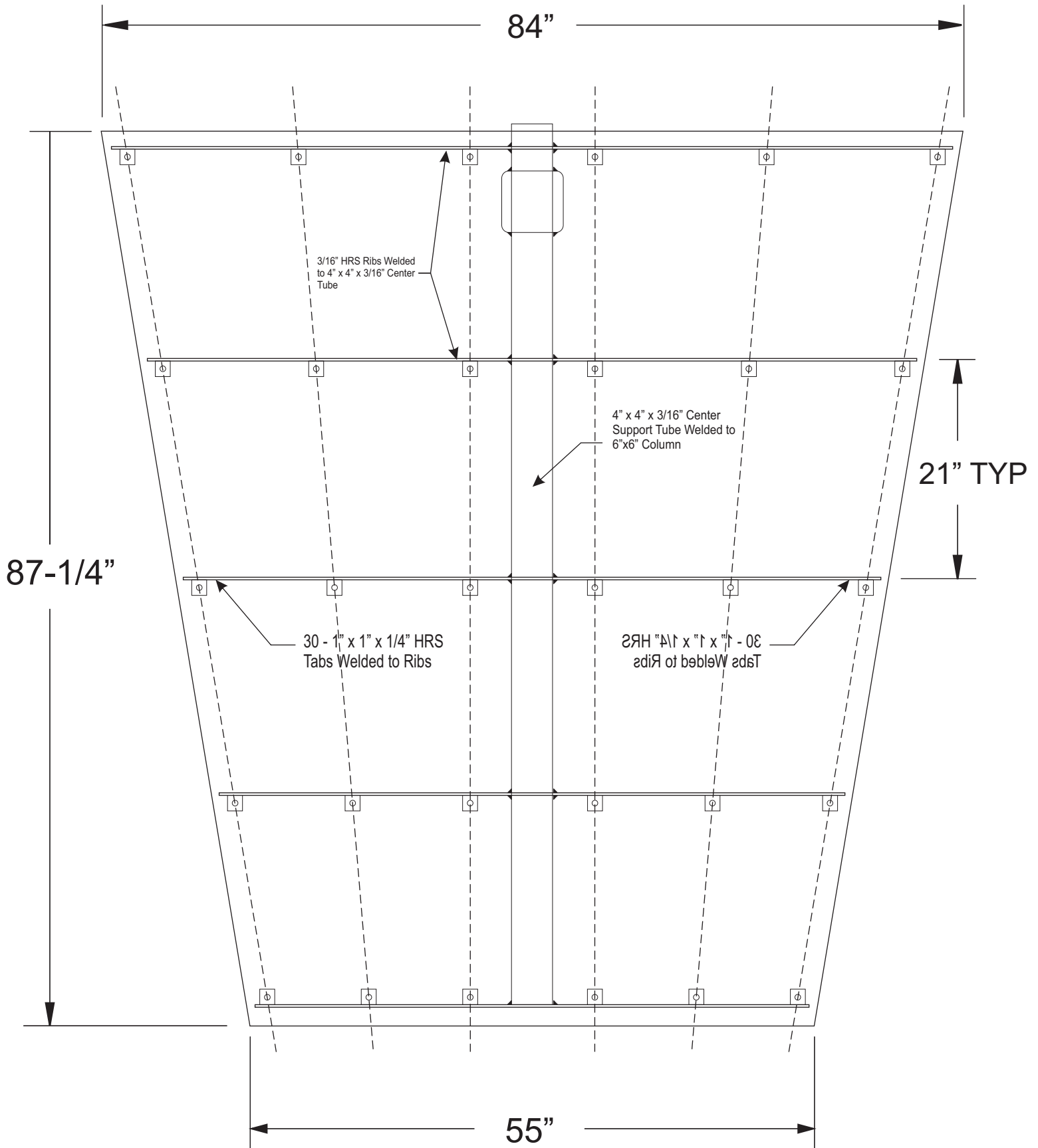
- COLOR
- ① TB Bronze Tiger Drylac 49-66230 C33
 - ② Amber Wave SW-6657 PMS 138U
 - ③ PMS 131U
 - ④ PMS 139U
 - ⑤ Plum PMS 2685U
 - ⑥ White Matte

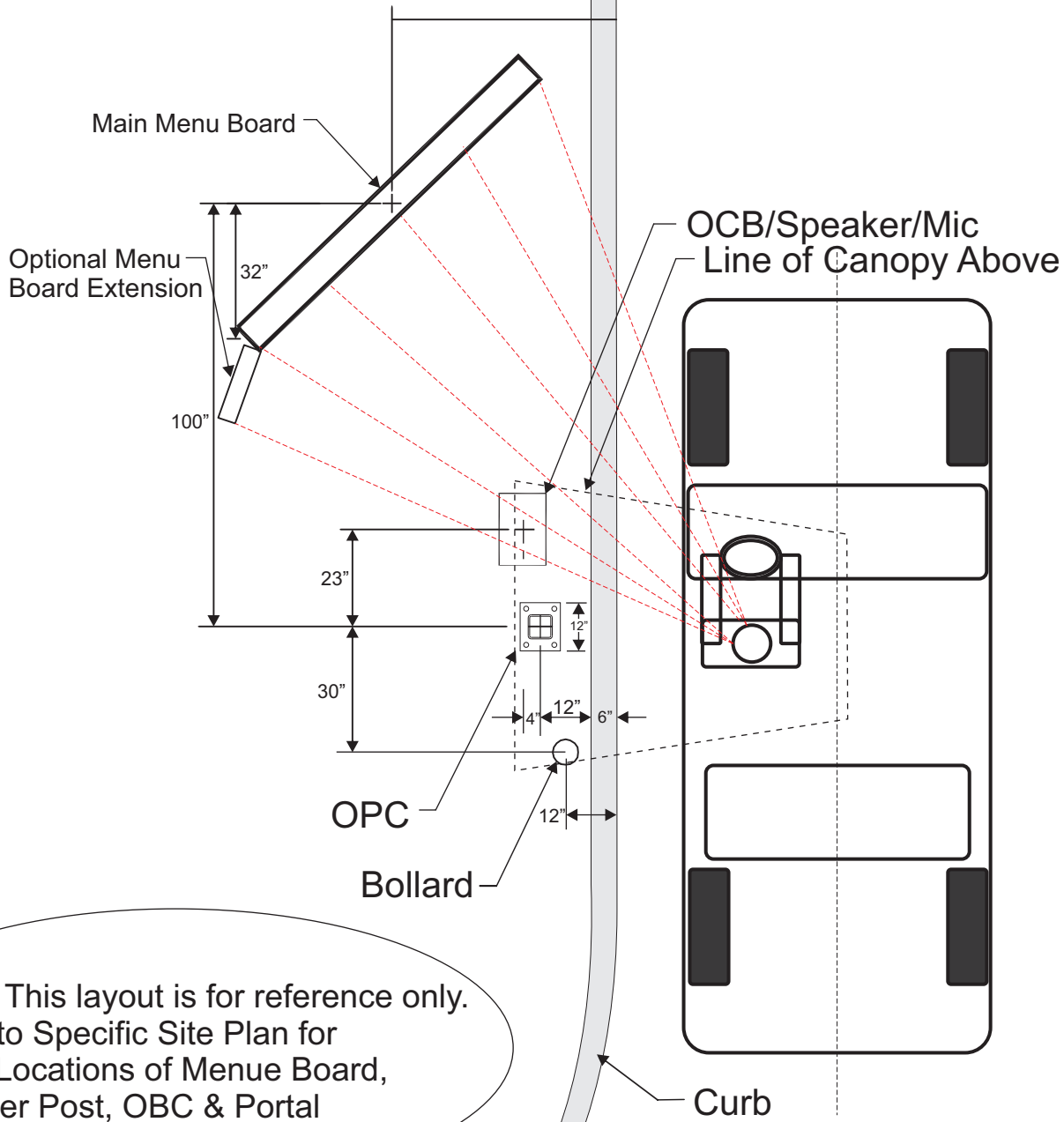
Evolution Drive Thru Canopy - VE

All artwork remains the property of Awningtec and may not be used or reproduced in any manner without the express permission of the owner, Mansen Way. Unauthorized use of this material is subject to a minimum design fee.

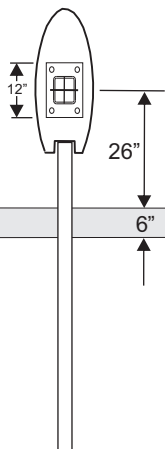
CUSTOMER	FILE NUMBER	
DRAWN BY	APPROVED BY (please print)	LAST MODIFIED
SCALE	SIGNATURE	APPROVAL DATE







Note - This layout is for reference only.
 Refer to Specific Site Plan for
 exact Locations of Menu Board,
 Speaker Post, OBC & Portal

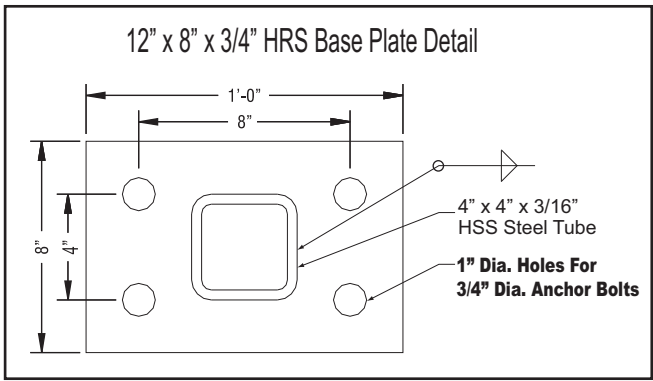
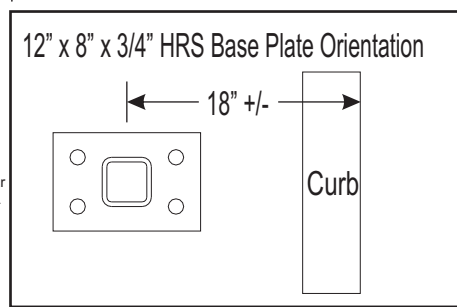
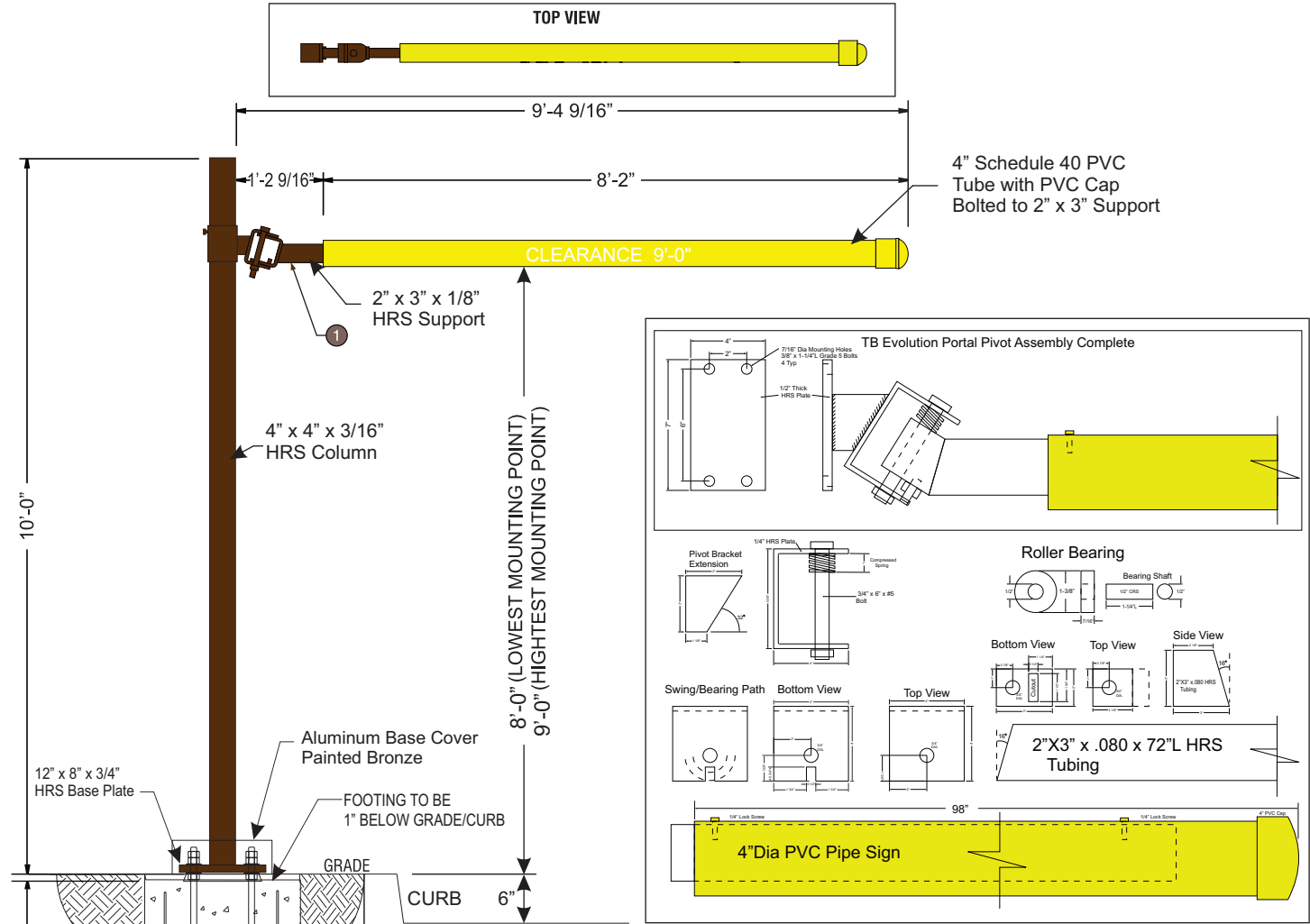


Evolution Drive Thru Order Board Canopy

All artwork remains the property of Awningtec and may not be used or reproduced in any manner without the express permission of the owner, Mansen Way. Unauthorized use of this material is subject to a minimum design fee.

CUSTOMER Taco Bell		FILE NUMBER
DRAWN BY	APPROVED BY (please print)	LAST MODIFIED
SCALE	SIGNATURE	APPROVAL DATE

Backlit Awnings Illuminated Signs
 © Copyright Awningtec 1997
 P.O. Box 837, Corydon, Indiana, USA 47112
 Phone: (812) 734-0423 * 1-800-450-4040 * FAX: (812) 734-0344



TB Evolution DT Portal - VE

DESIGN PARAMETERS:

- Structural adequacy shall be the manufacturer's responsibility using the following criteria:
 - 150 mph wind speed 3-second gust-Exposure C.
 - 300 PSF per foot of depth allowable lateral soil bearing pressure.
 - Compliant with latest edition national building codes and standard (IBC, AISC, ASCE 7, ACI & Aluminum Design Manual)
 - Refer to written documentation for material specifications
- 4"x4"x1/4" Steel tube column
- Adjustable mounting plate and hinge assembly for clearance bar
- 4" PVC tube sleeved over 2"x3" steel tube for clearance bar

GRAPHIC & COLOR SPECIFICATIONS:

COLOR

- ① 41342SP Brushed Aluminum
- ② Plum PMS 2685U
- ③ Amber Wave SW-6657 PMS 138U
- ④ PMS 131U
- ⑤ PMS 139U
- ⑥ Yellow PMS 108U
- ⑦ Pantone Process Magenta U
- ⑧ Pantone Violet U
- ⑨ Pantone Black

Evolution Drive Thru Portal - VE		
All artwork remains the property of Awningtec and may not be used or reproduced in any manner without the express permission of the owner, Mansen Way. Unauthorized use of this material is subject to a minimum design fee.		
CUSTOMER	FILE NUMBER	
DRAWN BY	APPROVED BY (please print)	LAST MODIFIED
SCALE	SIGNATURE	APPROVAL DATE