

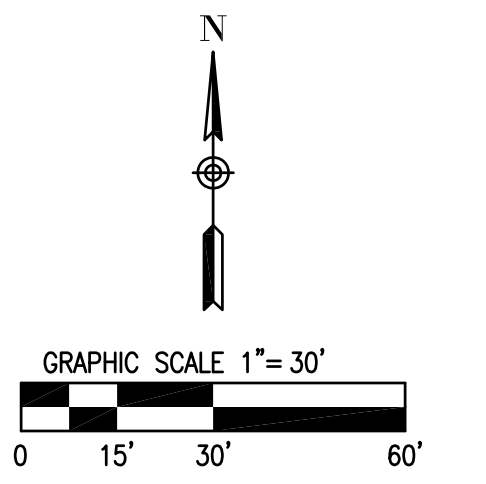
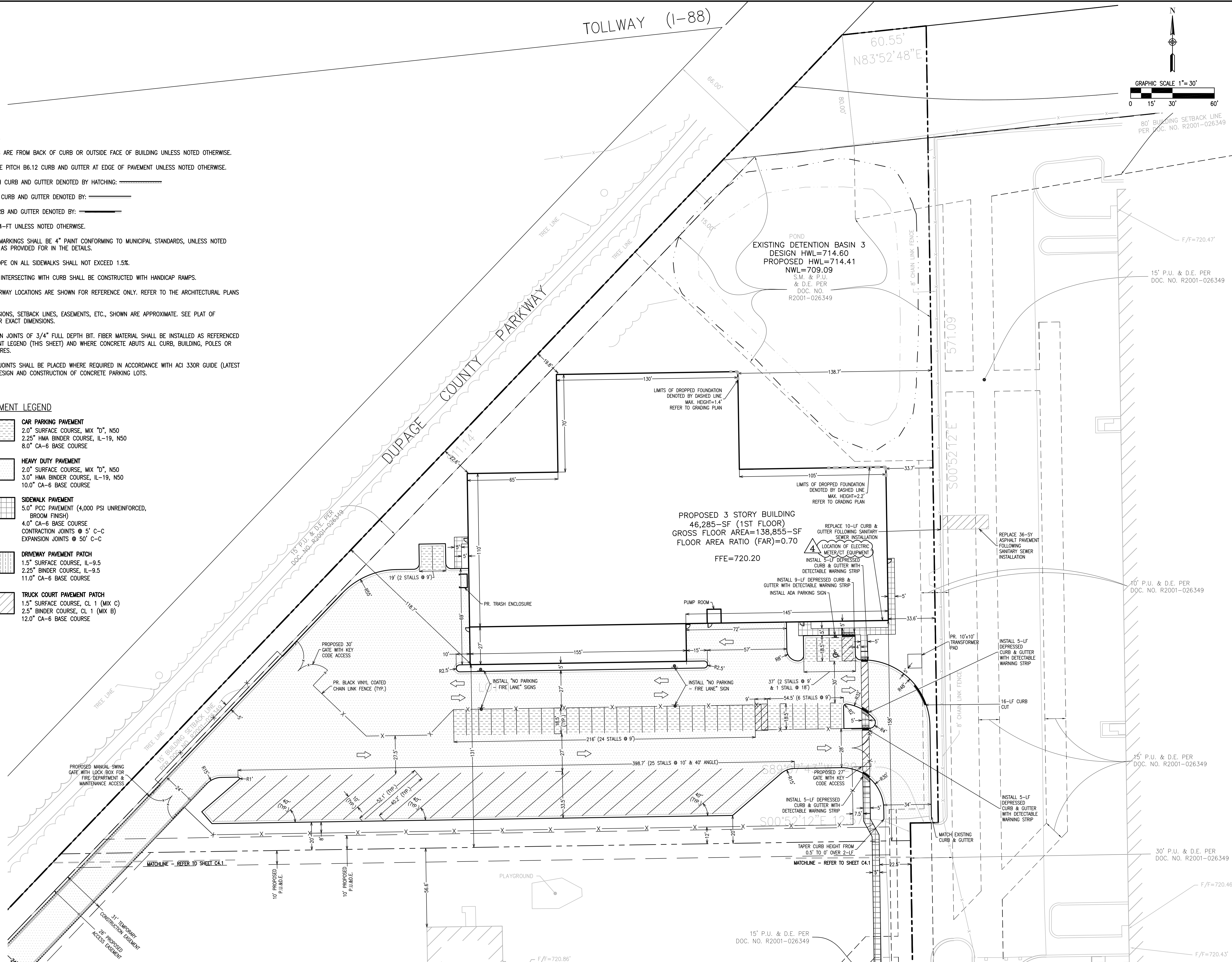


GEOMETRIC NOTES

- 1) ALL DIMENSIONS ARE FROM BACK OF CURB OR OUTSIDE FACE OF BUILDING UNLESS NOTED OTHERWISE.
- 2) INSTALL REVERSE PITCH B6.12 CURB AND GUTTER AT EDGE OF PAVEMENT UNLESS NOTED OTHERWISE.
- 3) STANDARD PITCH CURB AND GUTTER DENOTED BY HATCHING: _____
- 4) REVERSE PITCH CURB AND GUTTER DENOTED BY: _____
- 5) DEPRESSED CURB AND GUTTER DENOTED BY: _____
- 6) ALL RADII ARE 4-FT UNLESS NOTED OTHERWISE.
- 7) ALL PAVEMENT MARKINGS SHALL BE 4" PAINT CONFORMING TO MUNICIPAL STANDARDS, UNLESS NOTED OTHERWISE, OR AS PROVIDED FOR IN THE DETAILS.
- 8) THE CROSS SLOPE ON ALL SIDEWALKS SHALL NOT EXCEED 1.5%.
- 9) ALL SIDEWALKS INTERSECTING WITH CURB SHALL BE CONSTRUCTED WITH HANDICAP RAMPS.
- 10) STAIR AND DOORWAY LOCATIONS ARE SHOWN FOR REFERENCE ONLY. REFER TO THE ARCHITECTURAL PLANS FOR DETAILS.
- 11) ALL LOT DIMENSIONS, SETBACK LINES, EASEMENTS, ETC., SHOWN ARE APPROXIMATE. SEE PLAT OF SUBDIVISION FOR EXACT DIMENSIONS.
- 12) FIBER EXPANSION JOINTS OF 3/4" FULL DEPTH BIT. FIBER MATERIAL SHALL BE INSTALLED AS REFERENCED IN THE PAVEMENT LEGEND (THIS SHEET) AND WHERE CONCRETE ABUTS ALL CURB, BUILDING, POLES OR OTHER STRUCTURES.
- 13) CONSTRUCTION JOINTS SHALL BE PLACED WHERE REQUIRED IN ACCORDANCE WITH ACI 330R GUIDE (LATEST EDITION) FOR DESIGN AND CONSTRUCTION OF CONCRETE PARKING LOTS.

PAVEMENT LEGEND

- CAR PARKING PAVEMENT**
 2.0" SURFACE COURSE, MIX "D", N50
 2.25" HMA BINDER COURSE, IL-19, N50
 8.0" CA-6 BASE COURSE
- HEAVY DUTY PAVEMENT**
 2.0" SURFACE COURSE, MIX "D", N50
 3.0" HMA BINDER COURSE, IL-19, N50
 10.0" CA-6 BASE COURSE
- SIDEWALK PAVEMENT**
 5.0" PCC PAVEMENT (4,000 PSI UNREINFORCED, BROOM FINISH)
 4.0" CA-6 BASE COURSE
 CONTRACTION JOINTS @ 5' C-C
 EXPANSION JOINTS @ 50' C-C
- DRIVEWAY PAVEMENT PATCH**
 1.5" SURFACE COURSE, IL-9.5
 2.25" BINDER COURSE, IL-9.5
 11.0" CA-6 BASE COURSE
- TRUCK COURT PAVEMENT PATCH**
 1.5" SURFACE COURSE, CL 1 (MIX C)
 2.5" BINDER COURSE, CL 1 (MIX B)
 12.0" CA-6 BASE COURSE



No.	Description	Date
4	REVISED PER CITY COMMENTS	2/5/20
3	REVISED PER CITY COMMENTS	1/9/20
2	REVISED PER CITY COMMENTS	11/22/19
1	ORIGINAL PLAN DATE	8/2/19

DIMENSIONAL CONTROL PLAN
2403 DIEHL ROAD
BEYOND SELF STORAGE
NAPERVILLE, ILLINOIS

JACOB & HEFNER ASSOCIATES
 1333 Butterfield Rd., Suite 300, Downers Grove, IL 60115
 PHONE: (630) 652-4600, FAX: (630) 652-4601
 www.jacobandhefner.com

F637
1" = 30'
C4

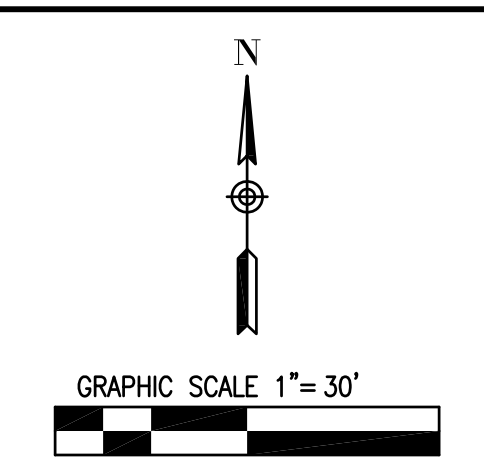
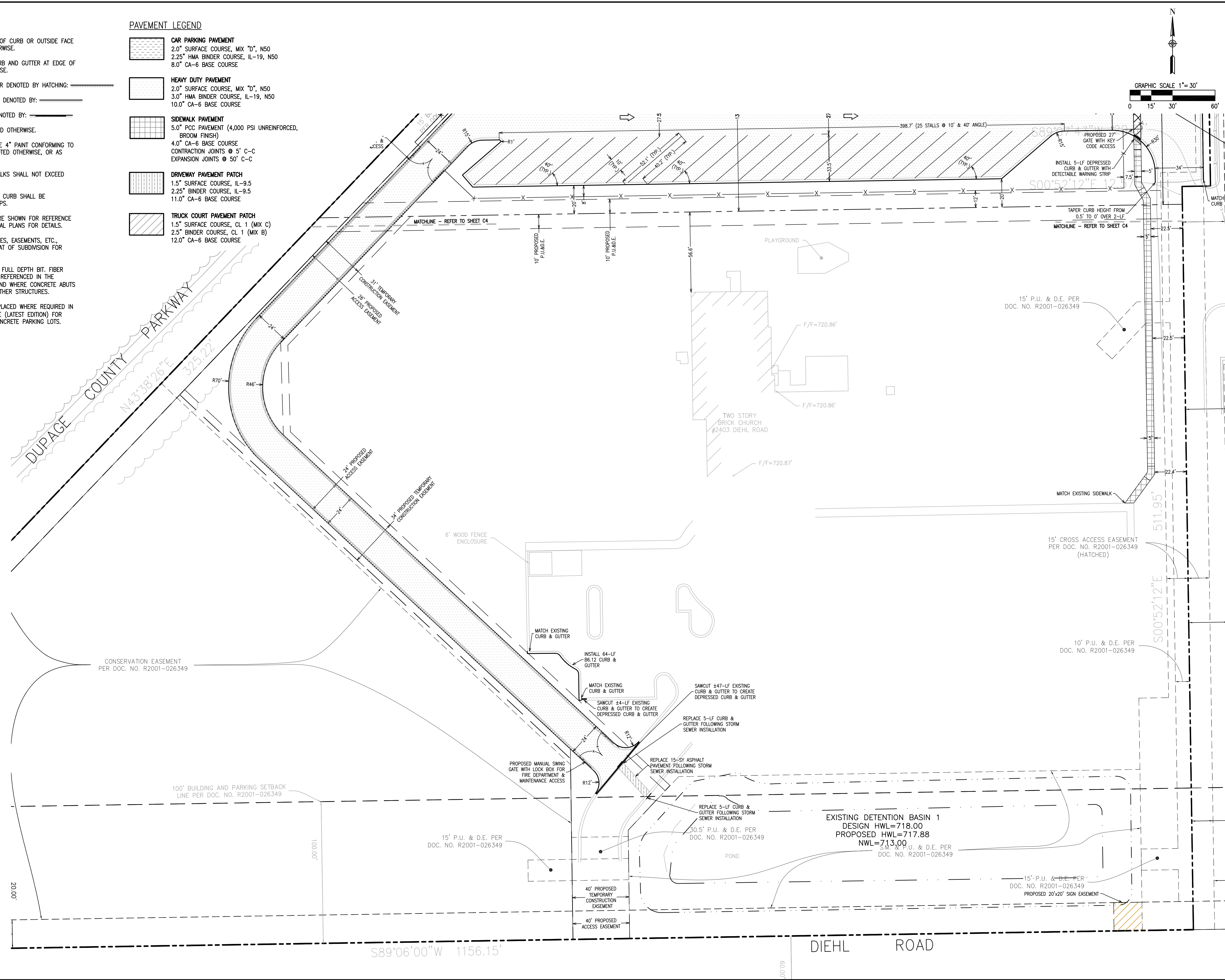


GEOMETRIC NOTES

- 1) ALL DIMENSIONS ARE FROM BACK OF CURB OR OUTSIDE FACE OF BUILDING UNLESS NOTED OTHERWISE.
- 2) INSTALL REVERSE PITCH B6.12 CURB AND GUTTER AT EDGE OF PAVEMENT UNLESS NOTED OTHERWISE.
- 3) STANDARD PITCH CURB AND GUTTER DENOTED BY HATCHING: _____
- 4) REVERSE PITCH CURB AND GUTTER DENOTED BY: _____
- 5) DEPRESSED CURB AND GUTTER DENOTED BY: _____
- 6) ALL RADII ARE 4-FT UNLESS NOTED OTHERWISE.
- 7) ALL PAVEMENT MARKINGS SHALL BE 4" PAINT CONFORMING TO MUNICIPAL STANDARDS, UNLESS NOTED OTHERWISE, OR AS PROVIDED FOR IN THE DETAILS.
- 8) THE CROSS SLOPE ON ALL SIDEWALKS SHALL NOT EXCEED 1.5%.
- 9) ALL SIDEWALKS INTERSECTING WITH CURB SHALL BE CONSTRUCTED WITH HANDICAP RAMPS.
- 10) STAIR AND DOORWAY LOCATIONS ARE SHOWN FOR REFERENCE ONLY. REFER TO THE ARCHITECTURAL PLANS FOR DETAILS.
- 11) ALL LOT DIMENSIONS, SETBACK LINES, EASEMENTS, ETC., SHOWN ARE APPROXIMATE. SEE PLAT OF SUBDIVISION FOR EXACT DIMENSIONS.
- 12) FIBER EXPANSION JOINTS OF 3/4" FULL DEPTH BIT. FIBER MATERIAL SHALL BE INSTALLED AS REFERENCED IN THE PAVEMENT LEGEND (THIS SHEET) AND WHERE CONCRETE ABUTS ALL CURB, BUILDING, POLES OR OTHER STRUCTURES.
- 13) CONSTRUCTION JOINTS SHALL BE PLACED WHERE REQUIRED IN ACCORDANCE WITH ACI 330R GUIDE (LATEST EDITION) FOR DESIGN AND CONSTRUCTION OF CONCRETE PARKING LOTS.

PAVEMENT LEGEND

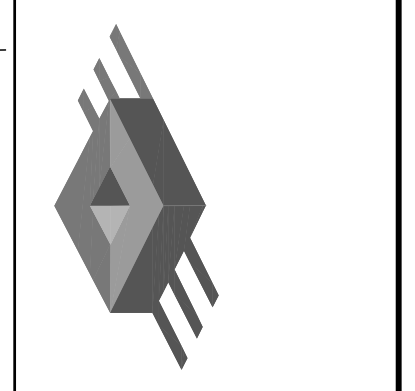
- CAR PARKING PAVEMENT**
 2.0" SURFACE COURSE, MIX "D", N50
 2.25" HMA BINDER COURSE, IL-19, N50
 8.0" CA-6 BASE COURSE
- HEAVY DUTY PAVEMENT**
 2.0" SURFACE COURSE, MIX "D", N50
 3.0" HMA BINDER COURSE, IL-19, N50
 10.0" CA-6 BASE COURSE
- SIDEWALK PAVEMENT**
 5.0" PCC PAVEMENT (4,000 PSI UNREINFORCED, BROOM FINISH)
 4.0" CA-6 BASE COURSE
 CONTRACTION JOINTS @ 5' C-C
 EXPANSION JOINTS @ 50' C-C
- DRIVEWAY PAVEMENT PATCH**
 1.5" SURFACE COURSE, CL 1 (MIX C)
 2.25" BINDER COURSE, IL-9.5
 11.0" CA-6 BASE COURSE
- TRUCK COURT PAVEMENT PATCH**
 1.5" SURFACE COURSE, CL 1 (MIX C)
 2.5" BINDER COURSE, CL 1 (MIX B)
 12.0" CA-6 BASE COURSE



No.	Description	Date
4	REVISED PER CITY COMMENTS	2/5/20
3	REVISED PER CITY COMMENTS	1/9/20
2	REVISED PER CITY COMMENTS	11/22/19
1	ORIGINAL PLAN DATE	8/2/19

DIMENSIONAL CONTROL PLAN - SOUTH
 2403 DIEHL ROAD
 BEYOND SELF STORAGE
 NAPERVILLE, ILLINOIS

JACOB & HEFNER ASSOCIATES
 1333 Butterfield Rd., Suite 300, Downers Grove, IL 60515
 PHONE: (630) 652-4600, FAX: (630) 652-4601
 www.jacobandhefner.com



F637
 1" = 30'
 C4.1