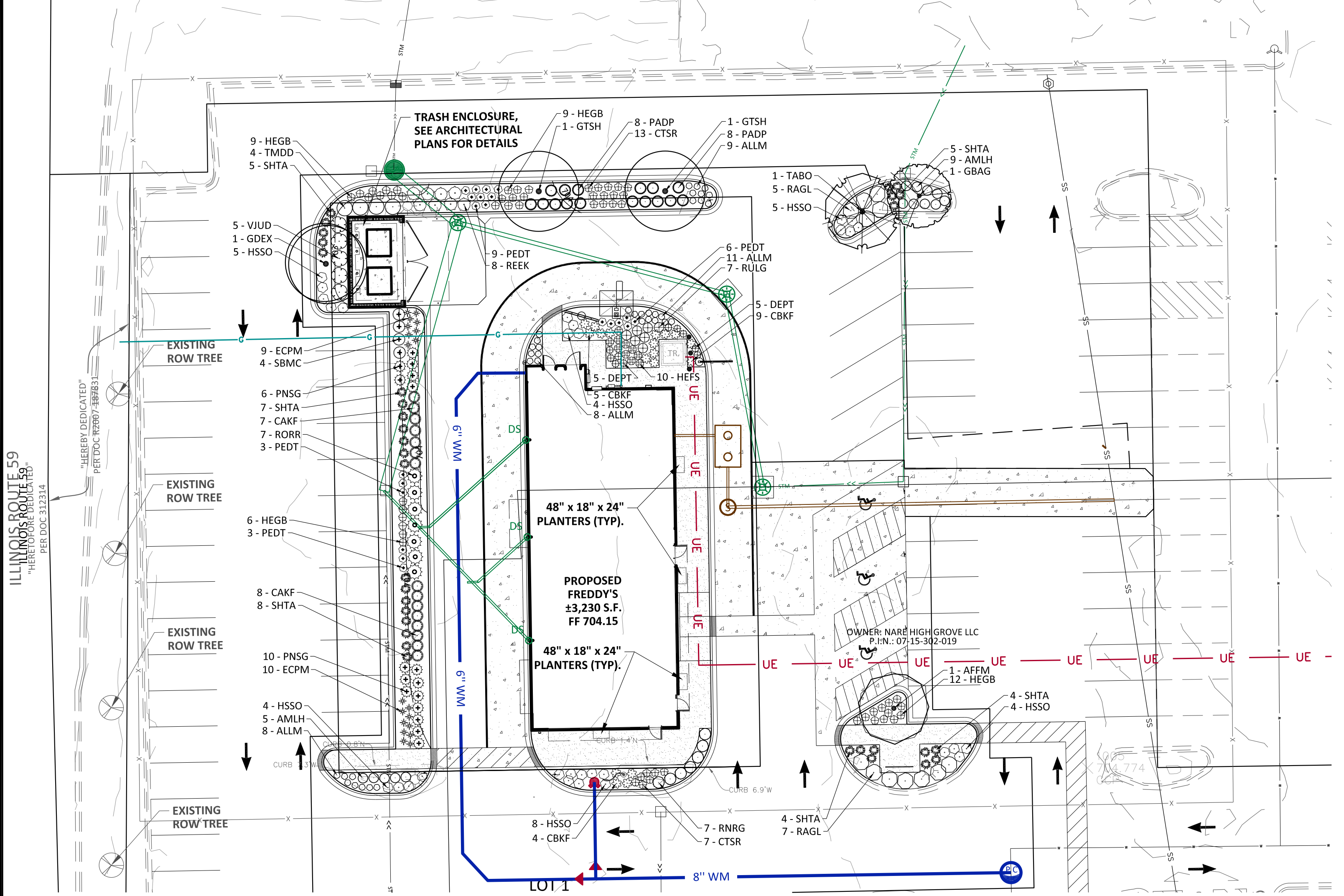


**LANDSCAPE KEY**  
DECORATIVE STONE

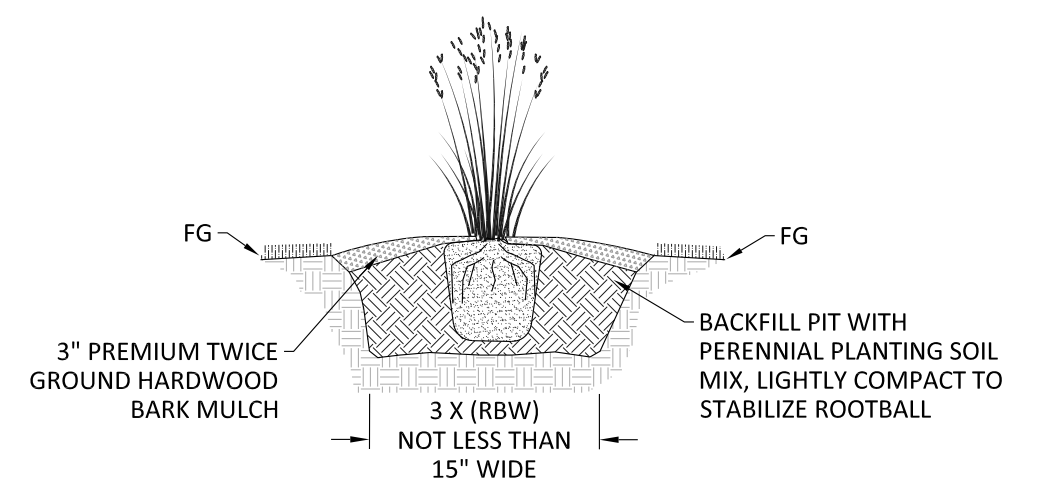
MUNICIPAL/AGENCY APPROVAL STAMP

**PLANT SCHEDULE**

TREES	CODE	BOTANICAL / COMMON NAME	SIZE	CONTAINER	QTY
	AFFM	Acer x freemanii 'DTR 102' TM / Autumn Fantasy Freeman Maple	2.5' Cal.	B&B	1
	GBAG	Ginkgo biloba 'Autumn Gold' TM / Autumn Gold Maidenhair Tree	2.5' Cal.	B&B	1
	GTSH	Gleditsia triacanthos inermis 'Shademaster' / Shademaster Honey Locust	2.5' Cal.	B&B	2
	GDEX	Gymnocladus dioica 'Espresso' / Kentucky Coffeetree	2.5' Cal.	B&B	1
	TABO	Tilia americana 'Boulevard' / Boulevard American Linden	2.5' Cal.	B&B	1
	5-SHTA	5-SHTA			
	9-AMLH	9-AMLH			
	9-GBAG	9-GBAG			
SHRUBS	CODE	BOTANICAL / COMMON NAME	SIZE	CONTAINER	QTY
	AMLH	Aronia melanocarpa 'UConnAM166' TM / Low Scape Hedger Black Chokeberry	3 gal.	#3 CONTAINER	14
	RAGL	Rhus aromatica 'Gro-Low' / Gro-Low Fragrant Sumac	5 gal.	#5 CONTAINER	12
	RORR	Rosa rugosa / Rugosa Rose	3 gal.	#3 CONTAINER	7
	REEK	Rosa x 'Balmir' TM / Easy Elegance Kashmir Rose	3 gal.	#3 CONTAINER	8
	RNRG	Rosa x 'Noara' / Flower Carpet® Red Groundcover Rose	3 gal.	#3 CONTAINER	7
	SBMC	Spiraea x bumalda 'Walburna' / Magic Carpet Spiraea	3 gal.	#3 CONTAINER	4
	TMDD	Taxus x media 'Densiformis' / Dense Anglo-Japanese Yew	2' HL	#5 CONTAINER	4
	VJUD	Viburnum x juddii / Judd Viburnum	3 gal.	#3 CONTAINER	5
GRASSES	CODE	BOTANICAL / COMMON NAME	SIZE	CONTAINER	QTY
	CBKF	Calamagrostis brachytricha / Korean Feather Reed Grass	1 gal.	#1 CONTAINER	18
	CAKF	Calamagrostis x acutiflora 'Karl Foerster' / Karl Foerster Feather Reed Grass	1 gal.	#1 CONTAINER	15
	PNSG	Panicum virgatum 'Northwind' / Northwind Switch Grass	1 gal.	#1 CONTAINER	16
	PADP	Pennisetum alopecuroides 'Desert Plains' / Desert Plains Fountain Grass	1 gal.	#1 CONTAINER	16
	SHTA	Sporobolus heterolepis 'Tara' / Tara Prairie Dropseed	1 gal.	#1 CONTAINER	33
PERENNIALS	CODE	BOTANICAL / COMMON NAME	SIZE	CONTAINER	QTY
	ALLM	Allium x 'Millenium' / Millennium Ornamental Onion	1 gal.	#1 CONTAINER	36
	CTSR	Coreopsis grandiflora 'Sunray' / Sunray Tickseed	1 gal.	#1 CONTAINER	20
	DEPT	Dianthus x 'Paint the Town Fuchsia' / Paint the Town Fuchsia Dianthus	1 gal.	#1 CONTAINER	10
	ECPM	Echinacea x 'CBG Cone 2' / Pkix Meadowbrite® Purple Coneflower	1 gal.	#1 CONTAINER	19
	HEFS	Helopsis helianthoides 'Tuscan Sun' / False Sunflower	1 gal.	#1 CONTAINER	10
	HEGB	Hemerocallis x 'Going Bananas' / Going Bananas Daylily	1 gal.	#1 CONTAINER	36
	HSSO	Hemerocallis x 'Stella de Oro' / Stella de Oro Daylily	1 gal.	#1 CONTAINER	30
	PEDT	Penstemon x 'Dark Towers' / Dark Towers Beardtongue	1 gal.	#1 CONTAINER	21
	RULG	Rudbeckia fulgida 'Little Goldstar' / Little Goldstar Coneflower	1 gal.	#1 CONTAINER	7

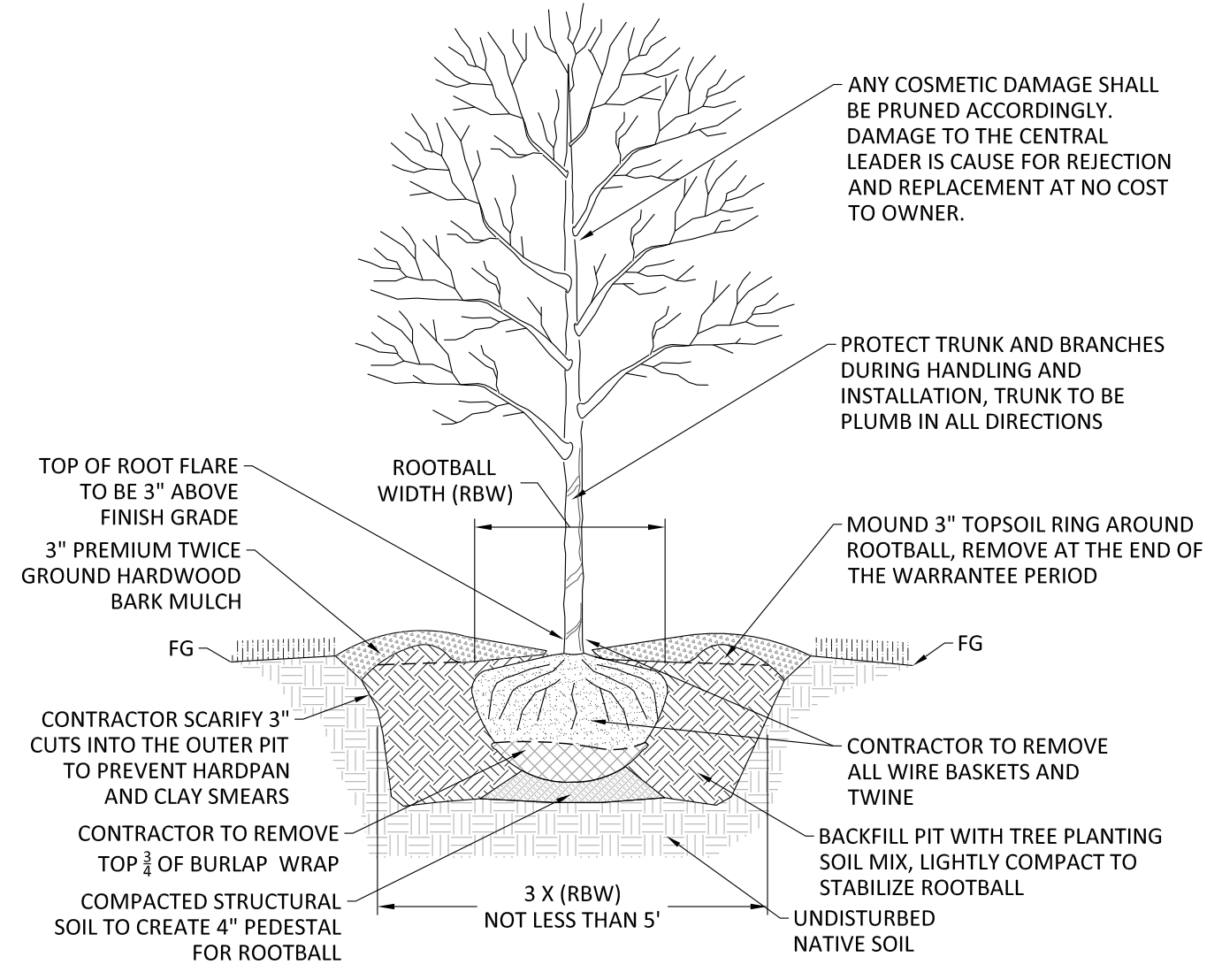


NOTE: TREES SHOULD BE SET A MINIMUM OF 5 FEET FROM MAINS AND SERVICES, AND 10 FEET FROM MANHOLES, VALVE VAULTS, VALVE BOXES, SERVICE BOXES, FIRE HYDRANTS, ETC.



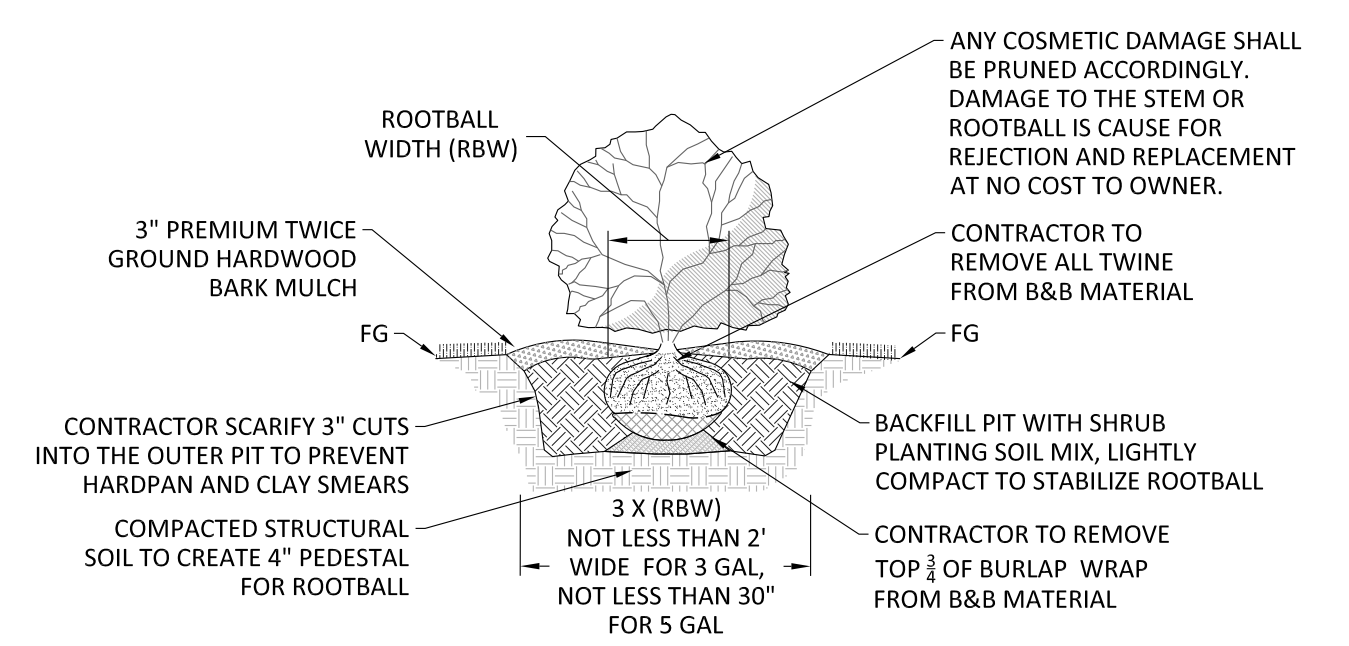
- ENSURE POSITIVE DRAINAGE AWAY FROM PERENNIALS AND ORNAMENTAL GRASSES.
- CONTRACTOR TO ENSURE ALL CONTAINER GROWN PLANTS ARE NOT ROOT BOUND.
- GENTLY SCARIFY EXTERIOR OF ROOTBALL.
- PERENNIAL BEDS SHALL BE TILLED TO A DEPTH OF 10" EXCEPT UNDER EXISTING TREES.
- UNDER EXISTING TREES, CONTRACTOR TO DIG STAND ALONE PLANTINGS IN NATIVE SOILS. CONTRACTOR TO FIELD ADJUST IF LARGE ROOTS ARE ENCOUNTERED.

**PERENNIAL/ ORNAMENTAL GRASS PLANTING**  
NOT TO SCALE



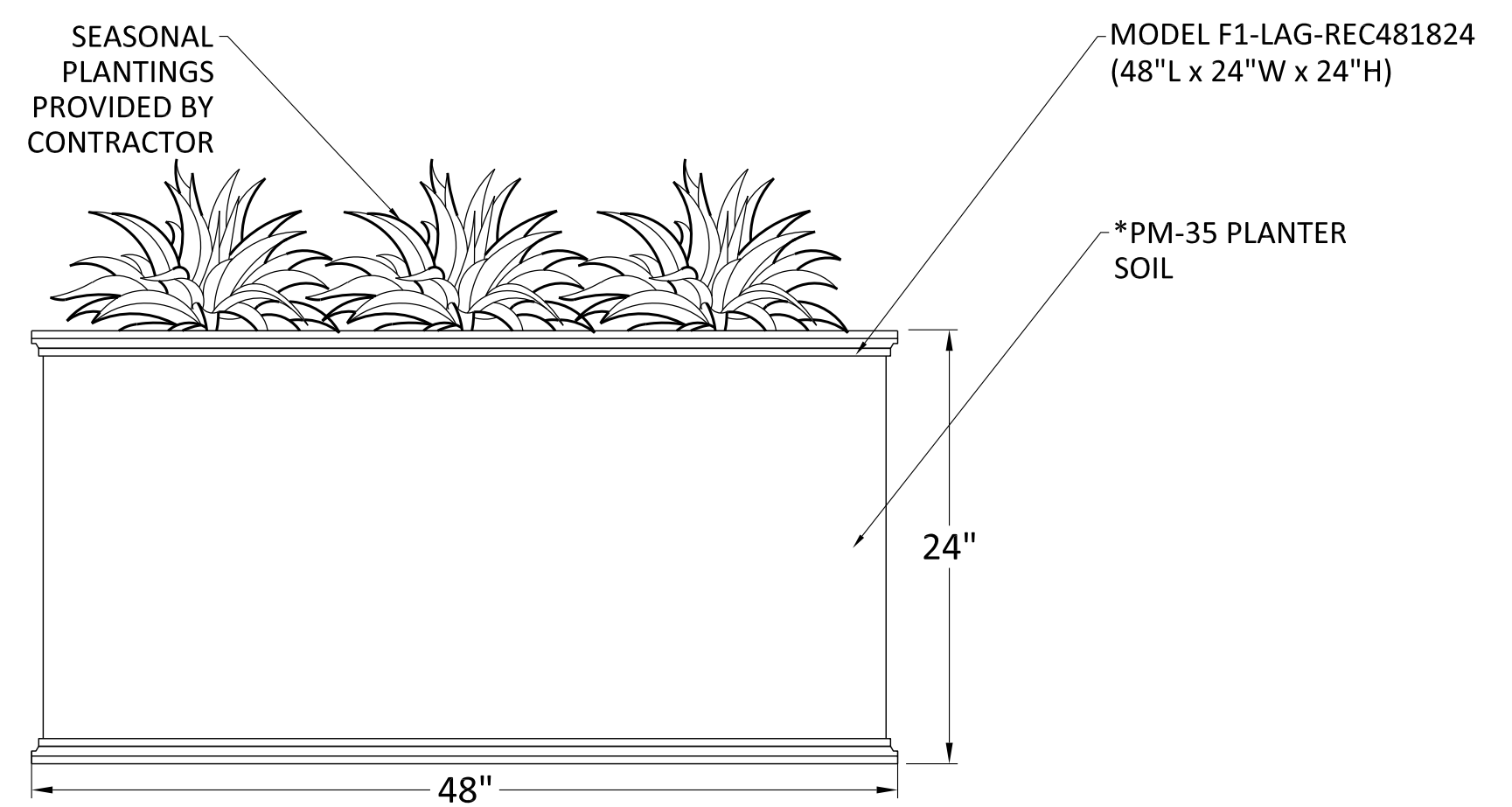
- TREE TO BE HANDLED BY THE ROOTBALL ONLY.
- ENSURE POSITIVE DRAINAGE AWAY FROM TREE.
- ALL TREES TO BE FIELD GROWN, ROOT PRUNED, AND SPADE DUG.
- ALL TREES TO BE Balled and Burlaped AS NECESSARY FOR ROOT PROTECTION, VIABILITY, HANDLING & TRANSPORT.

**SHADE TREE PLANTING**  
NOT TO SCALE



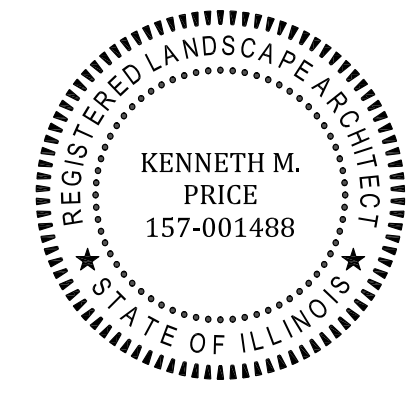
- SHRUB TO BE HANDLED BY THE ROOTBALL ONLY.
- ENSURE POSITIVE DRAINAGE AWAY FROM SHRUB.
- CONTRACTOR TO ENSURE ALL CONTAINER GROWN PLANTS ARE NOT ROOT BOUND.
- GENTLY SCARIFY EXTERIOR OF ROOTBALL.

**SHRUB PLANTING**  
NOT TO SCALE

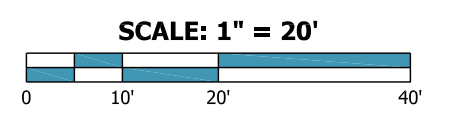


LAGUNA FIBERGLASS PLANTERS  
PN: F1-LAG-REC481824 BY PLANTERS UNLIMITED  
(OR APPROVED EQUAL)  
CHARCOAL SEMI-GLOSS FINISH

**PLANTER DETAIL**  
NOT TO SCALE



LANDSCAPE PREPARED BY WEAVER CONSULTANTS GROUP UNDER DIRECTION OF KENNETH M. PRICE



**FREDDY'S - NAPERVILLE**  
1967 GLACIER PARK AVENUE  
NAPERVILLE, IL 60540  
**LANDSCAPE PLAN**

NO.	DATE	REVISION DESCRIPTION	BY
1	10/17/2022	PER CITY OF NAPERVILLE COMMENTS	DG
2	12/19/2022	PER CITY OF NAPERVILLE COMMENTS	DG
3	01/02/2023	ADDRESS CHANGE	DG
4	01/26/2023	PER CLIENT REVIEW	DG

DESIGNED BY: DCG  
REVIEWED BY: BP  
DATE: 09/01/2022  
PRP: 5477-300-32-01

**Weaver Consultants Group**

OFFICE LOCATION:  
WEAVER CONSULTANTS GROUP  
1314 BOND STREET, SUITE 108  
NAPERVILLE, ILLINOIS 60563  
(630) 717-4848  
wcgrp.com

REUSE OF THIS DOCUMENT AND THE DESIGN INCORPORATED HEREIN, AS AN INSTRUMENT OF PROFESSIONAL SERVICE, IS THE PROPERTY OF WEAVER CONSULTANTS GROUP, AND IS NOT TO BE USED IN WHOLE OR IN PART WITHOUT THE WRITTEN AUTHORIZATION OF WEAVER CONSULTANTS GROUP. COPYRIGHT © 2022 WEAVER CONSULTANTS GROUP. ALL RIGHTS RESERVED.