



**Job Name:**  
Springs at Bolingbrook  
Contractor: C & R Electric, LLC (Shepherd)  
Distributor: Standard Electric - Saginaw (Saginaw)

**Catalog Number:**  
DPM-4-T4-4L-CLB/PT40

**Type:**  
**OD**

Notes:

ELN21-102748

# DPM

## Downlight Pendant-Medium 22" LED Luminaire



### Features

Performance and directional control make this luminaire highly versatile and able to accommodate needs in the strictest environments. Multiple size and shade configurations make this luminaire suitable for a wide variety of decorative applications, especially where a Dark Sky friendly instrument is desirable. This luminaire uses less than 60% of the energy yet achieves greater fixture spacing, improved uniformity vs. Metal Halide. An optional Smartsite wireless lighting controller is available.

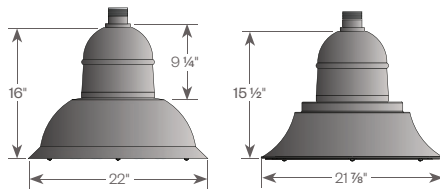
### Product Overview

Wattage: 82W, 126W  
Lumen Output : 9,570 lm (126W, 5000K)  
Color Temp: 3000K, 4000K, 5000K  
Dimming: 0-10V dimming



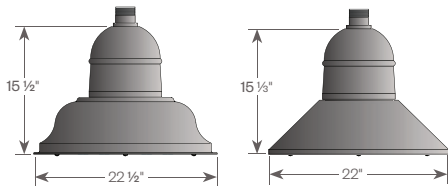
### PROJECT:

### TYPE:



DPM-1  
EPA:1.9

DPM-2  
EPA:1.0



DPM-3  
EPA:1.7

DPM-4  
EPA:1.0

### Installation:

The luminaire will mount to the bracket. Post top luminaire brackets will mount to a 3" OD post or tenon with (6) 5/16" stainless steel set screws. Wall bracket models have four 3/8" holes for mounting (wall mount hardware is not included).

### Construction:

- Cast aluminum housing
- Spun aluminum shade

### Optics:

- High Performance individual optical refractive lens for each LED module.
- Cool, neutral, or warm color temperatures
- IESNA Full Cutoff
- Available in Type 2, 3, 4, or 5 light patterns

### Driver:

Convection cooled driver with electronic constant current operation with over voltage and short circuit protection. Automatic voltage sensing for 120V to 277V input. 0-10V dimming.

### Finish:

Durable thermoset polyester powdercoat finish in the following:

- Satin Black (BLK)
- Classic Bronze (CLB)
- Gloss Textured Bronze (GBZ)
- Green (GRN)
- Gloss Textured Black (GTB)
- Textured Black (TBK)
- Gloss Textured Green (TGR)

### Accessories

- Wireless control option

**ETL listed, suitable for wet locations.**

### Optical Chamber:

Individual IP66 sealed optical modules



**MLS  
EAST****Job Name:**Springs at Bolingbrook  
Contractor: C & R Electric, LLC (Shepherd)  
Distributor: Standard Electric - Saginaw  
(Saginaw)**Catalog Number:**

DPM-4-T4-4L-CLB/PT40

Notes:

**Type:****OD**

ELN21-102748

# DPM

Downlight Pendant-Medium, 22" LED Luminaire

**PROJECT:****TYPE:****Ordering Information****VERIFY PRIOR TO ORDERING****1****2****3****4****5****6****1****Model**

DPM-1

DPM-2

DPM-3

**DPM-4****2****Light Distribution**

T2 - Type 2

T3 - Type 3

**T4 - Type 4**

T5 - Type 5

**3****Performance Code**

3L - 3,000K, 82W

**4L - 4,000K, 82W**

5L - 5,000K, 82W

3H - 3,000K, 126W

4H - 4,000K, 126W

5H - 5,000K, 126W

**4****Finish**

BLK - Satin Black

**CLB - Classic Bronze**

GBZ - Gloss Textured Bronze

GRN - Green

GTB - Gloss Textured Black

TBK - Textured Black

TGR - Gloss Textured Green

CSTM - Custom

**5****Dimming Option**

DM - 0-10V dimming

**6****Options/Accessories****SSINT-1** - Integrated Wireless Control Node  
(for operation on the SmartSite control platform)**Mounting Ordering Information** (see pg 3 for details)**1****2****1****Model****CBR01-1-24-L** - pendant bracket, single arm, 24"

CBR01-1-36-L - pendant bracket, single arm, 36"

CBR40-1-24-L - pendant bracket, single arm, 24"

CBR40-2-24-L - pendant bracket, double arm, 24" ea.

CBR81-1-30-L - pendant bracket, single arm, 30"

CBR81-2-30-L - pendant bracket, double arm, 30" ea.

**PT40 - pendant crook, single arm**

PT41R - pendant crook, single arm

PT42R - pendant crook, double arm

**2****Finish**

BLK - Satin Black

CLB - Classic Bronze

GBZ - Gloss Textured Bronze

GRN - Green

GTB - Gloss Textured Black

TBK - Textured Black

TGR - Gloss Textured Green

CSTM - Custom



**MLS  
EAST**

**Job Name:**

Springs at Bolingbrook  
Contractor: C & R Electric, LLC (Shepherd)  
Distributor: Standard Electric - Saginaw (Saginaw)

**Catalog Number:**  
DPM-4-T4-4L-CLB/PT40

Notes:

**Type:**

**OD**

ELN21-102748

# DPM

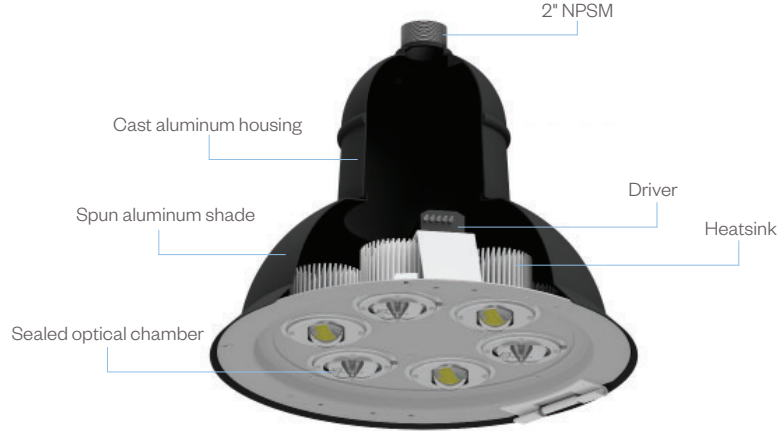
Downlight Pendant-Medium, 22" LED Luminaire



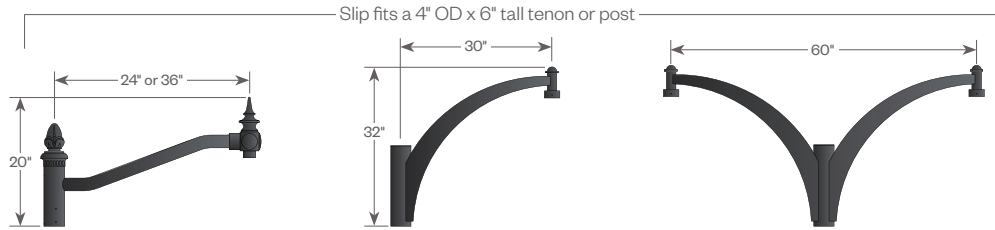
**PROJECT:**

**TYPE:**

**Assembly Details**



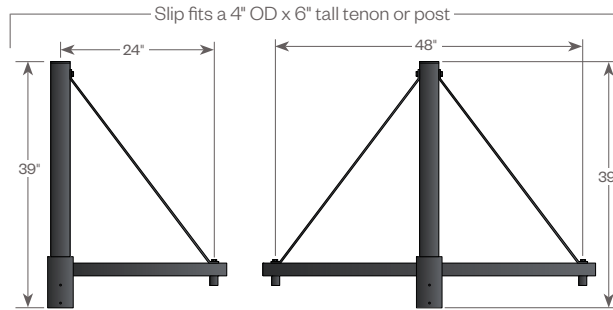
**Mounting Options**



**CBR01-1-24-L or CBR01-1-36-L**

**CBR81-1-30-L**

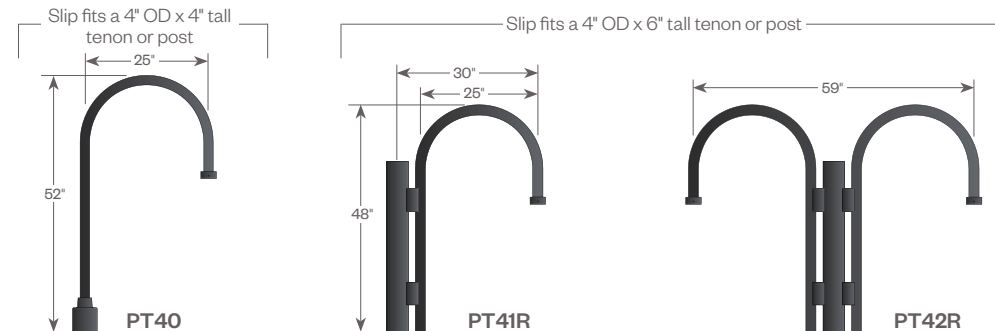
**CBR81-2-30-L**



**CBR40-1-24-L**

**CBR40-2-24-L**

	<b>EPA</b>
CBR01-1-36	0.84
CBR40-1-24	1.02
CBR40-2-24	1.34
PT40	0.9
PT41R	1.65
PT42R	2.66



**PT40**

**PT41R**

**PT42R**



**Job Name:**  
 Springs at Bolingbrook  
 Contractor: C & R Electric, LLC (Shepherd)  
 Distributor: Standard Electric - Saginaw (Saginaw)

**Catalog Number:**  
 DPM-4-T4-4L-CLB/PT40

Notes:

**Type:**  
 OD

ELN21-102748

# DPM

Downlight Pendant-Medium, 22" LED Luminaire



**PROJECT:**

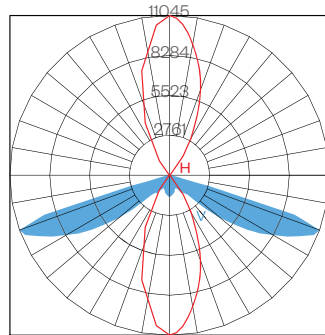
**TYPE:**

## Performance Chart

Performance Code	CCT	CRI	Approx. Lumens Delivered	Nominal Input Power
3L	3,000K	80	5,860	82W (4 LED)
4L	4,000K	80	6,070	
5L	5,000K	70	6,280	
3H	3,000K	80	8,980	126W (6 LED)
4H	4,000K	80	9,260	
5H	5,000K	70	9,570	

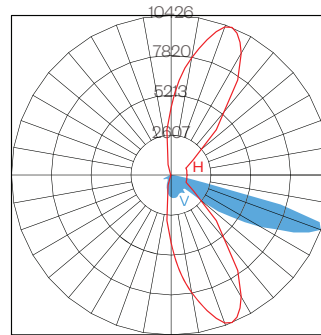
## Typical Photometry

**DPM-X-T2-3H**



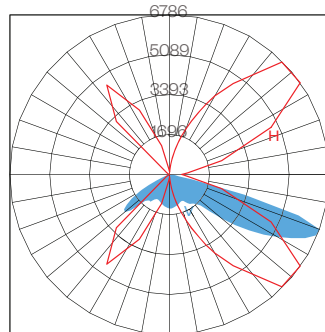
Maximum Candela = 11045  
 Located At Horizontal Angle = 90; Vertical Angle = 70  
 H - Horizontal Axial Candela; V - Vertical Axial Candela

**DPM-X-T3-3H**



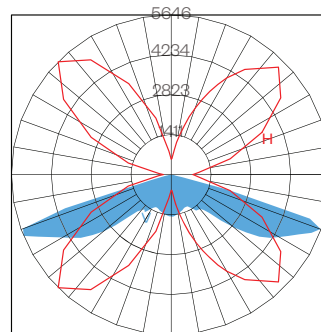
Maximum Candela = 10426  
 Located At Horizontal Angle = 67.5; Vertical Angle = 70  
 H - Horizontal Axial Candela; V - Vertical Axial Candela

**DPM-X-T4-3H**



Maximum Candela = 6786  
 Located At Horizontal Angle = 35; Vertical Angle = 70  
 H - Horizontal Axial Candela; V - Vertical Axial Candela

**DPM-X-T5-3H**



Maximum Candela = 5646  
 Located At Horizontal Angle = 135; Vertical Angle = 67.5  
 H - Horizontal Axial Candela; V - Vertical Axial Candela



**Job Name:**  
Springs at Bolingbrook  
Contractor: C & R Electric, LLC (Shepherd)  
Distributor: Standard Electric - Saginaw (Saginaw)

**Catalog Number:**  
OSQM-B-11L-40K7-3M-UL-NM-BZ-R/  
OSQ-ML-B-DABZ  
Notes:

**Type:**  
**OB2**  
ELN21-102748

# OSQ Series

OSQ™ LED Area/Flood Luminaire featuring Cree TrueWhite® Technology – Medium & Large

Rev. Date: V4 04/14/2021

## Product Description

The OSQ™ Area/Flood luminaire blends extreme optical control, advanced thermal management and modern, clean aesthetics. Built to last, the housing is rugged cast aluminum with an integral, weathertight LED driver compartment. Versatile mounting configurations offer simple installation. Its slim, low-profile design minimizes wind load requirements and blends seamlessly into the site providing even, quality illumination. The 6L lumen package is a suitable upgrade for HID applications up to 250 Watt, and the 11L lumen package is a suitable upgrade for HID applications up to 400 Watt. The 22L lumen package is a suitable upgrade for HID applications up to 750 Watts, and the 30L lumen package is a suitable upgrade for HID applications up to 1000 Watts.

**Applications:** Parking lots, walkways, campuses, car dealerships, office complexes, tunnels, underpasses, and internal roadways

## Performance Summary

Utilizes Cree TrueWhite® Technology on 5000K Luminaires

NanoOptic® Precision Delivery Grid™ optic

Assembled in the U.S.A. of U.S. and imported parts

**Initial Delivered Lumens:** 4,000 - 30,000

**Efficacy:** Up to 173 LPW

**CRI:** Minimum 70 CRI (3000K, 4000K & 5700K); 90 CRI (5000K)

**CCT:** 3000K, 4000K, 5000K, 5700K

**Limited Warranty:** 10 years on luminaire; 10 years on Colorfast DeltaGuard® finish; up to 5 years for Synapse® accessories; 1 year on luminaire accessories

\* See <http://creelighting.com/warranty> for warranty terms. For Synapse accessories, consult Synapse spec sheets for details on warranty terms.

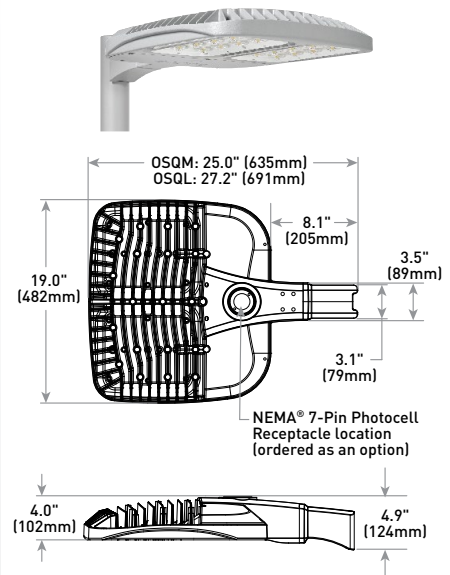
## Ordering Information

Fully assembled luminaire is composed of two components that must be ordered separately:  
Example: **Mount:** OSQ-ML-B-AA-BK + **Luminaire:** OSQM-B-4L-30K7-2M-UL-NM-BK

Mount (Luminaire must be ordered separately)*		Color Options:
<b>OSQ-</b>		SV Silver <b>BZ Bronze</b> BK Black <b>WH White</b>
<b>OSQ-ML-B-AA</b> Adjustable Arm		
<b>OSQ-ML-B-DA</b> Direct Arm		
<b>OSQ-ML-B-TSP</b> Transportation Mount (stainless steel; do not specify color)		
<b>OSQ-ML-B-TM</b> Trunnion Mount		

\* Reference EPA and pole configuration suitability data beginning on page 10

## OSQ-ML-B-DA and UC Mounts



Luminaire	Weight
OSQM	28.9 lbs. (13.1kg)
OSQL	32.4 lbs. (14.7kg)

Note: Refer to page 11 for fixture mounting drill pattern. For additional mounts, refer to drawings beginning on page 19

Luminaire (Mount must be ordered separately)																				
OSQ	B	Family	Size	Series	Lumen Package	CCT/CRI	Optic	Voltage	Mount	Color Options	Controls**	Options								
OSQ	M Medium L Large	B	Medium	30K7	3000K, 4,000 Lumens	70 CRI	Asymmetric 2M* Type II Medium	UL Universal 120-277V	NM No Mount - Must specify mount from table above - Mount ships separately	BK Black BZ Bronze SV Silver WH White	PML Programmable Multi-Level, up to 40' Mounting Height - Refer to PML spec sheet for details - Intended for downlight applications at 0° tilt PML2 Programmable Multi-Level, 10-30' Mounting Height - Refer to PML spec sheet for details - Intended for downlight applications at 0° tilt 09/08/07/06/05/04/03/02/01 Field Adjustable Output - Must select 09, 08, 07, 06, 05, 04, 03, 02, or 01 - Offers full range adjustability - Refer to pages 12-18 for power and lumen values - Not available with PML or PML2 options X8/X7/X6/X5/X4/X3/X2/X1 Locked Lumen Output - Must select add X8, X7, X6, X5, X4, X3, X2, or X1 - Not available with 22L or 30L lumen packages - Not available with PML or PML2 options - Lumen output is permanently locked to the setting selected - Refer to pages 12-18 for power and lumen values	F Fuse - Compatible with 120V, 277V or 347V (phase to neutral) - Consult factory if fusing is required for 208V, 240V or 480V (phase to phase) - Refer to PML spec sheet for availability with PML options - When code dictates fusing, use time delay fuse N Utility Label and NEMA® 7-Pin Photocell Receptacle - Included with UA, UB, UC and UD mounts - External wattage label per ANSI C136.15 - 7-pin receptacle per ANSI C136.41 - Intended for downlight applications with maximum 45° tilt - Factory connected 0-10V dim leads - 7-conductor (NM mount), 3-conductor (UA/UB mounts), or 5-conductor (UC/UD mounts) cord exits luminaire - Requires photocell or shorting cap by others R NEMA® 7-Pin Photocell Receptacle - 7-pin receptacle per ANSI C136.41 - Intended for downlight applications with maximum 45° tilt - Factory connected 0-10V dim leads - 18" (457mm) seven-conductor cord exits luminaire - Requires photocell or shorting cap by others RL Rotate Left - LED and optic are rotated to the left - Refer to RR/RL configuration diagram on page 19 for optic directionality - Not for use with symmetric optics RR Rotate Right - LED and optic are rotated to the right - Refer to RR/RL configuration diagram on page 19 for optic directionality - Not for use with symmetric optics								
													4L	4000K, 6,000 Lumens	3M* Type III Medium	UH Universal 347-480V	UA 45" Utility Arm w/8' 14/3 AWG Cord Side Exit - Includes N option	UB 45" Utility Arm w/8' 14/3 AWG Cord End Exit - Includes N option	UC Direct Arm Mount - Standard 2" (51mm) bolt spacing - Shipped separately - Field-installed - Includes N option	UD Trunnion Mount - Adjustable from 0-45° in 15° increments - Includes N option
													6L	4000K, 70 CRI	4M* Type IV Medium	available with 4L or 6L lumen packages				
													9L	5000K, 9,000 Lumens	Symmetric 5M Type V Medium					
													11L	5700K, 11,000 Lumens	5N Type V Narrow					
													16L	5700K, 16,000 Lumens	5Q Type V Square					
													22L	5700K, 22,000 Lumens	N3 Narrow Flood					
													44	5700K, 44,000 Lumens	NEMA® 3x3					
													55	5700K, 55,000 Lumens	NEMA® 4x4					
													66	5700K, 66,000 Lumens	NEMA® 5x5					
													75	5700K, 75,000 Lumens	NEMA® 6x6					

**VERIFY PRIOR TO ORDERING**

\* Available with Backlight Shield when ordered with field-installed accessory (see table above)  
\*\* Luminaire comes standard with 0-10V dimming

