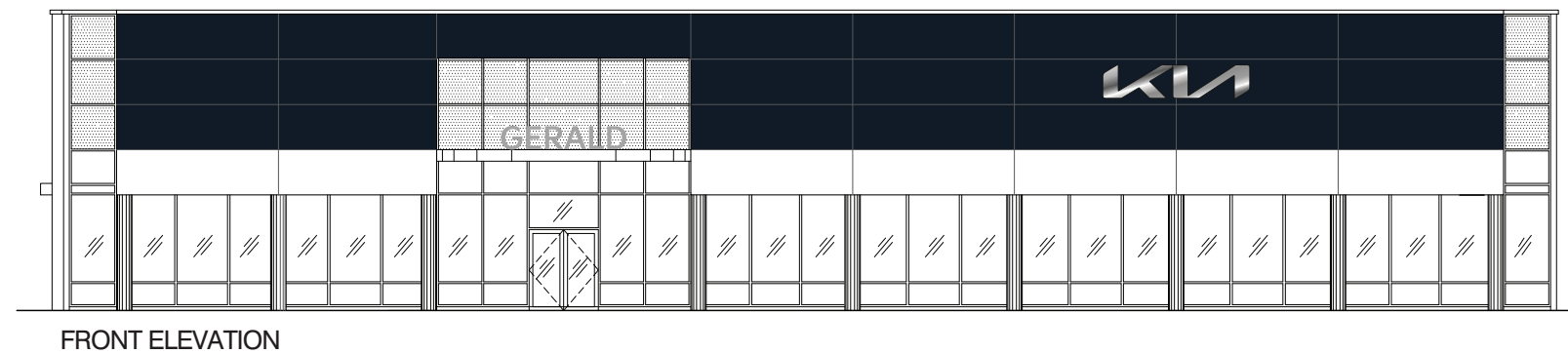




# KIA Dealer Identity Program



FRONT ELEVATION

## IL054 - Gerald Kia of Naperville

1661 Aurora Avenue, Naperville, IL 60540

### Missing Information

Required:

### Electrical

120V  347V  
 Other \_\_\_\_\_

### Customer Approval

Signature \_\_\_\_\_

MM/DD/YYYY \_\_\_\_\_

It is the Customer's responsibility to ensure that the structure of the building is designed and constructed to accept the installation of the signs being ordered. Please ask PSG to provide further details if required.

All rights reserved. The artwork depicted herein are copyright and are the exclusive property of Pattison Sign Group and as such cannot be reproduced in whole or in part without written permission by Pattison Sign Group.

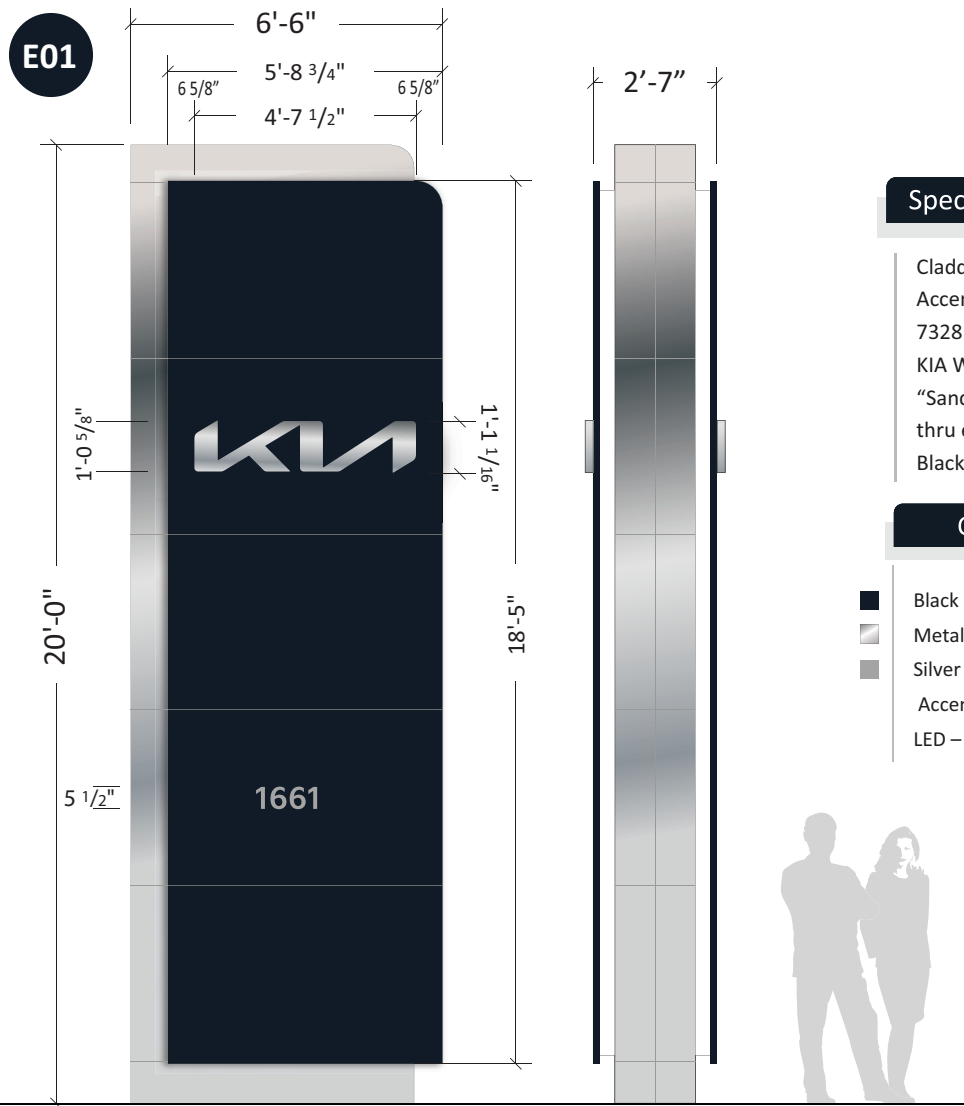
IL054  
Gerald Kia of Naperville  
1661 Aurora Ave  
Naperville, IL 60540

Sign Item

Cover Page

Any non-compliant Kia logo (i.e., window vinyl, doors/entry vinyl, parking signs, directional signs, multi-tenant signs, reader board graphics, etc.) not represented in this proposal must be updated by the Dealer to the current compliant Kia logo or must be removed.

# KUSPS20



**Logo: 5 Sq. Ft.**  
**Total: 130 Sq. Ft.**

**NOTE:**  
 Will attempt to reuse existing foundation.  
 Dealer to provide electrical prior to installation.

### Specifications

- Cladding – 4MM KIA Black and Metallic Silver ACM
- Accent Lighting – 7100K LED illumination with 7328 White Polycarbonate Lens
- KIA Wordmark – Milled Aluminum and Plastic
- “Sandwich” Design with 7100K LED illumination thru edge of filler
- Black edge always toward street >

### Colors

- Black KIA ACM – TBD
- Metallic Silver KIA ACM – Alfrex Exotic Mica
- Silver Reflective Vinyl
- Accent Lighting Lens – 7328 White
- LED – 7100K White Illumination

### TO BE REMOVED



**Existing KPSN20 Pylon**  
**NOTE: PSG to remove & scrap existing pylon.**

**Project ID**  
**JH2-44361-R2**

Date: 03-28-2022  
 Scale: As noted  
 Sales: E. Mackle  
 Designer: D. Reyes

**Rev. #: R2**  
**Date: 05-24-2022**

Revision Note:  
 R2: Add the number portion of the address to the pylon “1661” (silver reflective vinyl).

### Missing Information

Required:

**Electrical**

120V     347V

Other \_\_\_\_\_

### Customer Approval

Signature \_\_\_\_\_

MM/DD/YYYY \_\_\_\_\_

It is the Customer’s responsibility to ensure that the structure of the building is designed and constructed to accept the installation of the signs being ordered. Please ask PSG to provide further details if required.

All rights reserved. The artwork depicted herein are copyright and are the exclusive property of Pattison Sign Group and as such cannot be reproduced in whole or in part without written permission by Pattison Sign Group.

Note: Size of signage in relation to the surrounding area is approximate. This photo mock-up is intended for location purposes only. A site survey is required.

Any non-compliant Kia logo (i.e., window vinyl, doors/entry vinyl, parking signs, directional signs, multi-tenant signs, reader board graphics, etc.) not represented in this proposal must be updated by the Dealer to the current compliant Kia logo or must be removed.

Missing Information

Required:

Electrical

120V  347V  
 Other \_\_\_\_\_

Customer Approval

Signature \_\_\_\_\_  
MM/DD/YYYY \_\_\_\_\_

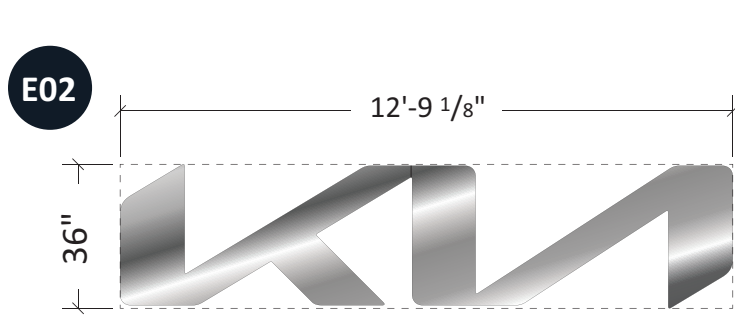
It is the Customer's responsibility to ensure that the structure of the building is designed and constructed to accept the installation of the signs being ordered. Please ask PSG to provide further details if required.

All rights reserved. The artwork depicted herein are copyright and are the exclusive property of Pattison Sign Group and as such cannot be reproduced in whole or in part without written permission by Pattison Sign Group.

IL054  
Gerald Kia of Naperville  
1661 Aurora Ave  
Naperville, IL 60540

Sign Item

E02, E03



KUSWL36

Scale: 1/4"=1'  
38.28 SF.

Specifications

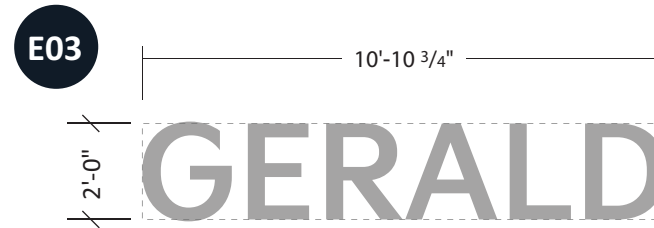
- Faces – Fabricated Aluminum painted KIA Metallic Silver
- Returns – 2" Deep Fabricated Aluminum painted KIA Metallic Silver
- Stand-off Pedestal - Spacers = 1-1/4" Long Fabricated Aluminum painted KIA Metallic Silver
- Clear Edge Light Band - .220" Clear Acrylic mounted over .177 Clear Polycarbonate on back of cans for light transmission.
- Illumination – 7100K LED, Power Supplies are remote mounted

Colors

- All Aluminum is painted KIA Silver Metallic
- Edge Light Bank – Clear Acrylic
- LED – 7100K White illumination



Side View  
NTS



KUSGALDNL24 21.79 Sq. Ft.

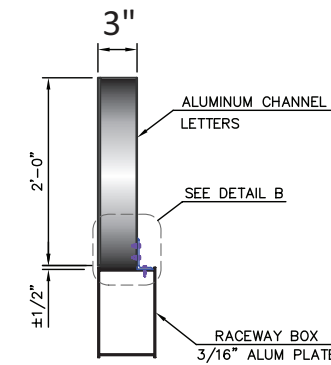
Font: Kia Signature Bold

Specifications

- KIA Font Dealer and Secondary Lettersets
- Faces – KIA Metallic Silver Perforated Vinyl with Clear Overlamine applied to .177" 2447 White Acrylic
- Face Retainer – 1" Metallic Silver Jewelite
- Returns - .040 Anodized Aluminum 3" Deep
- Illumination – 7100K LED, Power Supplies are remote mounted
- Gallery finished letters

Colors

- Faces – KIA Metallic Silver
- Returns – Anodized Aluminum
- Trimcap – PSG Standard Metallic Silver
- LED – 7100K White Illumination



(24" TALL LETTER OPTION)  
SECTION A-A

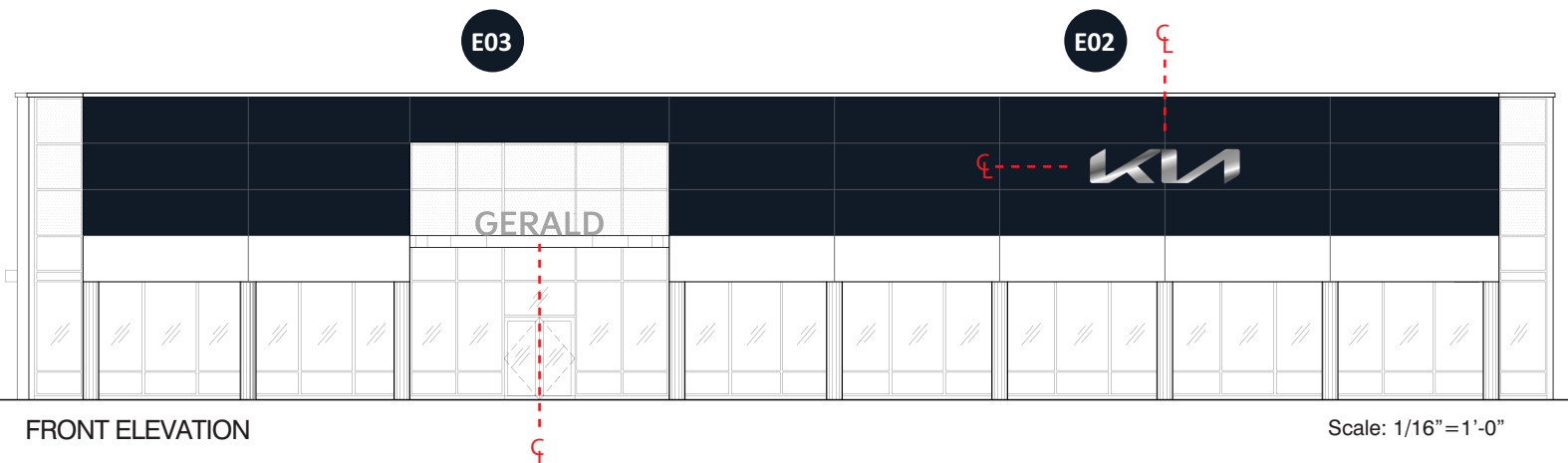
Side View  
NTS

NOTE: Dealer to provide electrical prior to installation.

TO BE REMOVED



NOTE: PSG to remove & scrap existing signs.



Note: Size of signage in relation to the surrounding area is approximate. This photo mock-up is intended for location purposes only. A site survey is required.

Any non-compliant Kia logo (i.e., window vinyl, doors/entry vinyl, parking signs, directional signs, multi-tenant signs, reader board graphics, etc.) not represented in this proposal must be updated by the Dealer to the current compliant Kia logo or must be removed.

**Missing Information**

Required:

**Electrical**

120V     347V  
 Other \_\_\_\_\_

**Customer Approval**

Signature \_\_\_\_\_  
 MM/DD/YYYY \_\_\_\_\_

It is the Customer's responsibility to ensure that the structure of the building is designed and constructed to accept the installation of the signs being ordered. Please ask PSG to provide further details if required.

All rights reserved. The artwork depicted herein are copyright and are the exclusive property of Pattison Sign Group and as such cannot be reproduced in whole or in part without written permission by Pattison Sign Group.

IL054  
 Gerald Kia of Naperville  
 1661 Aurora Ave  
 Naperville, IL 60540

**Sign Item**  
 E04, E05, E06

**E04**

**KUSWL36**  
 Scale: 1/4"=1'  
**38.28 SF.**

**Specifications**

- Faces – Fabricated Aluminum painted KIA Metallic Silver
- Returns – 2" Deep Fabricated Aluminum painted KIA Metallic Silver
- Stand-off Pedestal - Spacers = 1-1/4" Long Fabricated Aluminum painted KIA Metallic Silver
- Clear Edge Light Band - .220" Clear Acrylic mounted over .177 Clear Polycarbonate on back of cans for light transmission.
- Illumination – 7100K LED, Power Supplies are remote mounted

**Colors**

- All Aluminum is painted KIA Silver Metallic
- Edge Light Bank – Clear Acrylic
- LED – 7100K White illumination

**Side View**  
 NTS

**E05**

**KUSDNL24**  
 Scale: 1/4"=1'-0"  
**21.79 Sq. Ft.**

Font: Kia Signature Bold

**Specifications**

- KIA Font Dealer and Secondary Lettersets
- Faces – KIA Metallic Silver Perforated Vinyl with Clear Overlamine applied to .177" 2447 White Acrylic
- Face Retainer – 1" Metallic Silver Jewelite
- Returns - .040 Anodized Aluminum 3" Deep
- Illumination – 7100K LED, Power Supplies are remote mounted

**Colors**

- Faces – KIA Metallic Silver
- Returns – Anodized Aluminum
- Trimcap – PSG Standard Metallic Silver
- LED – 7100K White Illumination

**Side View**  
 NTS

**E06**

**KUSSVC24**  
 Scale: 1/4"=1'-0"  
**21.98 Sq. Ft.**

Font: Kia Signature Bold

**Specifications**

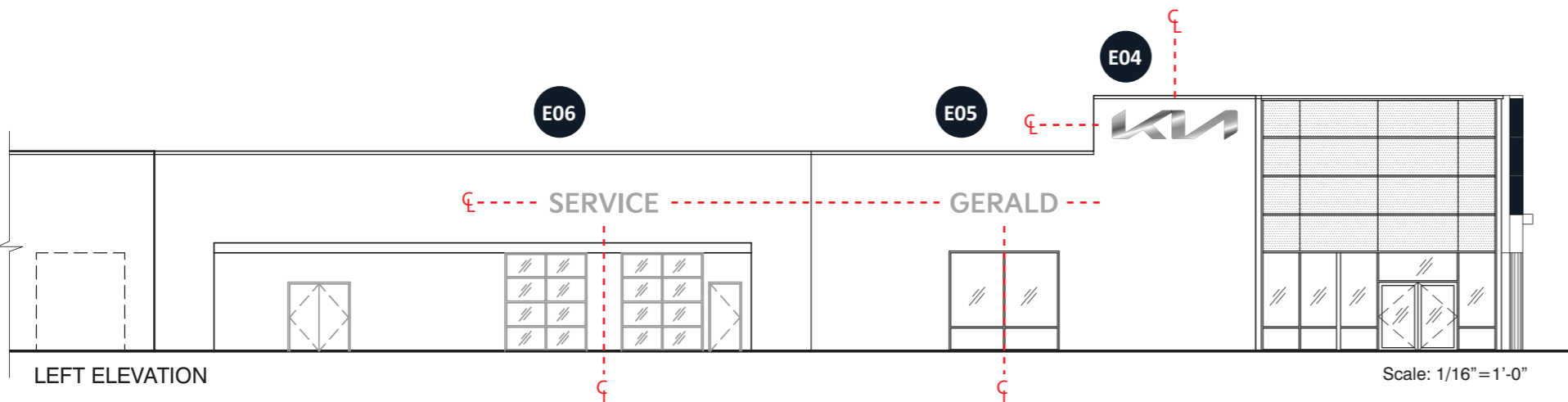
- KIA Font Dealer and Secondary Lettersets
- Faces – KIA Metallic Silver Perforated Vinyl with Clear Overlamine applied to .177" 2447 White Acrylic
- Face Retainer – 1" Metallic Silver Jewelite
- Returns - .040 Anodized Aluminum 3" Deep
- Illumination – 7100K LED, Power Supplies are remote mounted

**Colors**

- Faces – KIA Metallic Silver
- Returns – Anodized Aluminum
- Trimcap – PSG Standard Metallic Silver
- LED – 7100K White Illumination

**Side View**  
 NTS

NOTE: Dealer to provide electrical prior to installation.



**TO BE REMOVED**



NOTE: PSG to remove & scrap existing signs.

Note: Size of signage in relation to the surrounding area is approximate. This photo mock-up is intended for location purposes only. A site survey is required.

Any non-compliant Kia logo (i.e., window vinyl, doors/entry vinyl, parking signs, directional signs, reader board graphics, etc.) not represented in this proposal must be updated by the Dealer to the current compliant Kia logo or must be removed.

**Project ID**

JH2-44361

Date: 03-28-2022  
 Scale: As noted  
 Sales: E. Mackle  
 Designer: D. Reyes

**Rev. #:**  
**Date:**

Revision Note:

**Missing Information**

Required:

**Electrical**

120V  347V  
 Other \_\_\_\_\_

**Customer Approval**

Signature \_\_\_\_\_

MM/DD/YYYY \_\_\_\_\_

It is the Customer's responsibility to ensure that the structure of the building is designed and constructed to accept the installation of the signs being ordered. Please ask PSG to provide further details if required.

All rights reserved. The artwork depicted herein are copyright and are the exclusive property of Pattison Sign Group and as such cannot be reproduced in whole or in part without written permission by Pattison Sign Group.

IL054  
 Gerald Kia of Naperville  
 1661 Aurora Ave  
 Naperville, IL 60540

**Sign Item**

E07, E08

**E07**

**KUSWL36**

Scale: 1/4"=1'  
**38.28 SF.**

**Specifications**

- Faces – Fabricated Aluminum painted KIA Metallic Silver
- Returns – 2" Deep Fabricated Aluminum painted KIA Metallic Silver
- Stand-off Pedestal - Spacers = 1-1/4" Long Fabricated Aluminum painted KIA Metallic Silver
- Clear Edge Light Band - .220" Clear Acrylic mounted over .177 Clear Polycarbonate on back of cans for light transmission.
- Illumination – 7100K LED, Power Supplies are remote mounted

**Colors**

- All Aluminum is painted KIA Silver Metallic
- Edge Light Bank – Clear Acrylic
- LED – 7100K White illumination

**Side View**  
NTS

**E08**

**KUSDNL24**

Font: Kia Signature Bold

**Specifications**

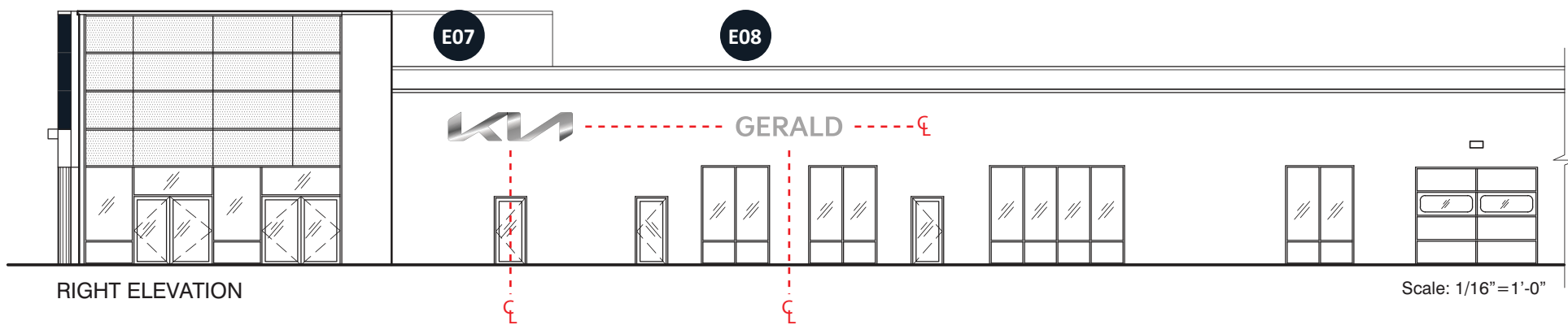
- KIA Font Dealer and Secondary Lettersets
- Faces – KIA Metallic Silver Perforated Vinyl with Clear Overlamine applied to .177" 2447 White Acrylic
- Face Retainer – 1" Metallic Silver Jewelite
- Returns - .040 Anodized Aluminum 3" Deep
- Illumination – 7100K LED, Power Supplies are remote mounted

**Colors**

- Faces – KIA Metallic Silver
- Returns – Anodized Aluminum
- Trimcap – PSG Standard Metallic Silver
- LED – 7100K White Illumination

**Side View**  
NTS

NOTE: Dealer to provide electrical prior to installation.



**TO BE REMOVED**



NOTE: PSG to remove & scrap existing signs.

Note: Size of signage in relation to the surrounding area is approximate. This photo mock-up is intended for location purposes only. A site survey is required.

Any non-compliant Kia logo (i.e., window vinyl, doors/entry vinyl, parking signs, directional signs, multi-tenant signs, reader board graphics, etc.) not represented in this proposal must be updated by the Dealer to the current compliant Kia logo or must be removed.

Project ID

JH2-44361-R3

Date: 03-28-2022  
Scale: NTS  
Sales: E. Mackle  
Designer: D. Reyes

Rev. #: R3  
Date: 09-09-2022

Revision Note:

R1: Update E02 & E03 marker on site plan

R3: E01-Add the setback from forward facing edge of the pylon to the property line.

Missing Information

Required:

Electrical

120V  347V  
 Other \_\_\_\_\_

Customer Approval

Signature \_\_\_\_\_

MM/DD/YYYY \_\_\_\_\_

It is the Customer's responsibility to ensure that the structure of the building is designed and constructed to accept the installation of the signs being ordered. Please ask PSG to provide further details if required.

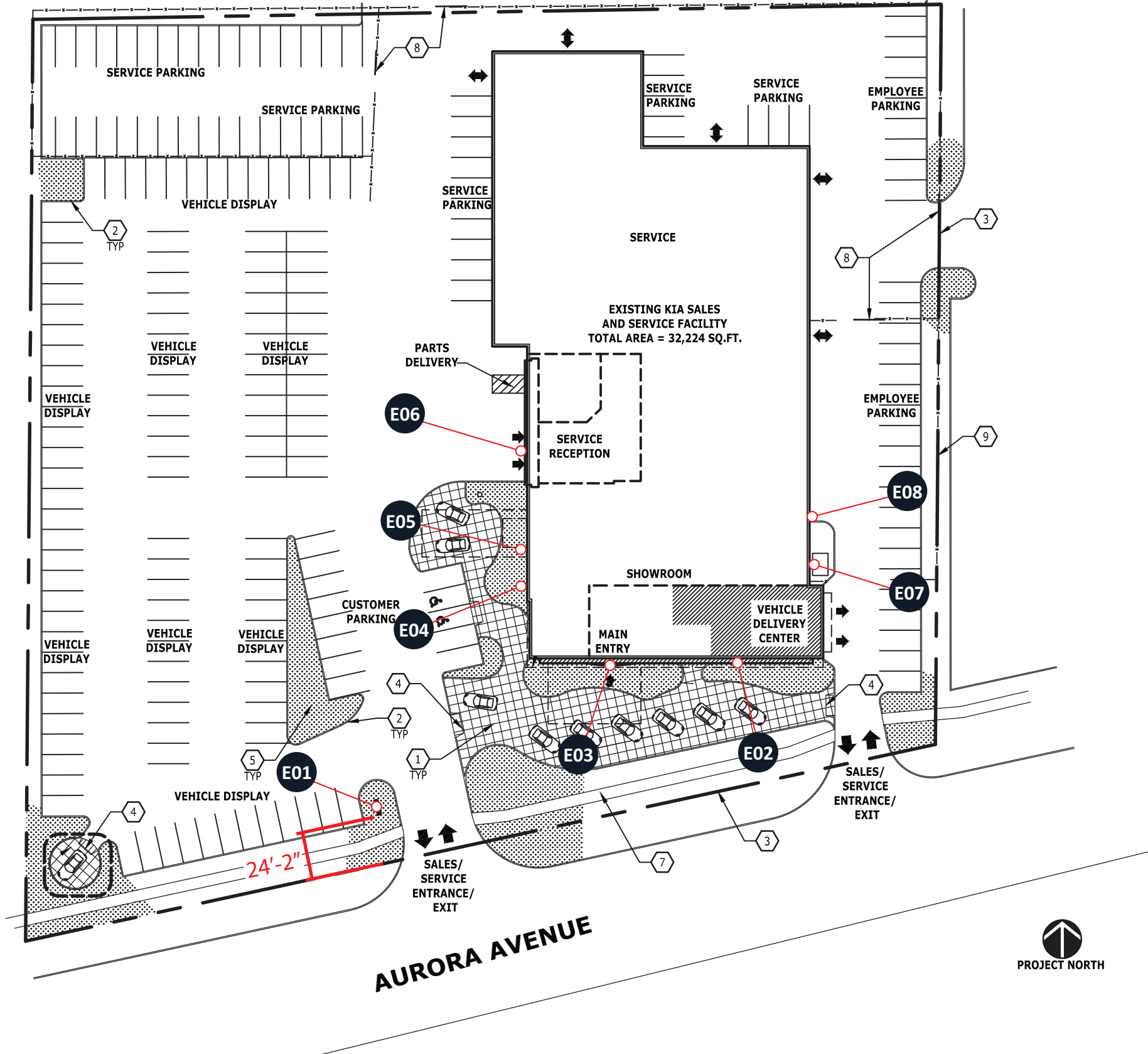
All rights reserved. The artwork depicted herein are copyright and are the exclusive property of Pattison Sign Group and as such cannot be reproduced in whole or in part without written permission by Pattison Sign Group.

IL054  
Gerald Kia of Naperville  
1661 Aurora Ave  
Naperville, IL 60540

Sign Item

Site Plan

- E01** KUSPS20 Pylon Sign
- E02** KUSWL36 Wall Sign
- E03** KUSGALDNL24 Dealer Name Letters
- E04** KUSWL36 Wall Sign
- E05** KUSDNL24 Dealer Name Letters
- E06** KUSSVC24 Service Letters
- E07** KUSWL36 Wall Sign
- E08** KUSDNL24 Dealer Name Letters



Note: Size of signage in relation to the surrounding area is approximate. This photo mock-up is intended for location purposes only. A site survey is required.

Any non-compliant Kia logo (i.e., window vinyl, doors/entry vinyl, parking signs, directional signs, multi-tenant signs, reader board graphics, etc.) not represented in this proposal must be updated by the Dealer to the current compliant Kia logo or must be removed.



520 W Summit Hill, Suite 702, Knoxville TN, 37902  
(Toll Free) 1.866.635.1110 (Fax) 1.888.694.1106  
www.pattisonsign.com

This sign to be installed in accordance with the requirements of Article 600 of the National Electrical Code and/or other applicable local codes. This includes proper grounding and bonding of the sign.

Fluorescent, Neon and HID lamps contain Mercury (HG). Dispose of the lamps according to Local, Provincial, State or Federal Laws.