

**FRONT ELEVATION (south)**  
 SCALE: 1/4" = 1'-0"

DATUM POINT LEFT (WEST)	683.8
DATUM POINT RIGHT (EAST)	683.0
AVERAGE DATUM POINT	683.4

DATE JAN. 19, 2023  
 JOBNO

REVNO	REVISIONS	REVDATE
1	SECUR. SUBMITAL	1/19/2023
2		
3		
4		

REVNO	REVISIONS	REVDATE
1	SECOND SUBMITTAL	1/28 2023
2		
3		
4		



**REAR ELEVATION (north)**  
 SCALE: 1/4" = 1'-0"



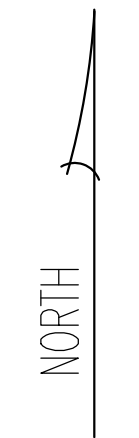
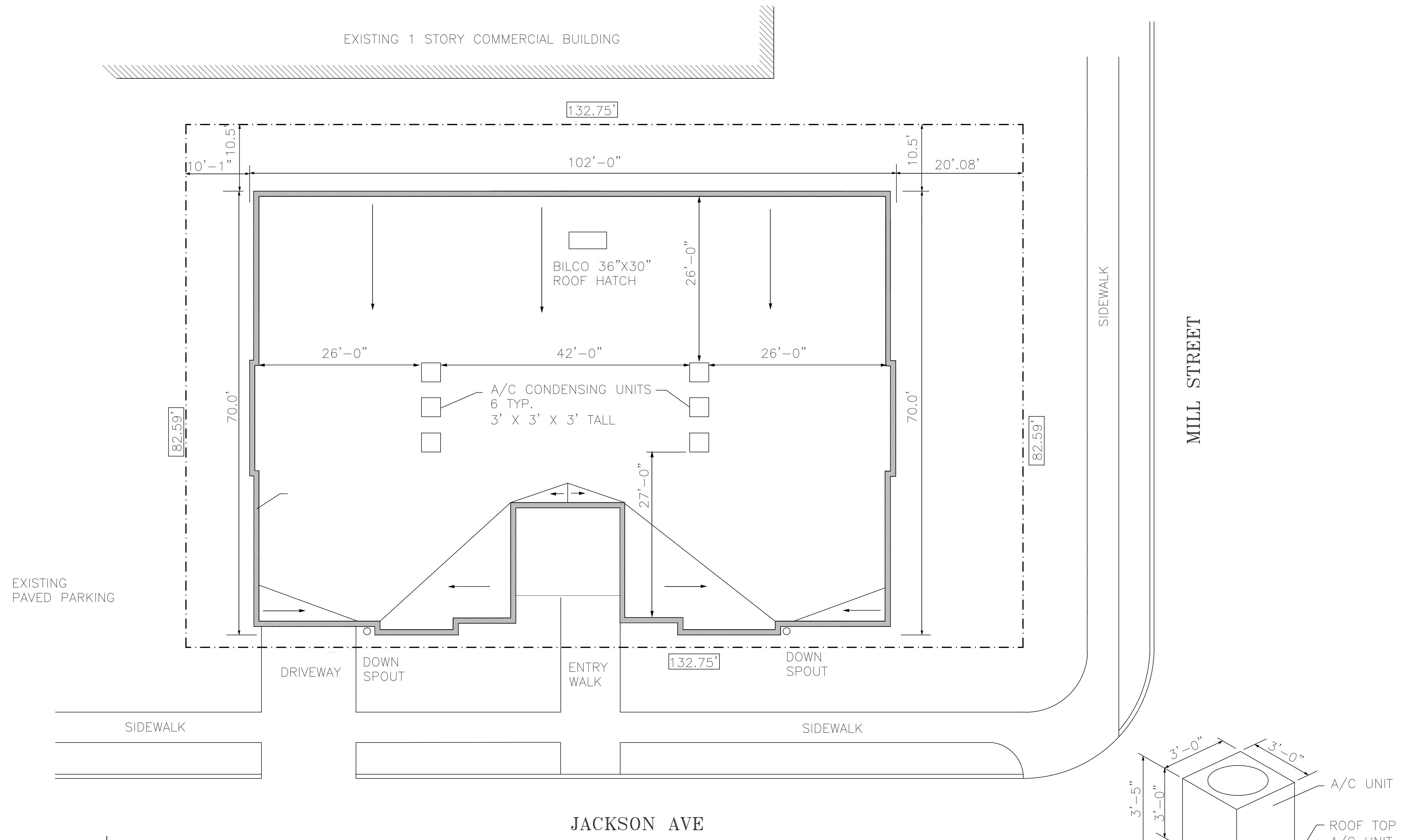
**LEFT SIDE ELEVATION (west)**  
 SCALE: 1/4" = 1'-0"

REVNO	REVISIONS	REDATE
1	SECOND SUBMITTAL	1/19/2023
2		
3		
4		



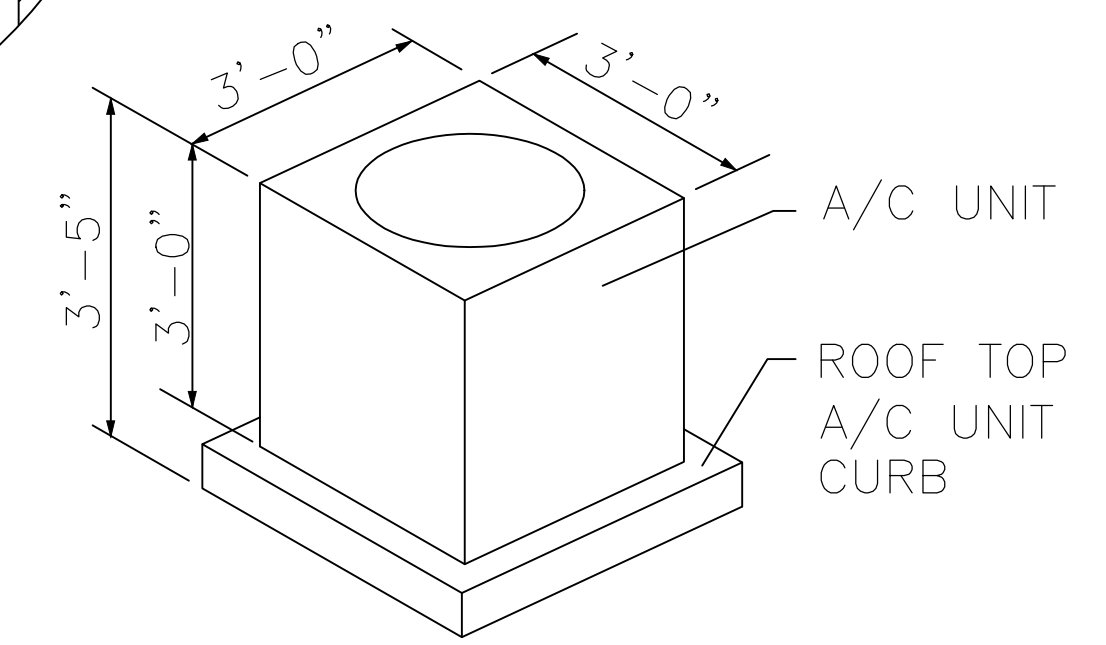
**RIGHT SIDE ELEVATION (east)**  
 SCALE: 1/4" = 1'-0"

REVNO	REVISIONS	REVDATE
1	SECOND SUBMITTAL	1/19/2023
2		
3		
4		



# PROPOSED ROOF PLAN

SCALE: 1/8" = 1'-0"



ROOF TOP A/C CONDENSER

DATE: JAN. 19, 2023  
 JOBNO:

REVISION	REVISIONS	REDATE
1	SECOND SUBMITTAL	1/26/2023
2		
3		
4		