

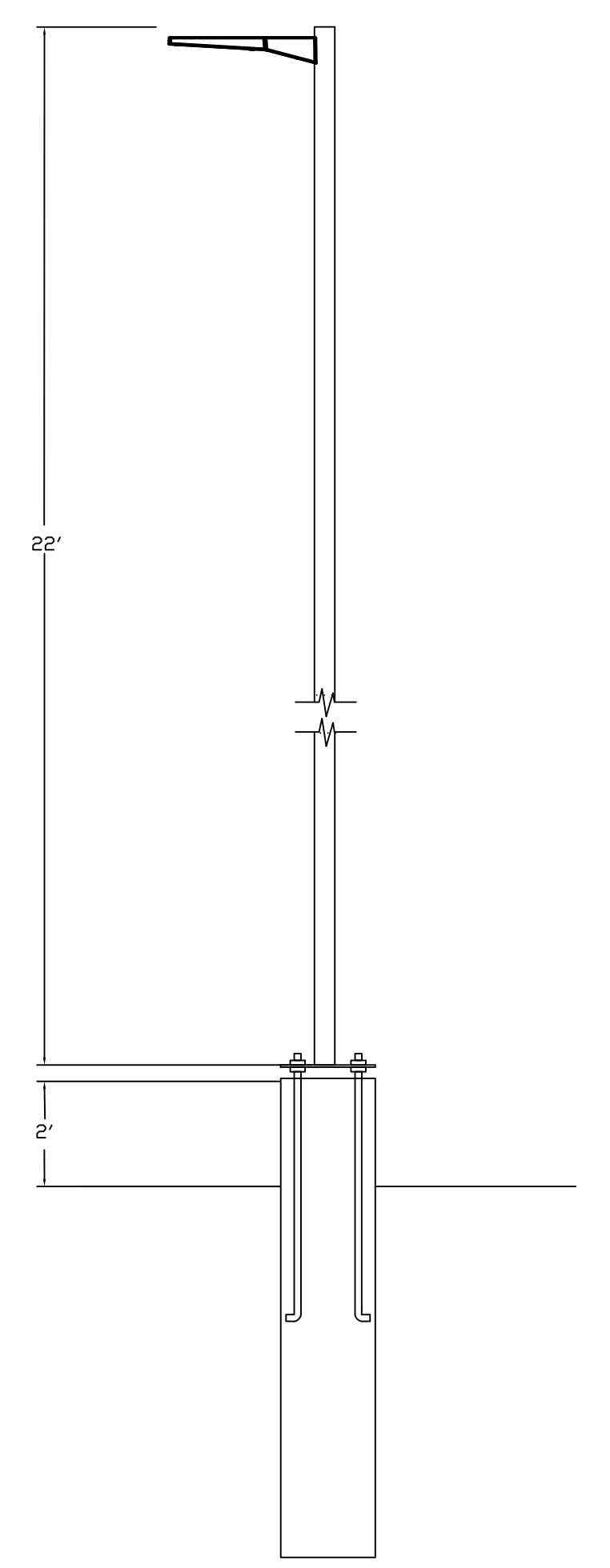
SCV



SLM



XPWS3



Luminaire Schedule										
Symbol	Qty	Label	Arrangement	Description	LLD	UDF	LLF	Arr. Lum. Lumens	Arr. Watts	
	47	A	SINGLE	SCV-P-LED-23L-SC-50 MTD @ 8' VACUUM	1.000	1.000	0.800	23150	152.5	
	2	B	SINGLE	XPWS3-FT-LED-48-450-CW-UE MTD @ 10'	1.000	1.000	0.800	6159	72	
	2	C	SINGLE	SLM-LED-36L-SIL-FT-50-70CRI-SINGLE-22'POLE+2'BASE	1.000	1.000	0.800	37815	317.8	
	3	E	SINGLE	SLM-LED-36L-SIL-3-50-70CRI-SINGLE-22'POLE+2'BASE	1.000	1.000	0.800	38857	317.8	
	4	F	SINGLE	SLM-LED-36L-SIL-FT-50-70CRI-IL-SINGLE-22'POLE+2BASE	1.000	1.000	0.800	23760	317.8	
	6	G	SINGLE	SCV-LED-13L-SC-50 MTD @ 10' PAY CANOPY	1.000	1.000	0.800	12933	84.3	
	4	H	SINGLE	SLM-LED-30L-SIL-FT-50-70CRI-IL-SINGLE-22'POLE+2'BASE	1.000	1.000	0.800	19943	248.6	
	4	J	SINGLE	XPWS3-WT-LED-28-350-CW-UE MTD @ 8'	1.000	1.000	0.800	2978	34	
	5	L	SINGLE	SLM-LED-12L-SIL-FT-50-70CRI-IL-SINGLE-22'POLE+2'BASE DIMMED 40%	1.000	1.000	0.600	8398	93.1	

Calculation Summary							
Label	CalcType	Units	Avg	Max	Min	Avg/Min	Max/Min
ALL CALC POINTS	Illuminance	Fc	5.62	127.7	0.0	N.A.	N.A.
PAY CANOPY	Illuminance	Fc	50.41	62.0	29.9	1.69	2.07
INSIDE CURB	Illuminance	Fc	8.16	36.0	0.8	10.20	45.00
VACUUM CANOPY	Illuminance	Fc	74.59	127.7	14.6	5.11	8.75

Based on the information provided, all dimensions and luminaire locations shown represent recommended positions. The engineer and/or architect must determine the applicability of the layout to existing or future field conditions.

This lighting plan represents illumination levels calculated from laboratory data taken under controlled conditions in accordance with the Illuminating Engineering Society (IES) approved methods. Actual performance of any manufacturer's luminaires may vary due to changes in electrical voltage, tolerance in lamps/LED's and other variable field conditions. Calculations do not include obstructions such as buildings, curbs, landscaping, or any other architectural elements unless noted. Fixture nomenclature noted does not include mounting hardware or poles. This drawing is for photometric evaluation purposes only and should not be used as a construction document or as a final document for ordering product.

Total Project Watts  
Total Watts = 12273.39



LIGHTING PROPOSAL LD-152458-3

JET BRITE  
850 E. OGDEN AVE  
NAPERVILLE, IL

BY: MVE DATE: 10-07-20 REV: 12-03-20 SHEET 1 OF 1

SCALE: 1"=30'