

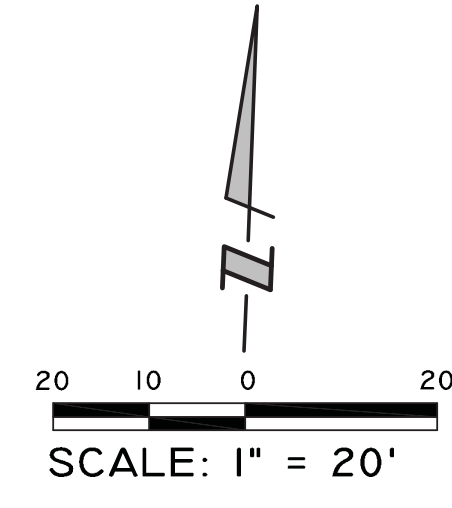
# PRELIMINARY/FINAL PLAT OF SUBDIVISION AUBURN MANOR SUBDIVISION

P.I.N. NO. 08-32-105-001  
08-32-117-029

9S364 NAPER BLVD.

THIS PLAT HAS BEEN SUBMITTED FOR RECORDING BY AND RETURN TO:  
NAME: NAPERVILLE CITY CLERK  
ADDRESS: 400 S. EAGLE STREET  
NAPERVILLE, IL 60540

BEING A SUBDIVISION OF THE NORTH HALF OF SECTION 32, TOWNSHIP 38 NORTH, RANGE 10, EAST OF THE THIRD PRINCIPAL MERIDIAN, IN DUPAGE COUNTY, ILLINOIS.



**LEGEND**

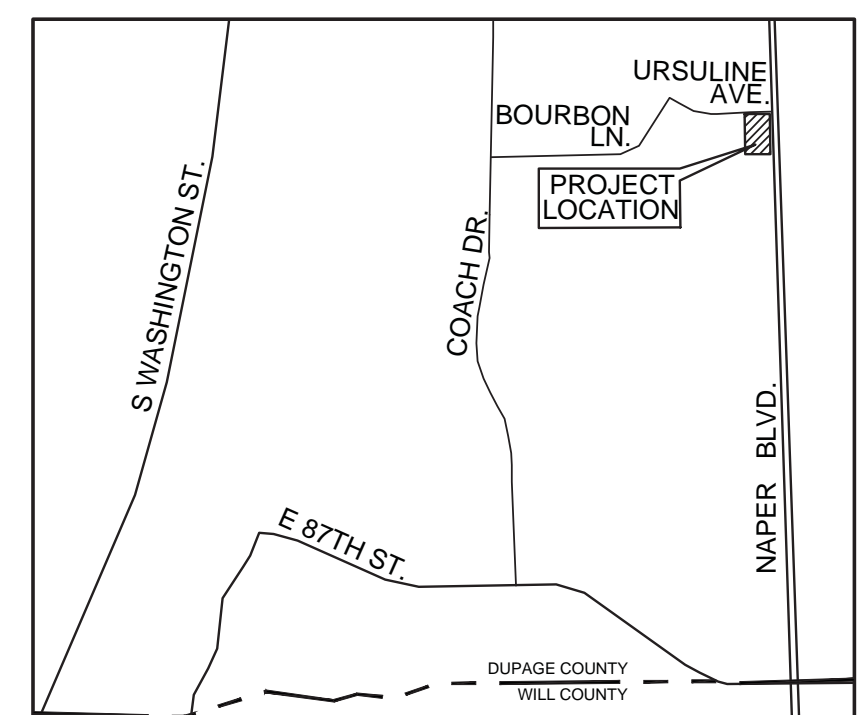
- IRON PIPE FOUND FOUND AT CORNER
- IRON PIPE SET
- CONCRETE MONUMENT SET
- SUBDIVISION BOUNDARY LINE
- - - ROAD CENTER LINE
- - - EXISTING EASEMENT LINE
- ROW LINE
- - - BUILDING SETBACK LINE
- - - UNDERLYING LOT LINE
- - - UNDERLYING SUBDIVISION LOT NO.
- - - SURROUNDING SUBDIVISION LOT NO.
- ⊥ INDICATES RIGHT ANGLE & DIMENSION

**ABBREVIATIONS**

- R = RECORD
- M = MEASURED
- N = NORTH
- S = SOUTH
- E = EAST
- W = WEST
- S.F. = SQUARE FEET
- AC. = ACRES
- NO. = NUMBER
- DOC. = DOCUMENT
- C.O.N. = CITY OF NAPERVILLE

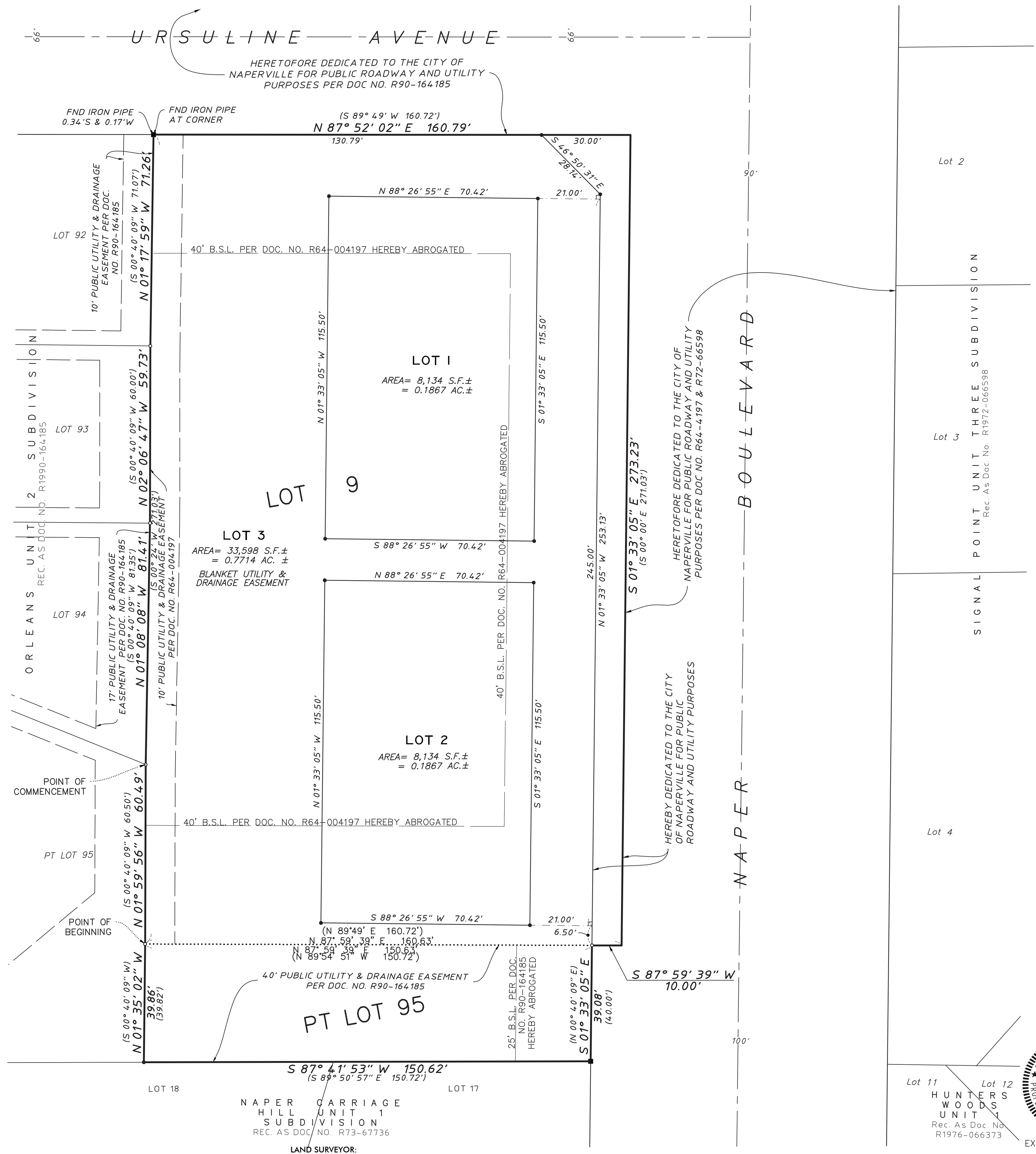
Area Summary Table

Lot #	Area (S.F.)	Area (Ac.)
1	8,134	0.1867
2	8,134	0.1867
3	33,598	0.7714
<b>Total</b>	<b>49,866</b>	<b>1.1448</b>



**SURVEYOR NOTES**

1. 3/4 INCH DIAMETER X 24 INCH IRON PIPES SET AT ALL LOT CORNERS UNLESS OTHERWISE NOTED.
2. ALL MEASUREMENTS AND DISTANCES ARE SHOWN IN FEET AND DECIMAL PARTS THEREOF.
3. BASIS OF BEARINGS: THE BEARINGS SHOWN ON THE PLAT MAP ARE ASSUMED BASED ON NAD 83(2011) ILLINOIS EAST ZONE 1201 STATE PLANE COORDINATES AS REFERENCED FROM KARA COMPANY'S RTK NETWORK.
4. ALL EXISTING BUILDING SETBACK LINES LOCATED ON THE SUBJECT PROPERTY AND ESTABLISHED BY DOCUMENTS R90-164185 AND R64-004197 ARE HEREBY ABROGATED AND RELEASED.



**EASEMENT AREA SUMMARY**

EXISTING EASEMENTS	8,874 S.F.
NEW EASEMENTS	22,205 S.F.
<b>TOTAL EASEMENTS</b>	<b>30,879 S.F.</b>

**DEDICATION AREA SUMMARY**

ROW DEDICATION	2,932 S.F.	0.06731 AC.
<b>TOTAL DEDICATION</b>	<b>2,932 S.F.</b>	<b>0.06731 AC.</b>

**LAND SURVEYOR AUTHORIZATION TO RECORD PLAT**

STATE OF ILLINOIS )  
                                  ) SS  
COUNTY OF DU PAGE )

THIS IS TO STATE THAT JEFFREY W. GLUNT, AN ILLINOIS PROFESSIONAL LAND SURVEYOR, BEING THE SAME LAND SURVEYOR WHO PREPARED AND CERTIFIED THE PLAT OF SUBDIVISION HEREON DRAWN TITLED AUBURN MANOR SUBDIVISION, DO HEREBY AUTHORIZE THE CITY OF NAPERVILLE CITY CLERK OR AN EMPLOYEE OF THE CITY CLERK'S OFFICE TO PRESENT SAID PLAT OF SUBDIVISION TO THE DU PAGE COUNTY RECORDER OF DEEDS TO BE RECORDED.

GIVEN UNDER MY HAND AND SEAL THIS \_\_\_\_\_ DAY OF \_\_\_\_\_, A.D. 20\_\_\_\_

SIGNATURE \_\_\_\_\_  
ILLINOIS PROFESSIONAL LAND SURVEYOR NO. 3695

STATE OF ILLINOIS )  
                                  ) SS:  
COUNTY OF COOK )

I, JEFFREY W. GLUNT, AN ILLINOIS PROFESSIONAL LAND SURVEYOR, DO HEREBY CERTIFY THAT I HAVE SURVEYED THE FOLLOWING DESCRIBED PROPERTY.

LOT 9 IN LEE WINE'S SECOND ASSESSMENT PLAT OF PART OF THE NORTH HALF OF SECTION 32, TOWNSHIP 38 NORTH, RANGE 10, EAST OF THE THIRD PRINCIPAL MERIDIAN, REFERENCE BEING HAD TO THE SAID ASSESSMENT PLAT RECORDED FEBRUARY 10, 1964, AS DOCUMENT R64-4197, IN DU PAGE COUNTY, ILLINOIS.

CONTAINING 1.0083 ACRES, MORE OR LESS.

THAT PART OF LOT 95, ORLEANS UNIT 2, BEING A SUBDIVISION IN PART OF THE NORTHWEST QUARTER OF SECTION 32, TOWNSHIP 38 NORTH, RANGE 10, EAST OF THE THIRD PRINCIPAL MERIDIAN DESCRIBED AS FOLLOWS: COMMENCING AT THE INTERSECTION OF THE NORTH LINE OF SAID LOT 95 WITH THE NORTHERLY EXTENSION OF THE WEST LINE OF THE EAST 150.72 FEET OF SAID LOT 95; THENCE SOUTH 00 DEGREES 40 MINUTES 09 SECONDS WEST ALONG SAID NORTHERLY EXTENSION, A DISTANCE OF 60.50 FEET FOR A POINT OF BEGINNING, SAID POINT ALSO BEING THE NORTHWEST CORNER OF SAID EAST 150.72 FEET; THENCE CONTINUING SOUTH 00 DEGREES 40 MINUTES 09 SECONDS WEST, A DISTANCE OF 39.82 FEET TO THE SOUTH LINE OF SAID LOT 95; THENCE SOUTH 89 DEGREES 50 MINUTES 57 SECONDS EAST ALONG SAID SOUTH LINE, A DISTANCE OF 150.72 FEET TO THE SOUTHEAST CORNER OF SAID LOT 95; THENCE NORTH 00 DEGREES 40 MINUTES 09 SECONDS EAST ALONG THE EAST LINE OF SAID LOT 95, A DISTANCE OF 40.00 FEET TO THE NORTHEAST CORNER OF SAID LOT 95; THENCE NORTH 89 DEGREES 54 MINUTES 51 SECONDS WEST ALONG THE NORTH LINE OF SAID EAST 150.72 FEET OF LOT 95, A DISTANCE OF 150.72 FEET TO THE POINT OF BEGINNING, ALL IN DUPAGE COUNTY, ILLINOIS.

CONTAINING 0.1365 ACRES, MORE OR LESS.

DIMENSIONS ARE GIVEN IN FEET AND DECIMAL PARTS THEREOF AND ARE CORRECTED TO A TEMPERATURE OF 68 DEGREES FAHRENHEIT.

I DO HEREBY FURTHER CERTIFY THAT UPON COMPLETION OF CONSTRUCTION, IRON PIPES AT ALL INTERIOR LOT CORNERS AND POINTS OF CHANGE IN ALIGNMENT WILL BE SET, AS REQUIRED BY THE PLAT ACT (765 ILCS 206/0.01 ET SEQ.). I FURTHER CERTIFY THAT ALL EXTERIOR CORNERS OF THE SUBDIVISION PLAT AND THAT CONCRETE MONUMENTS HAVE BEEN SET AS REQUIRED. THIS IS TO FURTHER CERTIFY THAT THE LAND INCLUDED IN THE ANNEXED PLAT IS WITHIN THE CORPORATE LIMITS OF THE CITY OF NAPERVILLE, DUPAGE COUNTY, ILLINOIS, WHICH HAS AN OFFICIAL COMPREHENSIVE PLAN AND IS EXERCISING THE SPECIAL POWERS AUTHORIZED BY THE STATE OF ILLINOIS ACCORDING TO 65 ILCS 5/11-12.6 AS HERETOFORE AND HEREAFTER AMENDED.

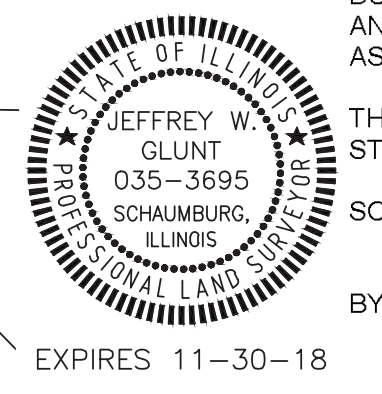
I FURTHER CERTIFY THAT BASED ON INFORMATION PROVIDED ON THE FLOOD INSURANCE RATE MAP COMMUNITY - PANEL NO. 17043C0807H DATED DECEMBER 16, 2004 PRODUCED BY THE FEDERAL EMERGENCY MANAGEMENT AGENCY (FEMA) FOR DUPAGE COUNTY, ILLINOIS AND INCORPORATED AREAS, THE PROPERTY SHOWN AND DESCRIBED HEREON IS LOCATED WITHIN ZONE X, WHICH IS DEFINED BY FEMA AS "AREA DETERMINED TO BE OUTSIDE THE 500-YEAR FLOODPLAIN".

I FURTHER CERTIFY THAT BASED ON INFORMATION PROVIDED ON THE FLOOD INSURANCE RATE MAP COMMUNITY - PANEL NO. 17043C0801H DATED DECEMBER 16, 2004 PRODUCED BY THE FEDERAL EMERGENCY MANAGEMENT AGENCY (FEMA) FOR DUPAGE COUNTY, ILLINOIS AND INCORPORATED AREAS, THE PROPERTY SHOWN AND DESCRIBED HEREON IS LOCATED WITHIN ZONE X, WHICH IS DEFINED BY FEMA AS "AREA DETERMINED TO BE OUTSIDE THE 500-YEAR FLOODPLAIN".

THIS PROFESSIONAL SERVICE CONFORMS TO THE CURRENT ILLINOIS MINIMUM STANDARDS OF PRACTICE APPLICABLE TO BOUNDARY SURVEYS.

SCHAUMBURG, ILLINOIS \_\_\_\_\_ JANUARY 2, 2018

BY: \_\_\_\_\_  
ILLINOIS PROFESSIONAL LAND SURVEYOR NO. 3695



**HAEGER ENGINEERING**  
CONSULTING ENGINEERS • LAND SURVEYORS  
100 EAST STATE PARKWAY, SCHALMBURG, IL 60173 TEL: 847.394.6600 FAX: 847.394.6608  
ILLINOIS PROFESSIONAL DESIGN FIRM LICENSE NO. 184-003152  
EMAIL: HAEGER@HAEGERENGINEERING.COM

PRELIMINARY/FINAL PLAT OF SUBDIVISION  
**AUBURN MANOR  
SUBDIVISION**

NO.	DATE	REVISION
3	01-02-2018	CITY OF NAPERVILLE COMMENTS DATED 12-28-2017
2	11-14-2017	CITY OF NAPERVILLE COMMENTS DATED 11-14-2017
1	10-25-2017	CITY OF NAPERVILLE COMMENTS DATED 10-09-2017

PREPARED FOR/PROPERTY OWNER:  
DRH CAMBRIDGE HOMES, INC.  
750 E. BUNKER COURT, SUITE 500, VERNON HILLS, IL 60061  
TEL: (847) 362-9100 EMAIL: JMEnde@drhorton.com

PROJECT MANAGER: JWG      DRAWN BY: NAL  
DATE: 09/07/2017      PROJECT NO. 17104  
C.O.N. PROJECT NO. 17-10000101

SHEET 1 / 2

# PRELIMINARY/FINAL PLAT OF SUBDIVISION AUBURN MANOR SUBDIVISION

BEING A SUBDIVISION OF THE NORTH HALF OF SECTION 32, TOWNSHIP 38 NORTH, RANGE 10,  
EAST OF THE THIRD PRINCIPAL MERIDIAN, IN DUPAGE COUNTY, ILLINOIS

### DU PAGE COUNTY CLERK'S CERTIFICATE

STATE OF ILLINOIS )  
 ) SS  
COUNTY OF DU PAGE )  
  
I, \_\_\_\_\_ COUNTY CLERK OF DU PAGE COUNTY, ILLINOIS, DO  
HEREBY CERTIFY THAT THERE ARE NO DELINQUENT GENERAL TAXES, NO UNPAID  
CURRENT TAXES, NO UNPAID FORFEITED TAXES, AND NO REDEEMABLE TAX SALES  
AGAINST ANY OF THE LAND INCLUDED IN THE PLAT.  
  
I, FURTHER CERTIFY THAT I HAVE RECEIVED ALL STATUTORY FEES IN CONNECTION  
WITH THE PLAT.  
  
GIVEN UNDER MY HAND AND SEAL OF THE COUNTY CLERK AT WHEATON, ILLINOIS,  
THIS \_\_\_\_\_ DAY OF \_\_\_\_\_, A.D., 20\_\_\_\_  
  
\_\_\_\_\_  
COUNTY CLERK

### DUPAGE COUNTY RECORDER'S CERTIFICATE

STATE OF ILLINOIS )  
 ) SS  
COUNTY OF DU PAGE )  
  
THIS INSTRUMENT \_\_\_\_\_ WAS FILED FOR RECORD  
IN THE RECORDER'S OFFICE OF DU PAGE COUNTY, ILLINOIS,  
ON THE \_\_\_\_\_ DAY OF \_\_\_\_\_, A.D., 20\_\_\_\_  
AT \_\_\_\_\_ O'CLOCK \_\_\_\_\_ M.  
  
\_\_\_\_\_  
RECORDER OF DEEDS

### CITY TREASURER'S CERTIFICATE

STATE OF ILLINOIS )  
 ) SS  
COUNTY OF DU PAGE )  
  
I, TREASURER FOR THE CITY OF NAPERVILLE, ILLINOIS, DO HEREBY CERTIFY THAT  
THERE ARE NO DELINQUENT OR UNPAID CURRENT OR FORFEITED SPECIAL  
ASSESSMENTS OR ANY DEFERRED INSTALLMENTS THEREOF THAT HAVE BEEN  
APPORTIONED AGAINST THE TRACT OF LAND INCLUDED IN THE PLAT.  
  
DATED AT NAPERVILLE, ILLINOIS, THIS \_\_\_\_\_ DAY OF \_\_\_\_\_, A.D., 20\_\_\_\_  
  
\_\_\_\_\_  
CITY TREASURER / DIRECTOR, FINANCE DEPARTMENT

### CITY COUNCIL CERTIFICATE

STATE OF ILLINOIS )  
 ) SS  
COUNTY OF DU PAGE )  
  
APPROVED BY THE CITY COUNCIL OF THE CITY OF NAPERVILLE, DUPAGE COUNTY,  
ILLINOIS.  
  
DATED AT \_\_\_\_\_ ILLINOIS, THIS \_\_\_\_\_ DAY OF  
\_\_\_\_\_, A.D., 20\_\_\_\_  
  
BY: \_\_\_\_\_  
CITY CLERK

### PUBLIC UTILITIES AND DRAINAGE EASEMENT PROVISIONS

A NON-EXCLUSIVE PERPETUAL EASEMENT IS HEREBY RESERVED FOR AND GRANTED  
OVER LOT 3 OF THE PROPERTY DEPICTED HEREON (HEREINAFTER "EASEMENT") TO  
THE CITY OF NAPERVILLE, ILLINOIS, AND TO THOSE PUBLIC UTILITY COMPANIES  
OPERATING UNDER FRANCHISE OR AGREEMENT FROM THE CITY OF NAPERVILLE,  
INCLUDING, BUT NOT LIMITED TO, ILLINOIS BELL TELEPHONE COMPANY DBA AT&T  
ILLINOIS, NICOR GAS COMPANY, AND THEIR SUCCESSORS AND ASSIGNS, AND TO  
OTHER GOVERNMENTAL AUTHORITIES HAVING JURISDICTION, OVER THE PROPERTY,  
EXCEPTING THEREFROM ANY BUILDINGS (OTHER THAN UTILITY METERS ATTACHED  
THERE TO) ORIGINALLY PLANNED AND/OR CONSTRUCTED WITH THE DEVELOPMENT  
AS SHOWN HEREON, FOR THE PERFORMANCE OF MUNICIPAL AND OTHER  
GOVERNMENTAL SERVICES, INCLUDING BUT NOT LIMITED TO THE PERPETUAL RIGHT,  
PRIVILEGE AND AUTHORITY TO SURVEY, CONSTRUCT, RECONSTRUCT, INSTALL,  
REPAIR, INSPECT, REMOVE, EXCHANGE, TEST, REPLACE, MAINTAIN AND OPERATE  
VARIOUS UTILITY TRANSMISSION AND DISTRIBUTION SYSTEMS, COMMUNITY  
ANTENNA TELEVISION SYSTEMS, WATER, STORM AND/OR SANITARY SEWERS,  
TOGETHER WITH ANY AND ALL NECESSARY MANHOLES, CATCH BASINS,  
CONNECTIONS, APPLIANCES AND OTHER STRUCTURES AND APPURTENANCES AS  
MAY BE DEEMED NECESSARY BY SAID CITY, OVER, UPON, UNDER AND THROUGH  
SAID EASEMENT, AND FOR THE RIGHT TO READ, EXAMINE, INSPECT, INSTALL,  
OPERATE, MAINTAIN, EXCHANGE, REMOVE, REPAIR, TEST, AND/OR REPLACE CITY  
OWNED UTILITY EQUIPMENT AND METERS, TOGETHER WITH THE RIGHT OF ACCESS  
ACROSS THE GRANTORS PROPERTY FOR NECESSARY PERSONNEL AND EQUIPMENT  
TO DO ANY OF THE ABOVE WORK.

THE RIGHT IS ALSO GRANTED TO THE CITY AND ITS AGENTS TO TRIM OR REMOVE  
ANY TREES, SHRUBS OR OTHER PLANTS ON THE EASEMENT THAT INTERFERE WITH  
THE REASONABLE USE OF SAID EASEMENT. NO PERMANENT BUILDINGS SHALL BE  
PLACED ON SAID EASEMENT, BUT SAME MAY BE USED FOR GARDENS, SHRUBS,  
LANDSCAPING AND OTHER PURPOSES THAT DO NOT THEN OR LATER INTERFERE  
WITH THE AFORESAID USES OR RIGHTS.

ALL CONSTRUCTION OR OTHER WORK PERFORMED BY ANY PERSON OR ENTITY  
WITHIN THE EASEMENT HEREBY GRANTED SHALL BE PERFORMED IN ACCORDANCE  
WITH THE VARIOUS REQUIREMENTS OF THE ORDINANCES, CODE, AND REGULATIONS  
OF THE CITY OF NAPERVILLE AND ALL OTHER APPLICABLE LAW.

### SCHOOL DISTRICT BOUNDARY STATEMENT

STATE OF ILLINOIS )  
 ) SS  
COUNTY OF DU PAGE )  
  
THE UNDERSIGNED, BEING DULY SWORN, UPON HIS/HER OATH DEPOSES AND  
STATES AS FOLLOWS:  
  
1. THAT DRH CAMBRIDGE HOMES, INC IS THE OWNER OF THE PROPERTY LEGALLY  
DESCRIBED ON THIS PLAT OF SUBDIVISION, WHICH HAS BEEN SUBMITTED TO THE  
CITY OF NAPERVILLE FOR APPROVAL, WHICH LEGAL DESCRIPTION IS  
INCORPORATED HEREIN BY REFERENCE; AND  
  
2. TO THE BEST OF THE OWNER'S KNOWLEDGE, THE SCHOOL DISTRICT IN WHICH  
TRACT, PARCEL, LOT OR BLOCK OF THE PROPOSED SUBDIVISION LIES IS:  
  
NAPERVILLE COMMUNITY UNIT DISTRICT 203  
203 W. HILLSIDE ROAD  
NAPERVILLE, ILLINOIS 60540-6589  
  
OWNER: DRH CAMBRIDGE HOMES, INC  
  
BY: \_\_\_\_\_  
OFFICER  
  
\_\_\_\_\_  
PRINT NAME  
  
SUBSCRIBED AND SWORN BEFORE ME THIS \_\_\_\_\_ DAY OF \_\_\_\_\_, A.D., 20\_\_\_\_  
  
\_\_\_\_\_  
NOTARY PUBLIC

### SURFACE WATER STATEMENT

STATE OF ILLINOIS )  
 ) SS  
COUNTY OF \_\_\_\_\_ )  
  
TO THE BEST OF OUR KNOWLEDGE AND BELIEF THE DRAINAGE OF SURFACE  
WATERS WILL NOT BE CHANGED BY THE CONSTRUCTION OF SUCH SUBDIVISION  
OR ANY PART THEREOF, OR THAT IF SUCH SURFACE WATER DRAINAGE WILL  
BE CHANGED, REASONABLE PROVISION HAS BEEN MADE FOR COLLECTION AND  
DIVERSION OF SUCH SURFACE WATERS INTO PUBLIC AREAS, OR DRAINS WHICH  
THE SUBDIVIDER HAS A RIGHT TO USE, AND THAT SUCH SURFACE WATERS WILL  
BE PLANNED FOR IN ACCORDANCE WITH GENERALLY ACCEPTED ENGINEERING  
PRACTICES SO AS TO REDUCE THE LIKELIHOOD OF DAMAGE TO THE ADJOINING  
PROPERTY BECAUSE OF THE CONSTRUCTION OF THE SUBDIVISION.  
  
BY: \_\_\_\_\_ DATE: \_\_\_\_\_  
ILLINOIS PROFESSIONAL ENGINEER  
  
BY: \_\_\_\_\_ DATE: \_\_\_\_\_  
OWNER

### OWNER'S CERTIFICATE

STATE OF ILLINOIS )  
 ) SS  
COUNTY OF DUPAGE )  
  
THIS IS TO CERTIFY THAT DRH CAMBRIDGE HOMES, INC. IS THE OWNER OF THE LAND  
DESCRIBED AND SHOWN ON THE ANNEXED PLAT, AND THAT SAID OWNER HAS  
CAUSED THE SAME TO BE SURVEYED AND SUBDIVIDED FOR THE USES AND  
PURPOSES THEREIN SET FORTH AND DOES HEREBY ACKNOWLEDGE AND ADOPT  
THE SAME UNDER THE STYLE AND TITLE THEREON INDICATED.  
  
DATED AT \_\_\_\_\_, ILLINOIS THIS \_\_\_\_\_ DAY OF \_\_\_\_\_, A.D.  
20\_\_\_\_  
  
OWNER: DRH CAMBRIDGE HOMES, INC.  
  
BY: \_\_\_\_\_  
OFFICER  
  
\_\_\_\_\_  
PRINT NAME

### NOTARY CERTIFICATE

STATE OF ILLINOIS )  
 ) SS  
COUNTY OF DUPAGE )  
  
I, \_\_\_\_\_, A NOTARY PUBLIC, IN AND FOR SAID COUNTY  
\_\_\_\_\_  
PRINT NAME  
IN THE STATE AFORESAID, DO HEREBY CERTIFY THAT \_\_\_\_\_  
\_\_\_\_\_  
PRINT NAME  
PERSONALLY KNOWN TO ME TO BE THE SAME PERSON WHOSE NAME IS  
SUBSCRIBED TO THE FOREGOING INSTRUMENT AS SUCH MANAGER APPEARED  
BEFORE ME THIS DAY IN PERSON AND ACKNOWLEDGED THAT HE SIGNED AND  
DELIVERED THE ANNEXED PLAT AS HIS OWN FREE AND VOLUNTARY ACT AND AS THE  
FREE AND VOLUNTARY ACT OF DRH CAMBRIDGE HOMES, INC, AS OWNER, FOR THE  
USES AND PURPOSES THEREIN SET FORTH.  
  
GIVEN UNDER MY HAND AND SEAL  
  
THIS \_\_\_\_\_ DAY OF \_\_\_\_\_, A.D., 20\_\_\_\_.  
  
\_\_\_\_\_  
NOTARY SIGNATURE

**HAEGER ENGINEERING**  
CONSULTING ENGINEERS • LAND SURVEYORS  
100 EAST STATE PARKWAY, SCHALMBURG, IL 60173 • TEL: 847.394.6600 FAX: 847.394.6608  
ILLINOIS PROFESSIONAL DESIGN FIRM LICENSE NO. 184-003152  
EMAIL: HAEGER@HAEGERENGINEERING.COM

PRELIMINARY/FINAL PLAT OF SUBDIVISION  
AUBURN MANOR  
SUBDIVISION

NO.	DATE	REVISION
3	01-02-2018	CITY OF NAPERVILLE COMMENTS DATED 12-28-2017
2	11-14-2017	CITY OF NAPERVILLE COMMENTS DATED 11-14-2017
1	10-18-2017	CITY OF NAPERVILLE COMMENTS DATED 10-09-2017

PREPARED FOR/PROPERTY OWNER:  
DRH CAMBRIDGE HOMES, INC.  
750 E. BUNKER COURT, SUITE 500, VERNON HILLS, IL 60061  
TEL: (847) 362-9100 EMAIL: JMende@drhorton.com  
  
PROJECT MANAGER: JWG DRAWN BY: NAL  
DATE: 09/07/2017 PROJECT NO. 17104 SHEET 2/2  
C.O.N. PROJECT NO. 17-10000101