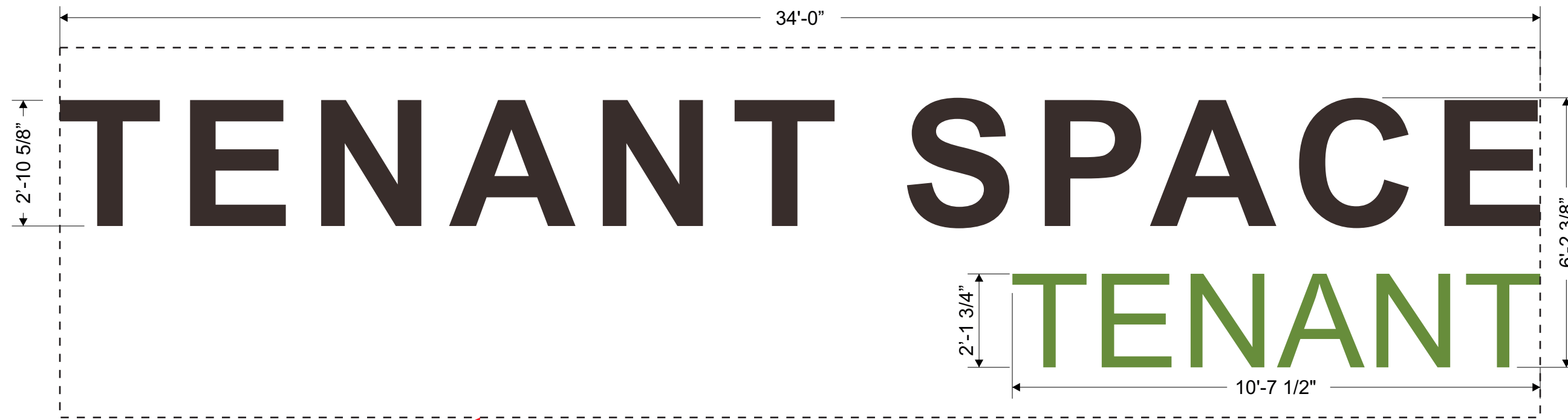


# Ryan Companies

Edward Elmhurst Health  
10 Martin  
Naperville, IL



8004193  
11.09.22



Available Sign Space: 34'-0" x 8'-6" = 289 SF

**Face-Lit Channel Letter Sets**

Qty: 3 Sets

Scale: 3/8" = 1'-0"

5" Deep face-lit channel letters, with .040 returns and .063 backs.  
Apply respective translucent color vinyl onto acrylic faces.

Internally illuminated with white LEDs

Flush mount letters onto respective locations on facade.

Electrical to go through building into J-Box: Location TBD - Survey Req.

PMS 158 C



PMS 576 C



PMS 440 C


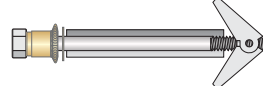
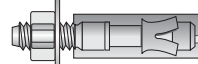

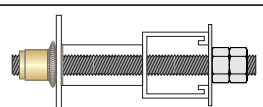


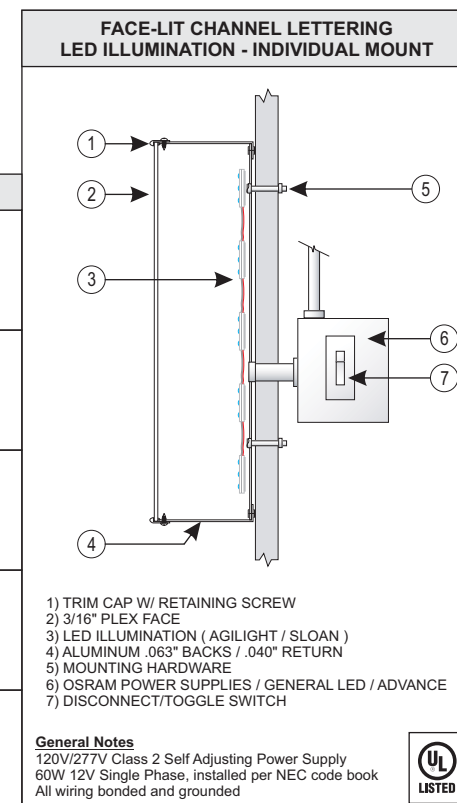
MP 32351 White Spirit,  
Satin Finish




Mp12813 Beige Frame,  
Satin Finish



MOUNTING HARDWARE	
<input type="checkbox"/> Wood & Masonry Applications	
<input type="checkbox"/> Hollow Walls	
<input type="checkbox"/> Masonry Applications	
<input type="checkbox"/> Masonry Applications	
<input type="checkbox"/> Hollow Walls w/ Rear-Access	



**General Notes**  
120V/277V Class 2 Self Adjusting Power Supply  
60W 12V Single Phase, installed per NEC code book  
All wiring bonded and grounded




934 N Church  
Elmhurst, IL 60126

tel: 630.333.4900  
fax: 630.333.4915

CLIENT Ryan Companies, Inc. Edward Elmhurst Health
CUSTOMER APPROVAL

PROJECT NAME 10 Martin Naperville, IL
TRACKER NUMBER 8004193

DATE 06.20.22
DRAWN BY SJV

REVISIONS:	
06.24.22	11.07.22
07.11.22	11.09.22
07.12.22	
08.23.22	
10.03.22	
10.28.22	

THIS DRAWING IS THE PROPERTY  
OF SOUTH WATER SIGNS, LLC.  
ALL RIGHTS OF REPRODUCTION  
ARE RESERVED BY  
SOUTH WATER SIGNS, INC.

# 10 Martin Medical Office Building

## CONCEPTUAL NORTH ELEVATION



934 N Church  
Elmhurst, IL 60126

tel: 630.333.4900  
fax: 630.333.4915

CLIENT  
Ryan Companies, Inc.  
Edward Elmhurst Health

CUSTOMER APPROVAL

PROJECT NAME  
10 Martin  
Naperville, IL

TRACKER NUMBER  
8004193

DATE  
06.20.22

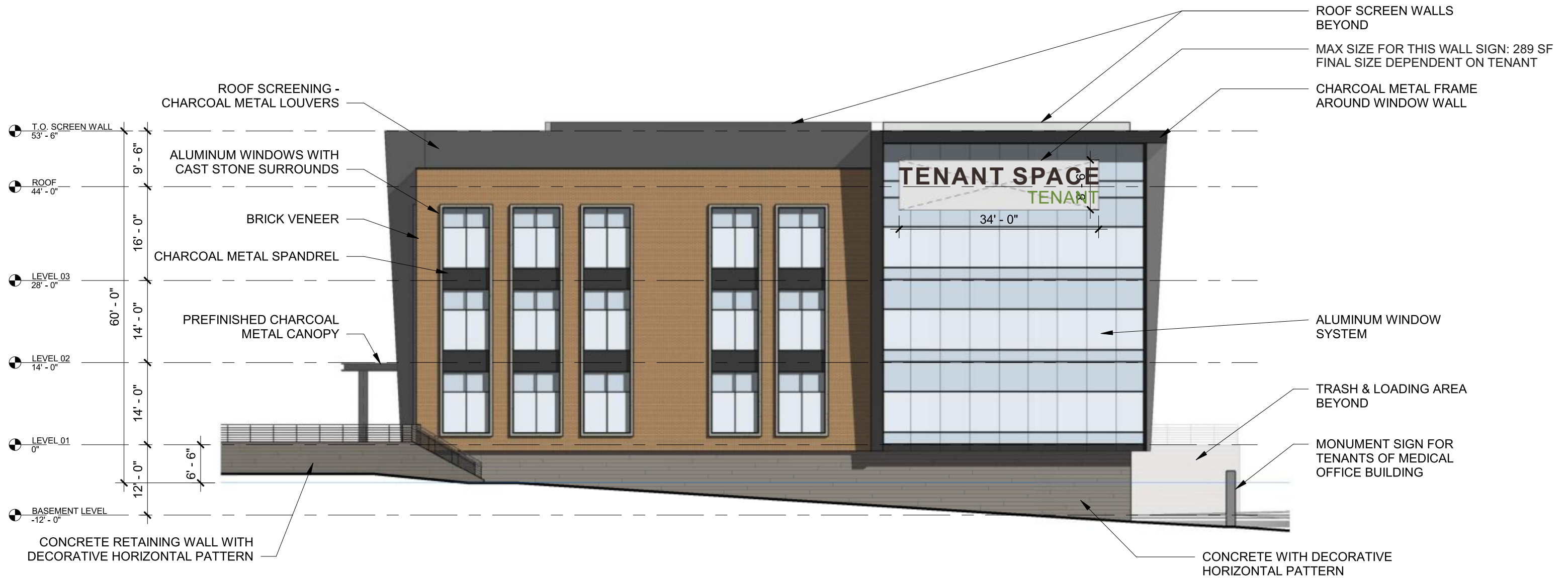
DRAWN BY  
SJV

REVISIONS:	
06.24.22	11.07.22
07.11.22	11.09.22
07.12.22	
08.23.22	
10.03.22	
10.28.22	

THIS DRAWING IS THE PROPERTY  
OF SOUTH WATER SIGNS, LLC.  
ALL RIGHTS OF REPRODUCTION  
ARE RESERVED BY  
SOUTH WATER SIGNS, INC.

# 10 Martin Medical Office Building

## CONCEPTUAL EAST ELEVATION



934 N Church  
Elmhurst, IL 60126

tel: 630.333.4900  
fax: 630.333.4915

CLIENT  
Ryan Companies, Inc.  
Edward Elmhurst Health

CUSTOMER APPROVAL

PROJECT NAME  
10 Martin  
Naperville, IL

TRACKER NUMBER  
8004193

DATE  
06.20.22

DRAWN BY  
SJV

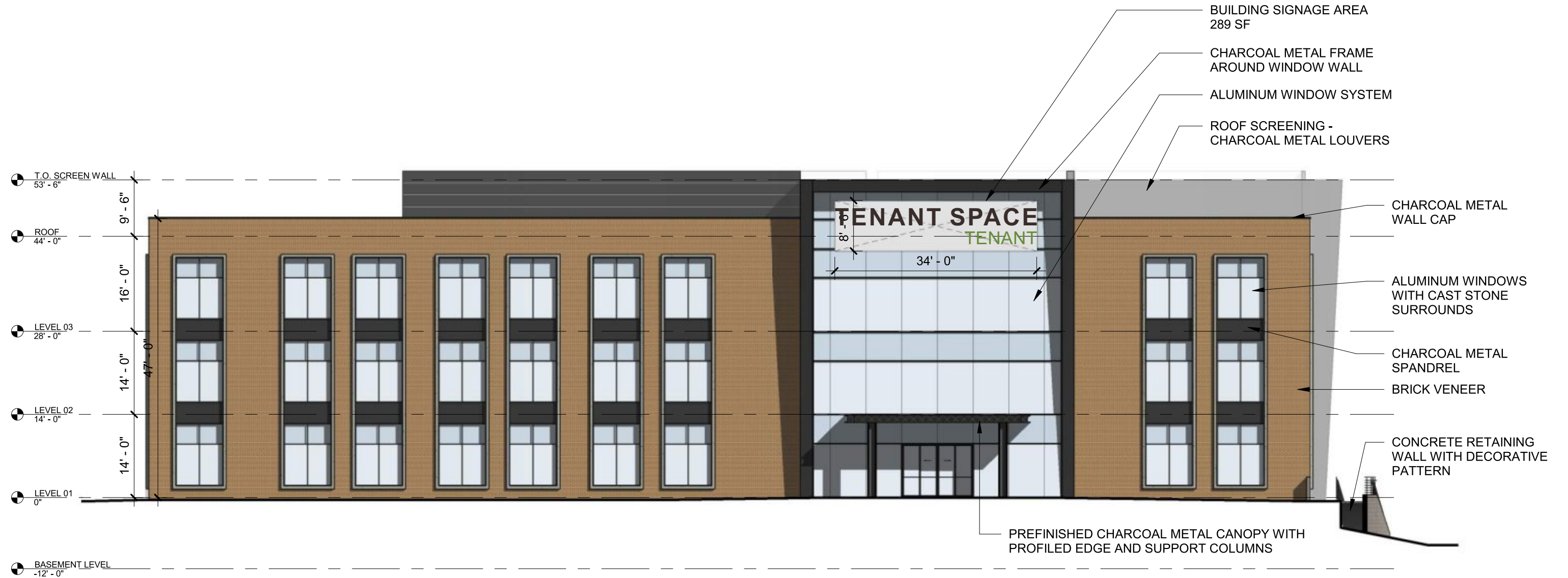
REVISIONS:	
06.24.22	11.07.22
07.11.22	11.09.22
07.12.22	
08.23.22	
10.03.22	
10.28.22	

THIS DRAWING IS THE PROPERTY OF SOUTH WATER SIGNS, LLC. ALL RIGHTS OF REPRODUCTION ARE RESERVED BY SOUTH WATER SIGNS, INC.



# 10 Martin Medical Office Building

## CONCEPTUAL SOUTH ELEVATION



934 N Church  
Elmhurst, IL 60126

tel: 630.333.4900  
fax: 630.333.4915

CLIENT Ryan Companies, Inc. Edward Elmhurst Health
CUSTOMER APPROVAL

PROJECT NAME 10 Martin Naperville, IL
TRACKER NUMBER 8004193

DATE 06.20.22
DRAWN BY SJV

REVISIONS:	
06.24.22	11.07.22
07.11.22	11.09.22
07.12.22	
08.23.22	
10.03.22	
10.28.22	

THIS DRAWING IS THE PROPERTY OF SOUTH WATER SIGNS, LLC. ALL RIGHTS OF REPRODUCTION ARE RESERVED BY SOUTH WATER SIGNS, INC.



Available Sign Space: 20'-0" x 4'-6" = 90 SF

**Face-Lit Channel Letter Sets**

Qty: 1 Sets

Scale: 1/2" = 1'-0"

5" Deep face-lit channel letters, with .040 returns and .063 backs.  
Apply respective translucent color vinyl onto acrylic faces.

Internally illuminated with white LEDs

Flush mount letters onto respective locations on facade.

Electrical to go through building into J-Box: Location TBD - Survey Req.

PMS 158 C



PMS 576 C



PMS 440 C



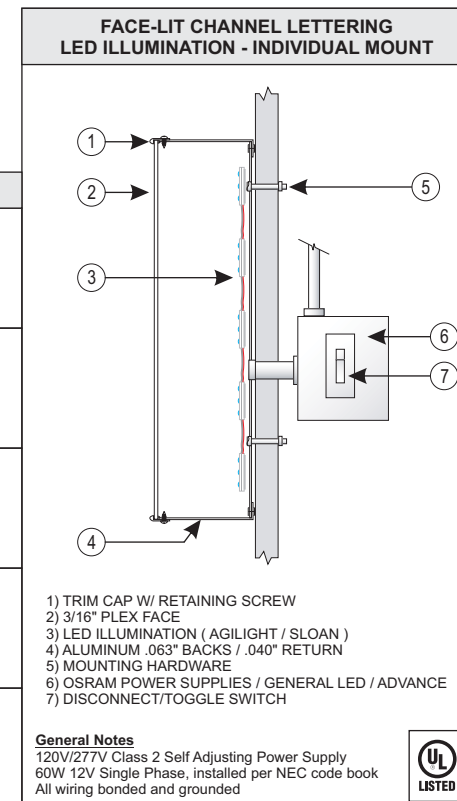
MP 32351 White Spirit,  
Satin Finish



Mp12813 Beige Frame,  
Satin Finish



MOUNTING HARDWARE	
<input type="checkbox"/> Wood & Masonry Applications	
<input type="checkbox"/> Hollow Walls	
<input type="checkbox"/> Masonry Applications	
<input type="checkbox"/> Masonry Applications	
<input type="checkbox"/> Hollow Walls w/ Rear-Access	



934 N Church  
Elmhurst, IL 60126

tel: 630.333.4900  
fax: 630.333.4915

CLIENT  
Ryan Companies, Inc.  
Edward Elmhurst Health

PROJECT NAME  
10 Martin  
Naperville, IL

DATE  
06.20.22

REVISIONS:  
06.24.22 11.07.22  
07.11.22 11.09.22  
07.12.22  
08.23.22  
10.03.22  
10.28.22

CUSTOMER APPROVAL

TRACKER NUMBER  
8004193

DRAWN BY  
SJV

THIS DRAWING IS THE PROPERTY  
OF SOUTH WATER SIGNS, LLC.  
ALL RIGHTS OF REPRODUCTION  
ARE RESERVED BY  
SOUTH WATER SIGNS, INC.

# 10 Martin Medical Office Building

## CONCEPTUAL WEST ELEVATION



934 N Church  
Elmhurst, IL 60126

tel: 630.333.4900  
fax: 630.333.4915

CLIENT  
Ryan Companies, Inc.  
Edward Elmhurst Health

CUSTOMER APPROVAL

PROJECT NAME  
10 Martin  
Naperville, IL

TRACKER NUMBER  
8004193

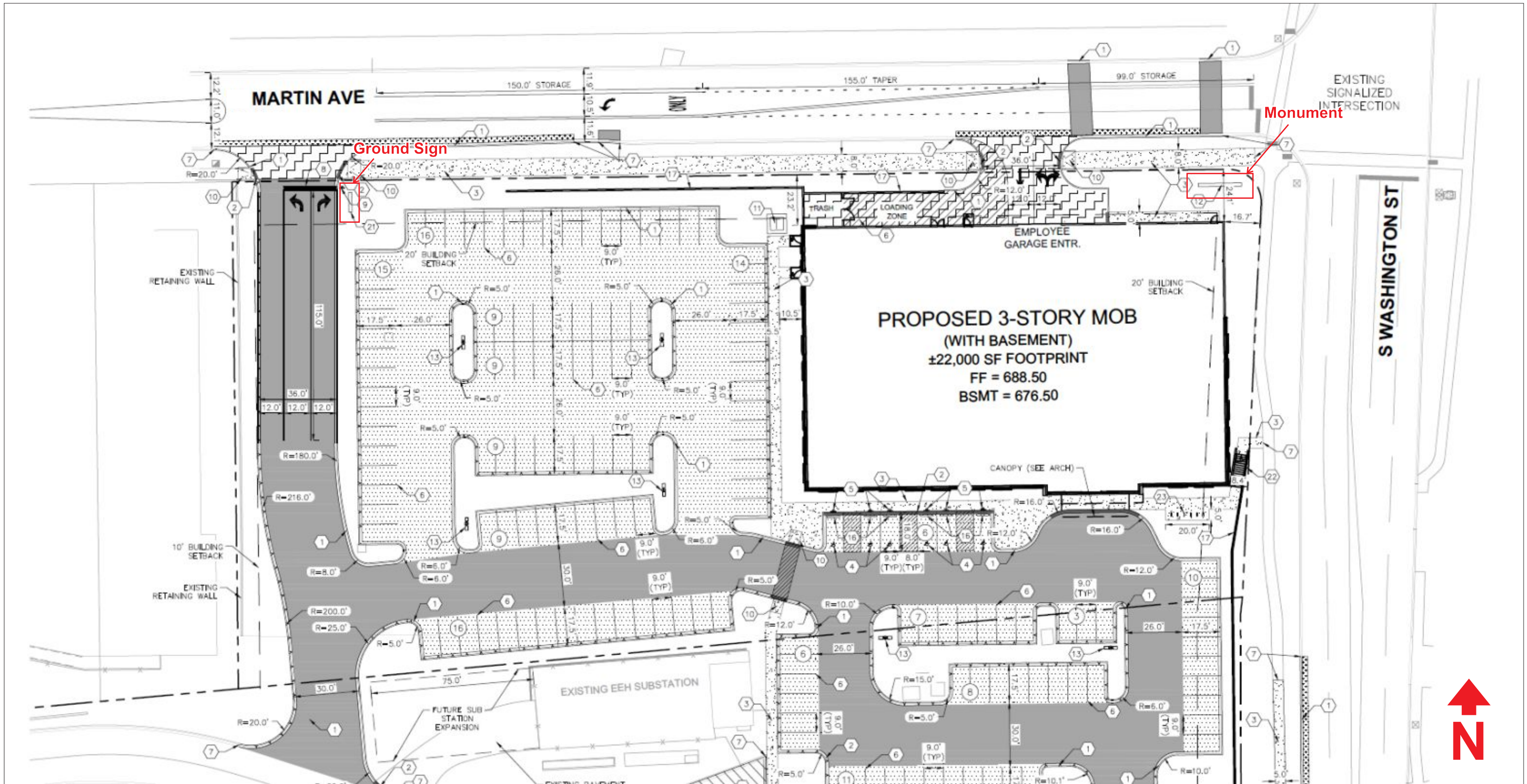
DATE  
06.20.22

DRAWN BY  
SJV

REVISIONS:	
06.24.22	11.07.22
07.11.22	11.09.22
07.12.22	
08.23.22	
10.03.22	
10.28.22	

THIS DRAWING IS THE PROPERTY OF SOUTH WATER SIGNS, LLC. ALL RIGHTS OF REPRODUCTION ARE RESERVED BY SOUTH WATER SIGNS, INC.





934 N Church  
Elmhurst, IL 60126

tel: 630.333.4900  
fax: 630.333.4915

CLIENT  
Ryan Companies, Inc.  
Edward Elmhurst Health

CUSTOMER APPROVAL

PROJECT NAME  
10 Martin  
Naperville, IL

TRACKER NUMBER  
8004193

DATE  
06.20.22

DRAWN BY  
SJV

REVISIONS:	
06.24.22	11.07.22
07.11.22	11.09.22
07.12.22	
08.23.22	
10.03.22	
10.28.22	

THIS DRAWING IS THE PROPERTY  
OF SOUTH WATER SIGNS, LLC.  
ALL RIGHTS OF REPRODUCTION  
ARE RESERVED BY  
SOUTH WATER SIGNS, INC.

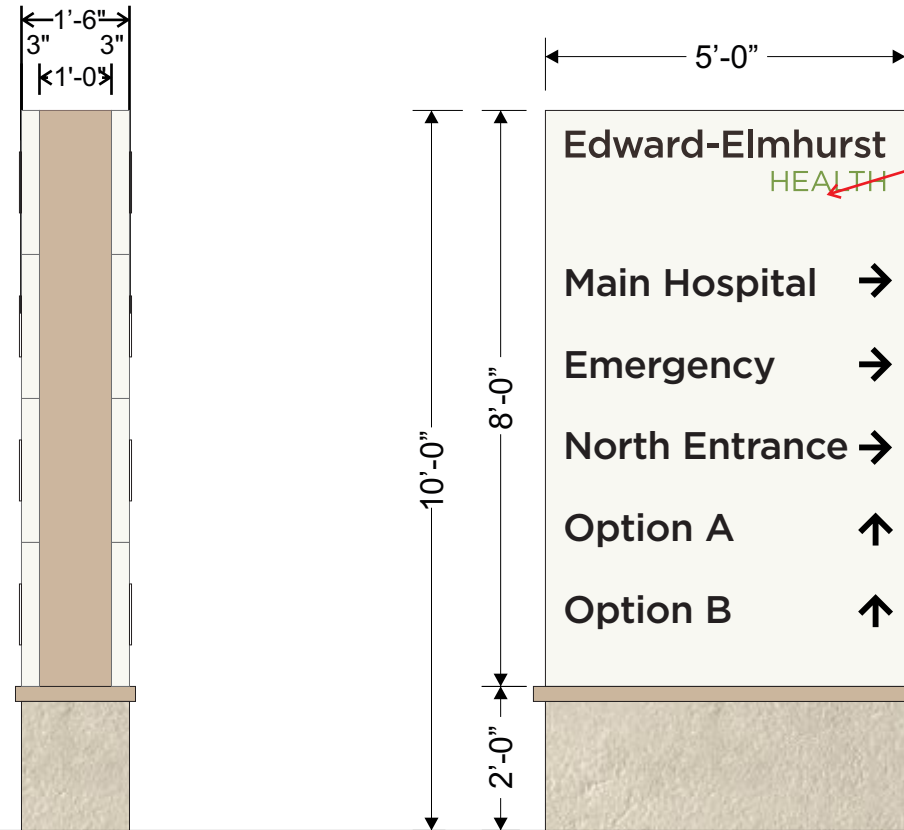


**Ground Sign**





Scale: 3/8" = 1'

- Fabricated Aluminum Cabinet w/ Routed .125 Aluminum Faces, removable for internal access; colors painted as specified
- Logo - Pushed Through 3/4" Acrylic (1/2" Exposed) Copy w/ applied vinyl diffuser and graphics as specified
- Internal LED Illumination w/ Power Supply located inside cabinet
- Fabricated Aluminum center core & based with decorative cap element - skinned with .090 aluminum
- Saddle mounting within sign cabinet, field welded to steel
- Slate Stone Covering on monument base, Actual material TBD

5'-0" x 8'-0" = 40.0 SF



Example text only.  
Actual messaging TBD.  
  
Internally illuminated.  
Letters, logo and arrows  
will illuminate only.

- PMS 440 C 
- MP 32351 White Spirit, Satin Finish 
- Mp12813 Beige Frame, Satin Finish 
- Slate Stone, TBD 

Side View



934 N Church  
Elmhurst, IL 60126

tel: 630.333.4900  
fax: 630.333.4915

CLIENT Ryan Companies, Inc. Edward Elmhurst Health
CUSTOMER APPROVAL

PROJECT NAME 10 Martin Naperville, IL
TRACKER NUMBER 8004193

DATE 06.20.22
DRAWN BY SJV

REVISIONS:	
06.24.22	11.07.22
07.11.22	11.09.22
07.12.22	
08.23.22	
10.03.22	
10.28.22	

THIS DRAWING IS THE PROPERTY  
OF SOUTH WATER SIGNS, LLC.  
ALL RIGHTS OF REPRODUCTION  
ARE RESERVED BY  
SOUTH WATER SIGNS, INC.

**Monument**

Scale: 1/4" = 1'

- Fabricated Aluminum Cabinet w/ Routed .125 Aluminum Faces, removable for internal access; colors painted as specified
- "Healthy Driven" - 1/2" Pushed thru acrylic (1/4" exposed)
- Logo - Pushed Through 3/4" Acrylic (1/2" Exposed) Copy w/ applied vinyl diffuser and graphics as specified
- All directional panels - routed and backed with translucent acrylic with applied vinyl
- LED edge lighting around intersection of Copy panels and Orange architectural accent
- Internal LED Illumination w/ Power Supply located inside cabinet
- Fabricated Aluminum center core & based with decorative cap element - skinned with .090 aluminum
- Saddle mounting within sign cabinet, field welded to steel
- Slate Stone Covering on monument base, Actual material TBD

PMS 158 C



PMS 576 C



PMS 440 C



MP 32351 White Spirit,  
Satin Finish



Mp12813 Beige Frame,  
Satin Finish



Slate Stone, TBD



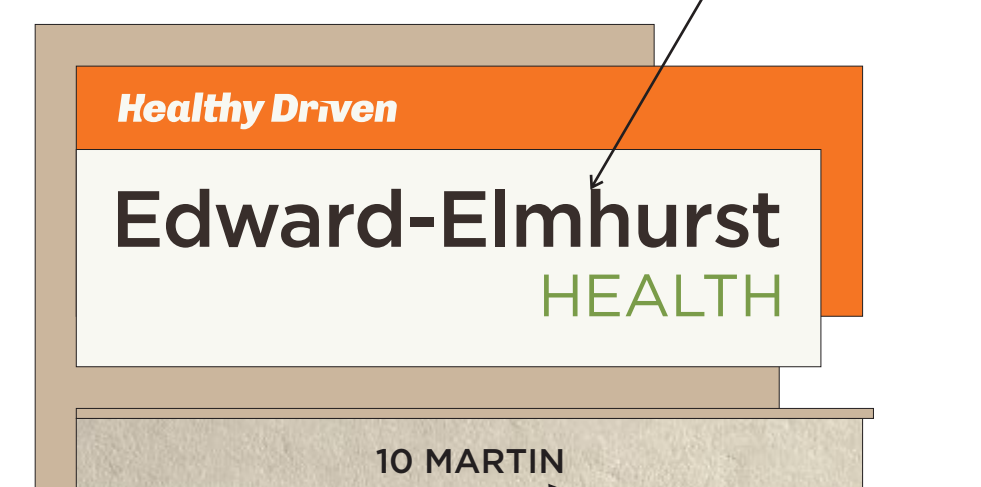
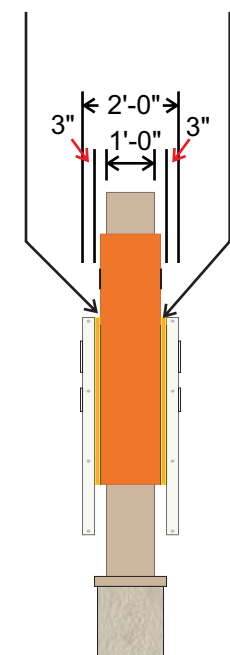
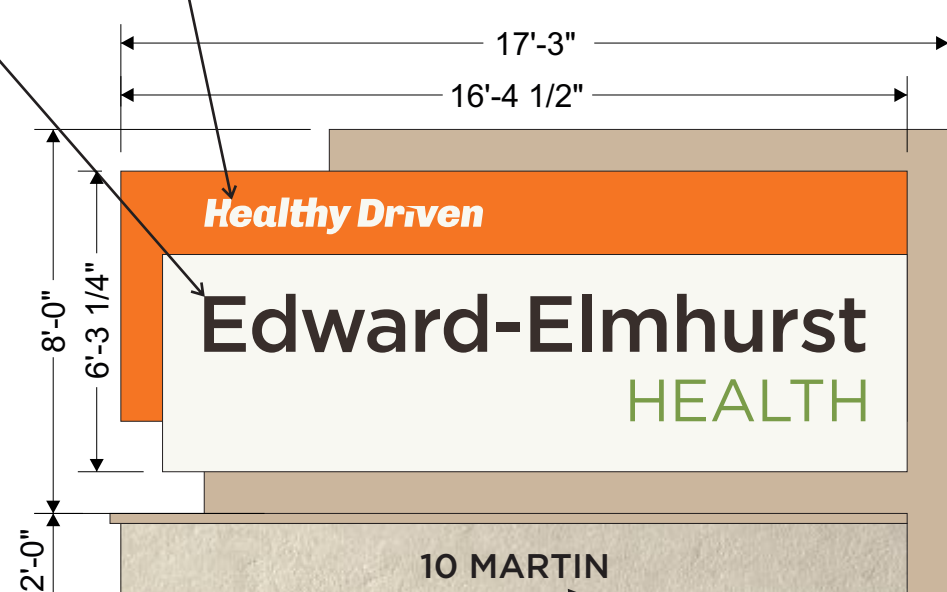
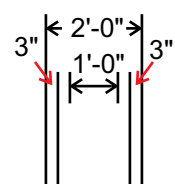
3/4" Clear acrylic (1/2" Exposed) with 2nd surface white diffuser  
"Edward..." - 1st surface black perforated vinyl  
"HEALTH" - 1st surface 3M 3630-106 Green vinyl

1/2" Thick clear acrylic (1/4" Exposed) with 1st surface white translucent vinyl and 2nd surface diffuser

**Sign Face**  
16.38' x 6.27' = 102.7 SF

LED edge lighting around intersection of copy panels and orange architectural accent

Internally Illuminated - Only Letters and Logo will illuminate



Side View

Side View

1/4" Aluminum FCOs  
6" h Address  
Font: Gotham Med

1/4" Aluminum FCOs  
6" h Address  
Font: Gotham Med



934 N Church  
Elmhurst, IL 60126

tel: 630.333.4900  
fax: 630.333.4915

CLIENT  
Ryan Companies, Inc.  
Edward Elmhurst Health

CUSTOMER APPROVAL

PROJECT NAME  
10 Martin  
Naperville, IL

TRACKER NUMBER  
8004193

DATE  
06.20.22

DRAWN BY  
SJV

REVISIONS:

06.24.22	11.07.22
07.11.22	11.09.22
07.12.22	
08.23.22	
10.03.22	
10.28.22	

THIS DRAWING IS THE PROPERTY OF SOUTH WATER SIGNS, LLC. ALL RIGHTS OF REPRODUCTION ARE RESERVED BY SOUTH WATER SIGNS, INC.