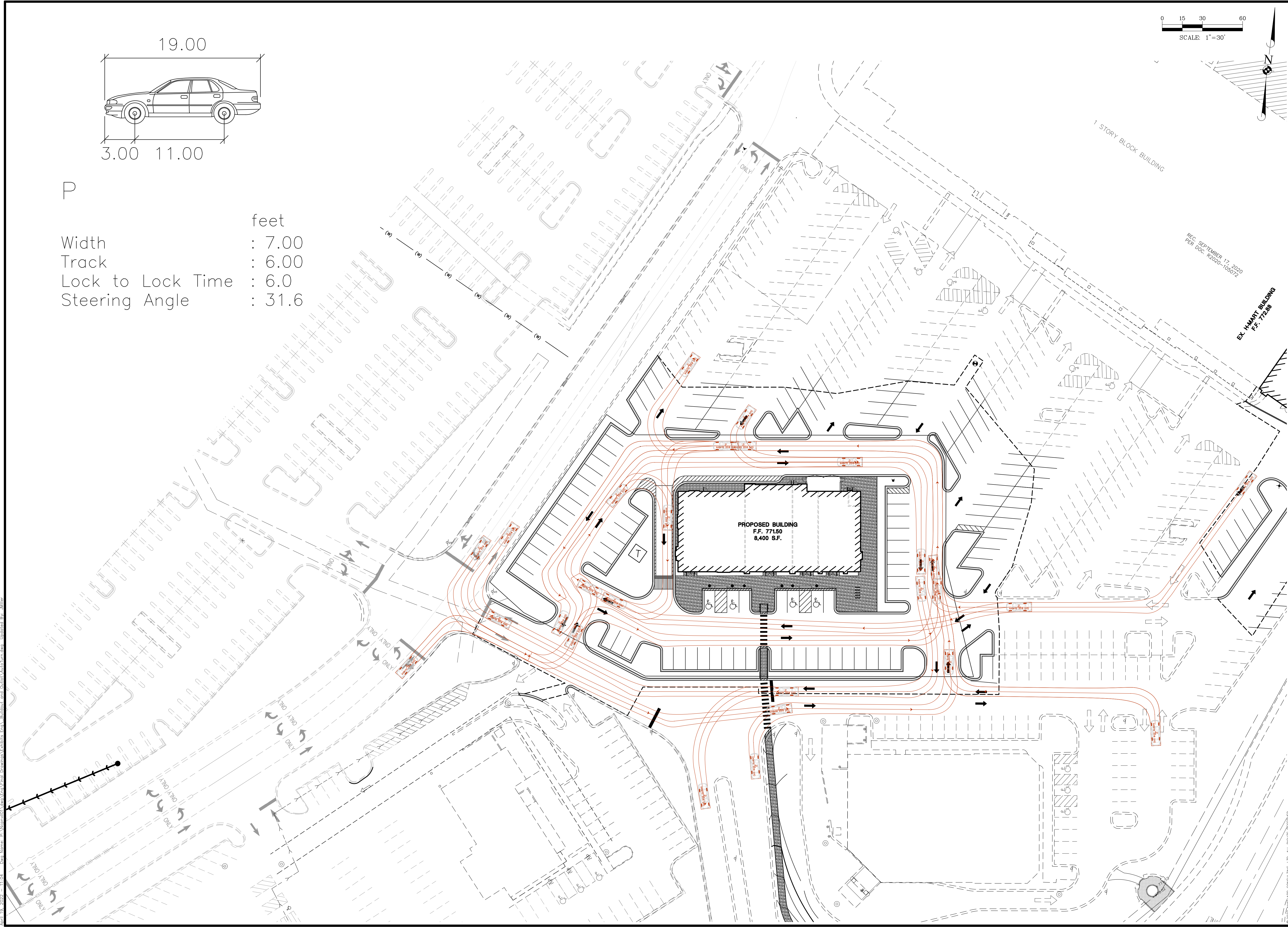


P

Width	: 7.00	feet
Track	: 6.00	
Lock to Lock Time	: 6.0	
Steering Angle	: 31.6	



April 19, 2022 - 11:04 Des Name: P:\Naper01\des\Exh\Autoturn\Exh\Autoturn.dwg Updated By: JRM

DATE	BY	REVISIONS
04/19/22	JRM	1.00
04/19/22	JRM	1.01
04/19/22	JRM	1.02
04/19/22	JRM	1.03
04/19/22	JRM	1.04
04/19/22	JRM	1.05
04/19/22	JRM	1.06
04/19/22	JRM	1.07
04/19/22	JRM	1.08
04/19/22	JRM	1.09
04/19/22	JRM	1.10
04/19/22	JRM	1.11
04/19/22	JRM	1.12
04/19/22	JRM	1.13
04/19/22	JRM	1.14
04/19/22	JRM	1.15
04/19/22	JRM	1.16
04/19/22	JRM	1.17
04/19/22	JRM	1.18
04/19/22	JRM	1.19
04/19/22	JRM	1.20
04/19/22	JRM	1.21
04/19/22	JRM	1.22
04/19/22	JRM	1.23
04/19/22	JRM	1.24
04/19/22	JRM	1.25
04/19/22	JRM	1.26
04/19/22	JRM	1.27
04/19/22	JRM	1.28
04/19/22	JRM	1.29
04/19/22	JRM	1.30
04/19/22	JRM	1.31
04/19/22	JRM	1.32
04/19/22	JRM	1.33
04/19/22	JRM	1.34
04/19/22	JRM	1.35
04/19/22	JRM	1.36
04/19/22	JRM	1.37
04/19/22	JRM	1.38
04/19/22	JRM	1.39
04/19/22	JRM	1.40
04/19/22	JRM	1.41
04/19/22	JRM	1.42
04/19/22	JRM	1.43
04/19/22	JRM	1.44
04/19/22	JRM	1.45
04/19/22	JRM	1.46
04/19/22	JRM	1.47
04/19/22	JRM	1.48
04/19/22	JRM	1.49
04/19/22	JRM	1.50
04/19/22	JRM	1.51
04/19/22	JRM	1.52
04/19/22	JRM	1.53
04/19/22	JRM	1.54
04/19/22	JRM	1.55
04/19/22	JRM	1.56
04/19/22	JRM	1.57
04/19/22	JRM	1.58
04/19/22	JRM	1.59
04/19/22	JRM	1.60
04/19/22	JRM	1.61
04/19/22	JRM	1.62
04/19/22	JRM	1.63
04/19/22	JRM	1.64
04/19/22	JRM	1.65
04/19/22	JRM	1.66
04/19/22	JRM	1.67
04/19/22	JRM	1.68
04/19/22	JRM	1.69
04/19/22	JRM	1.70
04/19/22	JRM	1.71
04/19/22	JRM	1.72
04/19/22	JRM	1.73
04/19/22	JRM	1.74
04/19/22	JRM	1.75
04/19/22	JRM	1.76
04/19/22	JRM	1.77
04/19/22	JRM	1.78
04/19/22	JRM	1.79
04/19/22	JRM	1.80
04/19/22	JRM	1.81
04/19/22	JRM	1.82
04/19/22	JRM	1.83
04/19/22	JRM	1.84
04/19/22	JRM	1.85
04/19/22	JRM	1.86
04/19/22	JRM	1.87
04/19/22	JRM	1.88
04/19/22	JRM	1.89
04/19/22	JRM	1.90
04/19/22	JRM	1.91
04/19/22	JRM	1.92
04/19/22	JRM	1.93
04/19/22	JRM	1.94
04/19/22	JRM	1.95
04/19/22	JRM	1.96
04/19/22	JRM	1.97
04/19/22	JRM	1.98
04/19/22	JRM	1.99
04/19/22	JRM	2.00

Manhard CONSULTING LTD

154 West Hillside, 7th Floor, Naperville, IL 60563
 Phone: 630.335.1100
 Fax: 630.335.1101
 Email: info@manhardconsulting.com

Services: Surveyors • Water Resource Engineers • Water & Wastewater Engineers • Civil Engineers • Environmental Scientists • Environmental Architects • Planners • Construction Managers • Environmental Scientists • Landscape Architects • Planners

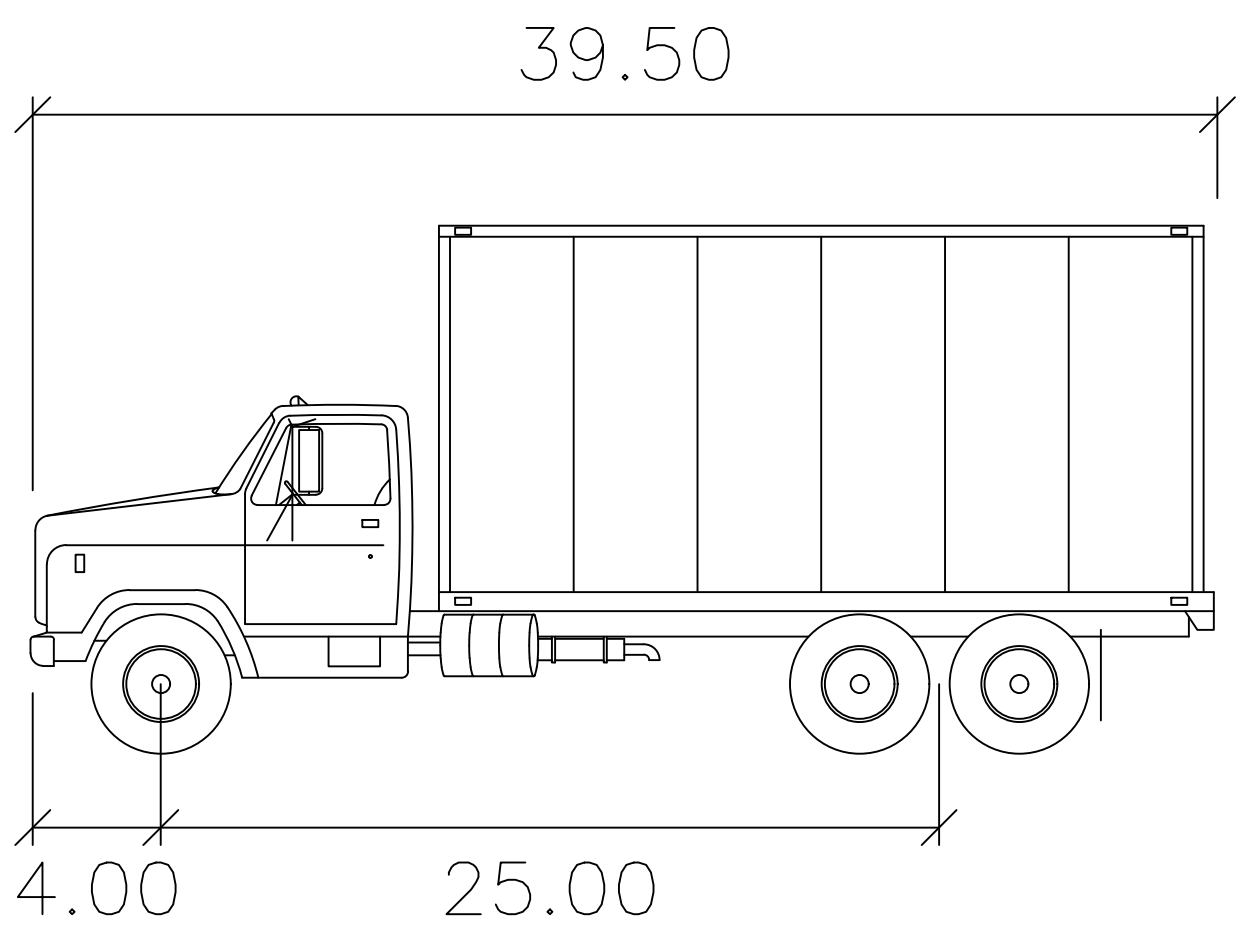
EASTGATE CROSSING - OUTLOT
CITY OF NAPERVILLE, ILLINOIS
AUTOTURN EXHIBIT - PASSENGER CAR

PROJ MGR: KJC
 PROJ ASSOC: JRM
 DRAWN BY: JRM
 DATE: 04-21-22
 SCALE: 1"=30'

SHEET
1 OF **3**
 NCP.NVIL01

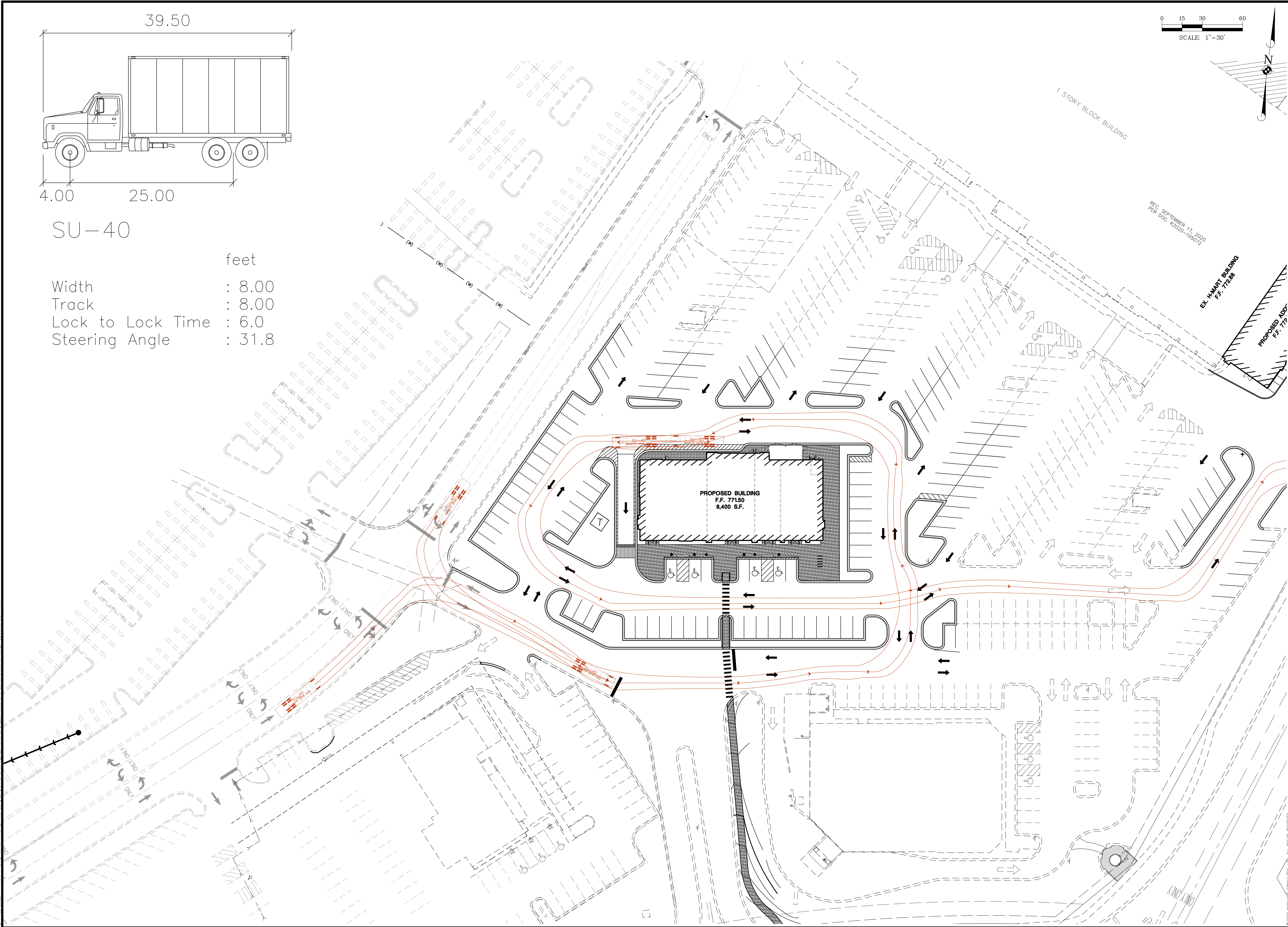
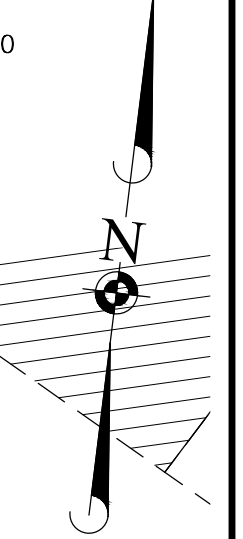
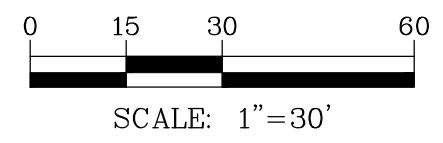
©2022 MANHARD CONSULTING, LTD. ALL RIGHTS RESERVED

INFORMATIONAL EXHIBIT - NOT FOR CONSTRUCTION



SU-40

Width : 8.00
 Track : 8.00
 Lock to Lock Time : 6.0
 Steering Angle : 31.8



April 19, 2022 - 11:04 Des Name: P:\Naper\01_04_2022\Exhibits\Exhibits - Building and Outlot\AutoTurn.dwg Updated By: JRM

DATE	REVISIONS	BY	CHK	APP
04-21-22	REVISED PER CITY REVIEW #2	JRM		
04-21-22				
04-21-22				
04-21-22				
04-21-22				
04-21-22				
04-21-22				
04-21-22				
04-21-22				
04-21-22				
04-21-22				
04-21-22				
04-21-22				
04-21-22				
04-21-22				
04-21-22				
04-21-22				
04-21-22				
04-21-22				
04-21-22				
04-21-22				
04-21-22				

Manhard
CONSULTING LTD.

1115 West Hillside, 3rd Floor
Naperville, Illinois 60563
TEL: 630-420-2300 FAX: 630-420-2301
WWW.MANHARDCONSULTING.COM

Manhard
CONSULTING LTD.
Civil Engineers • Surveyors • Water Resource Engineers • Water & Wastewater Engineers
Construction Managers • Environmental Scientists • Landscape Architects • Planners

REC. SEPTEMBER 17, 2020
PER DOC. R2020-10307

EASTGATE CROSSING - OUTLOT
CITY OF NAPERVILLE, ILLINOIS
AUTOTURN EXHIBIT - SU-40

PROJ. MGR.: KJC
 PROJ. ASSOC.: JRM
 DRAWN BY: JRM
 DATE: 04-21-22
 SCALE: 1"=30'

SHEET
3 OF **3**
 NCP.NVIL01

© 2022 MANHARD CONSULTING, LTD. ALL RIGHTS RESERVED.

INFORMATIONAL EXHIBIT - NOT FOR CONSTRUCTION