

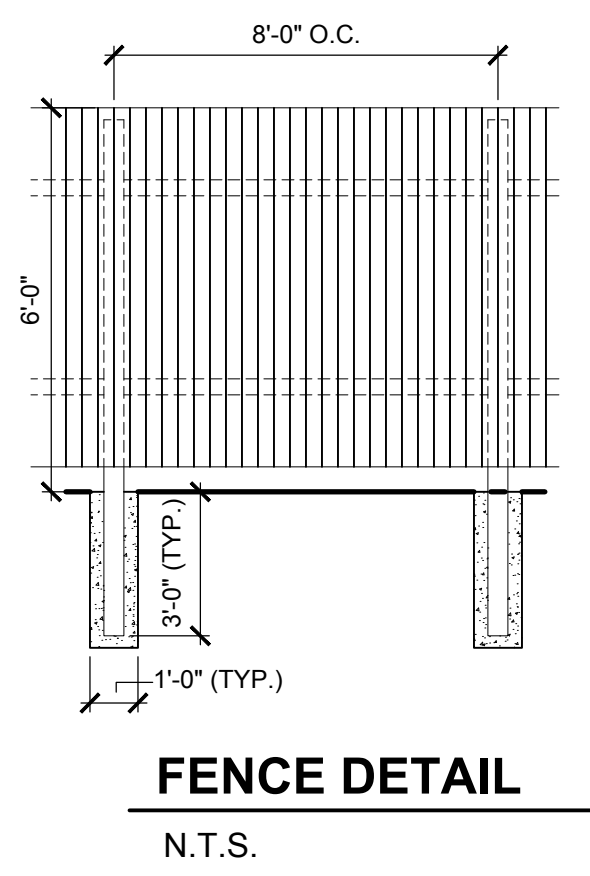
LEGEND	
	PROPOSED TREE
	PROPOSED ORNAMENTAL TREE
	PROPOSED SHRUB
	EXISTING TREE
	SITE FURNISHINGS

PLANT SCHEDULE						
KEY	QUANTITY	COMMON NAME	SCIENTIFIC NAME	SIZE	ROOTING	COMMENT
EXISTING TREES TO REMAIN						
AME	3	American Elm	Ulmus Americana	Existing	-	Existing
BAW	1	Black Walnut	Juglans Nigra	Existing	-	Existing
BOE	1	Box Elder	Acer Negundo	Existing	-	Existing
NOM	1	Norway Maple	Acer Platanoides	Existing	-	Existing
SIE	4	Siberian Elm	Ulmus Pumila	Existing	-	Existing
SIM	5	Silver Maple	Acer Saccharinum	Existing	-	Existing
PROPOSED PLANTS						
ALC	48	Alpine Currant	Ribes Alpinum	24"-30" In. Ht.	B&B	
GLS	24	Gro Low Sumac	Rhus Aromatica "Grow-Low"	24"-30" In. Sp.	B&B	
HMA	37	Hetz Midget Arborvitae	Thuja Occidentalis "Hetz Midget"	36"-42" In. Ht.	B&B	
PRD	103	Prairie Dropseed	Sporobolus Heterolepis	1 gal.	Container	
SHS	12	Shining Sumac	Rhus Coccinea	36"-42" In. Ht.	B&B	
TEA	12	Techny Arborvitae	Thuja Occidentalis "Techny"	6-7 Ft. Ht.	B&B	
DEY	12	Dense Yew	Taxus x Media "Densiforms"	30" In. Ht.	B&B	
PKO	58	Peachy Knock Out Rose	Rosa "Radgor"	1 Gal.	Container	
WKO	60	White Knock Out Rose	Rosa "Radwhite"	1 Gal.	Container	
BLH	6	Bloomstruck Hydrangea	Hydrangea arborescens "PIIHM-II"	24" In Ht.	Container	
SBR	12	Sonic Bloom Red Weigela	Hydrangea arborescens "PIIHM-II"	24" In Ht.	Container	
CAM	6	Catmint 'Cats' Meow	Nepeta Faassenii	24" In Ht.	Container	
GAB	8	Garden Sage 'Bumblesnow'	Salvia Nemorosa	24" In Ht.	Container	
BLT	3	Black Tupelo	Nysaa Sylvatica	2 1/2" In Cal.	B&B	
CAT	1	Catalpa	Catalpa Speciosa	2 1/2" In Cal.	B&B	
COH	6	Cockspur Hawthorn	Crataegus Cressgalli Var. Inermis	2 1/2" In Cal.	B&B	
FRM	4	Freeman Maple	Acer x Freemanii	2 1/2" In Cal.	B&B	
HEM	5	Hedge Maple	Acer Campestre	2 1/2" In Cal.	B&B	
HON	4	Honeylocust	Gleditsia Triacanthos var. Inermis	2 1/2" In Cal.	B&B	
IRO	3	Ironwood	Ostrya Virginiana	2 1/2" In Cal.	B&B	
SEB	3	Serviceberry	Quercus Bicolor	2 1/2" In Cal.	B&B	
SWO	3	Swamp White Oak	Quercus Bicolor	2 1/2" In Cal.	B&B	

**KNIGHT**

Knight E/A, Inc.  
631 E. Boughton Road  
Suite 205  
Bolingbrook, IL 60440  
Phone: (708) 342-1250  
knightea.com

US 34 (OGDEN AVENUE)



TYPE: WOOD FENCE  
COLOR: FENCE STAIN TO BE SHERWIN WILLIAMS  
COLOR TO BE SELECTED  
HEIGHT: 6'

PROPOSED 1-STORY  
CAR WASH  
6,300 SF  
35' x 180'

ONE STORY BRICK  
STARDUST MOTEL  
#820  
T/F=745.86  
ROOF=763.60

ONE STORY  
"K RESTAURANT  
#820

EMPLOYEE PARKING  
PROVIDE CLEAR ACCESS TO SNOW STORAGE AREA

BASIN TO BE SEEDED TO HWL

BASIN TO BE SEEDED TO HWL

12-31-20 PER CITY REVIEW

**LANDSCAPE PLAN**

7699.01 12-31-20

**LP-3**