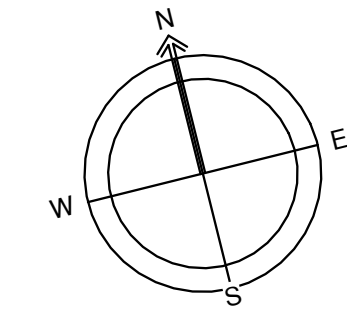


1 BUILDING - B1 LEVEL OVERALL
1" = 20'-0"



REVISIONS

CITY GATE II APARTMENTS
APARTMENT UNITS IN NAPERVILLE, IL

REVIEW PRINTS NOT TO BE USED FOR REGULATORY APPROVAL, PERMIT, OR CONSTRUCTION

HEDK ARCHITECTS
4595 EXCEL PKWY ADDISON, TX 75001
214.520.8878
hedk.com

DATE
04/22/2026

PROJECT
24190

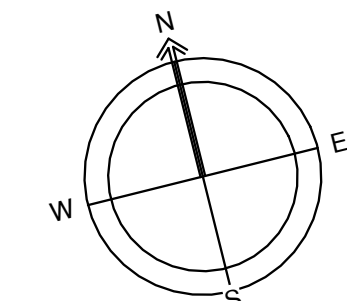
SHEET NUMBER
A3-11.B1

BLDG - LVL#B1 - OVERALL

COPYRIGHT © HEDK Architects ALL RIGHTS RESERVED



1 BUILDING - 1ST FLOOR
1" = 20'-0"



REVISIONS

CITY GATE II APARTMENTS
APARTMENT UNITS IN NAPERVILLE, IL

REVIEW PRINTS NOT TO BE USED FOR REGULATORY APPROVAL, PERMIT, OR CONSTRUCTION



DATE
04/22/2026

PROJECT
24190

SHEET NUMBER

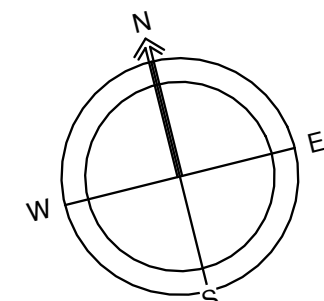
A3-11

BLDG. - LVL#1 - OVERALL

COPYRIGHT © HEDK Architects ALL RIGHTS RESERVED

1 BUILDING - 2ND FLOOR

1" = 20'-0"



REVISIONS

CITY GATE II APARTMENTS
APARTMENT UNITS IN NAPERVILLE, IL

REVIEW PRINTS NOT TO BE USED FOR REGULATORY APPROVAL, PERMIT, OR CONSTRUCTION



DATE
04/22/2026

PROJECT
24190

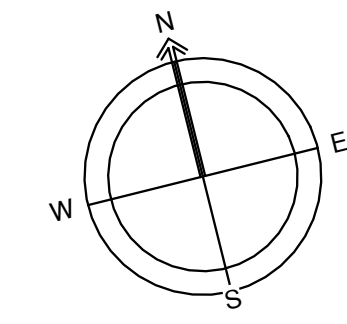
SHEET NUMBER
A3-12

BLDG. - LVL#2 - OVERALL

COPYRIGHT © HEDK Architects ALL RIGHTS RESERVED



1 BUILDING - 3RD FLOOR
1" = 20'-0"



REVISIONS

CITY GATE II APARTMENTS
APARTMENT UNITS IN NAPERVILLE, IL

REVIEW PRINTS NOT TO BE USED FOR REGULATORY APPROVAL, PERMIT, OR CONSTRUCTION

HEDK
ARCHITECTS
4595 EXCEL PKWY ADDISON, TX 75001
214.520.8878
hedk.com

DATE
04/22/2026

PROJECT
24190

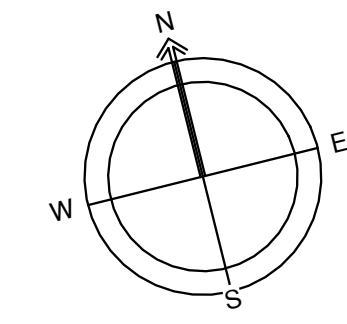
SHEET NUMBER

A3-13

BLDG. - LVL#3 - OVERALL

COPYRIGHT © HEDK Architects ALL RIGHTS RESERVED

1 BUILDING - 4TH FLOOR
1" = 20'-0"



COPYRIGHT © HEDK Architects ALL RIGHTS RESERVED

<p>REVISIONS</p>
<p>CITY GATE II APARTMENTS</p> <p>APARTMENT UNITS IN NAPERVILLE, IL</p>
<p>REVIEW PRINTS NOT TO BE USED FOR REGULATORY APPROVAL, PERMIT, OR CONSTRUCTION</p>
<p>HEDK ARCHITECTS</p> <p style="font-size: x-small;">4595 EXCEL PKWY ADDISON, TX 75001 214.520.8878 hedk.com</p>
<p>DATE 04/22/2026</p>
<p>PROJECT 24190</p>
<p>SHEET NUMBER A3-14</p>
<p>BLDG. - LVL#4 - OVERALL</p>