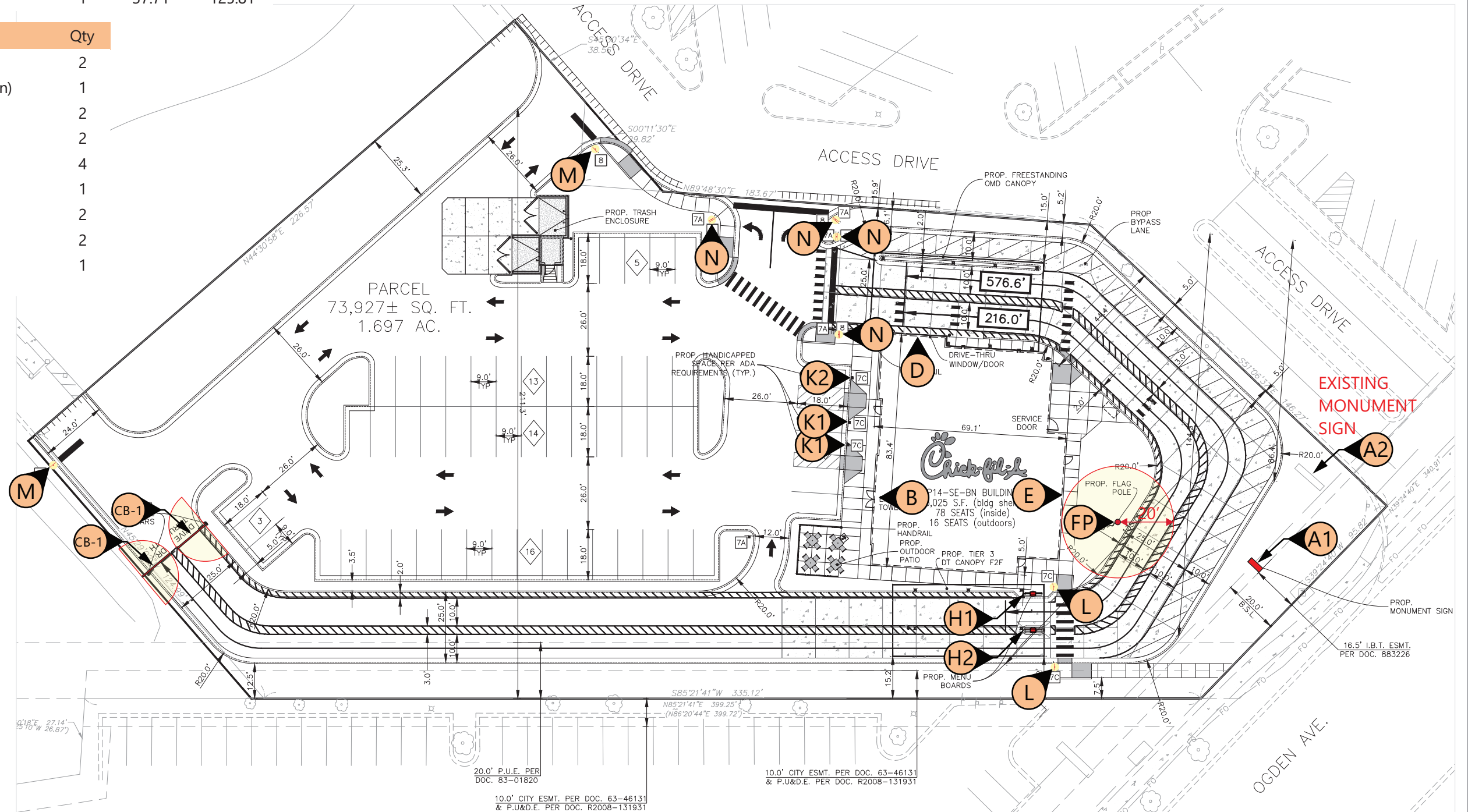


Item	Description	Qty	Sign Area	Allowed
A1	Main ID Sign	1	44.89	45.00
A2	Tenant Panels in Existing Monument	2	13.30	13.30
B	Wall Sign - Script 5.0' (red)	1	37.71	125.81
D	Wall Sign - Icon 6.0'	1	36.00	102.88
E	Wall Sign - Script 5.0' (red)	1	37.71	125.81

Item	Description	Qty
K1	DOT - Handicapped Parking	2
K2	DOT - Handicapped Parking (Van)	1
L	DOT - Pedestrian Sign	2
M	DOT - Stop (30")	2
N	DOT - Stop / Do Not Enter	4
O	DOT - Do Not Enter	1
H1-H2	Menu Board (Lane 1 and 2)	2
CB-1	Clearance Bar (single) 13.00'	2
FP	Flag pole (50')	1

WHEN FRONTING A MAJOR ARTERIAL:
TEN (10) FEET FROM THE FRONT
PROPERTY LINE. WHEN FRONTING ALL
OTHER ROAD CLASSIFICATIONS: FIVE (5)
FEET FROM THE FRONT PROPERTY LINE.
FROM AN INTERIOR PROPERTY LINE:
FORTY (40) FEET



5198 North Lake Drive
Lake City, GA 30260
404.361.3800
www.claytonsigns.com

SITE PLAN

DRAWING FILE - CFA - NAPERVILLE, IL SIGNAGE.CDR

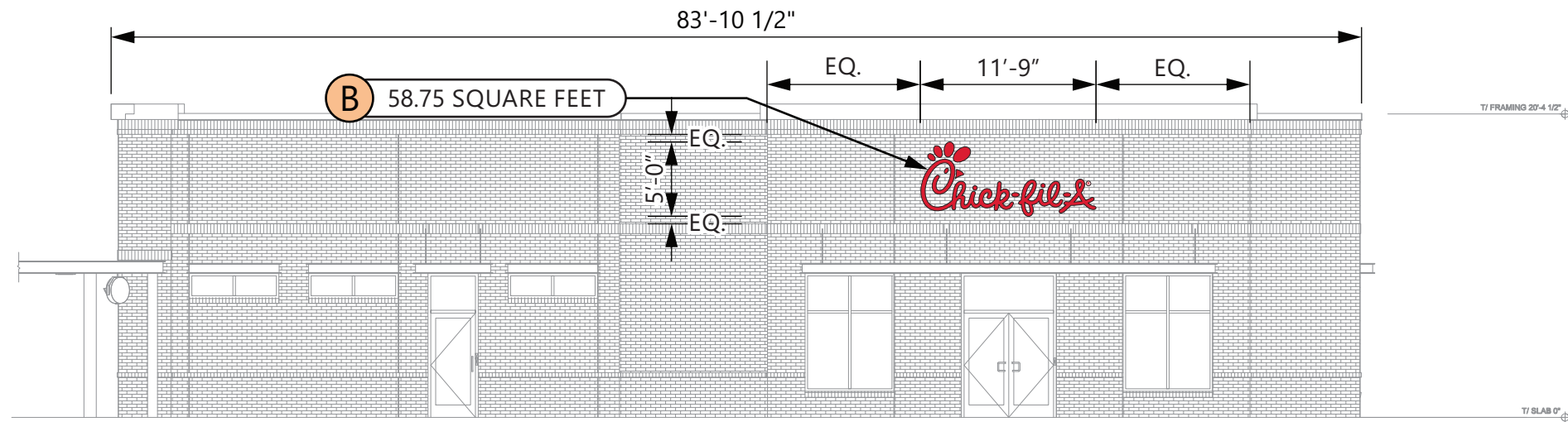
ALL ELECTRICAL
SIGNS ARE
120 VOLTS
UNLESS
OTHERWISE INDICATED

DRAWN BY Ben Holliday
ACCOUNT REP. Ben Holliday
DRAWING DATE September 13, 2023
REVISION DATE September 13, 2023

STORE NUMBER	STORE ADDRESS
L05590	Chick-fil-A at Naperville, IL 1163 E. Ogden Ave Naperville, Illinois 60563

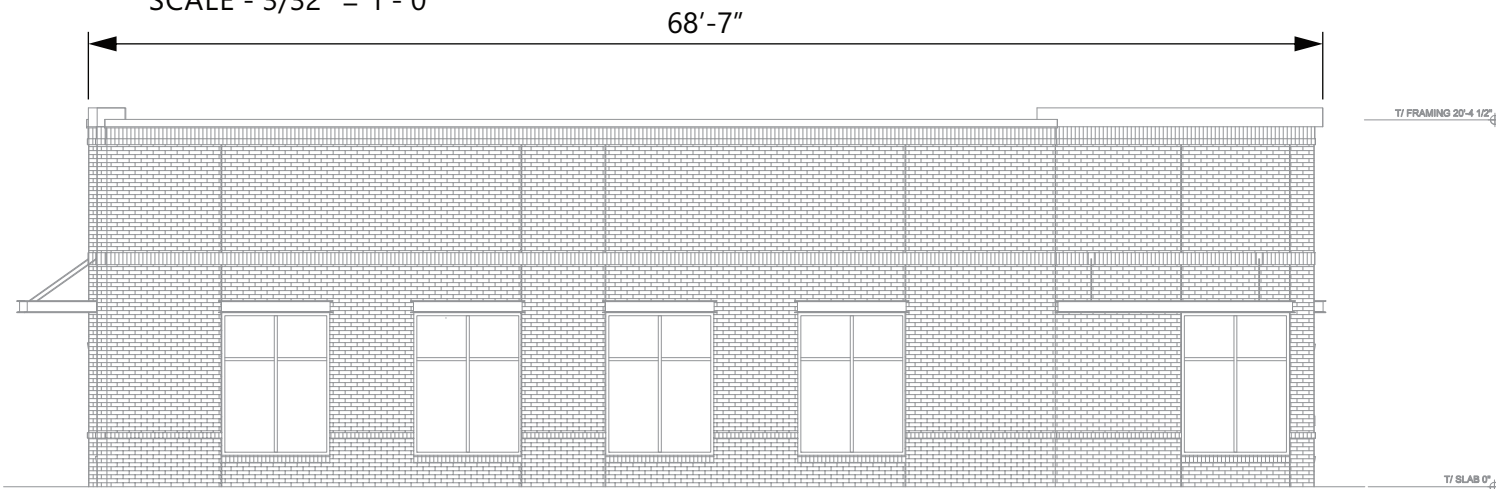
THIS DRAWING IS AN ORIGINAL, UNPUBLISHED DESIGN CREATED BY CLAYTON SIGNS, INC. IT IS NOT TO BE REPRODUCED, CHANGED, OR EXHIBITED TO ANYONE OUTSIDE OF YOUR COMPANY IN WHOLE OR IN PART WITHOUT WRITTEN PERMISSION FROM THE OWNER OF CLAYTON SIGNS, INC. ANY SUCH ACTIONS MAY BE SUBJECT TO LEGAL ACTION IN A COURT OF LAW.
©2023 ALL RIGHTS RESERVED

SITE
PLAN



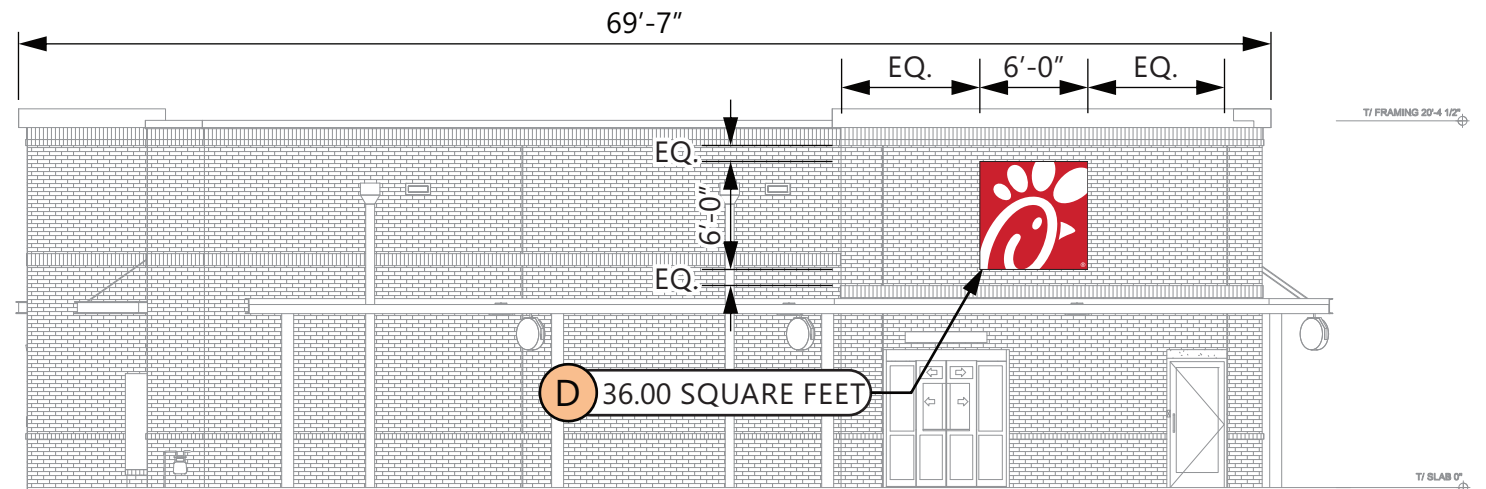
WEST ELEVATION

SCALE - 3/32" = 1'- 0"



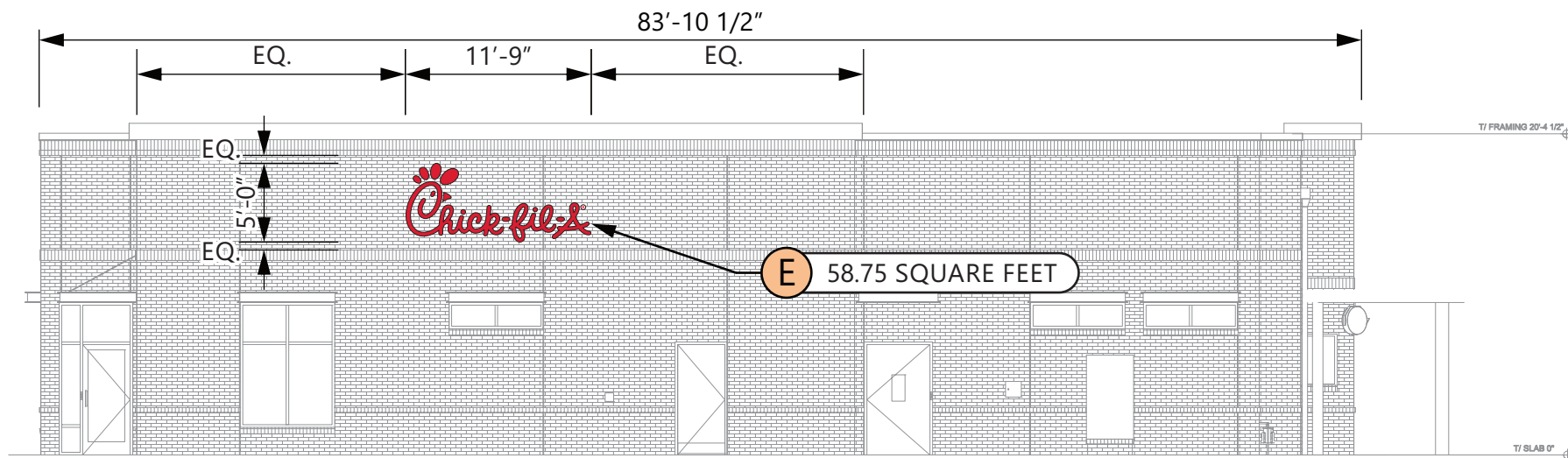
SOUTH ELEVATION

SCALE - 3/32" = 1'- 0"



NORTH ELEVATION

SCALE - 3/32" = 1'- 0"



EAST ELEVATION

SCALE - 3/32" = 1'- 0"



5198 North Lake Drive
Lake City, GA 30260
404.361.3800
www.claytonsigns.com

ELEVATIONS

DRAWING FILE - CFA - NAPERVILLE, IL SIGNAGE.CDR

ALL ELECTRICAL
SIGNS ARE
120 VOLTS
UNLESS
OTHERWISE INDICATED

DRAWN BY Ben Holliday
ACCOUNT REP. Ben Holliday
DRAWING DATE September 13, 2023
REVISION DATE September 13, 2023

STORE NUMBER	STORE ADDRESS
L05590	Chick-fil-A at Naperville, IL 1163 E. Ogden Ave Naperville, Illinois 60563

THIS DRAWING IS AN ORIGINAL, UNPUBLISHED DESIGN CREATED BY CLAYTON SIGNS, INC. IT IS NOT TO BE REPRODUCED, CHANGED, OR EXHIBITED TO ANYONE OUTSIDE OF YOUR COMPANY IN WHOLE OR IN PART WITHOUT WRITTEN PERMISSION FROM THE OWNER OF CLAYTON SIGNS, INC. ANY SUCH ACTIONS MAY BE SUBJECT TO LEGAL ACTION IN A COURT OF LAW.
©2023 ALL RIGHTS RESERVED

**BUILDING
ELEVATIONS**

SPECIFICATIONS

SIGN CABINET IS FABRICATED ALUMINUM INTERNALLY ILLUMINATED WITH WHITE LED 6500K LIGHTS, SPACED EVENLY. PAINT INTERIOR OF CABINETS MATTE WHITE.

MASONRY WORK AND CONCRETE PAD FOR MASONRY WORK IS FURNISHED BY THE GENERAL CONTRACTOR SIGN FOUNDATION IS FURNISHED BY CLAYTON SIGNS, INC.

NOTE: RED IS PART OF THE LOGO AND WILL BE ILLUMINATED IN ACCORDANCE WITH SECTION 6-16-8:2 ILLUMINATION WILL NOT EXCEED 30 FOOTCANDLES AT 4 FEET FROM FACE PER SECTION 6-16-8:4.



ELEVATION
SCALE - 1/2" = 1'- 0"

ELEVATION
SCALE - 1/2" = 1'- 0"

3M #3630-53 TRANSLUCENT CARDINAL RED TENSION FRAME COVER TO BE PAINTED GENESIS M SINGLE STAGE (G2-SERIES) RED #48247

WHITE BLEED 3M PANOGRAPHIC III FLEX FACE W/ .125" #7328 WHITE PLEX

PAINTED MATTHEWS #74155 DARK BRONZE, SEMI-GLOSS

MASONRY TO MATCH BUILDING

	DOUBLE FACED CABINET LED'S GEWHOSP6-71K -DOUBLE SIDED POWER SUPPLY GEPS24 - 24V POWER SUPPLY		WET LOCATION CONNECT THE AC LINE TO THE BLACK (LINE) AND WHITE (NEUTRAL) INPUT WIRES OF THE POWER SUPPLY USING 18-14 AWG TWIST ON WIRE CONNECTORS. GROUND POWER SUPPLY GREEN WIRE TO GROUNDING SCREW. REPLACE JUNCTION BOX COVER.

THIS SIGN IS INTENDED TO BE INSTALLED IN ACCORDANCE WITH REQUIREMENTS OF ARTICLE 600 OF THE NATIONAL ELECTRICAL CODE AND/OR APPLICABLE LOCAL CODES. THIS INCLUDES PROPER GROUNDING & BONDING OF THE SIGN.

5198 North Lake Drive
Lake City, GA 30260
404.361.3800
www.claytonsigns.com

MONUMENT SIGN
DRAWING FILE - CFA - NAPERVILLE, IL SIGNAGE.CDR

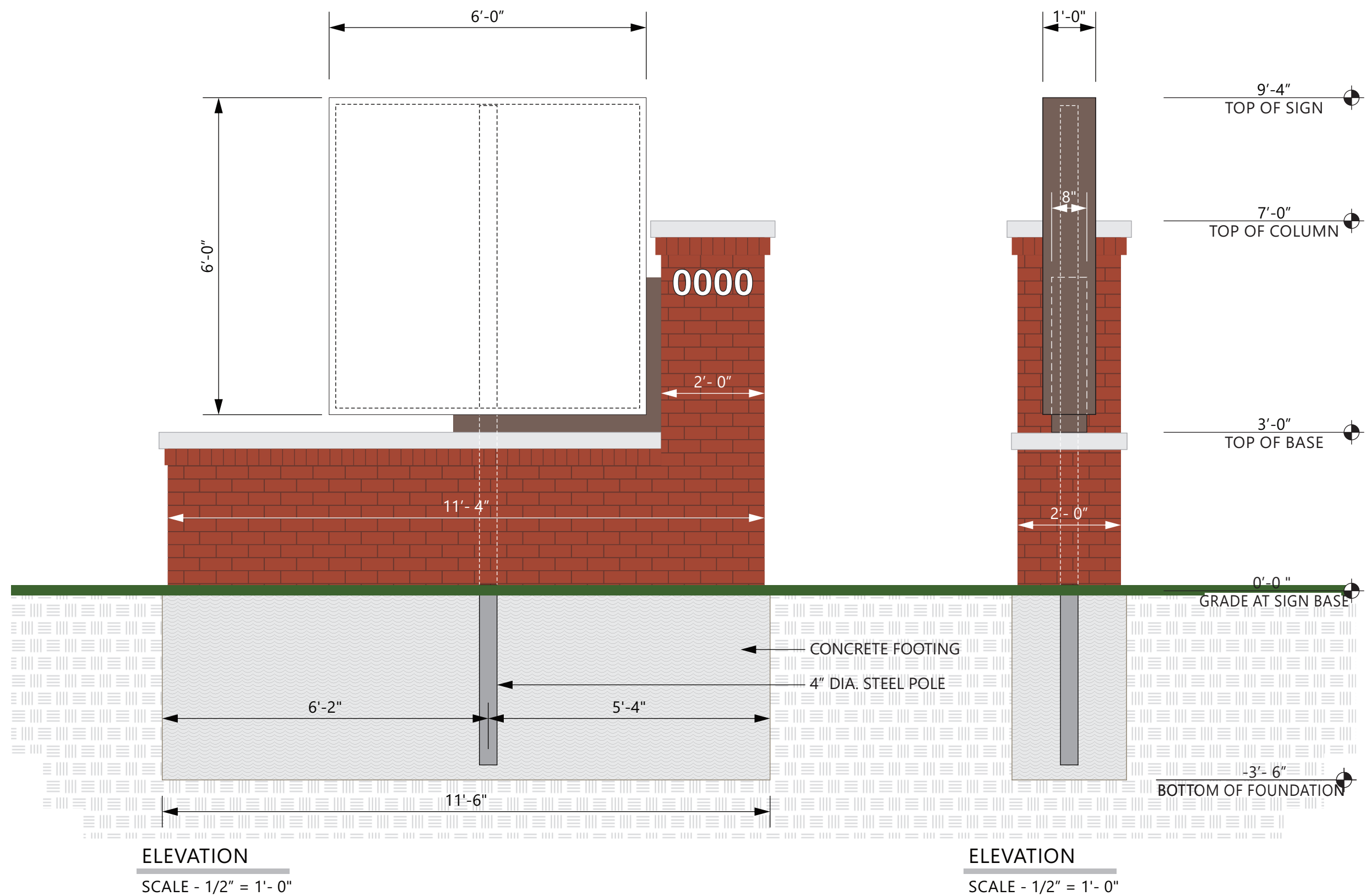
ALL ELECTRICAL SIGNS ARE 120 VOLTS UNLESS OTHERWISE INDICATED

DRAWN BY Ben Holliday
ACCOUNT REP. Ben Holliday
DRAWING DATE September 13, 2023
REVISION DATE September 13, 2023

STORE NUMBER	STORE ADDRESS
L05590	Chick-fil-A at Naperville, IL 1163 E. Ogden Ave Naperville, Illinois 60563

THIS DRAWING IS AN ORIGINAL, UNPUBLISHED DESIGN CREATED BY CLAYTON SIGNS, INC. IT IS NOT TO BE REPRODUCED, CHANGED, OR EXHIBITED TO ANYONE OUTSIDE OF YOUR COMPANY IN WHOLE OR IN PART WITHOUT WRITTEN PERMISSION FROM THE OWNER OF CLAYTON SIGNS, INC. ANY SUCH ACTIONS MAY BE SUBJECT TO LEGAL ACTION IN A COURT OF LAW.
©2023 ALL RIGHTS RESERVED

LOCATION
A1



ELEVATION
SCALE - 1/2" = 1'- 0"

ELEVATION
SCALE - 1/2" = 1'- 0"



5198 North Lake Drive
Lake City, GA 30260
404.361.3800
www.claytonsigns.com

MONUMENT SIGN FOUNDATIONS

DRAWING FILE - CFA - NAPERVILLE, IL SIGNAGE.CDR

ALL ELECTRICAL SIGNS ARE 120 VOLTS UNLESS OTHERWISE INDICATED

DRAWN BY Ben Holliday
ACCOUNT REP. Ben Holliday
DRAWING DATE September 13, 2023
REVISION DATE September 13, 2023

STORE NUMBER	STORE ADDRESS
L05590	Chick-fil-A at Naperville, IL 1163 E. Ogden Ave Naperville, Illinois 60563

THIS DRAWING IS AN ORIGINAL, UNPUBLISHED DESIGN CREATED BY CLAYTON SIGNS, INC. IT IS NOT TO BE REPRODUCED, CHANGED, OR EXHIBITED TO ANYONE OUTSIDE OF YOUR COMPANY IN WHOLE OR IN PART WITHOUT WRITTEN PERMISSION FROM THE OWNER OF CLAYTON SIGNS, INC. ANY SUCH ACTIONS MAY BE SUBJECT TO LEGAL ACTION IN A COURT OF LAW.
©2023 ALL RIGHTS RESERVED

LOCATION
A1

SPECIFICATIONS

WHITE ACRYLIC FACE DECORATED WITH VINYL FILM GRAPHICS. FACES TO BE IN SAME POSITION ON BOTH SIDES OF EXISTING DOUBLE-FACED SIGN.



3M #3630-53 TRANSLUCENT CARDINAL RED

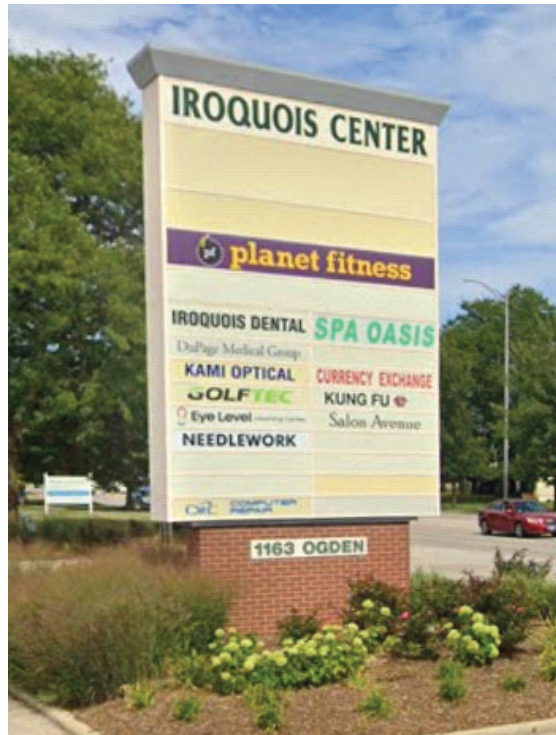


7328 WHITE ACRYLIC



ELEVATION

NOT TO SCALE



BEFORE



AFTER



5198 North Lake Drive
Lake City, GA 30260
404.361.3800
www.claytonsigns.com

TENANT SIGN

DRAWING FILE - CFA - NAPERVILLE, IL SIGNAGE.CDR

ALL ELECTRICAL
SIGNS ARE
120 VOLTS
UNLESS
OTHERWISE INDICATED

DRAWN BY Ben Holliday
ACCOUNT REP. Ben Holliday
DRAWING DATE September 13, 2023
REVISION DATE September 13, 2023

STORE NUMBER	STORE ADDRESS
L05590	Chick-fil-A at Naperville, IL 1163 E. Ogden Ave Naperville, Illinois 60563

THIS DRAWING IS AN ORIGINAL, UNPUBLISHED DESIGN CREATED BY CLAYTON SIGNS, INC. IT IS NOT TO BE REPRODUCED, CHANGED, OR EXHIBITED TO ANYONE OUTSIDE OF YOUR COMPANY IN WHOLE OR IN PART WITHOUT WRITTEN PERMISSION FROM THE OWNER OF CLAYTON SIGNS, INC. ANY SUCH ACTIONS MAY BE SUBJECT TO LEGAL ACTION IN A COURT OF LAW.
©2023 ALL RIGHTS RESERVED

LOCATION

A2

NOTE: ILLUMINATION WILL NOT EXCEED 30 FOOTCANDLES AT 4 FEET FROM FACE PER SECTION 6-16-8:4.

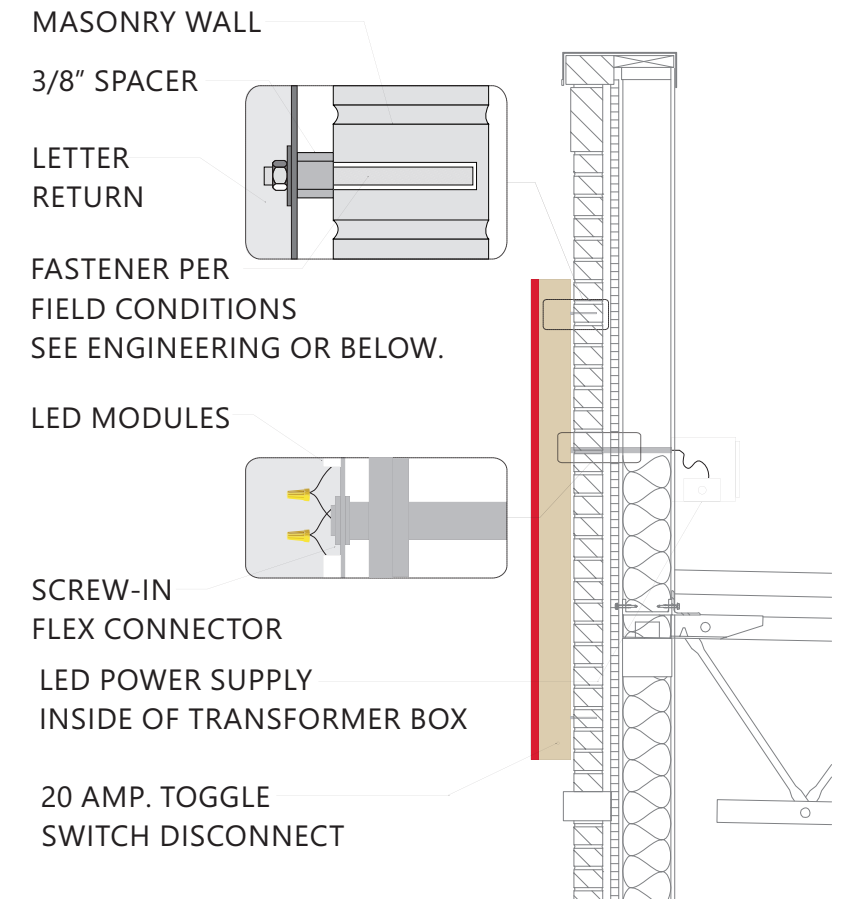
SPECIFICATIONS

CHICK-FIL-A SCRIPT LETTERS
 LETTERS ARE LED-ILLUMINATED
 CHANNEL LETTERS MOUNTED
 ON ALUMINUM SURFACE OF BUILDING
 WITH TRANSFORMERS REMOTELY
 LOCATED BEHIND THE WALL IN
 UL APPROVED TRANSFORMER BOXES.
 FACES ARE 3/16" ACRYLIC
 RETURNS ARE .063 ALUMINUM
 BACKS ARE .080 ALUMINUM
 ALL RETURNS ARE ARC-WELDED TO
 LETTER BACKS

-  CHANNEL LETTER FACES
 2793 RED ACRYLIC
 TRIMCAP RETAINER-
 1" RED JEWELITE TRIMCAP
-  ALUMINUM RETURNS
 PAINTED TO MATCH
 SHERWIN WILLIAMS
 SW6108 LATTE



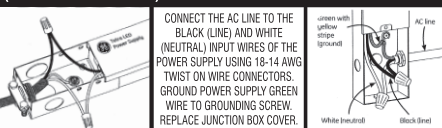


ELEVATION
 SCALE - 1/2" = 1'- 0"



FASTENER NOTE:
 USE 18-8 STAINLESS STEEL BOLTS W/ SPACERS THRU EIFS.
 EXPANSION BOLTS IN CONCRETE OR BRICK WALLS.
 TOGGLE BOLTS IN CONCRETE BLOCK OR PANEL WALLS.
 TEK SCREWS IN METAL STUDS. LAG-BOLTS IN WOOD STUDS.
 ALL THREAD BOLTS WITH BLOCKING BETWEEN STUDS.

CROSS-SECTION
 SCALE - 1/2" = 1'- 0"

 CLAYTON Signs 	CHANNEL LETTERS (RED ILLUMINATION) LED's JTSL5016R-0.4 RED LED POWER SUPPLY BL-120-12-60 POWER SUPPLY	WET LOCATION 
	CONNECT THE AC LINE TO THE BLACK (LINE) AND WHITE (NEUTRAL) INPUT WIRES OF THE POWER SUPPLY USING 18-14 AWG TWIST ON WIRE CONNECTORS. GROUND POWER SUPPLY GREEN WIRE TO GROUNDING SCREW. REPLACE JUNCTION BOX COVER.	
THIS SIGN IS INTENDED TO BE INSTALLED IN ACCORDANCE WITH REQUIREMENTS OF ARTICLE 600 OF THE NATIONAL ELECTRICAL CODE AND/OR APPLICABLE LOCAL CODES. THIS INCLUDES PROPER GROUNDING & BONDING OF THE SIGN.		



5198 North Lake Drive
 Lake City, GA 30260
 404.361.3800
 www.claytonsigns.com

LED-ILLUMINATED
 CHANNEL LETTERS

DRAWING FILE - CFA - NAPERVILLE, IL SIGNAGE.CDR

ALL ELECTRICAL
 SIGNS ARE
 120 VOLTS
 UNLESS
 OTHERWISE INDICATED

DRAWN BY Ben Holliday
 ACCOUNT REP. Ben Holliday
 DRAWING DATE September 13, 2023
 REVISION DATE September 13, 2023

STORE NUMBER	STORE ADDRESS
L05590	Chick-fil-A at Naperville, IL 1163 E. Ogden Ave Naperville, Illinois 60563

THIS DRAWING IS AN ORIGINAL, UNPUBLISHED DESIGN CREATED BY CLAYTON SIGNS, INC. IT IS NOT TO BE REPRODUCED, CHANGED, OR EXHIBITED TO ANYONE OUTSIDE OF YOUR COMPANY IN WHOLE OR IN PART WITHOUT WRITTEN PERMISSION FROM THE OWNER OF CLAYTON SIGNS, INC. ANY SUCH ACTIONS MAY BE SUBJECT TO LEGAL ACTION IN A COURT OF LAW.
 ©2023 ALL RIGHTS RESERVED

LOCATION
B,E

SPECIFICATIONS

CABINET

ALUMINUM CABINET HAS EXTRUDED ALUMINUM

FACES

FLEX FACES DECORATED WITH TRANSLUCENT VINYL FILM ON SURFACE OF ACRYLIC.

INTERNALLY ILLUMINATED WITH WHITE LED 6500K LIGHTS.

DISCONNECT SWITCH AS REQUIRED PER NEC.

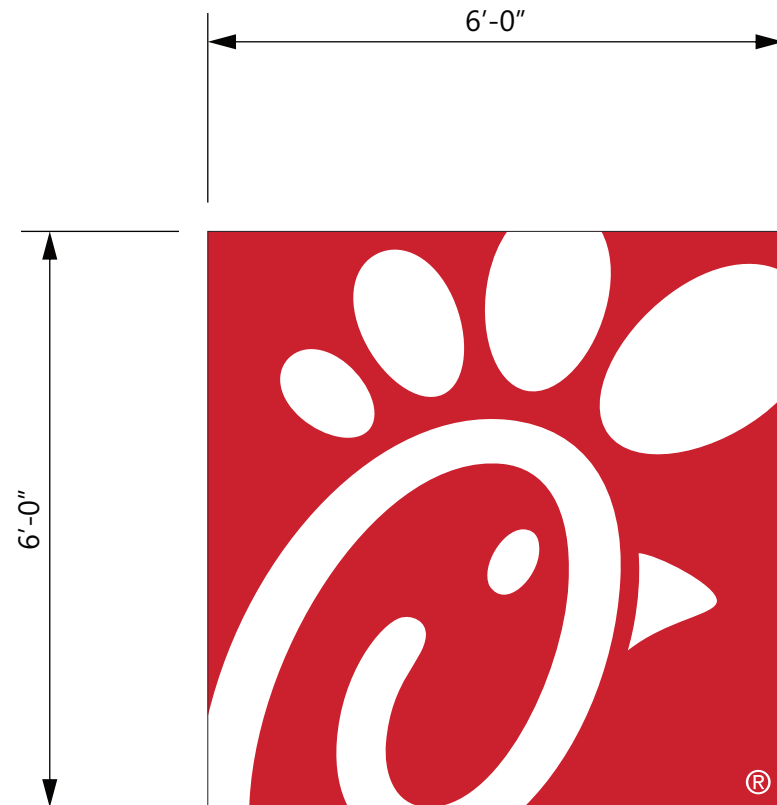
FACES

3M #3630-53 CARDINAL RED TRANSLUCENT VINYL

CABINET

GENESIS M SINGLE STAGE (G2-SERIES) RED #48247

3M PANOGRAPHIC III FLEX FACE

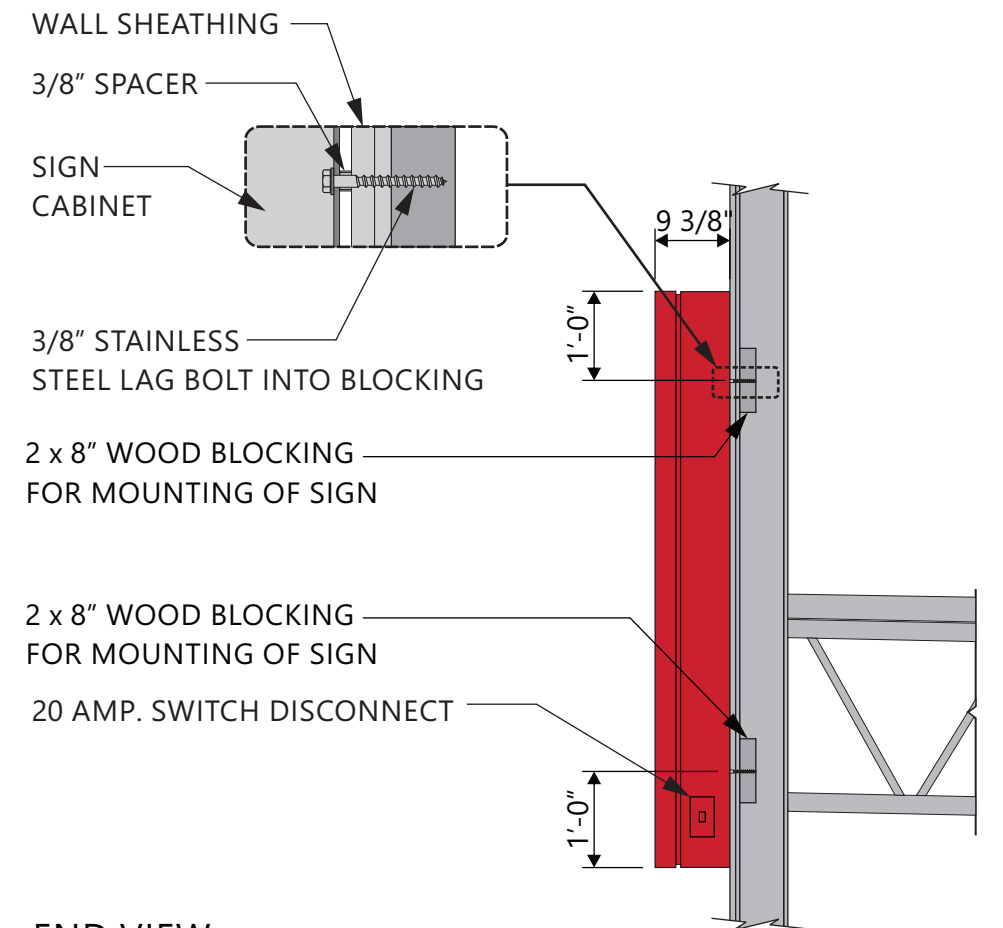


ELEVATION

SCALE - 1/2" = 1'- 0"

36.00 SQUARE FEET

NOTE: ILLUMINATION WILL NOT EXCEED 30 FOOTCANDLES AT 4 FEET FROM FACE PER SECTION 6-16-8:4.



END VIEW

SCALE - 1/2" = 1'- 0"

	SINGLE FACED CABINET		WET LOCATION
	LED'S GEVHSSPS3 - 71K - SINGLED SID POWER SUPPLY GEPST2 - 12V POWER SUPPLY		CONNECT THE AC LINE TO THE BLACK (LINE) AND WHITE (NEUTRAL) INPUT WIRES OF THE POWER SUPPLY USING 18-14 AWG TWIST ON WIRE CONNECTORS. GROUND POWER SUPPLY GREEN WIRE TO GROUNDING SCREW. REPLACE JUNCTION BOX COVER.
THIS SIGN IS INTENDED TO BE INSTALLED IN ACCORDANCE WITH REQUIREMENTS OF ARTICLE 600 OF THE NATIONAL ELECTRICAL CODE AND/OR APPLICABLE LOCAL CODES. THIS INCLUDES PROPER GROUNDING & BONDING OF THE SIGN.			



5198 North Lake Drive
 Lake City, GA 30260
 404.361.3800
 www.claytonsigns.com

WALL SIGN

DRAWING FILE - CFA - NAPERVILLE, IL SIGNAGE.CDR

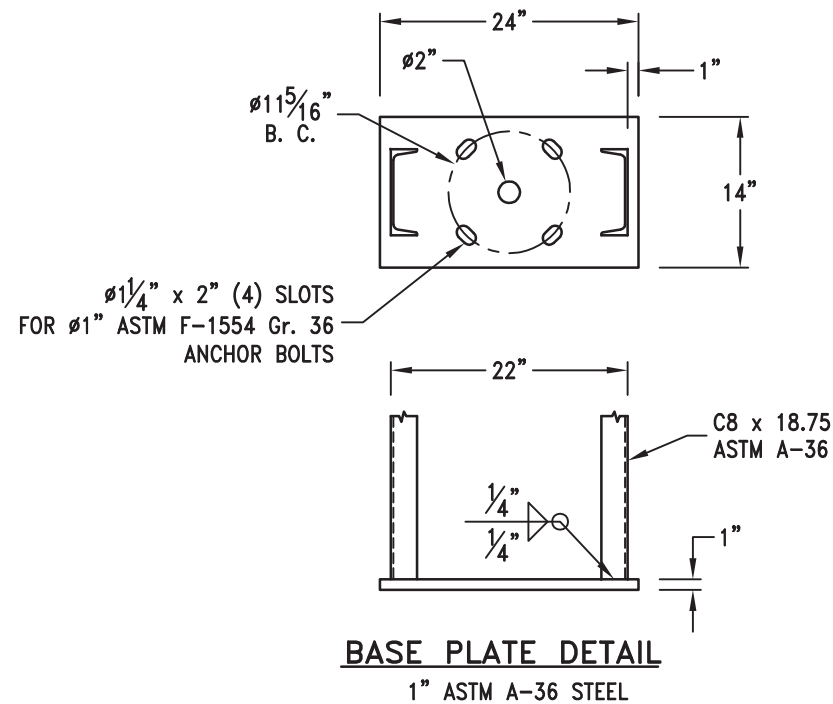
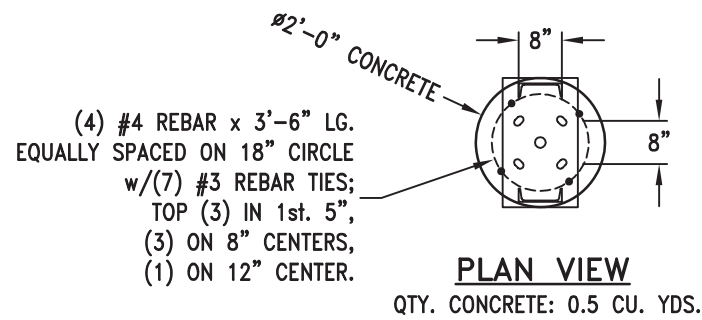
ALL ELECTRICAL SIGNS ARE 120 VOLTS UNLESS OTHERWISE INDICATED

DRAWN BY Ben Holliday
 ACCOUNT REP. Ben Holliday
 DRAWING DATE September 13, 2023
 REVISION DATE September 13, 2023

STORE NUMBER	STORE ADDRESS
L05590	Chick-fil-A at Naperville, IL 1163 E. Ogden Ave Naperville, Illinois 60563

THIS DRAWING IS AN ORIGINAL, UNPUBLISHED DESIGN CREATED BY CLAYTON SIGNS, INC. IT IS NOT TO BE REPRODUCED, CHANGED, OR EXHIBITED TO ANYONE OUTSIDE OF YOUR COMPANY IN WHOLE OR IN PART WITHOUT WRITTEN PERMISSION FROM THE OWNER OF CLAYTON SIGNS, INC. ANY SUCH ACTIONS MAY BE SUBJECT TO LEGAL ACTION IN A COURT OF LAW.
 ©2023 ALL RIGHTS RESERVED

LOCATION
D

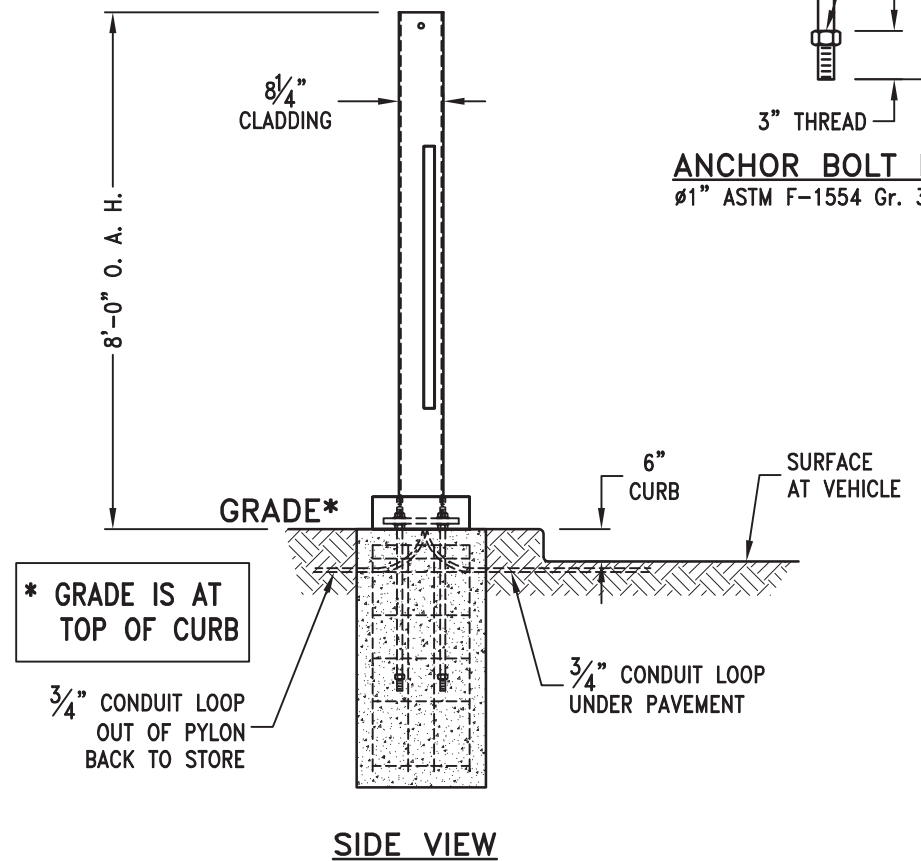
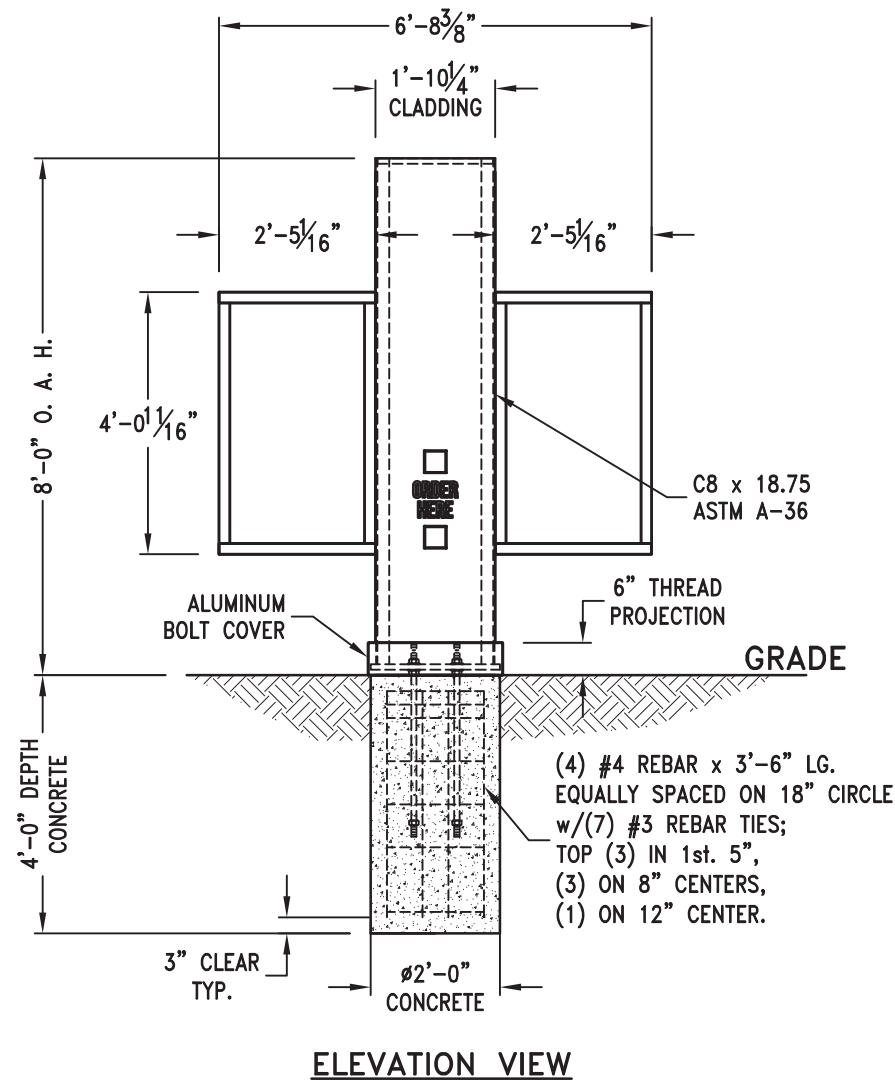


FOUNDATION DESIGN NOTES:

- Concrete shall have a minimum compressive strength of 3000 PSI at 28 days.
- Reinforcing steel shall be ASTM A-615 Gr. 60.
- Caisson footing designed using a soil bearing force of 150 PSF per foot Lateral. If this soil condition does not exist, it is the Erector's responsibility to have a new footing designed for the existing soil conditions by a Licensed Engineer.
- Anchor bolts shall be ASTM F-1554 Gr. 36 steel.

DESIGN WIND LOAD:

Based on the 2015 International Building Code (ASCE 7-10) using Risk Category II, Exposure C and 115 mph wind speed.



ANCHOR BOLT DETAIL
Ø1" ASTM F-1554 Gr. 36 STEEL



5198 North Lake Drive
Lake City, GA 30260
404.361.3800
www.claytonsigns.com

**STATIC DIGITAL DRIVE-THRU
MENU BOARDS**

DRAWING FILE - CFA - NAPERVILLE, IL SIGNAGE.CDR

ALL ELECTRICAL
SIGNS ARE
120 VOLTS
UNLESS
OTHERWISE INDICATED

DRAWN BY Ben Holliday
ACCOUNT REP. Ben Holliday
DRAWING DATE September 13, 2023
REVISION DATE September 13, 2023

STORE NUMBER	STORE ADDRESS
L05590	Chick-fil-A at Naperville, IL 1163 E. Ogden Ave Naperville, Illinois 60563

THIS DRAWING IS AN ORIGINAL, UNPUBLISHED DESIGN CREATED BY CLAYTON SIGNS, INC. IT IS NOT TO BE REPRODUCED, CHANGED, OR EXHIBITED TO ANYONE OUTSIDE OF YOUR COMPANY IN WHOLE OR IN PART WITHOUT WRITTEN PERMISSION FROM THE OWNER OF CLAYTON SIGNS, INC. ANY SUCH ACTIONS MAY BE SUBJECT TO LEGAL ACTION IN A COURT OF LAW.
©2023 ALL RIGHTS RESERVED

**LOCATION
H1/H2**

SPECIFICATIONS

SIGN PANELS

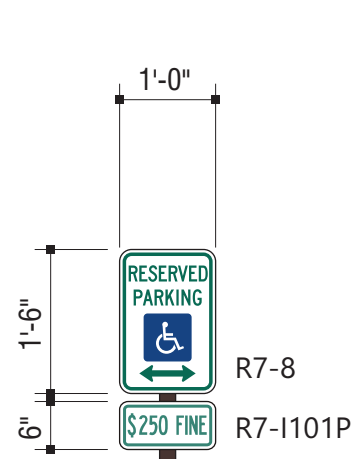
PANELS ARE .080 ALUMINUM WITH REFLECTIVE BACKGROUND AND GRAPHICS.

SIGN POSTS

POSTS ARE 2" x 2" SQUARE ALUMINUM TUBING CAPPED ON TOP

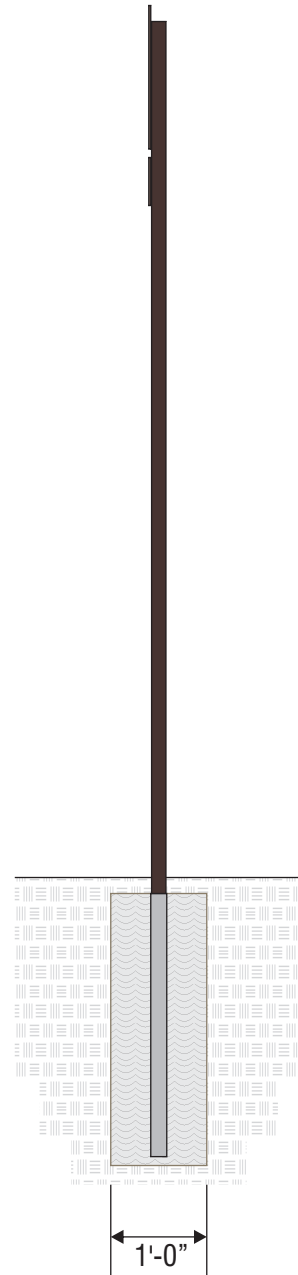


BACK OF SIGN PANEL AND POST
MP 20181 DARK BRONZE
SW #DDM460012



ELEVATION

SCALE - 1/2" = 1'- 0"



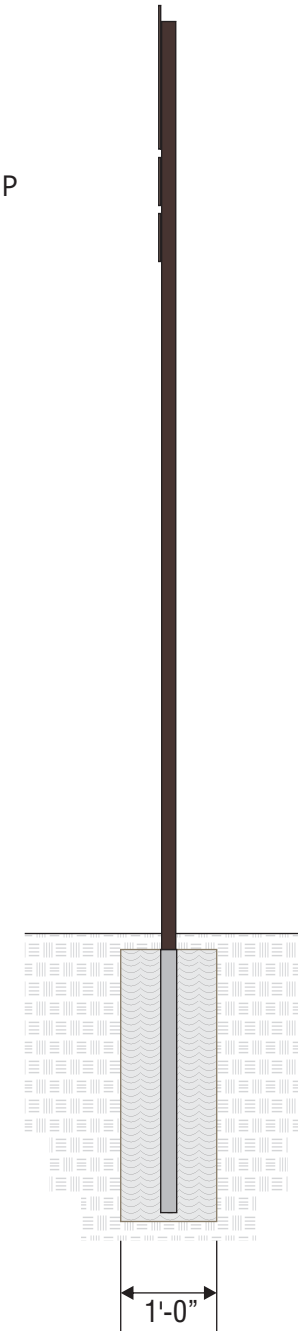
END VIEW

SCALE - 1/2" = 1'- 0"



ELEVATION

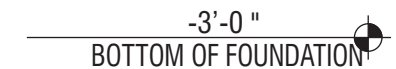
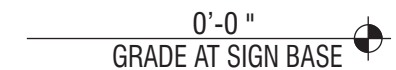
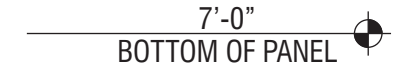
SCALE - 1/2" = 1'- 0"



END VIEW

SCALE - 1/2" = 1'- 0"

NOTE: IF THIS SIGN IS LOCATED ON THE SIDEWALK THEN IT IS THE RESPONSIBILITY OF THE GENERAL CONTRACTOR TO INSTALL A PVC SLEEVE INTO THE CONCRETE WHEN THE SIDEWALK IS POURED PRIOR TO INSTALLATION OF THE SIGN BY CLAYTON SIGNS.



ILLINOIS STANDARD R7-I101P



COLOR LEGEND AND BORDER BACKGROUND GREEN WHITE REFLECTORIZED REFLECTORIZED

SIGN SIZE	DIMENSIONS				
	A	B	C	D	E
12 X 6	12.00	6.00	1.50	10.00	4.25

SIGN SIZE	SERIES BY LINE		
	MARGIN	BORDER	
12 X 6	2.5 B	0.375	0.438

All dimensions in inches. Sign not to scale.

Where a fine in excess of \$250 is established by an agency in accordance with the statutes, the actual amount of the fine should be shown.

This plate may be mounted directly below the R7-8 sign or combined with that sign on a single 12 inch by 24 inch sign (R7-I101).



5198 North Lake Drive
Lake City, GA 30260
404.361.3800
www.claytonsigns.com

DOT REGULATORY TRAFFIC SIGNS

DRAWING FILE - CFA - NAPERVILLE, IL SIGNAGE.CDR

ALL ELECTRICAL SIGNS ARE 120 VOLTS UNLESS OTHERWISE INDICATED

DRAWN BY Ben Holliday
ACCOUNT REP. Ben Holliday
DRAWING DATE September 13, 2023
REVISION DATE September 13, 2023

STORE NUMBER	STORE ADDRESS
L05590	Chick-fil-A at Naperville, IL 1163 E. Ogden Ave Naperville, Illinois 60563

THIS DRAWING IS AN ORIGINAL, UNPUBLISHED DESIGN CREATED BY CLAYTON SIGNS, INC. IT IS NOT TO BE REPRODUCED, CHANGED, OR EXHIBITED TO ANYONE OUTSIDE OF YOUR COMPANY IN WHOLE OR IN PART WITHOUT WRITTEN PERMISSION FROM THE OWNER OF CLAYTON SIGNS, INC. ANY SUCH ACTIONS MAY BE SUBJECT TO LEGAL ACTION IN A COURT OF LAW.
©2023 ALL RIGHTS RESERVED

LOCATION
K1/K2

SPECIFICATIONS

SIGN PANELS

SIGNS PANELS

PANELS ARE .080" ALUMINUM. BACKS TO BE PAINTED TO MATCH POSTS.

POSTS ARE 2" x 2" SQUARE ALUMINUM TUBING CAPPED ON TOP



BACK OF SIGN PANEL AND POST

MP 20181 DARK BRONZE

SW #DDM460012



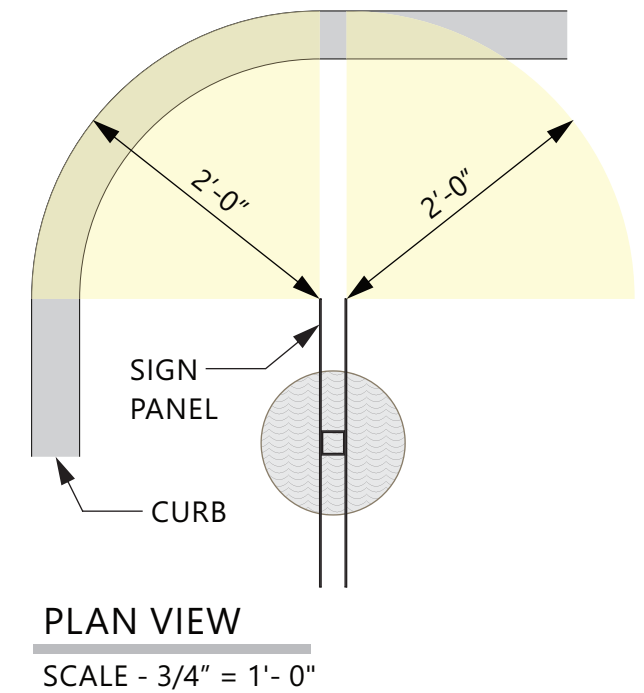
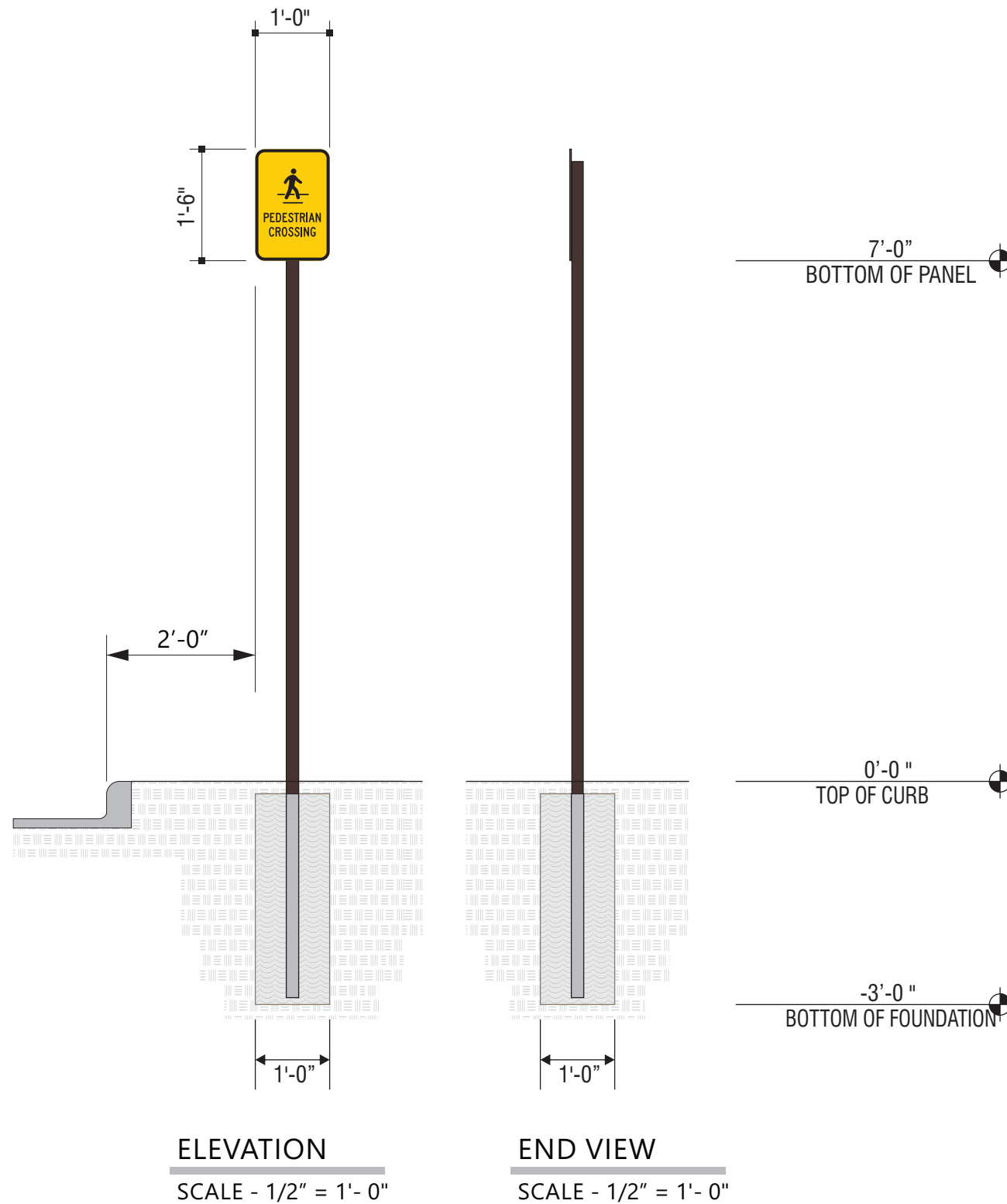
SIGN PANEL (IF SHOWN)

BLACK REFLECTIVE



SIGN PANEL (IF SHOWN)

3M 680-81 YELLOW REFLECTIVE



5198 North Lake Drive
Lake City, GA 30260
404.361.3800
www.claytonsigns.com

DOT REGULATORY TRAFFIC SIGNS

DRAWING FILE - CFA - NAPERVILLE, IL SIGNAGE.CDR

ALL ELECTRICAL
SIGNS ARE
120 VOLTS
UNLESS
OTHERWISE INDICATED

DRAWN BY Ben Holliday
ACCOUNT REP. Ben Holliday
DRAWING DATE September 13, 2023
REVISION DATE September 13, 2023

STORE NUMBER	STORE ADDRESS
L05590	Chick-fil-A at Naperville, IL 1163 E. Ogden Ave Naperville, Illinois 60563

THIS DRAWING IS AN ORIGINAL, UNPUBLISHED DESIGN CREATED BY CLAYTON SIGNS, INC. IT IS NOT TO BE REPRODUCED, CHANGED, OR EXHIBITED TO ANYONE OUTSIDE OF YOUR COMPANY IN WHOLE OR IN PART WITHOUT WRITTEN PERMISSION FROM THE OWNER OF CLAYTON SIGNS, INC. ANY SUCH ACTIONS MAY BE SUBJECT TO LEGAL ACTION IN A COURT OF LAW.
©2023 ALL RIGHTS RESERVED

LOCATION

L

SPECIFICATIONS

SIGN PANELS

PANELS ARE .080 ALUMINUM WITH REFLECTIVE BACKGROUND AND GRAPHICS.

SIGN POSTS

POSTS ARE 2" x 2" SQUARE ALUMINUM TUBING CAPPED ON TOP



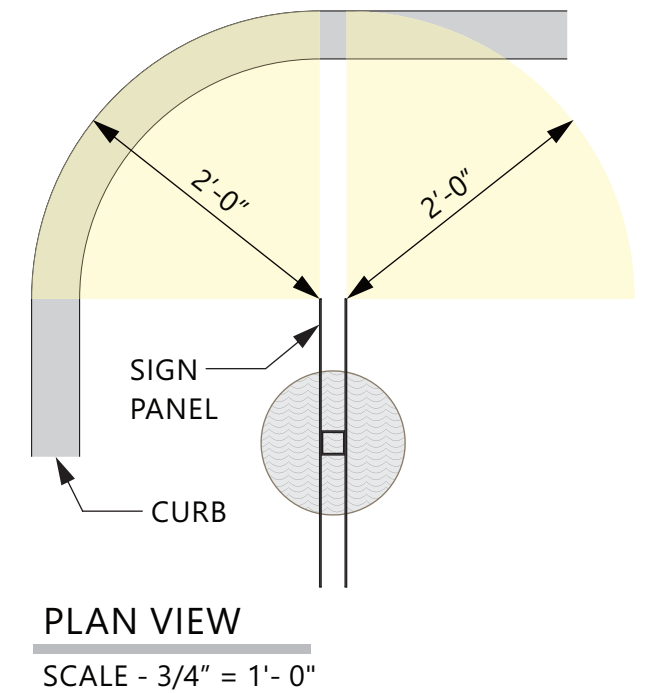
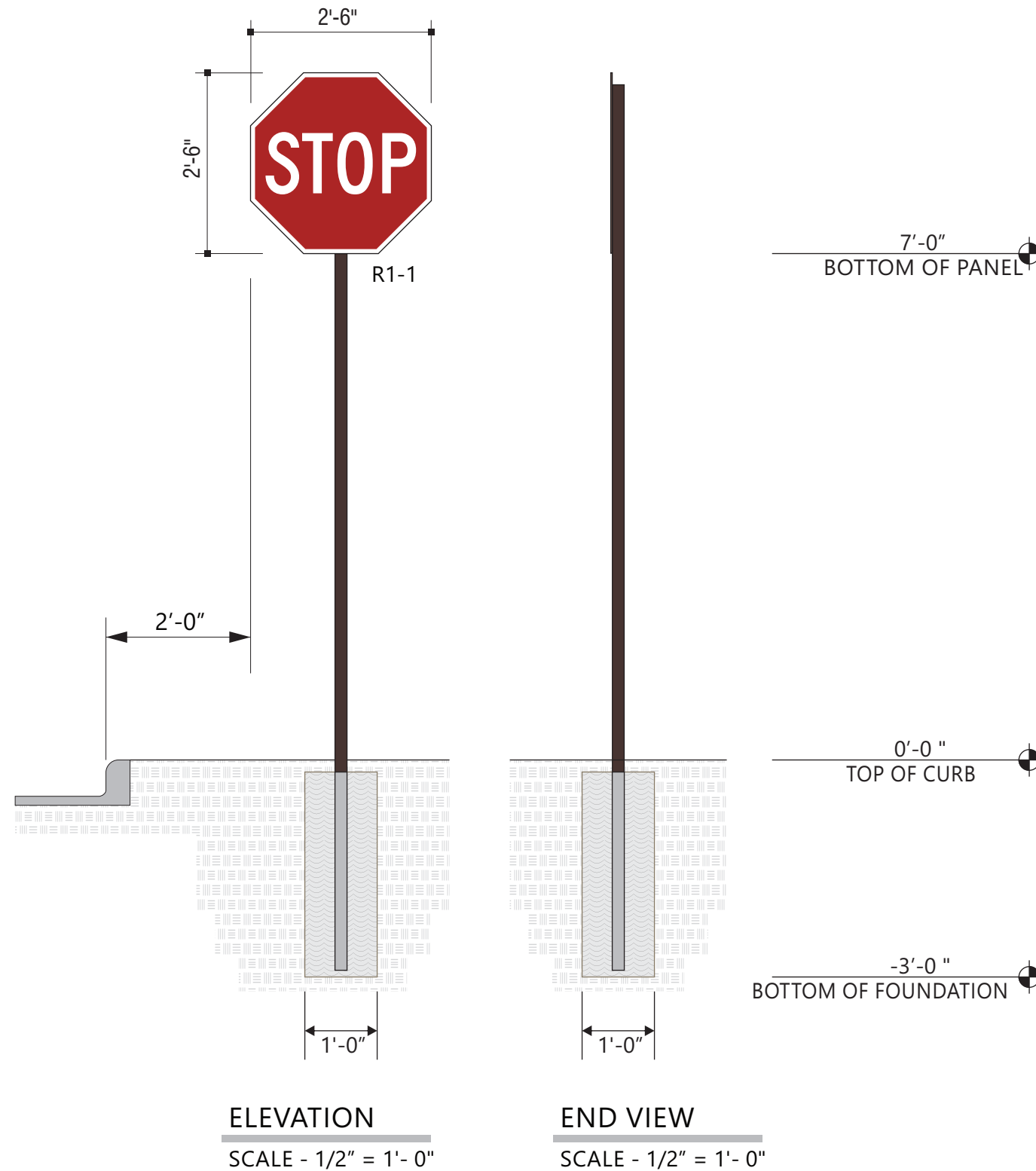
SIGN PANEL
3M #680-82 REFLECTIVE RED.



SIGN PANEL
3M #680-10 REFLECTIVE WHITE



BACK OF SIGN PANEL AND POST
MP 20181 DARK BRONZE
SW #DDM460012



5198 North Lake Drive
Lake City, GA 30260
404.361.3800
www.claytonsigns.com

DOT REGULATORY TRAFFIC SIGNS

DRAWING FILE - CFA - NAPERVILLE, IL SIGNAGE.CDR

ALL ELECTRICAL
SIGNS ARE
120 VOLTS
UNLESS
OTHERWISE INDICATED

DRAWN BY Ben Holliday
ACCOUNT REP. Ben Holliday
DRAWING DATE September 13, 2023
REVISION DATE September 13, 2023

STORE NUMBER	STORE ADDRESS
L05590	Chick-fil-A at Naperville, IL 1163 E. Ogden Ave Naperville, Illinois 60563

THIS DRAWING IS AN ORIGINAL, UNPUBLISHED DESIGN CREATED BY CLAYTON SIGNS, INC. IT IS NOT TO BE REPRODUCED, CHANGED, OR EXHIBITED TO ANYONE OUTSIDE OF YOUR COMPANY IN WHOLE OR IN PART WITHOUT WRITTEN PERMISSION FROM THE OWNER OF CLAYTON SIGNS, INC. ANY SUCH ACTIONS MAY BE SUBJECT TO LEGAL ACTION IN A COURT OF LAW.
©2023 ALL RIGHTS RESERVED

LOCATION
M

SPECIFICATIONS

SIGN PANELS

PANELS ARE .080 ALUMINUM WITH REFLECTIVE BACKGROUND AND GRAPHICS.

SIGN POSTS

POSTS ARE 2" x 2" SQUARE ALUMINUM TUBING CAPPED ON TOP



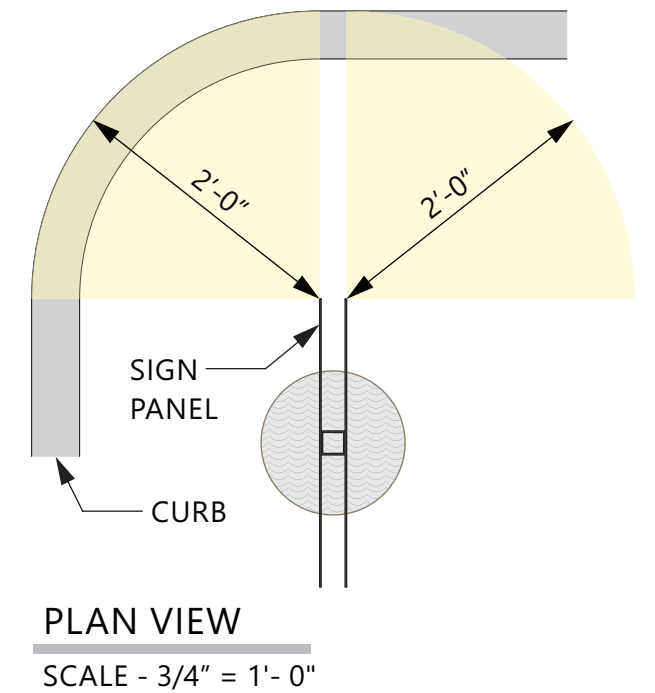
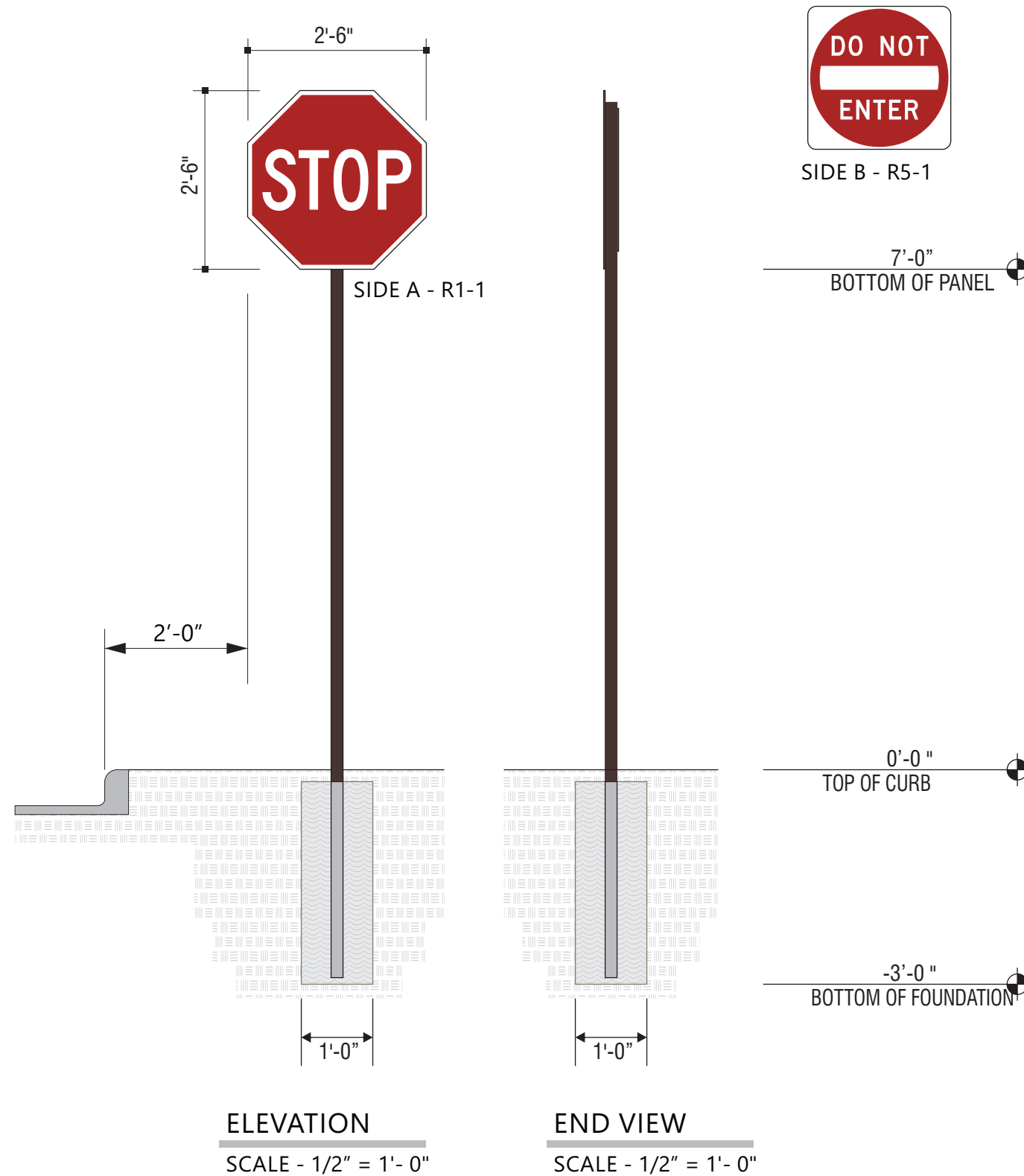
SIGN PANEL
3M #680-82 REFLECTIVE RED.



SIGN PANEL
3M #680-10 REFLECTIVE WHITE



BACK OF SIGN PANEL AND POST
MP 20181 DARK BRONZE
SW #DDM460012



5198 North Lake Drive
Lake City, GA 30260
404.361.3800
www.claytonsigns.com

DOT REGULATORY TRAFFIC SIGNS

DRAWING FILE - CFA - NAPERVILLE, IL SIGNAGE.CDR

ALL ELECTRICAL
SIGNS ARE
120 VOLTS
UNLESS
OTHERWISE INDICATED

DRAWN BY Ben Holliday
ACCOUNT REP. Ben Holliday
DRAWING DATE September 13, 2023
REVISION DATE September 13, 2023

STORE NUMBER	STORE ADDRESS
L05590	Chick-fil-A at Naperville, IL 1163 E. Ogden Ave Naperville, Illinois 60563

THIS DRAWING IS AN ORIGINAL, UNPUBLISHED DESIGN CREATED BY CLAYTON SIGNS, INC. IT IS NOT TO BE REPRODUCED, CHANGED, OR EXHIBITED TO ANYONE OUTSIDE OF YOUR COMPANY IN WHOLE OR IN PART WITHOUT WRITTEN PERMISSION FROM THE OWNER OF CLAYTON SIGNS, INC. ANY SUCH ACTIONS MAY BE SUBJECT TO LEGAL ACTION IN A COURT OF LAW.
©2023 ALL RIGHTS RESERVED

LOCATION

N

SPECIFICATIONS

SIGN PANELS

PANELS ARE .080 ALUMINUM WITH REFLECTIVE BACKGROUND AND GRAPHICS.

SIGN POSTS

POSTS ARE 2" x 2" SQUARE ALUMINUM TUBING CAPPED ON TOP



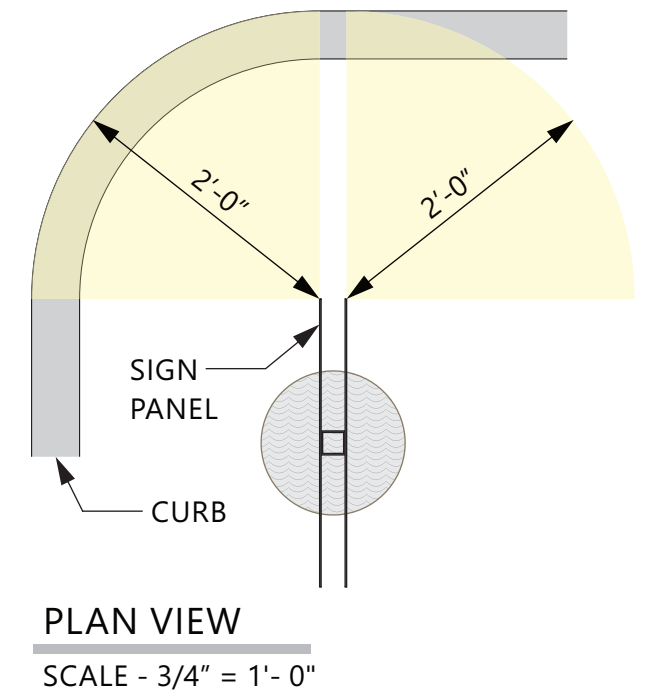
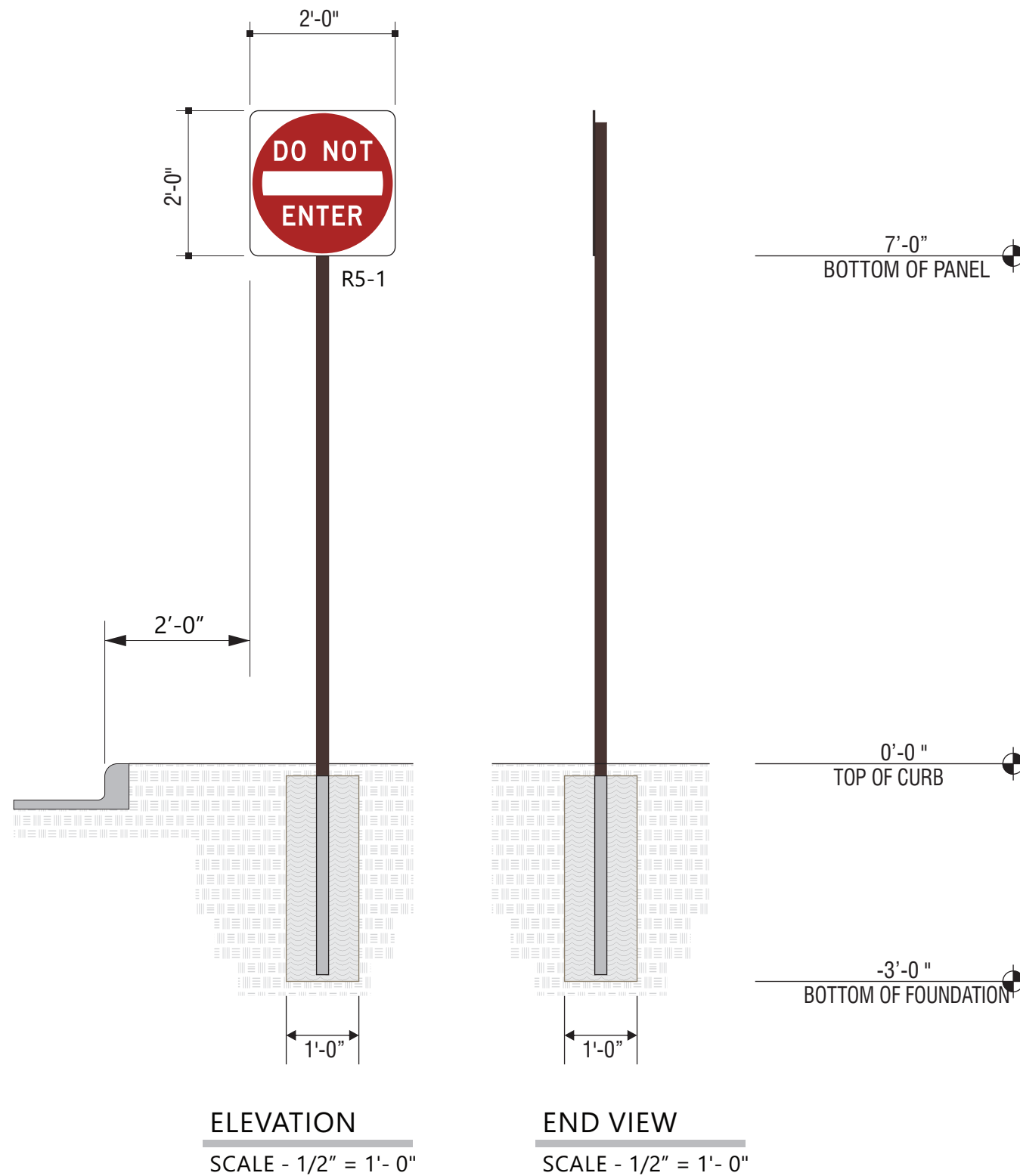
SIGN PANEL
3M #680-82 REFLECTIVE RED.



SIGN PANEL
3M #680-10 REFLECTIVE WHITE



BACK OF SIGN PANEL AND POST
MP 20181 DARK BRONZE
SW #DDM460012



5198 North Lake Drive
Lake City, GA 30260
404.361.3800
www.claytonsigns.com

DOT REGULATORY TRAFFIC SIGNS

DRAWING FILE - CFA - NAPERVILLE, IL SIGNAGE.CDR

ALL ELECTRICAL
SIGNS ARE
120 VOLTS
UNLESS
OTHERWISE INDICATED

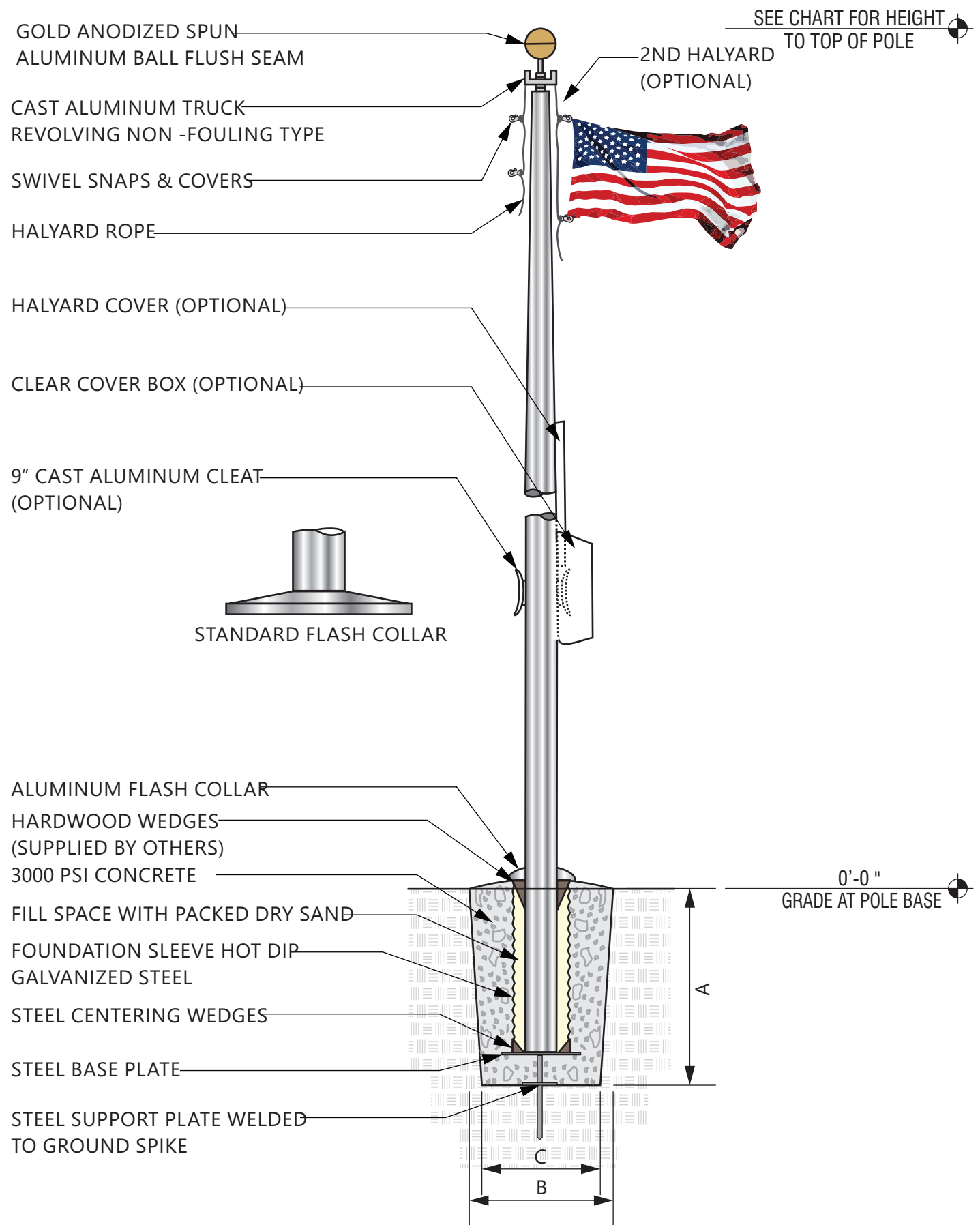
DRAWN BY Ben Holliday
ACCOUNT REP. Ben Holliday
DRAWING DATE September 13, 2023
REVISION DATE September 13, 2023

STORE NUMBER	STORE ADDRESS
L05590	Chick-fil-A at Naperville, IL 1163 E. Ogden Ave Naperville, Illinois 60563

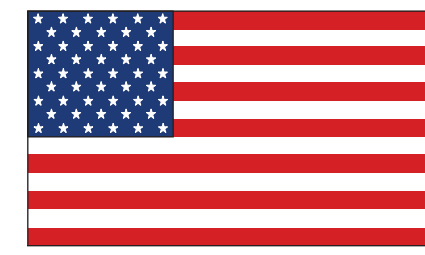
THIS DRAWING IS AN ORIGINAL, UNPUBLISHED DESIGN CREATED BY CLAYTON SIGNS, INC. IT IS NOT TO BE REPRODUCED, CHANGED, OR EXHIBITED TO ANYONE OUTSIDE OF YOUR COMPANY IN WHOLE OR IN PART WITHOUT WRITTEN PERMISSION FROM THE OWNER OF CLAYTON SIGNS, INC. ANY SUCH ACTIONS MAY BE SUBJECT TO LEGAL ACTION IN A COURT OF LAW.
©2023 ALL RIGHTS RESERVED

LOCATION





SEE CHART FOR HEIGHT TO TOP OF POLE



FLAG SIZES

POLE	A	B	MATERIAL
20'	3'0"	5'0"	POLYESTHER
25'	4'0"	6'0"	POLYESTHER
30'	5'0"	8'0"	POLYESTHER
35'	6'0"	10'0"	POLYESTHER
40'	8'0"	12'0"	POLYESTHER
45'	8'0"	12'0"	POLYESTHER
50'	12'0"	18'0"	POLYESTHER

FOUNDATION SIZES

HEIGHT	A	B	C
20'	3'6"	30"	24"
25'	3'6"	30"	24"
30'	3'6"	30"	24"
35'	4'0"	36"	30"
40'	4'6"	42"	36"
45'	5'0"	48"	42"
50'	5'6"	48"	42"

**GROUND SLEEVE AND CONCRETE INSTALLED BY THE GENERAL CONTRACTOR
POLE INSTALLED ON PRE-INSTALLED GROUND SLEEVE BY SIGN CONTRACTOR**



5198 North Lake Drive
Lake City, GA 30260
404.361.3800
www.claytonsigns.com

FLAG POLE

DRAWING FILE - CFA - NAPERVILLE, IL SIGNAGE.CDR

ALL ELECTRICAL SIGNS ARE 120 VOLTS UNLESS OTHERWISE INDICATED

DRAWN BY Ben Holliday
ACCOUNT REP. Ben Holliday
DRAWING DATE September 13, 2023
REVISION DATE September 13, 2023

STORE NUMBER	STORE ADDRESS
L05590	Chick-fil-A at Naperville, IL 1163 E. Ogden Ave Naperville, Illinois 60563

THIS DRAWING IS AN ORIGINAL, UNPUBLISHED DESIGN CREATED BY CLAYTON SIGNS, INC. IT IS NOT TO BE REPRODUCED, CHANGED, OR EXHIBITED TO ANYONE OUTSIDE OF YOUR COMPANY IN WHOLE OR IN PART WITHOUT WRITTEN PERMISSION FROM THE OWNER OF CLAYTON SIGNS, INC. ANY SUCH ACTIONS MAY BE SUBJECT TO LEGAL ACTION IN A COURT OF LAW.
©2023 ALL RIGHTS RESERVED


**LOCATION
FP**

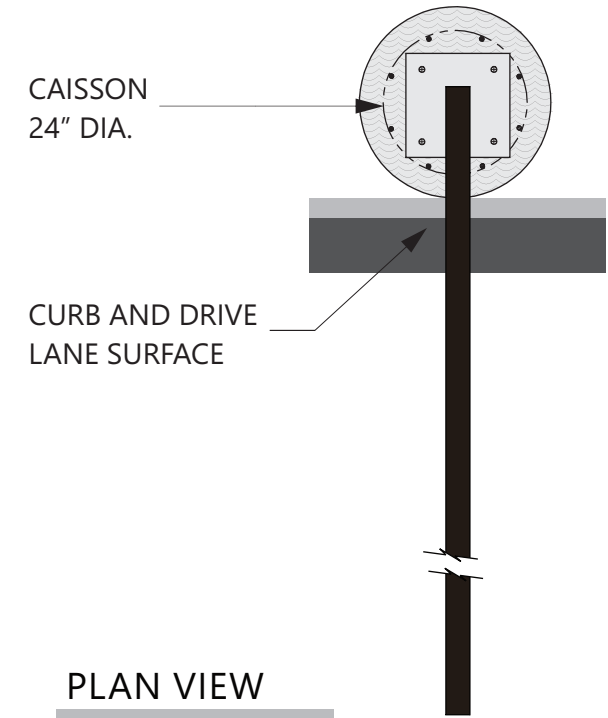
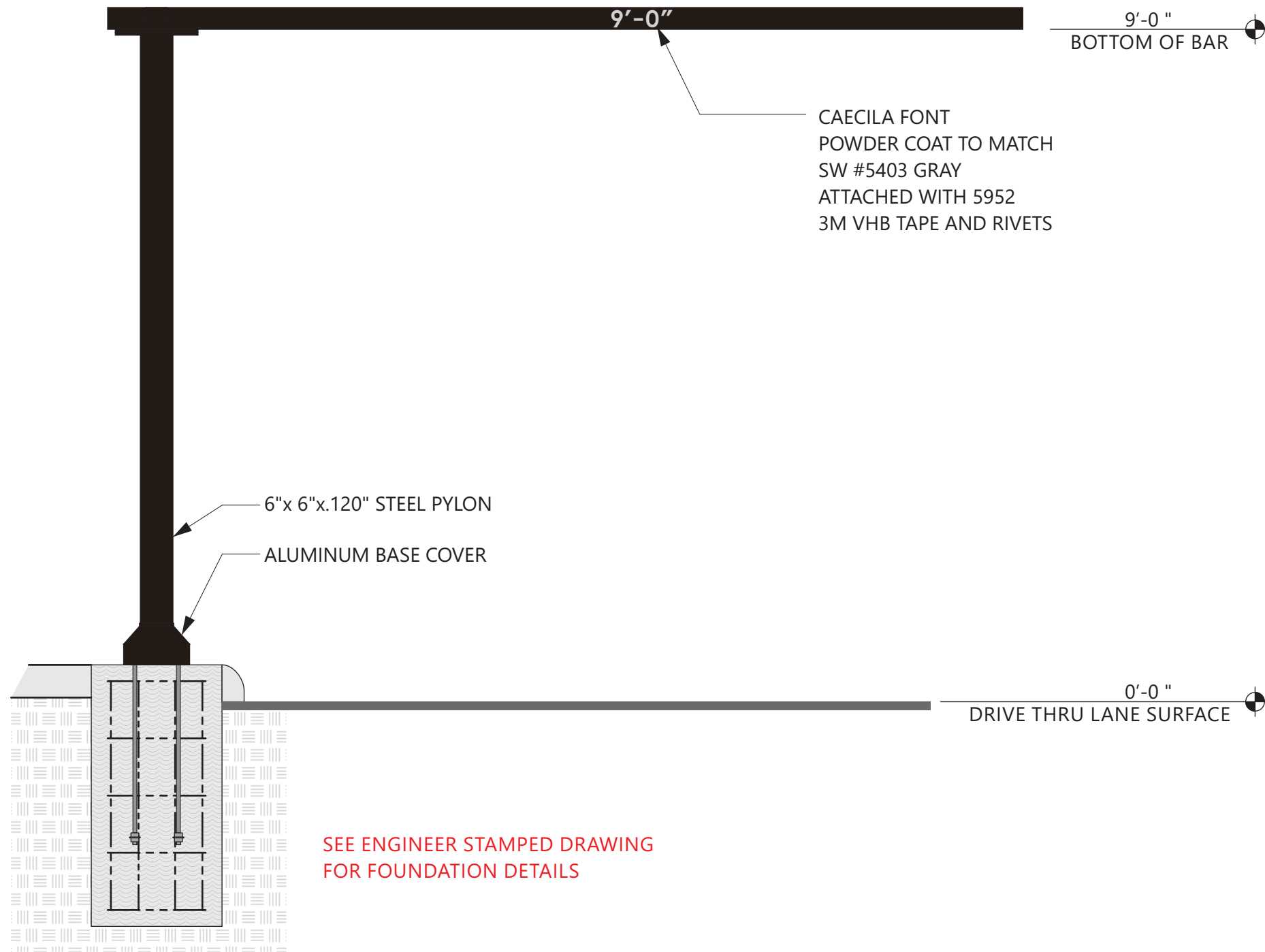
SPECIFICATIONS

CLEARANCE BAR

COLORS


MATTE BLACK TEXTURED


SHERWIN WILLIAMS
SW 5403 GRAY



5198 North Lake Drive
Lake City, GA 30260
404.361.3800
www.claytonsigns.com

**DRIVE-THRU
CLEARANCE BAR**

DRAWING FILE - CFA - NAPERVILLE, IL SIGNAGE.CDR

ALL ELECTRICAL
SIGNS ARE
120 VOLTS
UNLESS
OTHERWISE INDICATED

DRAWN BY Ben Holliday
ACCOUNT REP. Ben Holliday
DRAWING DATE September 13, 2023
REVISION DATE September 13, 2023

STORE NUMBER
L05590

STORE ADDRESS

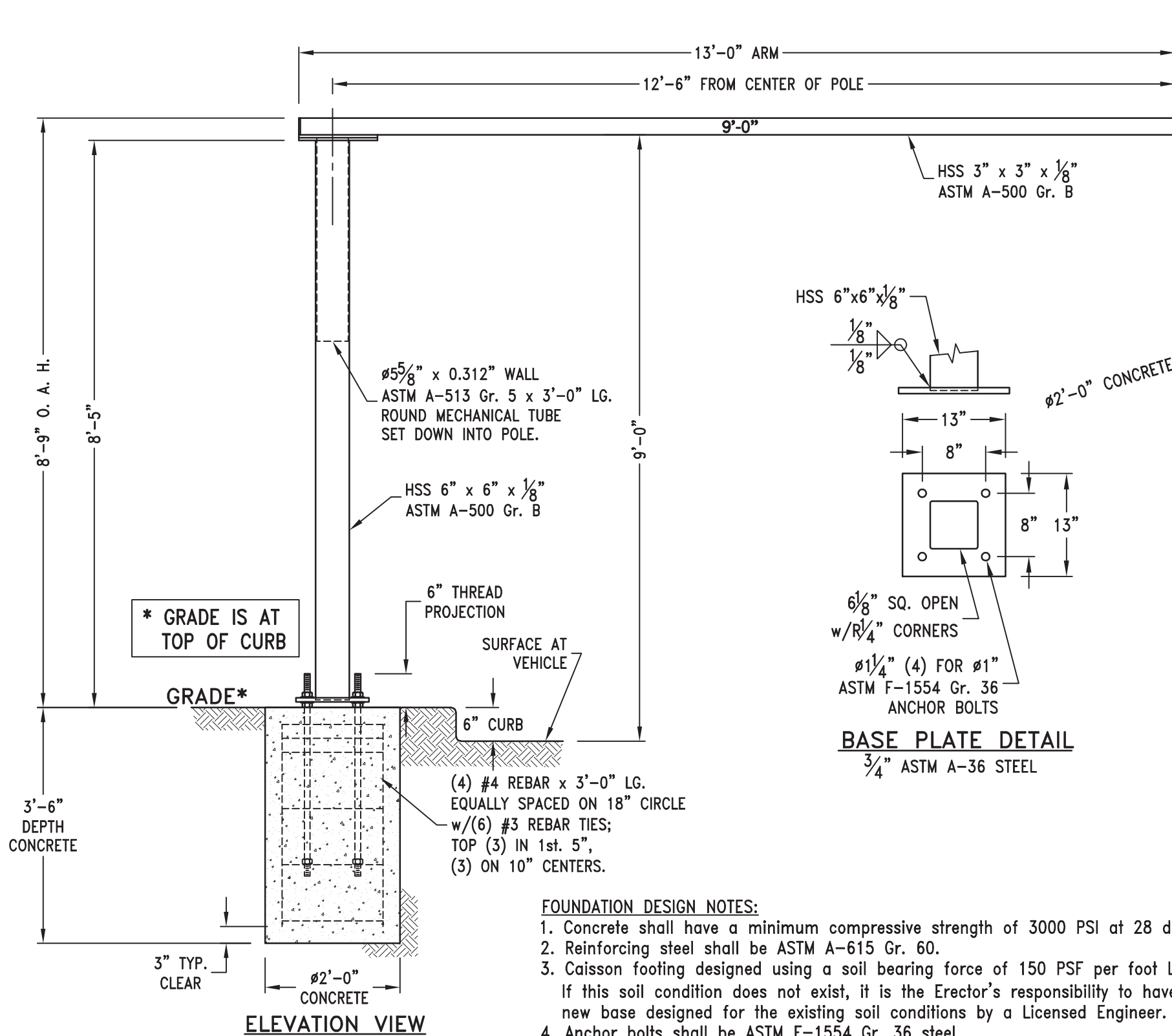
Chick-fil-A at Naperville, IL
1163 E. Ogden Ave
Naperville, Illinois 60563

THIS DRAWING IS AN ORIGINAL, UNPUBLISHED DESIGN CREATED BY CLAYTON SIGNS, INC. IT IS NOT TO BE REPRODUCED, CHANGED, OR EXHIBITED TO ANYONE OUTSIDE OF YOUR COMPANY IN WHOLE OR IN PART WITHOUT WRITTEN PERMISSION FROM THE OWNER OF CLAYTON SIGNS, INC. ANY SUCH ACTIONS MAY BE SUBJECT TO LEGAL ACTION IN A COURT OF LAW.

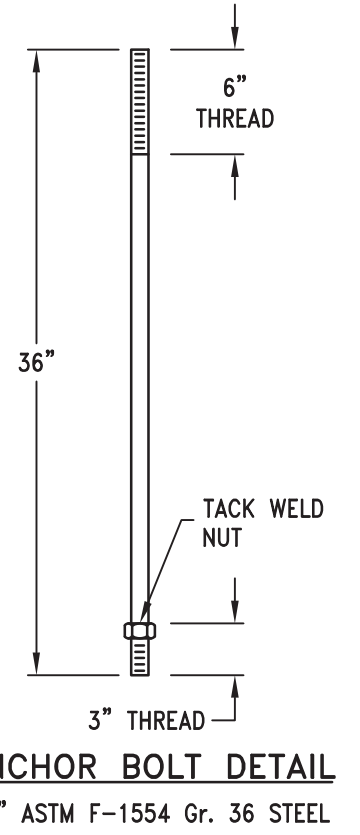
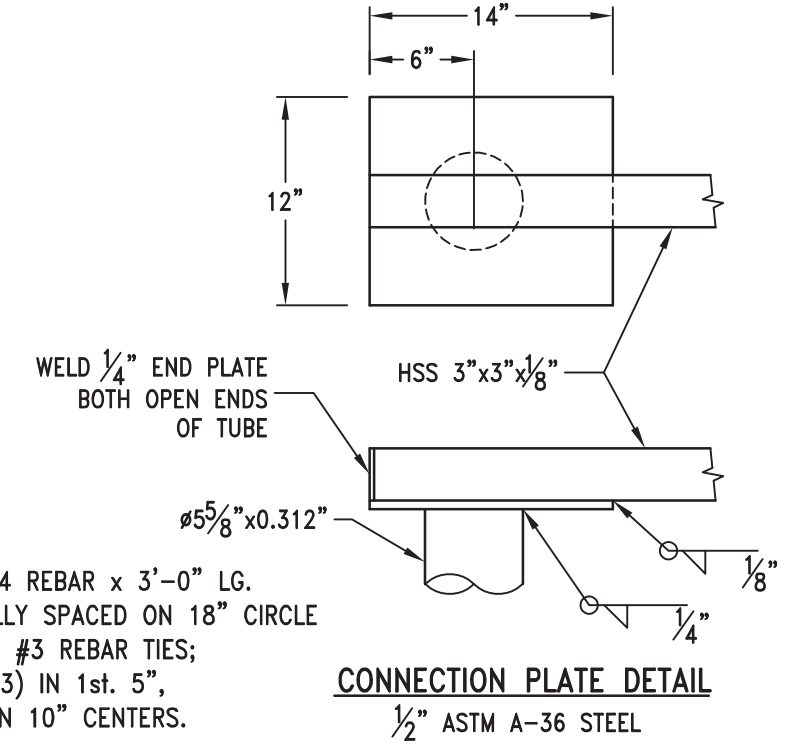
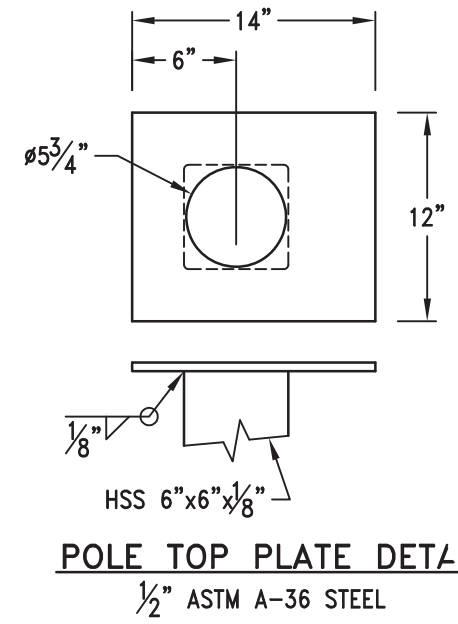
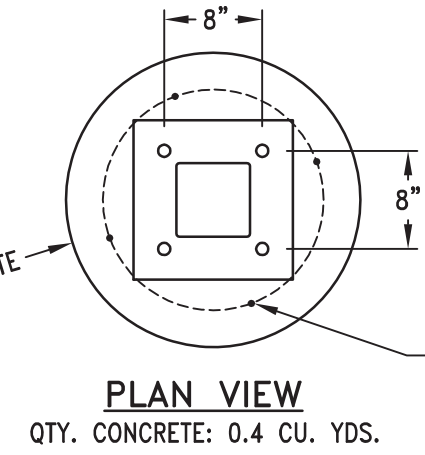
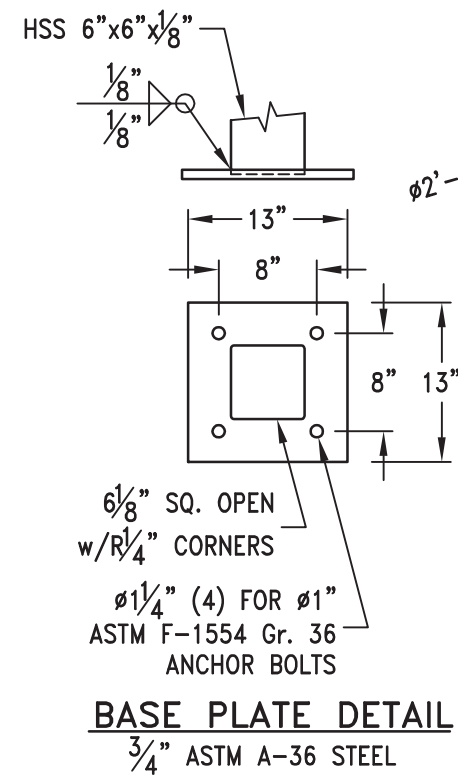
©2023 ALL RIGHTS RESERVED

LOCATION

CB-1



- FOUNDATION DESIGN NOTES:**
1. Concrete shall have a minimum compressive strength of 3000 PSI at 28 days.
 2. Reinforcing steel shall be ASTM A-615 Gr. 60.
 3. Caisson footing designed using a soil bearing force of 150 PSF per foot Lateral. If this soil condition does not exist, it is the Erector's responsibility to have a new base designed for the existing soil conditions by a Licensed Engineer.
 4. Anchor bolts shall be ASTM F-1554 Gr. 36 steel.



5198 North Lake Drive
Lake City, GA 30260
404.361.3800
www.claytonsigns.com

**DRIVE-THRU
CLEARANCE BAR**

DRAWING FILE - CFA - NAPERVILLE, IL SIGNAGE.CDR

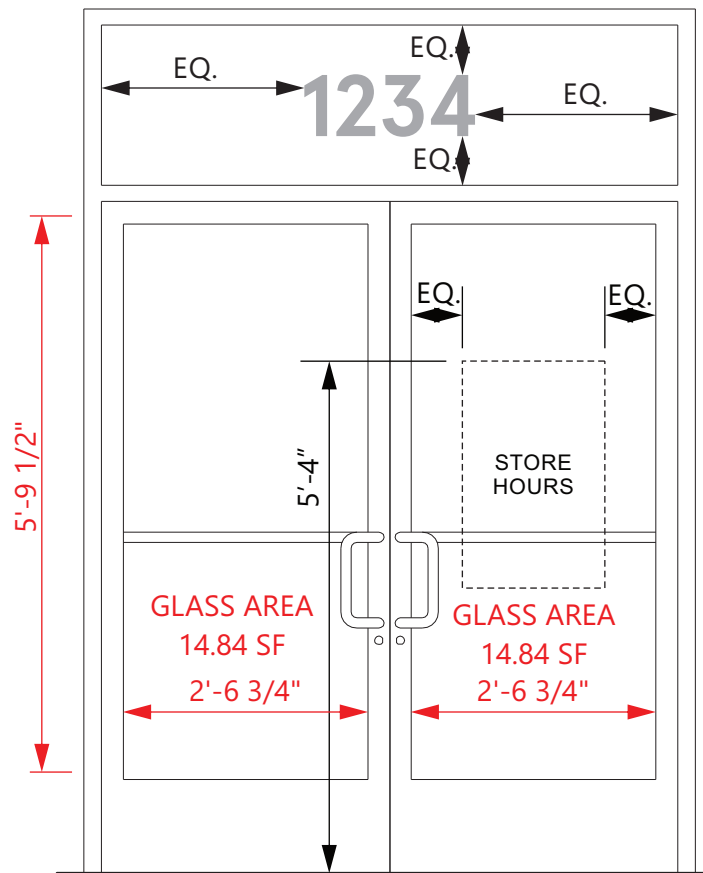
ALL ELECTRICAL
SIGNS ARE
120 VOLTS
UNLESS
OTHERWISE INDICATED

DRAWN BY	Ben Holliday
ACCOUNT REP.	Ben Holliday
DRAWING DATE	September 13, 2023
REVISION DATE	September 13, 2023

STORE NUMBER	STORE ADDRESS
L05590	Chick-fil-A at Naperville, IL 1163 E. Ogden Ave Naperville, Illinois 60563

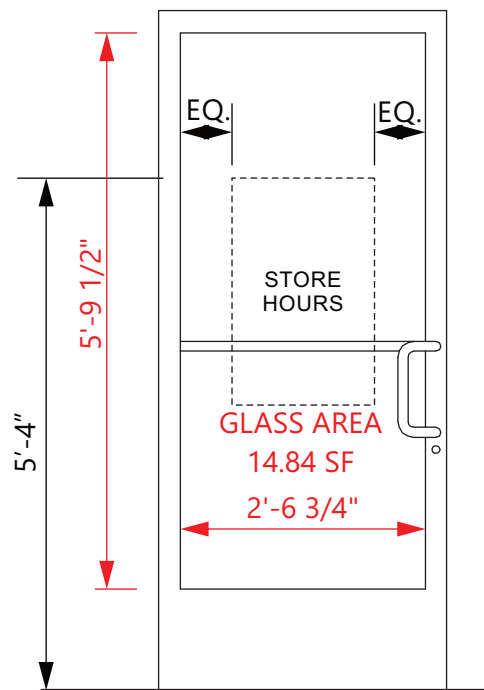
THIS DRAWING IS AN ORIGINAL, UNPUBLISHED DESIGN CREATED BY CLAYTON SIGNS, INC. IT IS NOT TO BE REPRODUCED, CHANGED, OR EXHIBITED TO ANYONE OUTSIDE OF YOUR COMPANY IN WHOLE OR IN PART WITHOUT WRITTEN PERMISSION FROM THE OWNER OF CLAYTON SIGNS, INC. ANY SUCH ACTIONS MAY BE SUBJECT TO LEGAL ACTION IN A COURT OF LAW.
©2023 ALL RIGHTS RESERVED

**LOCATION
CB-1**

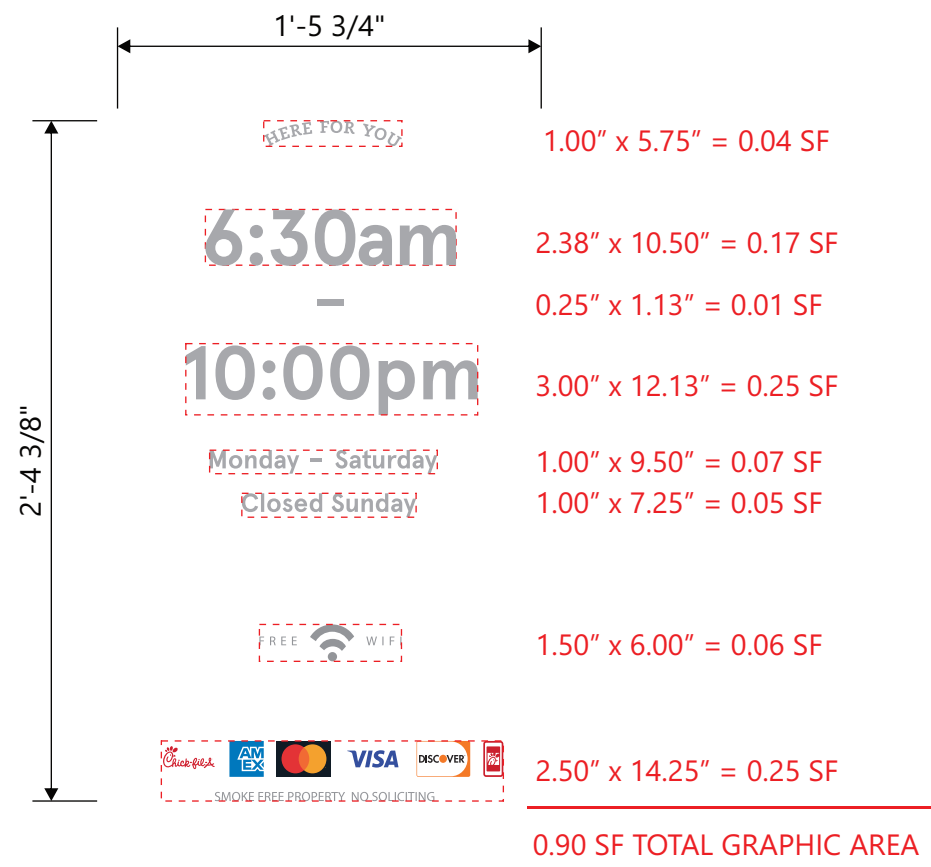


ELEVATION
SCALE - 1/2" = 1'-0"

DOOR WINDOW AREA - 14.84 SF
WINDOW GRAPHIC AREA - 0.90 SF



ELEVATION
SCALE - 1/2" = 1'-0"



ELEVATION
SCALE - 1 1/2" = 1'-0"

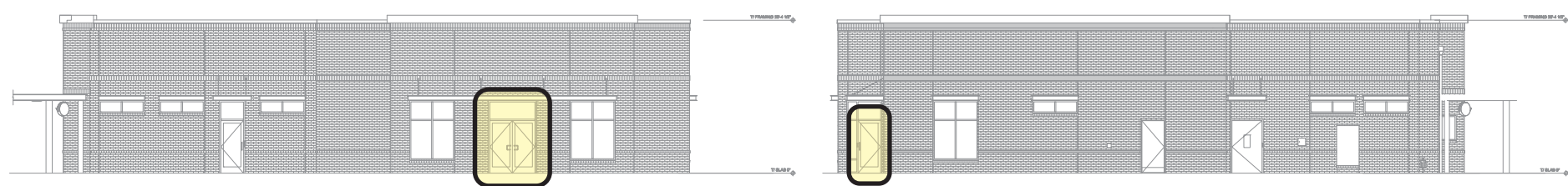
LETTERING IS 3M #7725-10 OPAQUE WHITE VINYL FILM (SHOWN IN GREY FOR ILLUSTRATION)
CREDIT CARD LOGOS ARE INDIVIDUAL PRINTED DECALS ON CLEAR FILM.
ALL GRAPHICS ARE APPLIED TO EXTERIOR SURFACE OF GLASS.
STORE HOURS MAY BE DIFFERENT PER STORE.
SUNDAY HAS RED VINYL FILM STRIKE THROUGH ON IT.
PROVIDE EXTRA 6:00 PER EACH SET.

8" **1234**

8" TALL ADDRESS NUMBERS ARE 3M #7725-10 OPAQUE WHITE VINYL FILM APPLIED TO EXTERIOR SURFACE OF GLASS. (SHOWN IN GREY FOR ILLUSTRATION)
APERCU BOLD FONT

VERIFY ADDRESS BEFORE MAKING NUMBERS

ELEVATION
NOT TO SCALE



5198 North Lake Drive
Lake City, GA 30260
404.361.3800
www.claytonsigns.com

WINDOW GRAPHICS

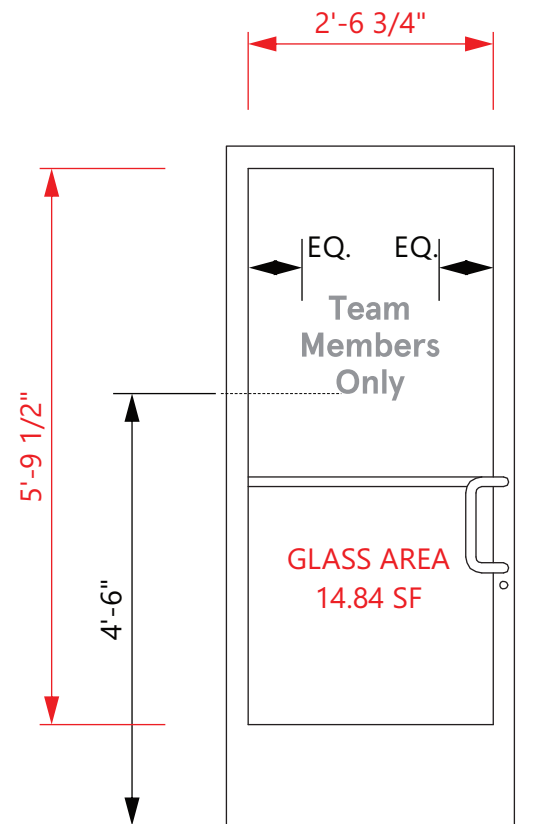
DRAWING FILE - CFA - NAPERVILLE, IL SIGNAGE.CDR

ALL ELECTRICAL SIGNS ARE 120 VOLTS UNLESS OTHERWISE INDICATED

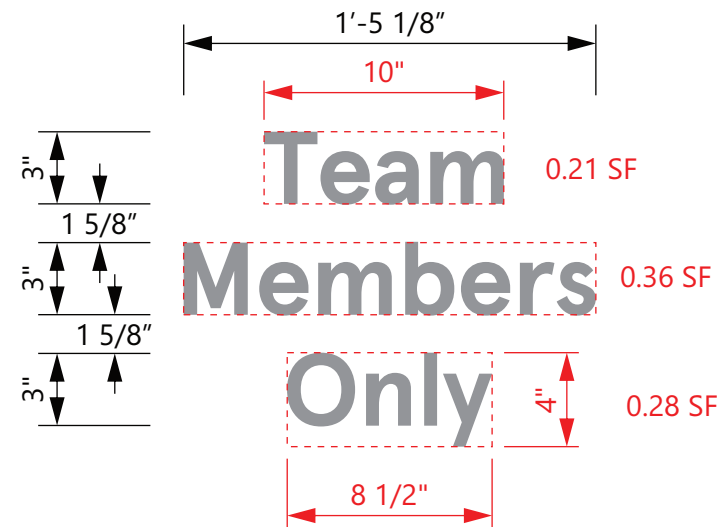
DRAWN BY Ben Holliday
ACCOUNT REP. Ben Holliday
DRAWING DATE September 13, 2023
REVISION DATE September 13, 2023

STORE NUMBER	STORE ADDRESS
L05590	Chick-fil-A at Naperville, IL 1163 E. Ogden Ave Naperville, Illinois 60563

THIS DRAWING IS AN ORIGINAL, UNPUBLISHED DESIGN CREATED BY CLAYTON SIGNS, INC. IT IS NOT TO BE REPRODUCED, CHANGED, OR EXHIBITED TO ANYONE OUTSIDE OF YOUR COMPANY IN WHOLE OR IN PART WITHOUT WRITTEN PERMISSION FROM THE OWNER OF CLAYTON SIGNS, INC. ANY SUCH ACTIONS MAY BE SUBJECT TO LEGAL ACTION IN A COURT OF LAW.
©2023 ALL RIGHTS RESERVED



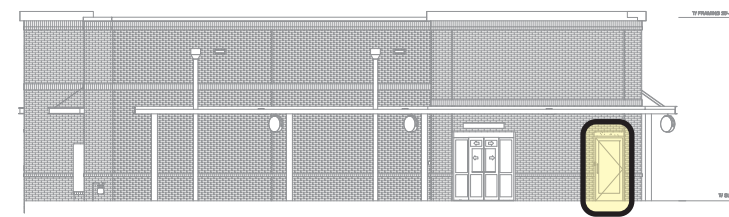
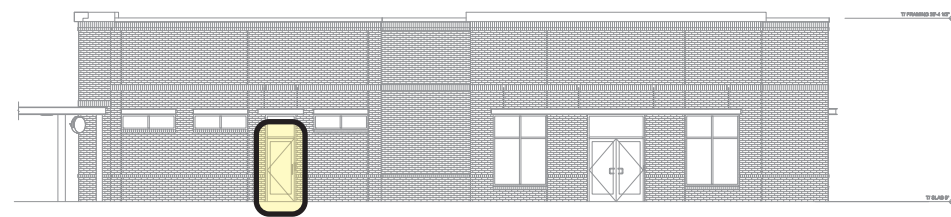
ELEVATION
SCALE - 1/2" = 1'- 0"



ELEVATION
SCALE - 1 1/2" = 1'- 0"

GRAPHIC AREA
0.85 SF

LETTERING IS 3M 7725-10
OPAQUE WHITE APPLIED VINYL
ALL GRAPHICS ARE APPLIED TO
EXTERIOR SURFACE OF GLASS.
(SHOWN IN GREY FOR ILLUSTRATION
PURPOSES ONLY)



5198 North Lake Drive
Lake City, GA 30260
404.361.3800
www.claytonsigns.com

WINDOW GRAPHICS

DRAWING FILE - CFA - NAPERVILLE, IL SIGNAGE.CDR

ALL ELECTRICAL
SIGNS ARE
120 VOLTS
UNLESS
OTHERWISE INDICATED

DRAWN BY Ben Holliday
ACCOUNT REP. Ben Holliday
DRAWING DATE September 13, 2023
REVISION DATE September 13, 2023

STORE NUMBER	STORE ADDRESS
L05590	Chick-fil-A at Naperville, IL 1163 E. Ogden Ave Naperville, Illinois 60563

THIS DRAWING IS AN ORIGINAL, UNPUBLISHED DESIGN CREATED BY CLAYTON SIGNS, INC. IT IS NOT TO BE REPRODUCED, CHANGED, OR EXHIBITED TO ANYONE OUTSIDE OF YOUR COMPANY IN WHOLE OR IN PART WITHOUT WRITTEN PERMISSION FROM THE OWNER OF CLAYTON SIGNS, INC. ANY SUCH ACTIONS MAY BE SUBJECT TO LEGAL ACTION IN A COURT OF LAW.

©2023 ALL RIGHTS RESERVED