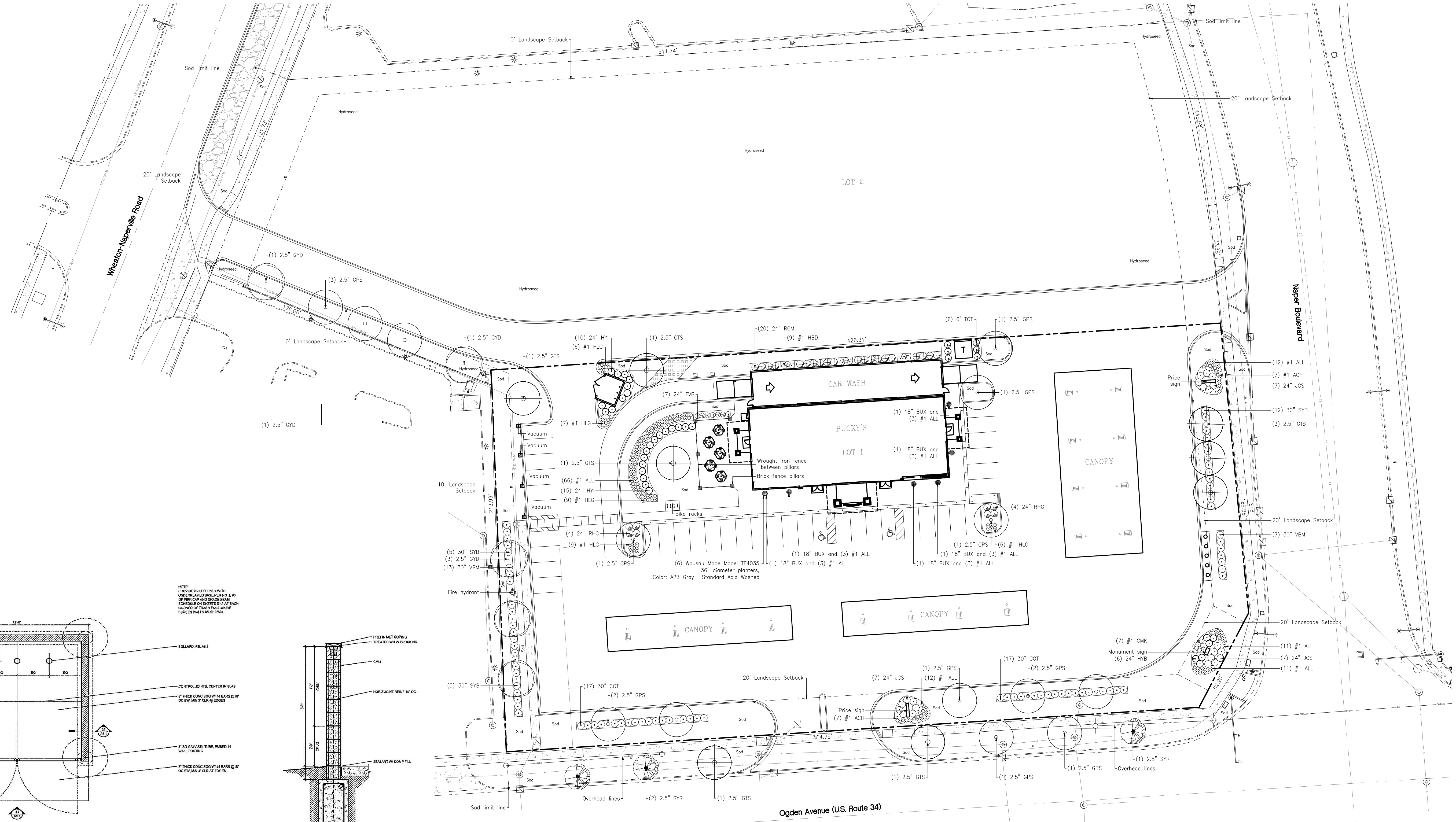


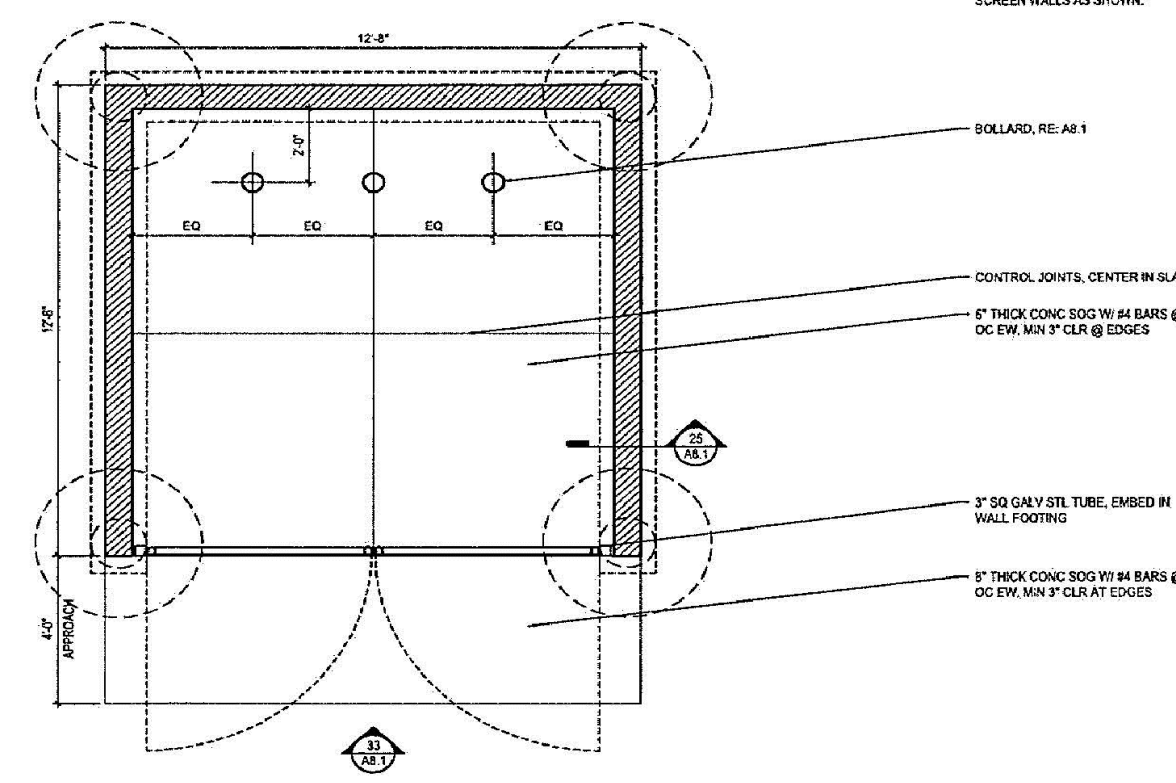
Bucky's Convenience Store

NWC Ogden Avenue and Naper Boulevard
Naperville, Illinois

DAVID R. McCALLUM ASSOCIATES, INC.
LANDSCAPE ARCHITECTS
350 N. Milwaukee Avenue | Libertyville, Illinois 60048
T 847.262.0209

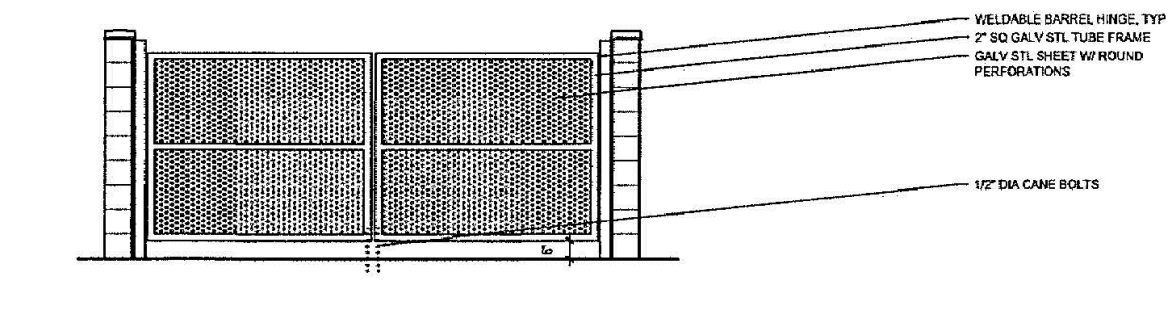


Landscape Plan

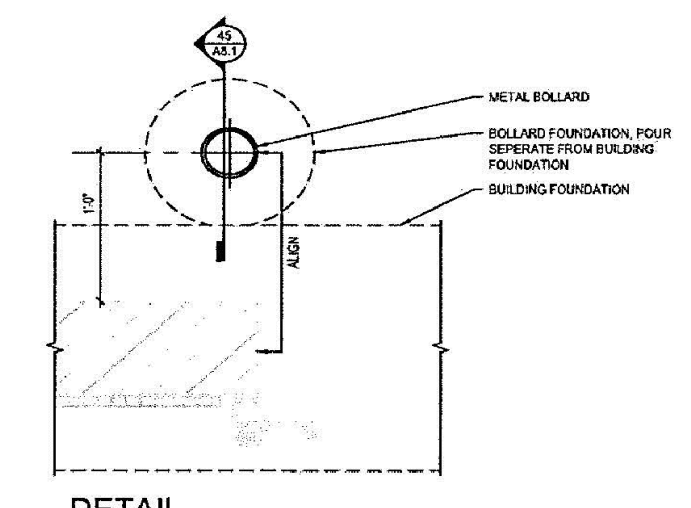


DUMPSTER SCREEN PLAN
SCALE: 1/4" = 1'-0"

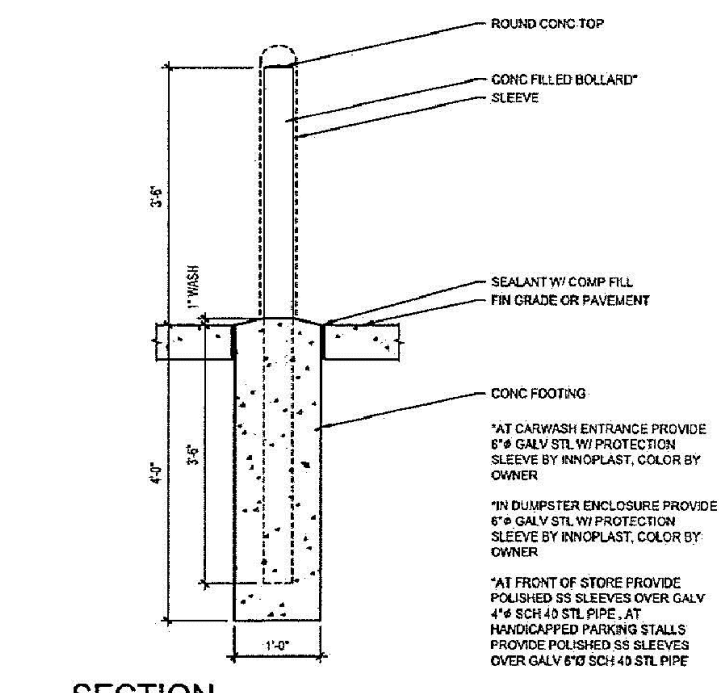
SECTION
SCALE: 1/4" = 1'-0"



DUMPSTER SCREEN ELEVATION
SCALE: 1/4" = 1'-0"



DETAIL
SCALE: 1/2" = 1'-0"

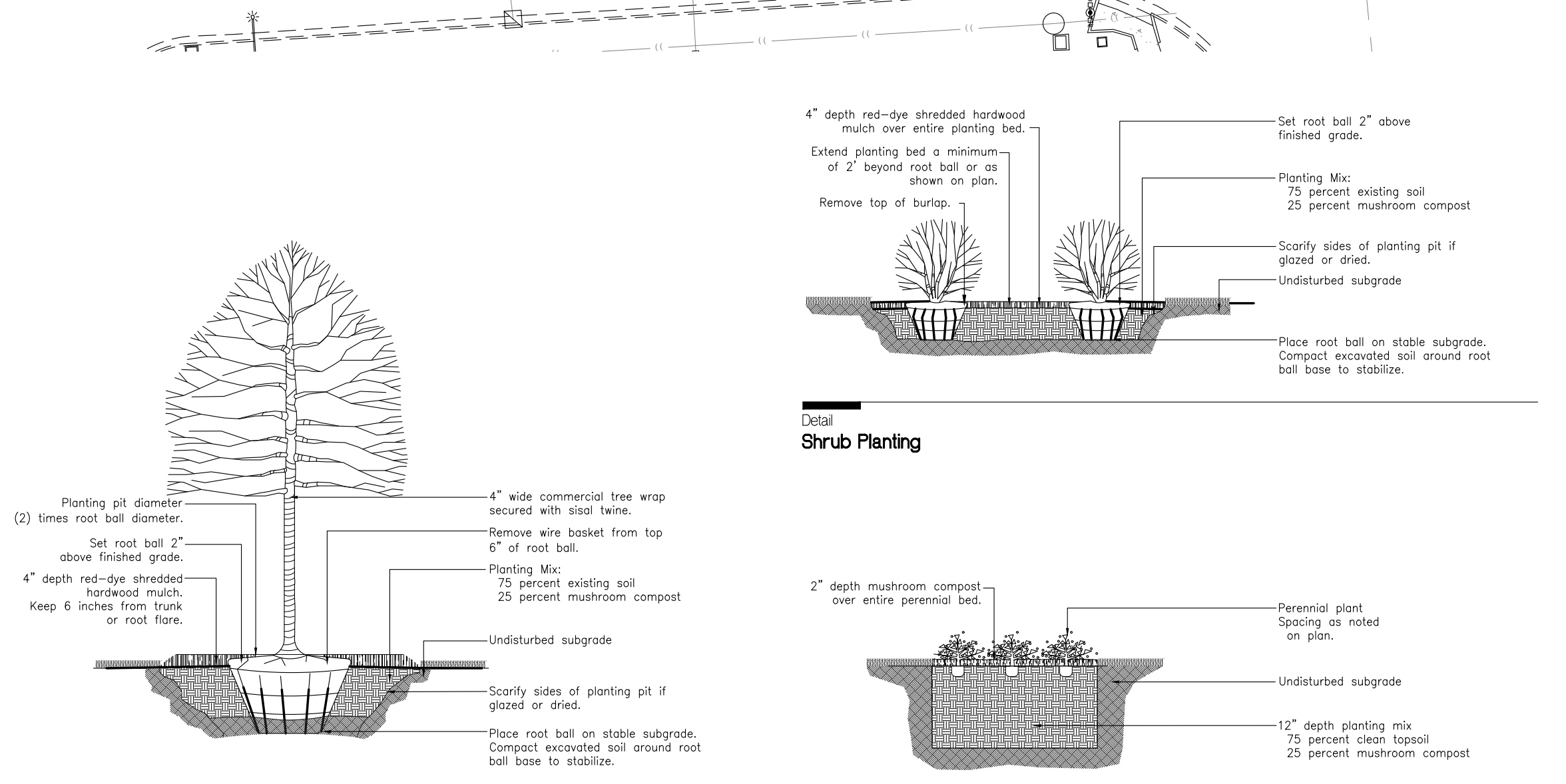


SECTION
SCALE: 1/4" = 1'-0"

Notes
Landscape contractor shall provide all plant material based on the size, genus, species and cultivar included in the Plant List. Any substitutions shall be approved by the Owner, local municipality and Landscape Architect.
Shredded hardwood mulch shall be red-dye.

Trees shall be installed a minimum of five (5) feet horizontally from underground electrical feeders, sanitary sewers, sanitary services, water mains, and water services. Trees shall be installed a minimum of ten (10) feet horizontally from utility structures and appurtenances, including, but limited to, manholes, valve vaults, valve boxes and fire hydrants. No trees, shrubs or obstacles will be allowed 10' in front of, 5' on the sides, and 7' to the rear of the electrical transformer.

Plant List					
Key	Qty.	Size	Botanical Name	Common Name	Remarks
Shade Trees					
GPS	14	2.5"	Ginkgo biloba 'Princeton Sentry'	Princeton Sentry Ginkgo	BB
GTS	8	2.5"	Gleditsia triacanthos var. inermis 'Skyline'	Skyline Thornless Honeylocust	BB
GVD	5	2.5"	Gymnocladus dioica 'Espresso'	Espresso Kentucky Coffeetree	BB
SYR	3	2.5"	Syringa reticulata 'Ivory Silk'	Ivory Silk Japanese Tree Lilac	BB
Shrubs					
BUX	6	18"	Buxus x microphylla 'Glencoe'	ChicagoLand Green Boxwood	BB
COT	34	30"	Cotoneaster acutifolia	Peking Cotoneaster	BB
FVB	7	24"	Forsythia viridissima 'Bronxensis'	Bronx Dwarf Forsythia	BB
HYB	6	24"	Hydrangea paniculata 'Bobo'	Bobo Hydrangea	BB
HYI	25	24"	Hydrangea arborescens 'Incrediball'	Incrediball Smooth Hydrangea	BB
JCS	21	24"	Juniperus chinensis var. sargentii	Sargent Juniper	BB
RGM	20	24"	Ribes alpinum 'Green Mound'	Green Mound Alpine Currant	BB
RHC	8	24"	Rhus aromatica 'Gre-Low'	Gre-Low Fragrant Sumac	BB
SYB	22	30"	Syringa Bloomerang Dark Purple 'SMSJBP7'	Bloomerang Dark Purple Lilac	BB
TOT	6	6"	Thuja occidentalis 'Techny'	Mission Arborvitae	BB
VBM	20	30"	Viburnum dentatum 'Christom'	Blue Muffin Arrowwood Viburnum	BB
Perennials					
ACH	14	#1	Achillea 'Moonshine'	Moonshine Yarrow	Container
ALL	130	#1	Allium 'Summer Beauty'	Summer Beauty Allium	Container
CMK	7	#1	Calamagrostis acutiflora 'Karl Foerster'	Feather Reed Grass	Container
HBD	#1	#1	Hosta 'Big Daddy'	Big Daddy Hosta	Container
HG	37	#1	Hemerocallis 'Little Grapette'	Little Grapette Daylily	Container



DETAIL
Deciduous Tree Planting

DETAIL
Perennial Planting

Mark	Description	Date
6	Per City Comments	0110.19
5	For Review	1127.18
4	For Review	1116.18
3	For Review	1116.18
2	For Review	1115.18
1	For Review	0920.18

Number
City of Naperville Project #18-10000108
484318
Scale
1"=30'
North
File
4843FP7A
Sheet
L10