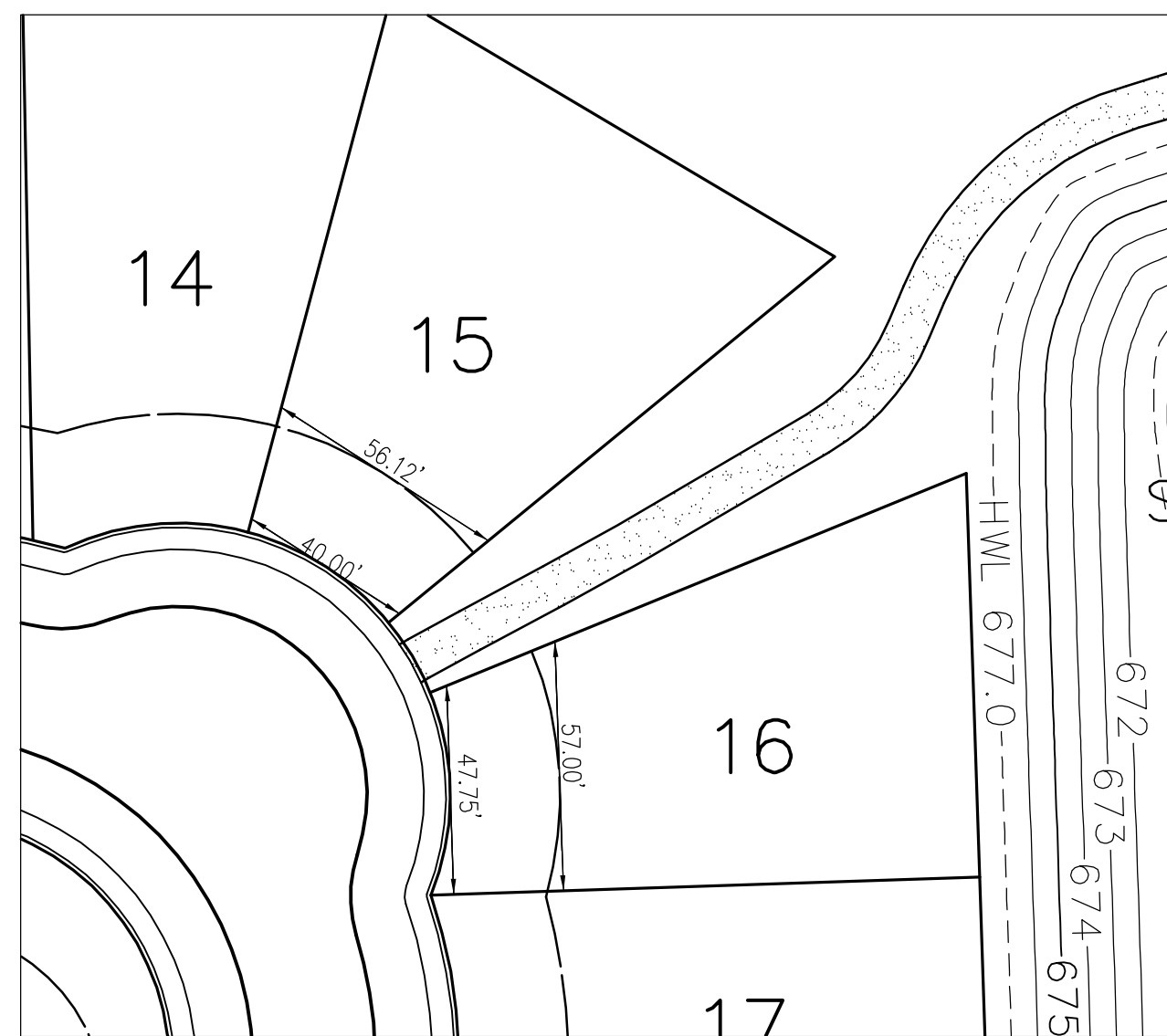
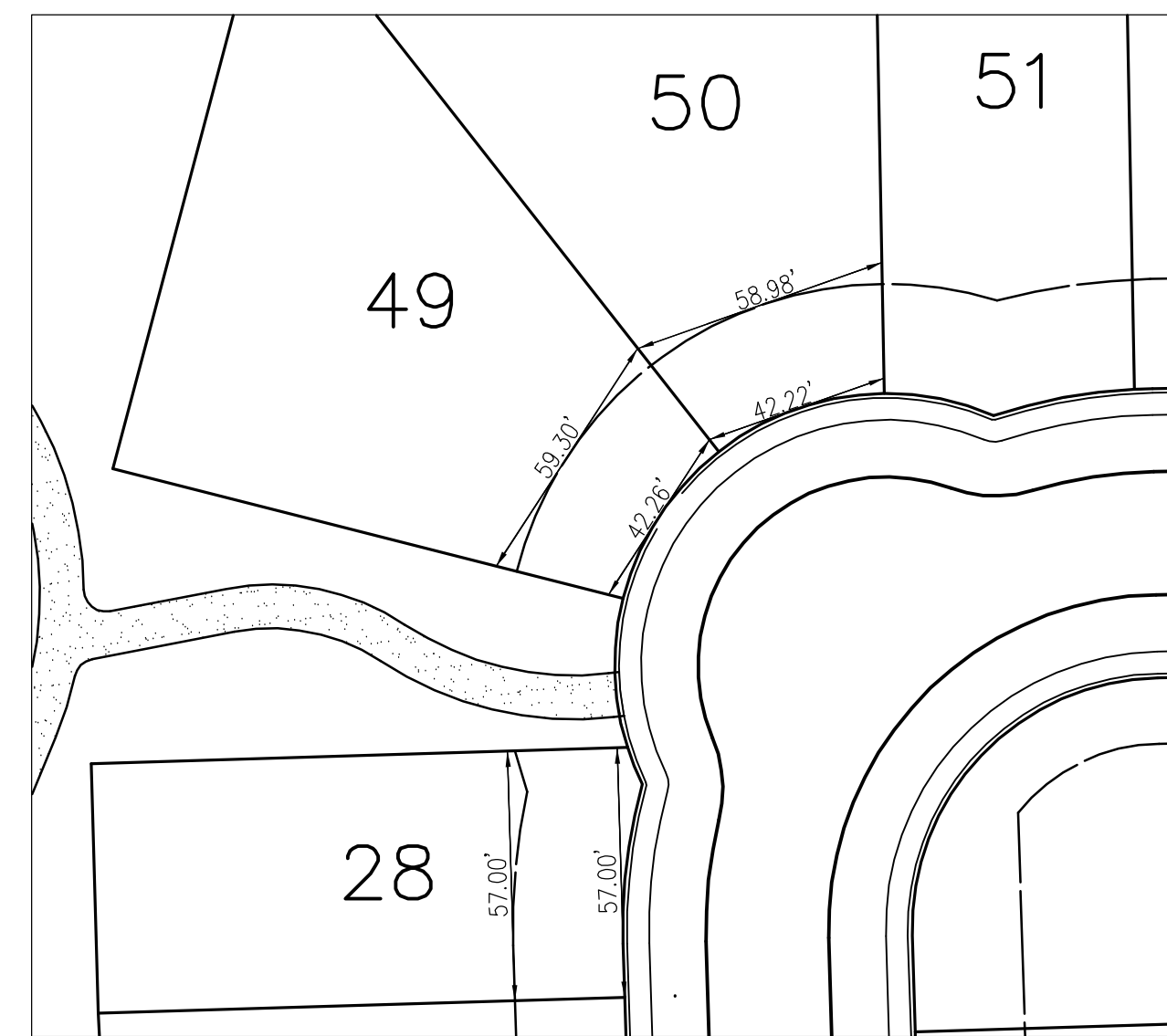


LOT WIDTH EXHIBIT FOR **WAGNER FARMS**

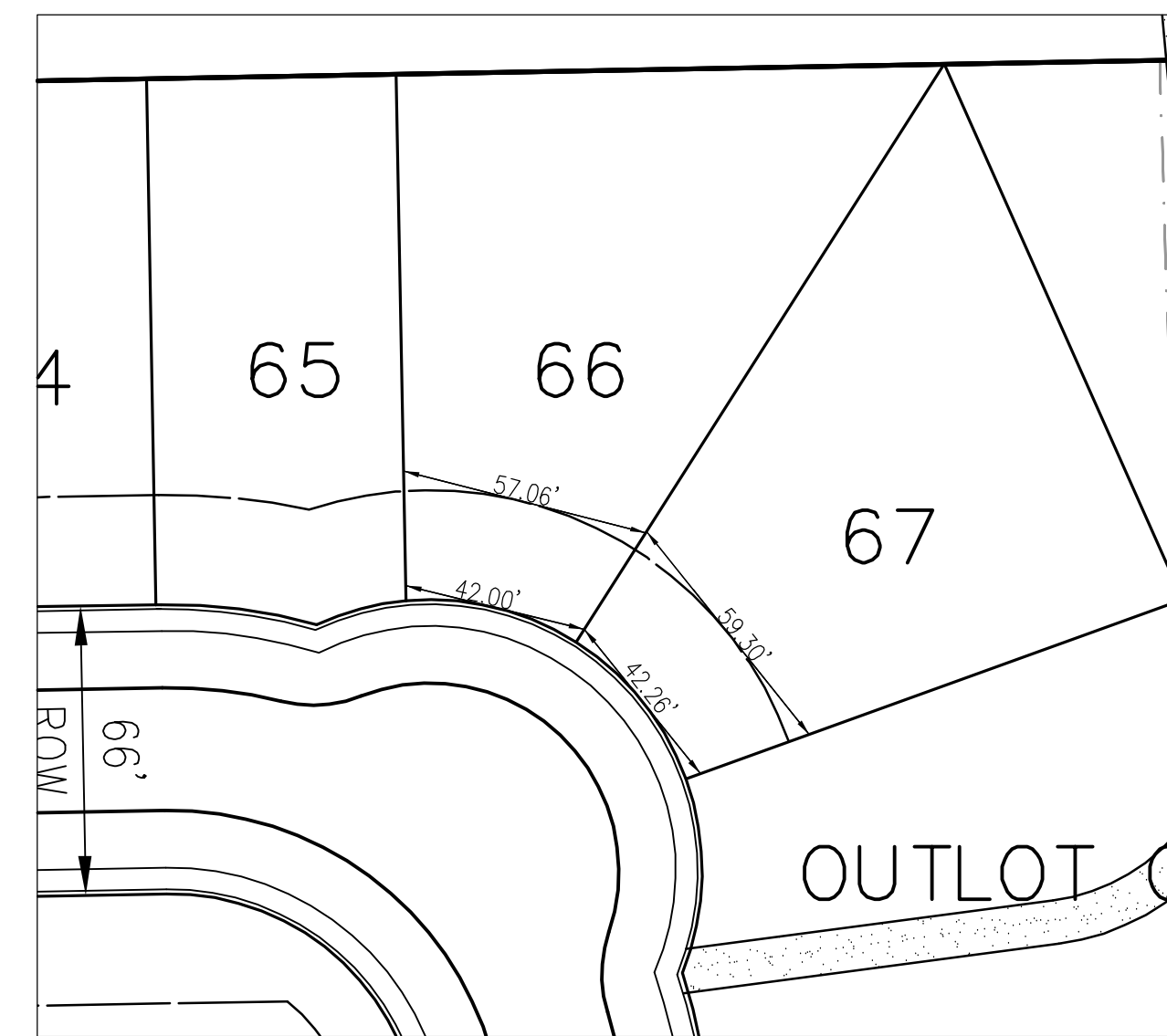
NAPERVILLE, ILLINOIS



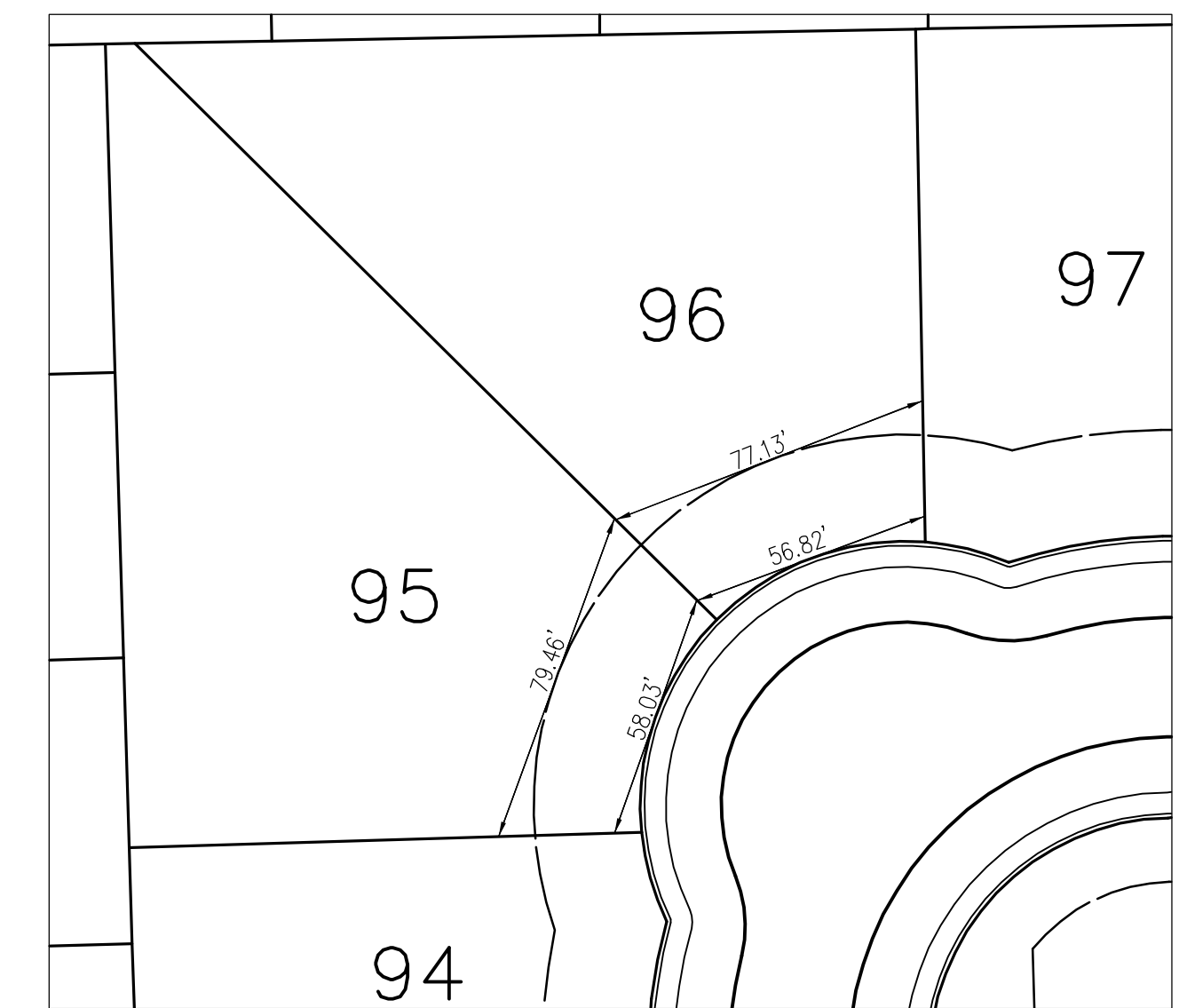
SCALE: 1" = 40'



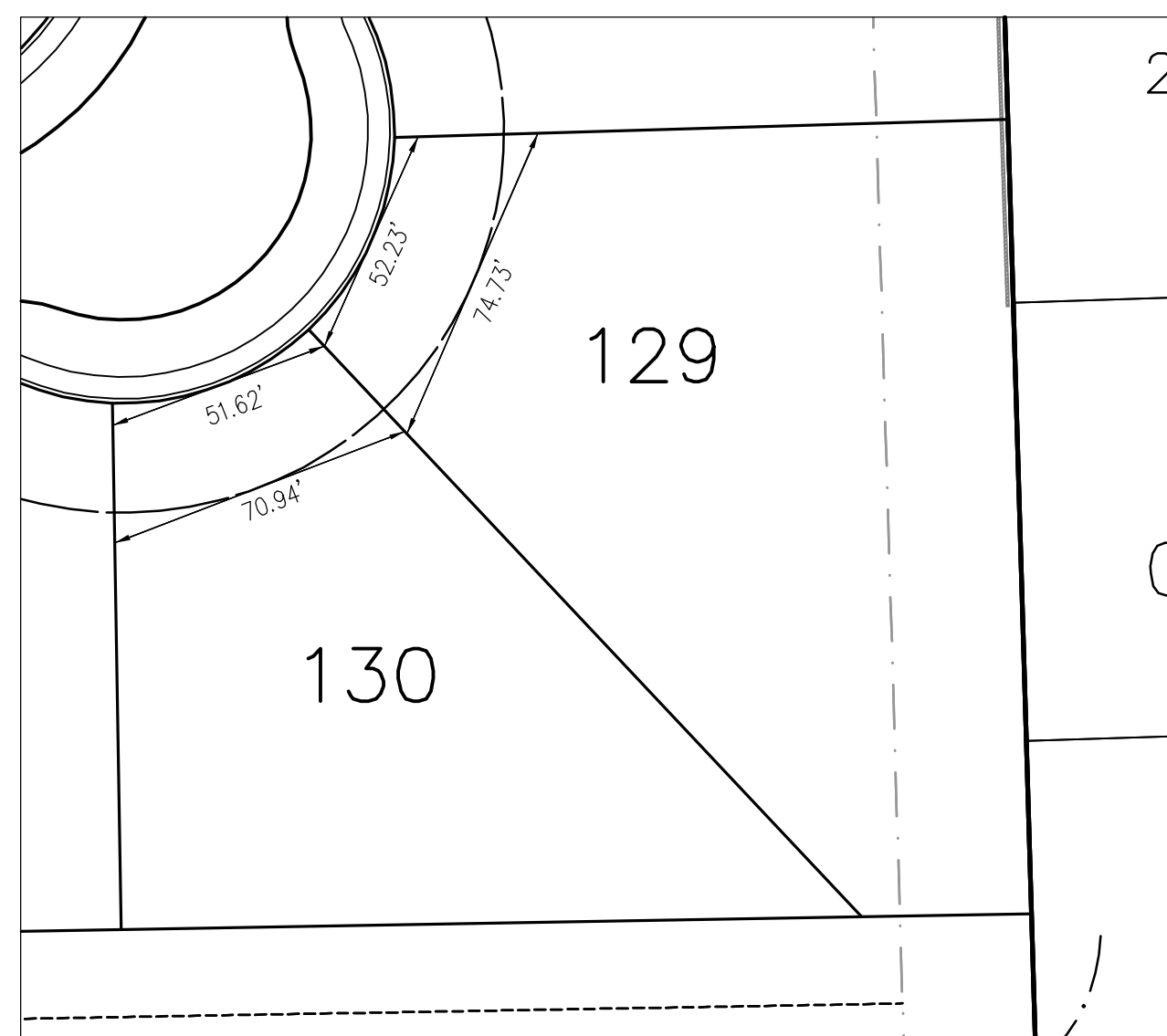
SCALE: 1" = 40'



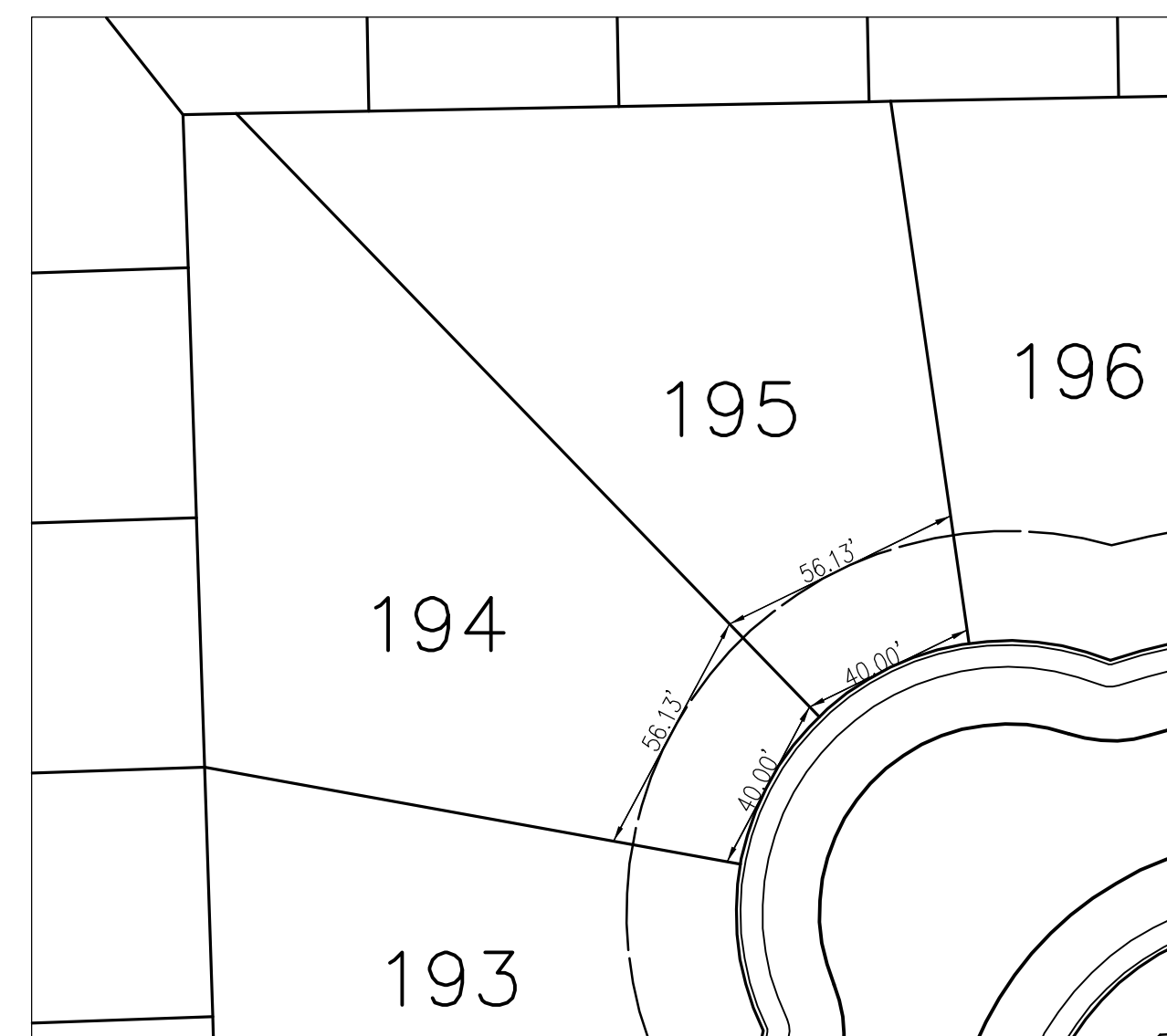
SCALE: 1" = 40'



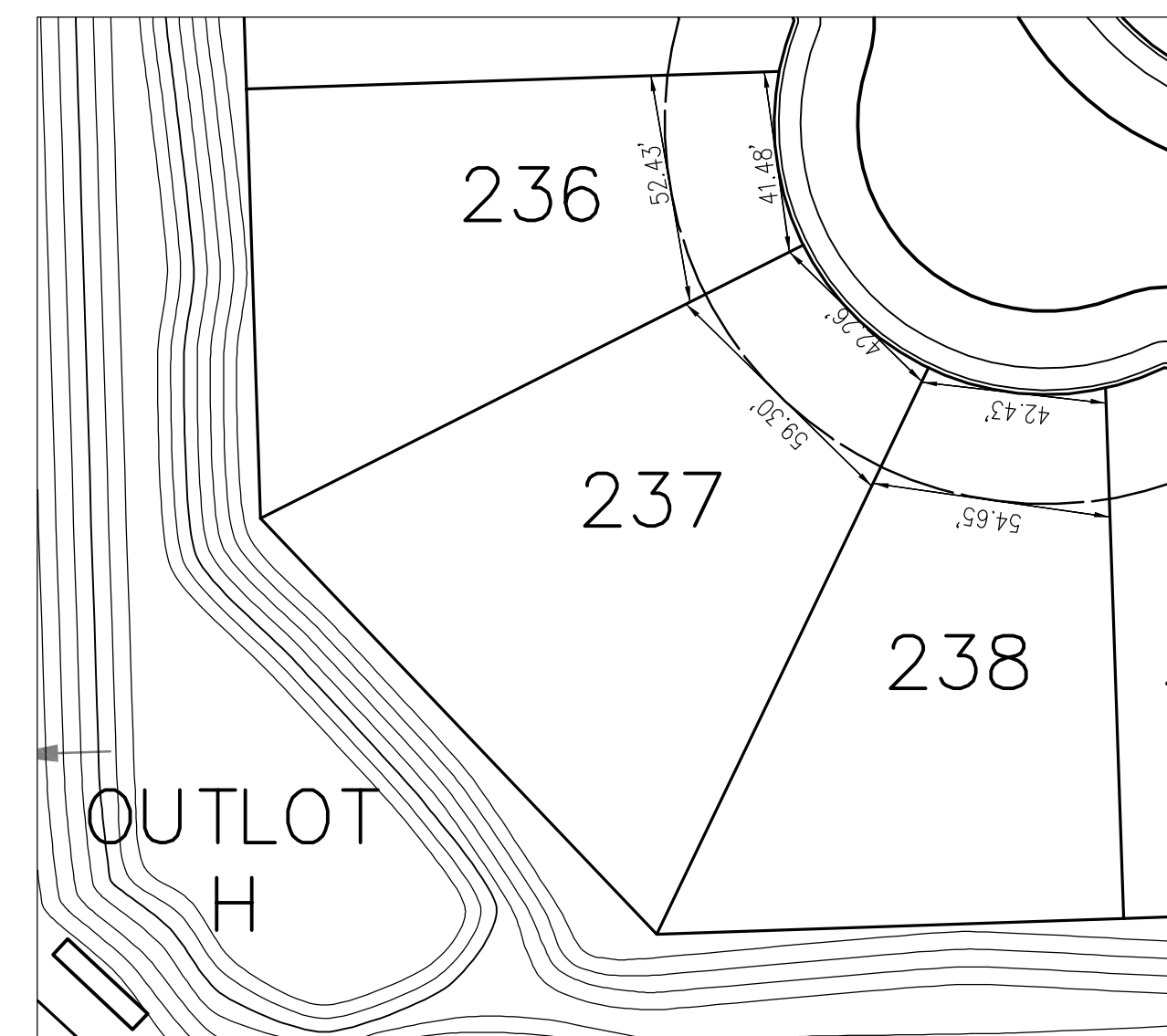
SCALE: 1" = 40'



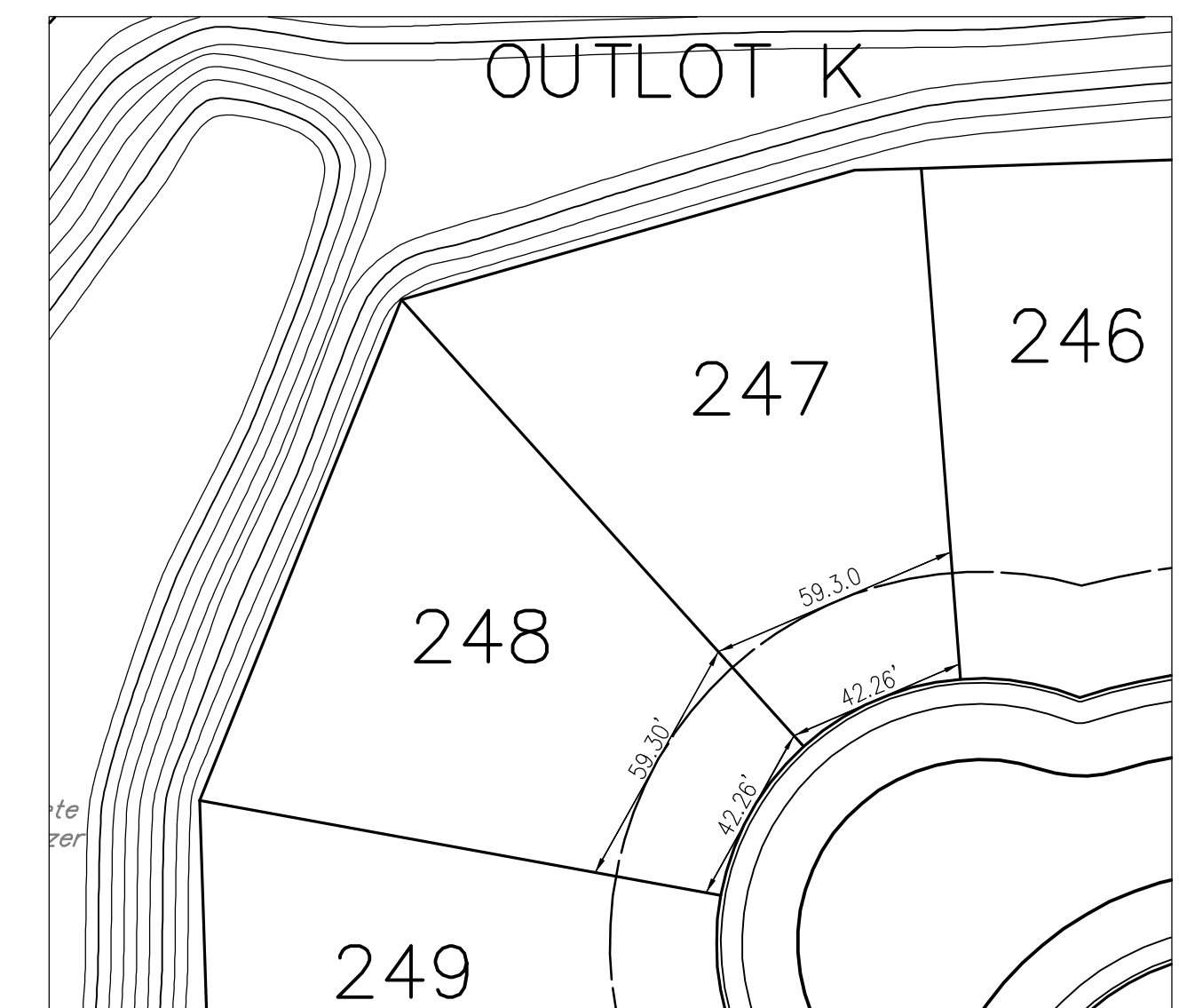
SCALE: 1" = 40'



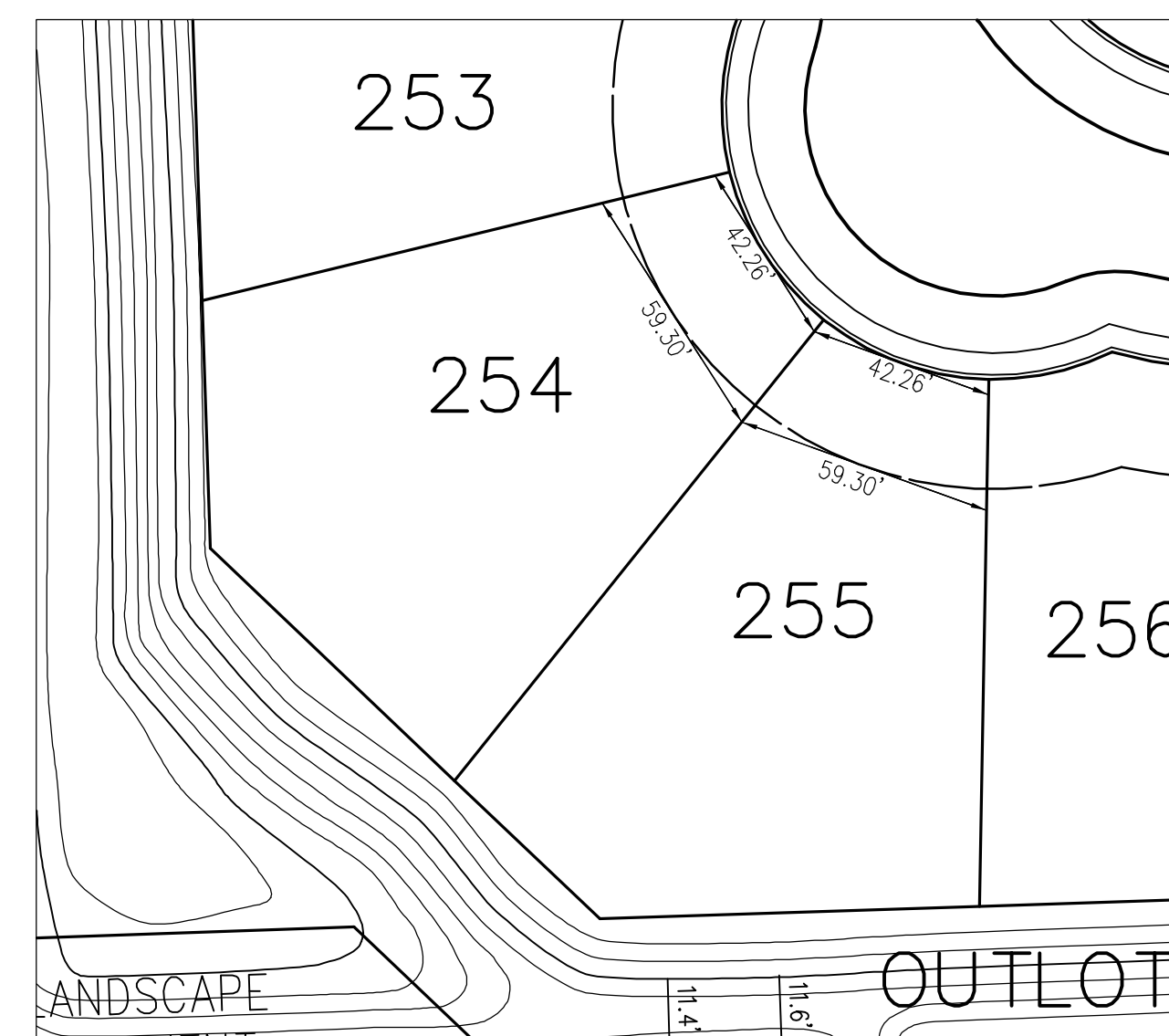
SCALE: 1" = 40'



SCALE: 1" = 40'



SCALE: 1" = 40'



SCALE: 1" = 40'

PREPARED FOR:
PULTE HOME COMPANY, LLC,
1900 E. GOLF ROAD, SUITE 300
SCHAUMBURG, IL 60173
(847) 230-5400

PREPARED BY:
CEMCON, Ltd.
Consulting Engineers, Land Surveyors & Planners
2280 White Oak Circle, Suite 100
Aurora, Illinois 60502-9675
PH: 630.862.2100 FAX: 630.862.2199
E-Mail: cadd@cemcon.com Website: www.cemcon.com

DISC NO.: 402109 FILE NAME: LOT EXHIBIT
DRAWN BY: PRP FLD. BK. / PG. NO.: BK./PG.
COMPLETION DATE: 11-13-18 JOB NO.: 402.109
XREF : TOPO PROJECT MANAGER : CRM
REVISIONS:

DRAWING PATH: P:\402109\WAGNER FARMS\EXHIBITS\LOT EXHIBITS.DWG
PLOT FILE CREATED: 11/12/2018 BY: PETER PLOSKWA