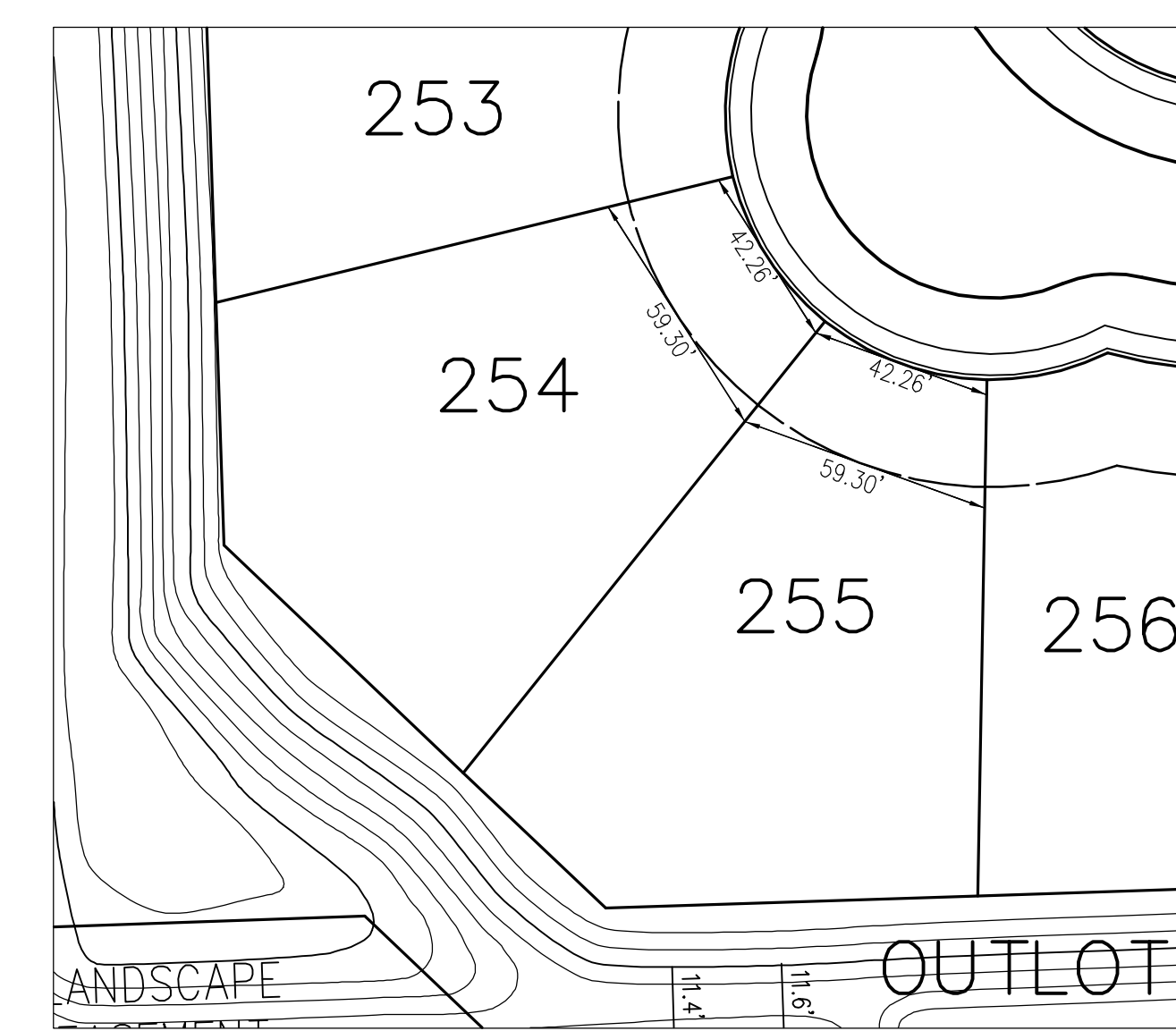
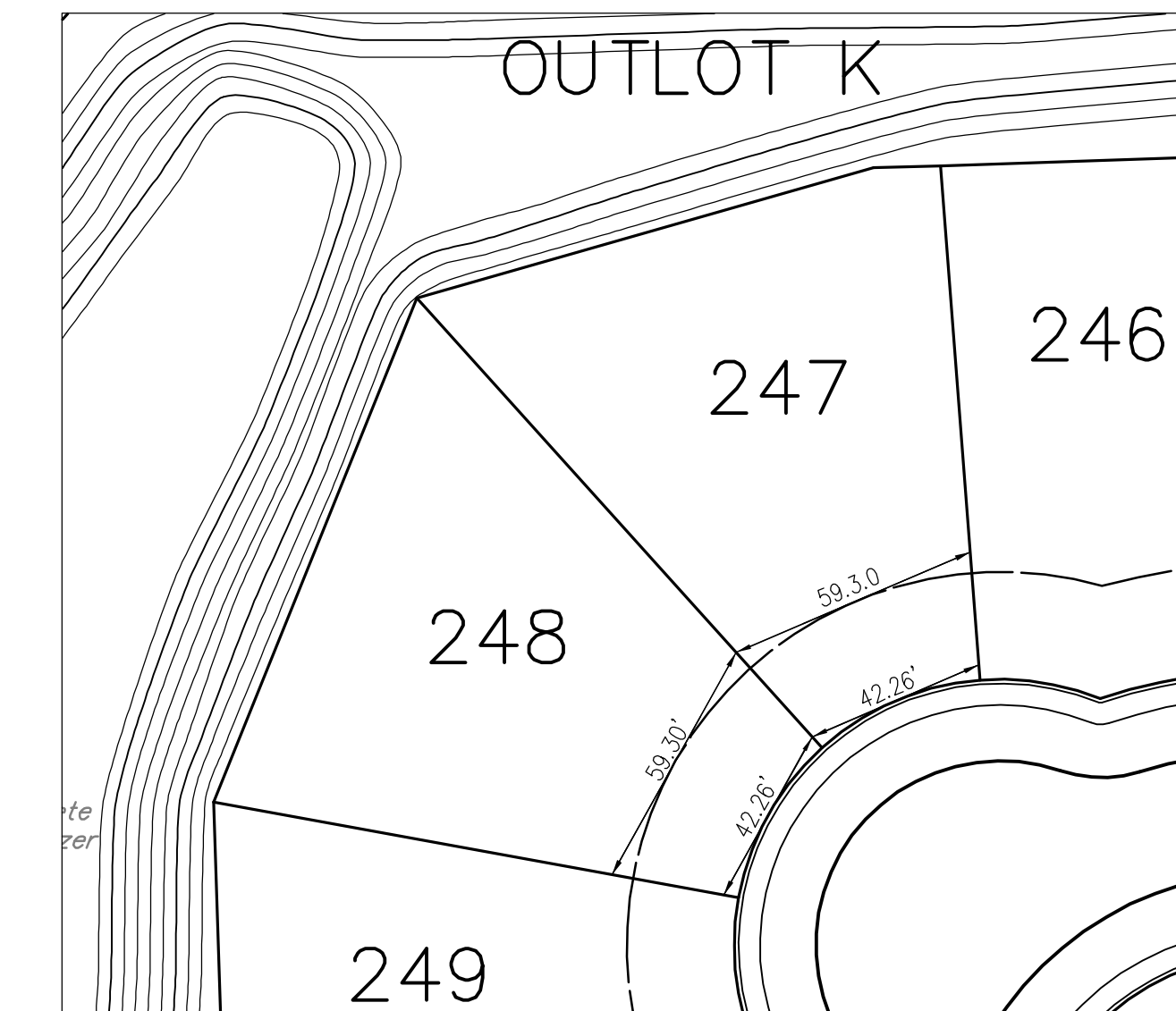
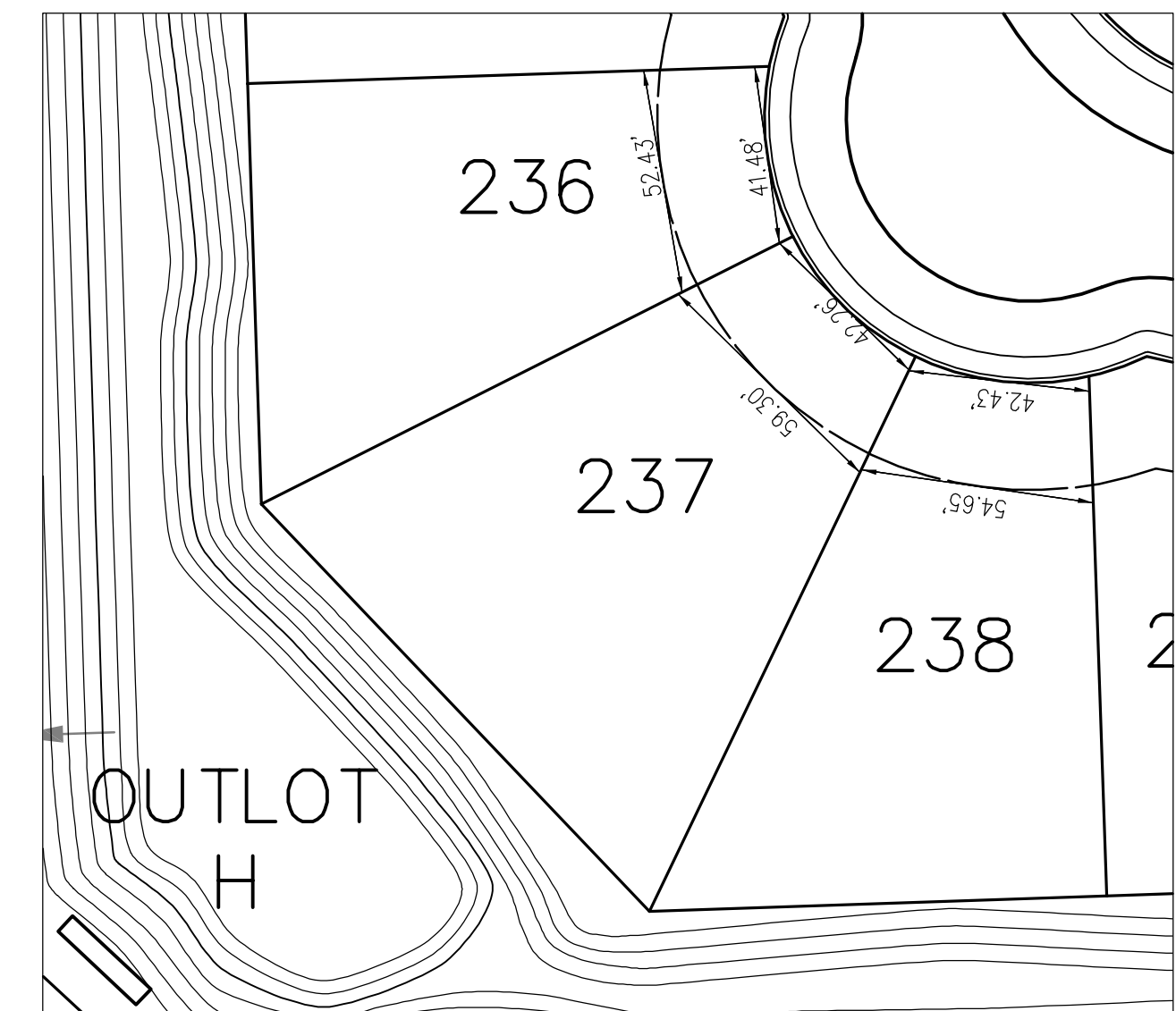
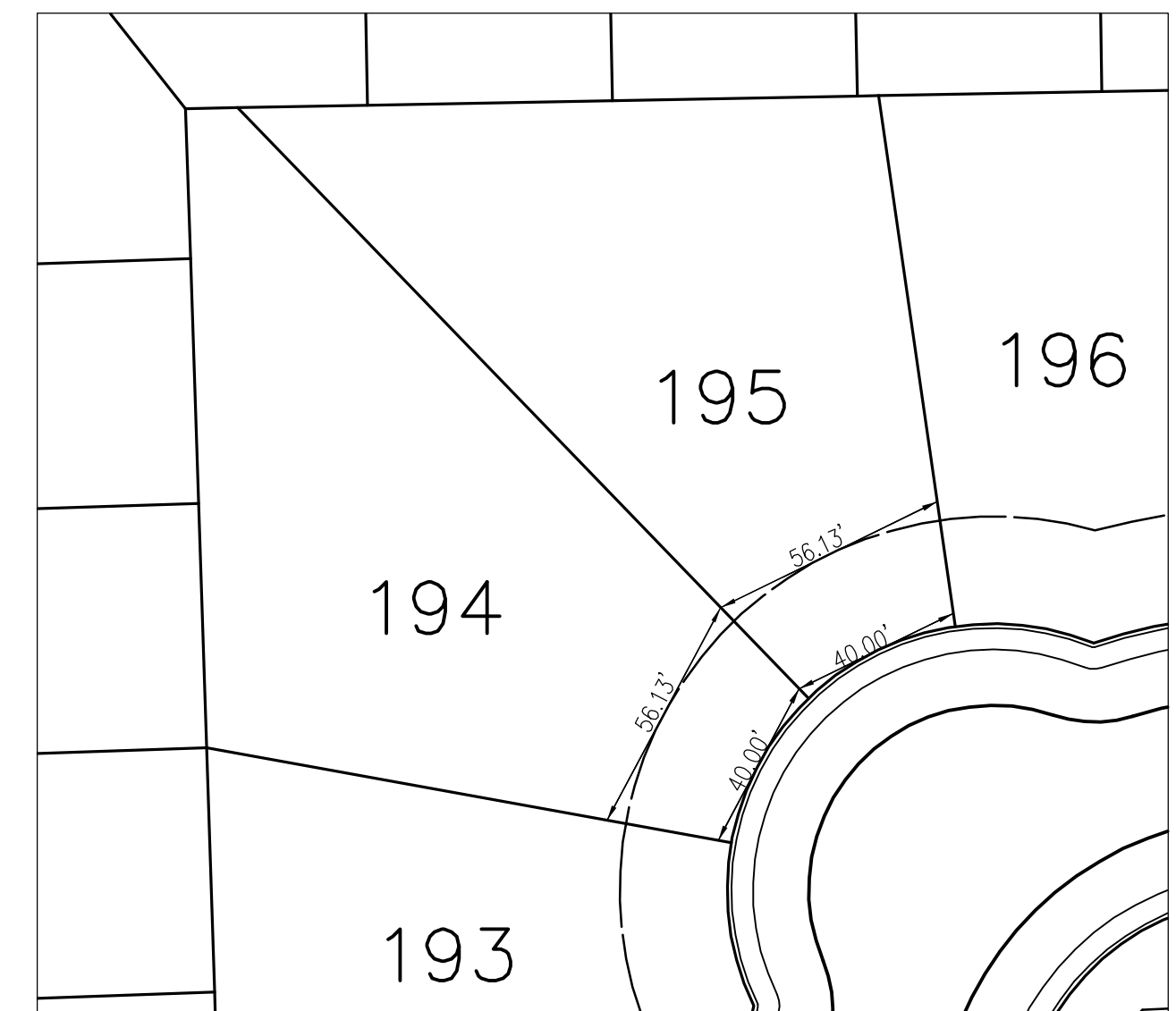
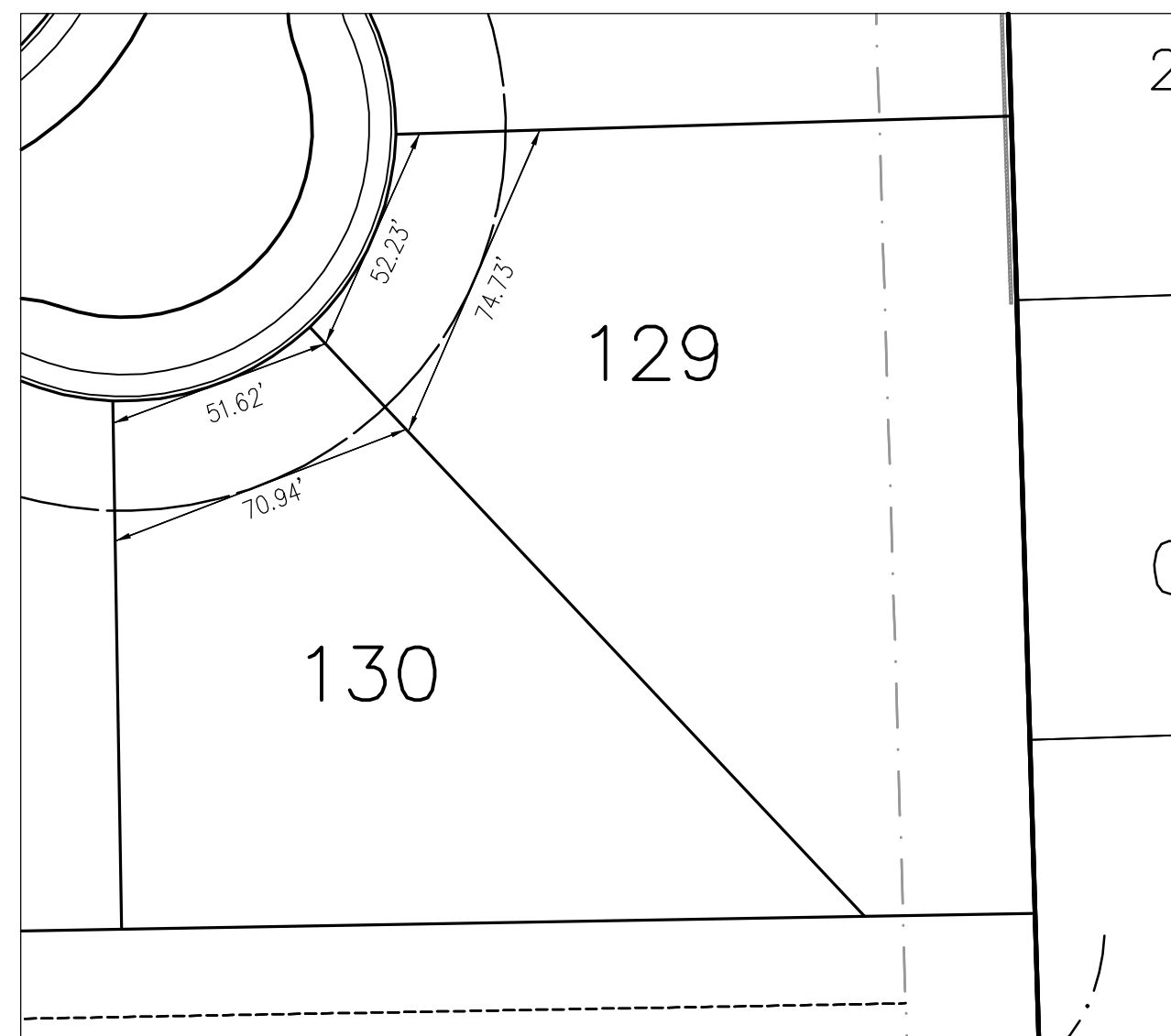
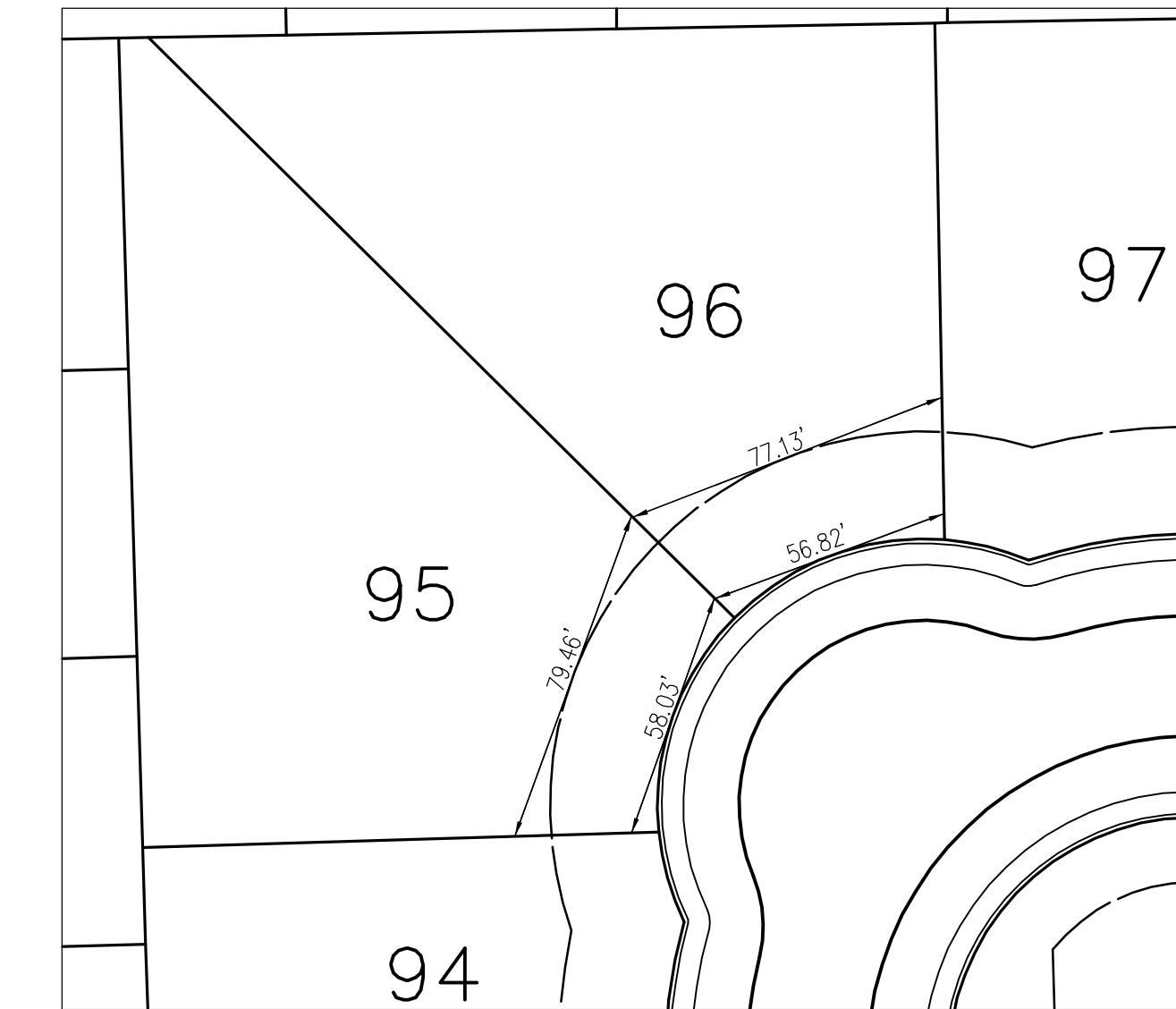
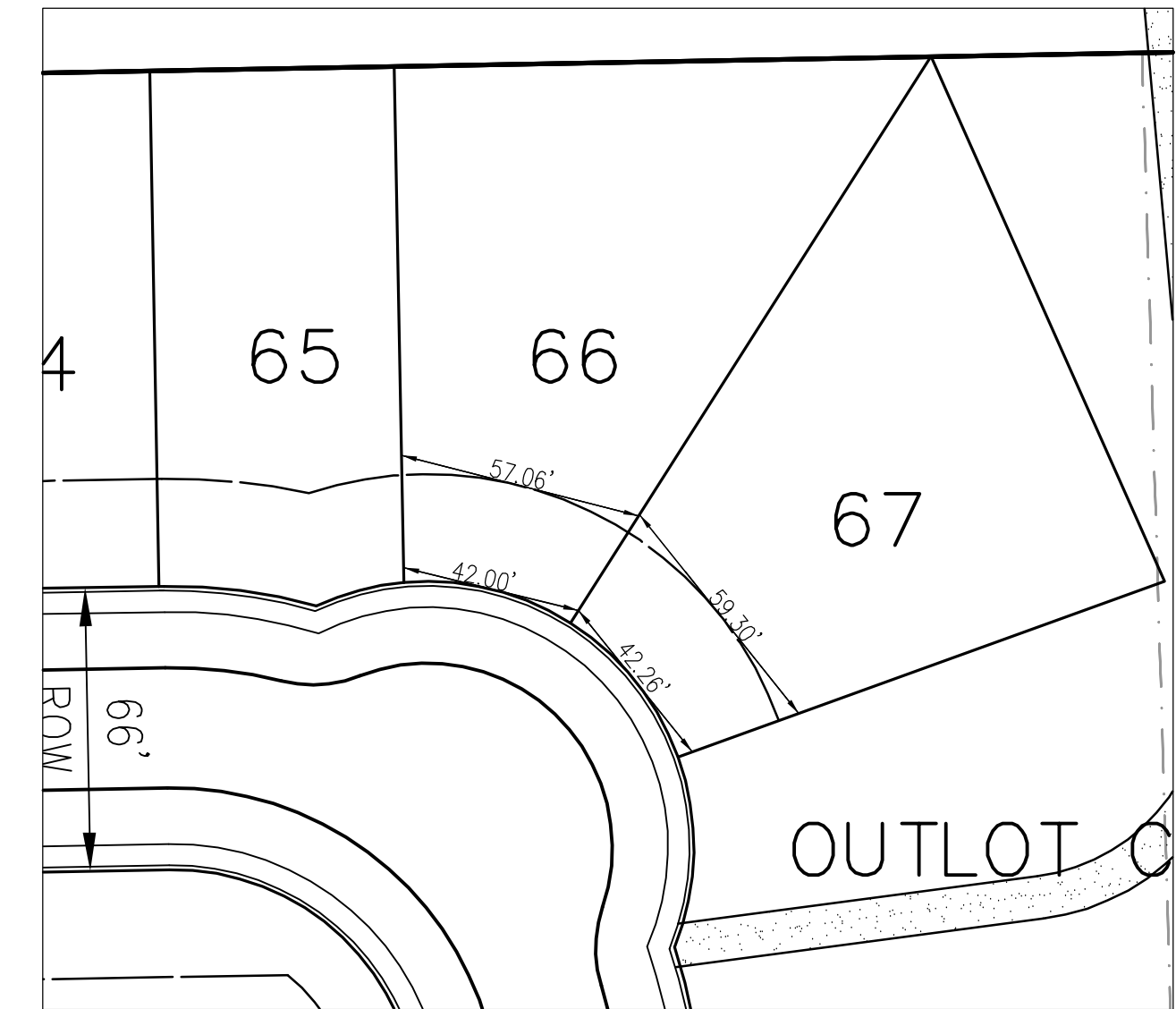
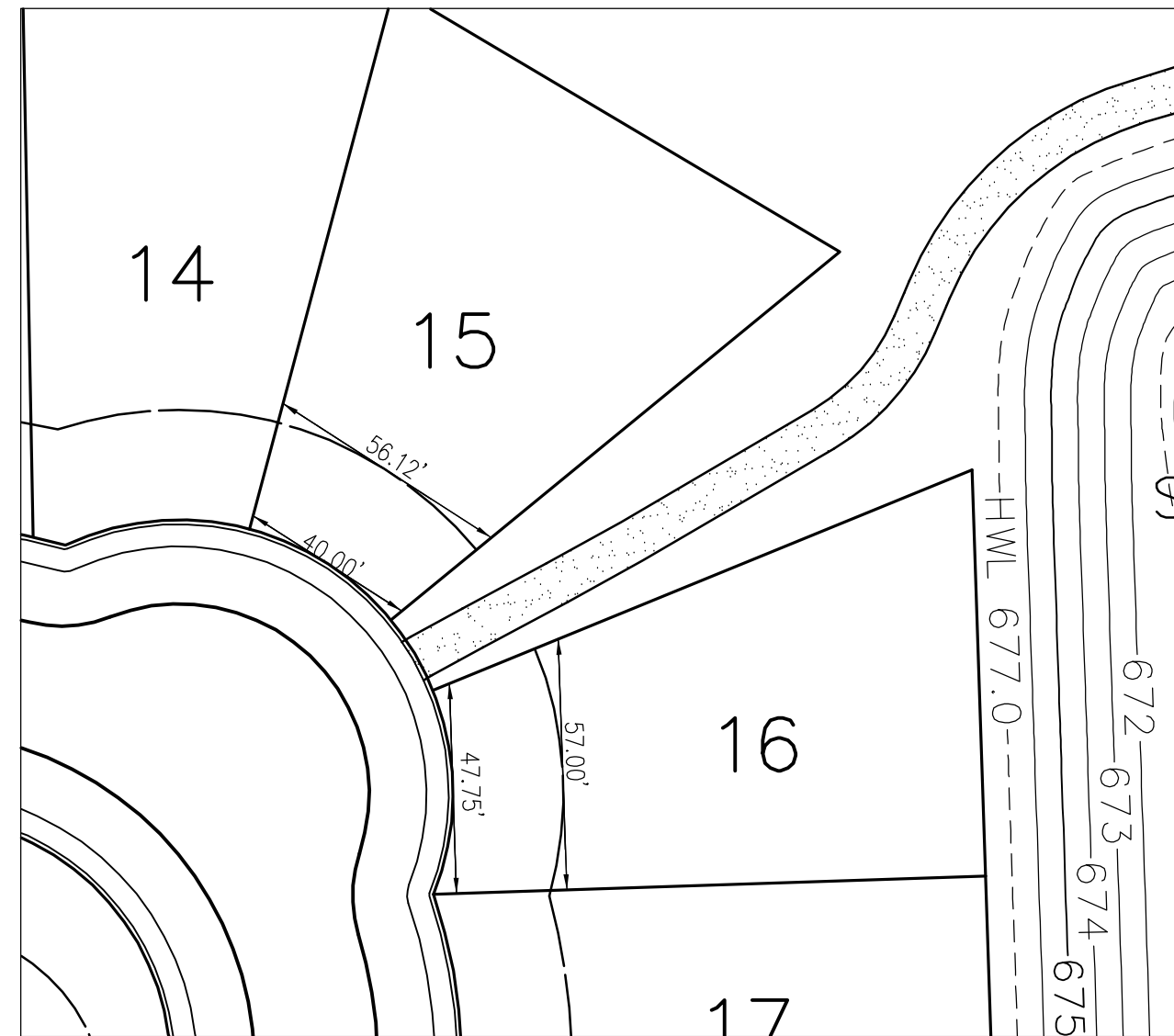


LOT WIDTH EXHIBIT FOR **WAGNER FARMS**

NAPERVILLE, ILLINOIS



PREPARED FOR:
PULTE HOME COMPANY, LLC,
 1900 E. GOLF ROAD, SUITE 300
 SCHAUMBURG, IL 60173
 (847) 230-5400

PREPARED BY:
CEMCON, Ltd.
 Consulting Engineers, Land Surveyors & Planners
 2280 White Oak Circle, Suite 100
 Aurora, Illinois 60502-9675
 PH: 630.862.2100 FAX: 630.862.2199
 E-Mail: cadd@cemcon.com Website: www.cemcon.com

DISC NO.: 402109 FILE NAME: LOT EXHIBIT
 DRAWN BY: PRP FLD. BK. / PG. NO.: BK./PG.
 COMPLETION DATE: 11-13-18 JOB NO.: 402.109
 XREF : TOPO PROJECT MANAGER : CRM
 REVISIONS:

DRAWING PATH: P:\402109\WAGNER FARMS\EXHIBITS\LOT EXHIBITS.DWG
 PLOT FILE CREATED: 11/12/2018 BY: PETER PLOSKWA