

Created: 12/23/21
Last revised: 2/17/22

**PROPERTY ADDRESS:
7S345 COLUMBIA STREET
NAPERVILLE, IL 60540**

**PINs:
08-19-219-003
08-19-219-004**

**RETURN TO:
CITY OF NAPERVILLE
CITY CLERK'S OFFICE
400 SOUTH EAGLE STREET
NAPERVILLE, IL 60540**

ANNEXATION AGREEMENT

FOR ROCAS HILL SUBDIVISION (7S345 COLUMBIA STREET)

THIS ANNEXATION AGREEMENT (“**Agreement**”) is entered into this ____ day of _____, 20____ (*insert date of signature of the Mayor which shall be the “EFFECTIVE DATE”*), between the CITY OF NAPERVILLE, an Illinois municipal corporation and home rule unit of local government under the statutes and Constitution of the State of Illinois, with offices at 400 South Eagle Street, Naperville, Illinois 60540, (hereinafter referred to as the “**CITY**”) and Nimisha Pavone, Anthony Pavone, Pradip Shah, and Sandhya Shah who reside at 1048 Whitewater Lane, Naperville, IL 60540 (hereinafter cumulatively referred to as the “**OWNER AND DEVELOPER**”).

RECITALS

1. **WHEREAS**, the OWNER AND DEVELOPER is the owner of record of all of the real property described in **EXHIBIT A**, which property is contiguous to the CITY and not within the corporate limits of any municipality (hereinafter referred to as the “**SUBJECT PROPERTY**”); and

2. **WHEREAS**, the OWNER AND DEVELOPER has signed and filed a Petition for Annexation and Zoning with the Naperville City Clerk for the SUBJECT PROPERTY; and

3. **WHEREAS**, all notices, publications, public hearings and all other matters attendant to such Petition for Annexation and Zoning, have been given, held or performed as required by statute or the CITY'S ordinances, regulations, and procedures; and

4. **WHEREAS**, the CITY'S corporate authorities have considered the annexation of the SUBJECT PROPERTY and have determined the Petition for Annexation and Zoning to be in order; and

5. **WHEREAS**, the OWNER AND DEVELOPER propose that the SUBJECT PROPERTY be developed pursuant to the zoning classification(s) specified in the CITY'S Zoning Ordinance, and the terms and conditions set forth and referenced herein; and

6. **WHEREAS**, in addition to the matters specified above, the parties hereto have considered all other matters and hereby agree that the development of the SUBJECT PROPERTY for the uses permitted in the R1A (Low Density Single-Family Residence) District of the CITY'S Zoning Ordinance and in accordance with the terms and conditions of this Agreement will inure to the benefit and improvement of the CITY and its residents, will promote the CITY'S sound planning and development, and will otherwise enhance and promote the general welfare of the CITY'S residents; and

7. **WHEREAS**, the CITY and the OWNER AND DEVELOPER have determined that the development of the SUBJECT PROPERTY should proceed as conveniently as possible and be subject to the ordinances, codes and regulations of the CITY, now in force and effect and as amended from time to time, unless specifically amended as part of the special terms and conditions contained in this Agreement.

NOW THEREFORE, in consideration of the premises and the mutual promises contained herein, the parties agree that:

GENERAL CONDITIONS FOR
THE ANNEXATION OF THE SUBJECT PROPERTY

G1.0 RECITALS.

G1.1 The above-stated Recitals are a material part of this Agreement and are hereby incorporated in this Subsection G1.1 by reference.

G2.0 ANNEXATION AND ZONING.

G2.1 The SUBJECT PROPERTY shall be zoned as set forth in the Recitals and in the Special Conditions below.

G2.2 If this Agreement and the Ordinance approving this Agreement, and those ordinances pertaining to the SUBJECT PROPERTY which were approved by the CITY concurrently with this Agreement, are not recorded with the office of the Recorder in the county in which the SUBJECT PROPERTY is located within the timeframe set forth in said ordinance(s), as may be amended, said Ordinance and ordinances shall be automatically null and void without further action being taken by the City and the OWNER AND DEVELOPER shall defend, indemnify, and hold the CITY and its officers, agents, and employees harmless for any error or omission in recording or for failure to timely record.

G2.3 Notwithstanding the area, lot, yard, and height standards contained in the Naperville Zoning Code for the zoning classification granted pursuant to this Agreement, after the fifth (5th) year after this Agreement is approved, if the SUBJECT PROPERTY is developed with any residential uses, the SUBJECT PROPERTY may only be developed with uses which comply with the density limitations specified in the then-current zoning classification applicable to the SUBJECT PROPERTY.

G3.0 ANNEXATION FEES.

G3.1 The OWNER AND DEVELOPER have paid all applicable annexation fees specified in Section S2.0 in accordance with Section 1-9E-1 of the Naperville Municipal Code.

G4.0 PARK DISTRICT ANNEXATION.

G4.1 The OWNER AND DEVELOPER have filed concurrently herewith a petition executed by OWNER AND DEVELOPER to annex the SUBJECT PROPERTY to the Naperville Park District. Said petition is conditional and not effective until annexation of the SUBJECT PROPERTY to the City of Naperville.

G5.0 TRANSPORTATION IMPACT FEES – INTENTIONALLY OMITTED.

G6.0 SIDEWALKS AND OTHER TRANSPORTATION RELATED PUBLIC IMPROVEMENTS.

G6.1 Prior to recordation of a Final Plat of Subdivision for any portion of the SUBJECT PROPERTY, the OWNER AND DEVELOPER shall, at their sole cost and expense, and at the discretion of the City Engineer:

1. construct sidewalks along the entire frontage of the SUBJECT PROPERTY adjacent to public right-of-way, as approved by the City Engineer; or
2. pay to the CITY the estimated cost to construct sidewalks along the entire frontage of the SUBJECT PROPERTY adjacent to public right-of-way. Upon payment, OWNER AND DEVELOPER shall have no further obligation to construct said sidewalk.

G7.0 UTILITY LINES AND EASEMENTS.

G7.1 The OWNER AND DEVELOPER shall grant to the CITY, at no cost to the CITY, any easements within the SUBJECT PROPERTY which the CITY may determine are necessary for the purposes of constructing, installing, replacing and maintaining sanitary sewers, water mains, electric service facilities, and other utilities necessary or incidental to service the SUBJECT PROPERTY.

G7.2 The CITY shall allow the OWNER AND DEVELOPER to use appropriate easements obtained by the CITY from other parties for the purpose of providing sanitary sewers, water mains and other utilities to service the SUBJECT PROPERTY.

G8.0 WATER SUPPLY AND DISTRIBUTION SYSTEM AND SANITARY SEWER COLLECTION SYSTEM.

G8.1 The OWNER AND DEVELOPER shall be solely responsible for the cost and expense incurred to extend the CITY'S water distribution system and sanitary sewer collection system to the SUBJECT PROPERTY. Payment shall be due at the time a building permit is issued if the CITY constructs and installs the proposed extension or any portion thereof.

G8.2 The CITY shall permit the connection of the structures reasonably contemplated to be built on the SUBJECT PROPERTY to the CITY'S water supply and distribution system and sanitary sewer collection system, and shall supply water and collection facilities thereto to the same extent as may be supplied to other structures and areas within the CITY.

G8.3 The OWNER AND DEVELOPER shall be responsible for the cost of all water lines and sanitary sewer lines and related appurtenances located on the SUBJECT PROPERTY.

G8.4 The OWNER AND DEVELOPER shall also be responsible to pay for all infrastructure availability charges, connection fees and user fees for the CITY'S water distribution system and sanitary sewer collection system as set forth in the CITY'S ordinances, rules, and regulations.

G9.0 WASTEWATER TREATMENT PLANT CAPACITY.

G9.1 The CITY guarantees that at the time building permits are requested, sufficient wastewater treatment plant capacity shall exist to provide complete and adequate wastewater treatment services for the SUBJECT PROPERTY without payment of any fees other than those specified in Subsection G9.2 of this Agreement.

G9.2 The OWNER AND DEVELOPER shall pay all applicable wastewater infrastructure availability charges, connection fees and customary wastewater user fees in accordance with Title 8 of the Naperville Municipal Code, as amended and any rules and regulations promulgated pursuant to Title 8.

G10.0 UTILITY OVERSIZING.

G10.1 The OWNER AND DEVELOPER shall construct and install at its sole cost and expense all water and sanitary sewer lines shown on the approved final engineering plans submitted for development of the SUBJECT PROPERTY.

G10.2 The CITY shall pay for oversized water or sanitary sewer lines constructed as required by the CITY in accordance with the provisions of this Section to provide for increased capacity, not merely to compensate for slope differential.

G10.3 Upon installation and acceptance by the CITY of said oversized lines, for residential lines, the CITY shall reimburse the OWNER AND DEVELOPER for the difference between the cost to construct an eight (8") inch line and the cost to construct the oversized line. For non-residential lines, the CITY shall reimburse the OWNER AND DEVELOPER for the difference between the cost to construct a twelve (12") inch line and the cost to construct the oversized line.

G10.4 All such oversized lines shall be constructed and installed in strict accordance with the provisions of Section 7-3-6 of the Naperville Municipal Code (Cost Sharing Policy), as amended.

G11.0 UTILITY REBATES, SPECIAL CONNECTION FEES, RECAPTURE FEES, SPECIAL ASSESSMENTS OR SPECIAL SERVICE AREAS TAXES.

G11.1 OWNER AND DEVELOPER shall pay any and all existing Utility Rebates, Special Connection Fees, Recapture Fees, Special Assessments, or Special Service Area Taxes when due as specified in Section S3.0.

G11.2 OWNER AND DEVELOPER shall further pay any and all future Utility Rebates, Special Connection Fees, Special Assessments, Recapture Fees, or Special Service Area Taxes, which may be properly and legally approved, established, or levied in the future. Notwithstanding the foregoing, this provision does not abrogate the right of any property owner to contest any Special Assessment or Special Service Area Tax.

G11.3 The sum of the monies to be paid pursuant to 70 ILCS 705/20(e)(1)-(5) as a result of disconnection of the SUBJECT PROPERTY from a fire protection district shall be the sole responsibility of the OWNER AND DEVELOPER which responsibility shall be deemed fulfilled upon payment of said sum to the CITY. Payment in full shall be paid prior to recordation of the ordinance approving annexation of the Subject Property to the CITY and prior to recordation of this Agreement. Failure or oversight to collect said sum shall not release the OWNER AND DEVELOPER from liability therefore. This provision shall survive the expiration or termination of this Agreement.

G12.0 ELECTRICAL UTILITY SERVICE.

G12.1 The CITY shall connect the structures reasonably contemplated to be built on the SUBJECT PROPERTY to the CITY'S electrical utility system, and shall supply electrical service to those structures to the same extent service is provided on a regular basis to CITY'S other electric customers.

G12.2 The OWNER AND DEVELOPER shall accept all electrical power and energy required for the SUBJECT PROPERTY from the CITY'S electrical utility system at the time such service is available.

G12.3 The OWNER AND DEVELOPER shall pay all applicable connection fees, and costs related to on-site electrical distribution facilities and customary user fees in accordance with Title 8 of the Naperville Municipal Code.

G13.0 REFUSE AND WEED CONTROL.

G13.1 During all phases of construction, OWNER AND DEVELOPER shall provide a sufficient number of construction-sized dumpsters to contain all trash and debris generated throughout the entire area of the project.

G13.2 OWNER AND DEVELOPER shall prevent such containers from overflowing and shall prevent debris from blowing from the site by having the containers emptied as soon as reasonably possible once they are filled.

G13.3 During all phases of construction, OWNER AND DEVELOPER shall regularly cut all weeds and grass in excess of eight (8") inches high on the site and on the right-of-way adjacent to the site.

G14.0 CHANGES TO ORDINANCES AND REGULATIONS.

G14.1 If during the first five (5) years of the term of this Agreement, the provisions of the existing Naperville Zoning Code as it relates to the SUBJECT PROPERTY are amended to impose more stringent requirements in the subdivision, development, or construction on the SUBJECT PROPERTY, then such more stringent requirements shall not be effective as applied to the SUBJECT PROPERTY unless such change is agreed to by the parties hereto. This provision shall not apply to amendments to the Naperville Municipal Code related to conditional uses other than those conditional uses already approved by the Naperville Plan Commission for the SUBJECT PROPERTY.

G14.2 Except as provided in Subsections G14.2.1 and G14.2.2 and G14.2.3 of this Section, if, during the first two (2) years of the term of this Agreement, the provisions of CITY ordinances or regulations are amended or modified to impose more stringent requirements for the subdivision, or construction of the site development improvements for the SUBJECT PROPERTY than were in effect as of the date of approval of this Agreement, which improvements are specified in the submitted and approved Final Engineering Plans, such amendments or modifications shall not be effective as applied to the SUBJECT PROPERTY, unless such amendments are agreed to by the parties *or* such amendments are adopted to protect the health or safety of the CITY'S residents.

G14.2.1 Any ordinances, standards, or regulations which are the subject of the CITY'S Flood Plain or Stormwater Ordinances for either DuPage or Will County shall be exempt from the provisions of subsection G14.2.

G14.2.2 Any CITY ordinances establishing the payment of subdivision, or development fees, or any taxes, dedication requirements, or reimbursement for costs which may be applicable to the SUBJECT PROPERTY shall be exempt from the provisions of subsection G14.2.

G14.2.3 Any CITY Building, Fire or Life Safety Codes or ordinances or regulations approved after the date of approval of this Agreement shall be exempt from the provisions of G14.2

G14.3 If, during the term of this Agreement, any existing, amended, modified or new ordinances, codes or regulations affecting the zoning, subdivision, development, construction of any improvements, buildings, appurtenances, or any other development of any kind or character upon the SUBJECT PROPERTY, other than those upon which site plan approval may be based, are amended or modified to impose less restrictive requirements on development or construction upon properties situated within the CITY'S boundaries, then the benefit of such less restrictive requirements shall inure to the benefit of the OWNER AND DEVELOPER, and anything to the contrary contained herein notwithstanding, the OWNER AND DEVELOPER may proceed with development or construction upon the SUBJECT PROPERTY pursuant to the less restrictive amendment or modification applicable generally to all properties within the CITY.

G15.0 EXISTING STRUCTURES.

G15.1 At the time this Agreement is fully executed by the parties hereto, where there are any structures on the SUBJECT PROPERTY:

G15.1.1 A City of Naperville street address shall be assigned to the SUBJECT PROPERTY in accordance with Section 9-2-2 of the Naperville Municipal Code, as amended from time to time within thirty (30) days after this Agreement is fully executed by the parties hereto.

G15.1.2 Any existing structures on the SUBJECT PROPERTY shall be fully accessible for emergency vehicles, including two (2) points of access, and any "Special Conditions for the Annexation of The SUBJECT PROPERTY" set forth below ("Special Conditions").

G15.2 At the time this Agreement is fully executed by the parties hereto, any existing structures on the SUBJECT PROPERTY which fail to conform to the requirements of the CITY'S duly adopted Building and Fire Prevention Codes, as amended from time to time, shall be

brought into conformity with such requirements pursuant to any Special Conditions set forth below.

G16.0 EFFECT OF THIS AGREEMENT.

G16.1 Except as provided in Section G14.0 of this Agreement, if any relevant existing CITY resolution, ordinance, regulations, or interpretation thereof, is inconsistent with or conflicts with any provision of this Agreement, then the provisions of this Agreement shall supersede the terms of said inconsistent resolutions, ordinances, or regulations as they may be applicable to the SUBJECT PROPERTY.

G17.0 NO DISCONNECTION OR DEANNEXATION.

G17.1 Neither the OWNER nor the DEVELOPER nor any of their successors in interest shall file, cause to be filed, or take any action that would result in the disconnection or deannexation of the SUBJECT PROPERTY from the CITY during the term of this Agreement.

G18.0 MODIFICATIONS TO THIS AGREEMENT.

G18.1 If the OWNER AND DEVELOPER or the CITY wish to modify this Agreement, the CITY shall hold the necessary public hearings.

G18.2 Such hearings shall be held and an approval granted or denial given without unreasonable delay after the request is made.

G18.3 This Section shall not be construed to require the CITY to modify this Agreement.

G18.4 Any such amendment or modification may be made only as to a portion of the SUBJECT PROPERTY, or as to the provisions applying exclusively thereto, and may be without the consent of the owners of other portions of the SUBJECT PROPERTY not affected by the amendment or modification.

G19.0 BINDING EFFECT AND TERM.

G19.1 The parties intend that the terms and conditions of this Agreement shall be a covenant running with the land and shall be recorded against the title of the SUBJECT PROPERTY in the Office of the Recorder of the county in which the SUBJECT PROPERTY is located, and shall be binding upon and inure to the benefit of the parties hereto, grantees, successors in interest, assignees, heirs, executors, or lessees (whether their interest is in the SUBJECT PROPERTY as a whole or in any portion or aspect thereof), and upon any successor

CITY officials and successor municipalities for a period of ten (10) years from the EFFECTIVE DATE of this Agreement.

G19.2 The zoning classification for the SUBJECT PROPERTY established by this Agreement shall survive the expiration or termination of this Agreement unless changed in accordance with applicable law.

G19.3 Any obligation owed by OWNER AND DEVELOPER for payment or reimbursement of monies provided for herein shall survive the termination or expiration of this Agreement.

G19.4 Any obligations to be performed hereunder by OWNER AND DEVELOPER shall survive the expiration or termination of this Agreement.

G20.0 CONTINUING RESPONSIBILITY.

G20.1 If the OWNER AND DEVELOPER sells or conveys all or any portion of the SUBJECT PROPERTY during the term of this Agreement, all of the OWNER AND DEVELOPER'S obligations specified in this Agreement shall devolve upon and be assumed by such purchaser, grantee, or successor in interest, and the OWNER AND DEVELOPER shall be released from such obligations, provided the conditions of subsection G20.2 of this Agreement have been met.

G20.2 No sale or conveyance shall be effective to release the OWNER AND DEVELOPER from the obligations imposed by this Agreement until the purchaser or grantee has posted good and sufficient surety, as determined by the CITY, to secure the performance of all of the OWNER AND DEVELOPER'S obligations contained in this Agreement and as required by CITY ordinance, policy, or regulation.

G20.3 Any provision contained in this Agreement which provides for payment or reimbursement of money to the CITY, and/or which provides for the dedication or conveyance of property to the CITY, shall survive the expiration or termination of this Agreement.

G21.0 SEVERABILITY.

G21.1 If any of the provisions of this Agreement are determined by a court of competent jurisdiction to be invalid, such provisions shall be deemed to be stricken, and such adjudication shall not affect the validity of the remainder of the terms of this Agreement as a whole or of any section, subsection, sentence or clause not adjudged to be invalid.

G21.2 The invalidity of any such provision shall not affect any zoning classification for the SUBJECT PROPERTY that has been approved by the CITY pursuant to the provisions of the CITY'S ordinances and regulations. Any change to such zoning classification shall take place only in accordance with applicable statutes and ordinances.

G22.0 NOTICES.

G22.1 Any notice or demand hereunder from one party to another party or to an assignee or successor in interest of either party or from an assignee or successor in interest of either party to another party, or between assignees or successors in interest of either party shall be in writing and shall be deemed duly served if mailed by prepaid registered or certified mail addressed to the parties specified in Section S4.0 or any individual or entity substituted according to subsection G22.2 of this Agreement.

G22.2 The parties, or any assignee or successor in interest, may substitute names and addresses for notices as appropriate.

G23.0 GOVERNING LAW AND VENUE.

G23.1 This Agreement shall be governed by the laws of the State of Illinois both as to interpretation and performance, and any legal proceeding of any kind arising from this Agreement shall be filed in the Circuit Court for the Eighteenth Judicial Circuit, DuPage County, Illinois.

G24.0 FORCE MAJEURE.

G24.1 Subject to the provisions of G24.2 whenever a period of time is provided for in this Agreement for either the CITY or OWNER AND DEVELOPER to do or perform any act or obligation, neither party shall be liable for any delays or inability to perform due to causes beyond the control of said party such as war, riot, strike or lockout by or against either party's own employees or suppliers, unavoidable casualty or damage to personnel, materials or equipment, fire, flood, storm, earthquake, tornado or any act of God.

G24.2 Provided, however, that said time period shall be extended for only the actual amount of time said party is so delayed. Except as to a strike or lockout by or against either party's own employees or suppliers, an act or omission shall not be deemed to be "beyond OWNER AND DEVELOPER'S control" if committed, omitted or caused by OWNER AND DEVELOPER, OWNER AND DEVELOPER'S employees, officers or agents or a subsidiary, affiliate or parent of OWNER AND DEVELOPER or by any corporation or other business entity that holds a controlling interest in OWNER AND DEVELOPER, whether held directly or indirectly.

G25.0 ENFORCEABILITY.

G25.1 This Agreement shall be enforceable by any of the parties hereto by any appropriate action at law or in equity to secure the performance of the covenants and terms of this Agreement. In the event that the CITY seeks enforcement of any aspect of this Agreement in a court of competent jurisdiction, and prevails in whole or in part in such action, the OWNER AND DEVELOPER shall reimburse the CITY for its costs and expenses, including but not limited to reasonable attorneys' fees (in-house or outside counsel) within thirty (30) days of receipt of an invoice therefor.

G26.0 CHALLENGE TO ANNEXATION.

G26.1 If the annexation of the SUBJECT PROPERTY is challenged in any court of legal jurisdiction, the parties to this Agreement agree to cooperate to defend the validity of said annexation. OWNER AND DEVELOPER agrees to hold the CITY harmless and to reimburse the CITY for any and all expenses incurred by the CITY for said defense including but not limited to reimbursement for any services of outside legal counsel. If the annexation of the SUBJECT PROPERTY is challenged and is held to be invalid: (a) any real estate taxes which have been paid to the CITY shall not be rebated to the OWNER AND DEVELOPER, or its successors and assigns; and (b) the CITY shall enter into a separate written service agreement with the OWNER AND DEVELOPER, or its successor and assigns, so as to provide utility service to the SUBJECT PROPERTY in accordance with the general terms of this Agreement to the extent permitted by law.

G27.0 TIMING OF GRANTS OF PROPERTY INTERESTS.

G27.1 When any dedication of right-of-way, grant of easement, or other dedication or grant of property interests to the CITY is provided for in this Agreement, said dedication or grant shall occur prior to, or simultaneously with, the recording of any final plat of subdivision or issuance of any permit, whichever occurs first.

G27.2 Failure to comply with the timing requirements set forth in this Section shall not relieve the OWNER AND DEVELOPER of the obligations set forth in this Section, and the provisions of this Section shall survive the expiration or termination of this Agreement.

G28.0 NON-WAIVER OF RIGHTS.

G28.1 No failure of either Party to exercise any power given to it hereunder or to insist upon strict compliance by the other party with its obligations hereunder, and no

custom or practice of the Parties at variance with the terms hereof, nor any payment under this Agreement shall constitute a waiver of either party's right to demand compliance with the terms hereof.

G29.0 CAPTIONS AND PARAGRAPH HEADINGS.

G29.1 Captions and paragraph headings are for convenience only and are not a part of this Agreement and shall not be used in construing it.

G30.0 ENTIRE AGREEMENT.

G30.1 This Agreement sets forth all the covenants, conditions and promises between the Parties with regard to the subject matter set forth herein and there are no covenants, promises, agreements, conditions or understandings between the Parties, either oral or written, other than those contained in this Agreement.

G31.0 AUTHORIZATIONS.

G31.1 The OWNER AND DEVELOPER'S authorized representatives who have executed this Agreement warrant that they have been lawfully authorized by the OWNER AND DEVELOPER to execute this Agreement on its behalf. The Mayor and City Clerk warrant that they have been lawfully authorized to execute this Agreement. The OWNER AND DEVELOPER shall deliver to the CITY within ten (10) days of the EFFECTIVE DATE on page 1 of this Agreement copies of all articles of incorporation, bylaws, resolutions, ordinances or other documents which evidence their legal authority to execute this Agreement.

G32.0 SURETY.

G32.1 All public improvements required to be done by the OWNER AND DEVELOPER for any phase of the SUBJECT PROPERTY shall be secured by a cash deposit or Letter of Credit in a form approved by the City Attorney, in an amount approved by the City Engineer, and in compliance with the Naperville Municipal Code. This provision shall apply whether or not a Letter of Credit is specified for each improvement. As to any surety or maintenance surety provided by the OWNER AND DEVELOPER to the CITY for public improvements related to development of the SUBJECT PROPERTY, OWNER AND DEVELOPER agrees that: (1) at no time shall the CITY be liable for attorneys' fees with respect thereto; (2) OWNER AND DEVELOPER shall be liable to pay the CITY'S reasonable attorneys' fees and costs (in-house or outside counsel) in enforcement thereof; and (3) the list of circumstances set forth in such surety (including any exhibit thereto) as bases for default

thereunder shall entitle the CITY to draw on said surety. Notwithstanding provision of said surety, until the public improvements have been accepted by the CITY, the OWNER AND DEVELOPER shall remain obligated for completion of said public improvements and/or (at the CITY'S sole discretion) to pay any costs for said public improvements to the extent that the surety is not sufficient to pay for the costs of the public improvements, or in the event of any denial, or partial denial, of coverage by the surety, or failure of the surety to timely respond to a demand for payment. The provisions set forth in this Section G32 shall survive the expiration or termination of this Agreement.

G33.0 ACCEPTANCE OF PUBLIC IMPROVEMENTS.

G33.1 Subject to approval by the City Engineer, the CITY shall accept public improvements installed by the OWNER AND DEVELOPER on the SUBJECT PROPERTY, or within the adjacent public right-of-way, pursuant to the process set forth in Section 7-1-7 of the Naperville Municipal Code. Upon CITY acceptance thereof, the OWNER AND DEVELOPER shall post a cash deposit or letter of credit in a form and amount approved by the City guaranteeing said improvements against defects in materials or workmanship in the amount of ten percent (10%) of the estimated cost of said improvement to be effective for a period of one year from the date of acceptance.

G34.0 EXHIBITS INCORPORATED.

G34.1 All exhibits attached or referenced herein are incorporated herein by reference and made part hereof.

G35.0 AMBIGUITY.

G35.1 If any term of this Agreement is ambiguous, it shall not be construed for or against any party on the basis that the party did or did not write it.

G36.0 RECAPTURE AGREEMENTS.

G36.1 If, pursuant to the terms of this Agreement, the OWNER AND DEVELOPER installs improvements, including but not limited to water distribution system improvements, sanitary sewer collection system improvements, storm sewer system improvements, roadway improvements, or other improvements (hereinafter "Improvements") which the OWNER AND DEVELOPER and the CITY reasonably determine will benefit properties other than the SUBJECT PROPERTY, the OWNER AND DEVELOPER may submit a request to the City Engineer for the City to enter into a recapture agreement ("Recapture

Agreement”). The OWNER AND DEVELOPER’S request must be accompanied by a draft of the proposed Recapture Agreement and documentation, to the satisfaction of the City Engineer, clearly demonstrating the “as built” costs of the Improvements for which recapture is sought. The proposed Recapture Agreement shall identify the benefitting properties and recapture amounts, which shall be subject to approval of the City Engineer. Subject to approval of the proposed Recapture Agreement by the City Engineer, approval of the form of the Recapture Agreement by the City Attorney, and any notice to be given to the benefitting property owners, the matter shall be scheduled for consideration by the Naperville City Council. If an ordinance approving the Recapture Agreement is passed by City Council, the Recapture Agreement shall be recorded against the title of the benefitting properties identified in the Recapture Agreement.

G36.1.1 If a proposed Recapture Agreement and supporting documentation are not provided to the City Engineer within twelve (12) months from completion of the Improvements, or such other timeframe as may be agreed to in writing by the City Engineer, the CITY shall no longer have any obligation to enter into a recapture agreement for Improvements hereunder.

**SPECIAL CONDITIONS FOR THE ANNEXATION OF
THE SUBJECT PROPERTY**

To the extent that there is any inconsistency between the terms or conditions of the following Special Conditions and the General Conditions above, the terms and conditions set forth in the Special Conditions of this Agreement shall prevail. To the extent that provisions in the Special and General Conditions are not inconsistent, they shall be read together.

S1.0 ANNEXATION AND ZONING.

S1.1 The Zoning Classification for the SUBJECT PROPERTY determined in accordance with Title 6 of the Naperville Municipal Code shall be R1A (Low Density Single-Family Residence District).

S1.2 A plat of annexation prepared by Civil & Environmental Consultants, Inc. dated October 12, 2021 last revised December 3, 2021, which conforms with the statutory requirements is attached hereto and incorporated herein by reference as **EXHIBIT B.**

S2.0 ANNEXATION FEES.

S2.1 The Annexation Fee calculated in accordance with Section 1-9E-1 of the Naperville Municipal Code for the SUBJECT PROPERTY is \$4,000.00.

S3.0 UTILITY REBATES, SPECIAL CONNECTION FEES, RECAPTURE FEES, SPECIAL ASSESSMENTS OR SPECIAL SERVICE AREAS TAXES.

S3.1 There are currently no Utility Rebates, etc. applicable to the SUBJECT PROPERTY.

S3.2 Notwithstanding the provisions of Section G11.3 herein, since the SUBJECT PROPERTY is located within the Naperville Fire Protection District, and prior to annexation was served by the Naperville Fire Department, the OWNER AND DEVELOPER has no obligation to make payment pursuant to 70 ILCS 705/20(e)(1)-(5).

S4.0 ADDRESSES FOR NOTICES REQUIRED BY THIS AGREEMENT.

IF TO THE CITY:

City Clerk, City of Naperville
400 South Eagle Street
Naperville, Illinois 60540

WITH COPIES TO:

City Attorney, City of Naperville
400 South Eagle Street
Naperville, Illinois 60540

IF TO THE OWNER AND DEVELOPER:

Nimisha & Anthony Pavone &
Pradip & Sandhya Shah
1048 Whitewater Lane
Naperville, Illinois 60540

WITH COPIES TO:

Caitlin Csuk
Rosanova & Whitaker, LTD.
127 Aurora Avenue
Naperville, IL 60540

S5.0 FIRE CODES AND REGULATIONS.

S5.1 The provisions of Section G14.0 this Agreement notwithstanding, any amendments to the CITY'S Building, Fire, or Life Safety Codes or regulations approved and enacted after the EFFECTIVE DATE of this Agreement shall be applicable to the SUBJECT PROPERTY without exception.

S6.0 PLAT APPROVAL.

S6.1 In lieu of the provisions of the CITY'S ordinances and in order to accomplish the reclassification of the SUBJECT PROPERTY as shown on the Preliminary/Final Plat of Subdivision prepared by Civil & Environmental Consultants, Inc. dated October 12, 2021 last revised January 18, 2022, attached hereto and incorporated herein by reference as **EXHIBIT C**, the CITY approves such exhibit and the same shall constitute and satisfy all of the requirements for the Preliminary/Final Plat for the SUBJECT PROPERTY as defined in the ordinances of the CITY.

S7.0 SCHOOL AND PARK DONATIONS.

S7.1 OWNER AND DEVELOPER agrees to abide by the school and park donation provisions set forth in Title 7 of the Naperville Municipal Code as amended from time to

time. All school and park donation requirements shall be met by the appropriate land donation or cash-in-lieu payments as are assessed at the time of Preliminary/Final Subdivision Plat approval. OWNER AND DEVELOPER acknowledge that the school and park donation established herein is done so pursuant to City of Naperville Ordinance and Code provisions and agrees that payment of said amount shall not be paid under protest.

S7.2 OWNER AND DEVELOPER elects to pay the required school and park donation cash-in-lieu fee pursuant to the “Estimated Lump Sum Payment” provisions set forth in Section 7-3-5:5.2.1 and Subsection 5:5.2.1.1 of the Naperville Municipal Code, as amended from time to time, the OWNER AND DEVELOPER shall receive a school and park donation credit for one (1) four-bedroom single-family residence. OWNER AND DEVELOPER has noted that the school and park donation will be paid via “Estimated Lump Sum Payment” on the Preliminary/Final Plat of Subdivision as required per Section 7-3-5:5.2.3 of the Naperville Municipal Code.

S7.3 The provisions of this Section S7, and each subpart hereof, shall survive the expiration or termination of this Agreement.

S8.0 SIDEWALKS.

S8.1 The OWNER AND DEVELOPER agrees to install public sidewalk, at the OWNER AND DEVELOPER’S sole cost, within the seven foot (7’) wide Public Sidewalk Easement across the Columbia Street frontage of the SUBJECT PROPERTY prior to issuance of the final occupancy permit or three (3) years after annexation of the SUBJECT PROPERTY or whichever is sooner. An extension of this timeframe may be granted in writing at the discretion of the City Engineer. The provisions in this Section S8.1 shall survive the expiration or termination of this Agreement.

S9.0 PARK DISTRICT ANNEXATION.

S9.1 Notwithstanding the provisions of Section G4.0, the SUBJECT PROPERTY is currently within the boundary of the Naperville Park District; annexation to the Park District is not required.

S10.0 COLUMBIA STREET.

S10.1 Columbia Street south of Parkside adjacent to the Subject Property does not meet CITY road standards. In order to improve the road to CITY standards, the OWNER AND DEVELOPER has the option to (1) pay the roadway improvement fee as described below in

Section S10.1.1 below for the Columbia Road improvements or (2) perform the Columbia Road Improvements as described in Section S10.1.2 below.

S10.1.1 The OWNER AND DEVELOPER shall pay to the CITY a Road Improvement Fee in the amount of \$57,000.00 (200 feet of frontage on Columbia Street at \$285 per lineal foot), which is the proportionate cost for the roadway improvements to be made adjacent to the SUBJECT PROPERTY on Columbia Street. Said sum is due prior to the recordation of the Ordinance annexing the SUBJECT PROPERTY and prior to recordation of this Agreement.; or

S10.1.2 The OWNER AND DEVELOPER shall improve Columbia Street adjacent to the SUBJECT PROPERTY as shown on the approved Final Engineering Plans prepared by Civil & Environmental Consultants, Inc. dated October 12, 2021 last revised January 18, 2022 (“**COLUMBIA ROAD IMPROVEMENTS**”). Said COLUMBIA ROAD IMPROVEMENTS shall be completed by the OWNER AND DEVELOPER and approved by the City prior to issuance of any occupancy permit for the Subject Property by the CITY. OWNER AND DEVELOPER shall be required to obtain surety by means of a letter of credit for the COLUMBIA ROAD IMPROVEMENTS in an amount approved by the City Engineer and, in a form, and from a source approved by the City Attorney, or by means of a cash deposit in the same amount pursuant to an agreement approved by the City Attorney.

S10.1.3 OWNER AND DEVELOPER shall notify the City Engineer in writing prior to recordation of the Rocas Hill Subdivision Ordinances whether they elect pay the Road Improvement Fee as provided in S10.1.1 or to undertake performance of the COLUMBIA ROAD IMPROVEMENTS as provided in S10.1.2.

S11.0 ON-SITE WATERMAIN.

S11.1 In order to provide sufficient watermain capacity for the SUBJECT PROPERTY and future adjacent properties, the OWNER AND DEVELOPER shall, at their sole cost, an eight inch (8”) watermain along the Columbia Street frontage of the SUBJECT PROPERTY (hereinafter referred to as the “**ON-SITE WATERMAIN**”). The ON-SITE WATERMAIN shall be constructed and installed in strict accordance with the approved Final Engineering Plans prepared by Civil & Environmental Consultants, Inc. dated October 12, 2021 last revised January 18, 2022. No occupancy permits will be issued for the SUBJECT PROPERTY

until the ON-SITE WATERMAIN has been constructed, inspected, and approved. The provisions in this Section S11.1 shall survive the expiration or termination of this Agreement.

S12.0 OFF-SITE WATERMAIN.

S12.1 In addition to the ON-SITE WATERMAIN improvements identified in S11.0 above required for the SUBJECT PROPERTY, OWNER AND DEVELOPER shall construct and install an eight inch (8”) watermain (hereinafter referred to as the “**OFF-SITE WATERMAIN**”) to extend from Parkside Avenue south approximately 259’ to the north property line of the SUBJECT PROPERTY, connecting to the ON-SITE WATERMAIN, and extending approximately 23’ south from the south property line of the SUBJECT PROPERTY, as depicted herein on **Exhibit D**. OWNER AND DEVELOPER shall comply with the provisions of Section 7-3-6-2 of the Naperville Municipal Code (Contract Participation Over Fifty Thousand Dollars), as amended, and with the approved Final Engineering Plans prepared by Civil & Environmental Consultants, Inc. dated October 12, 2021 last revised January 18, 2022.

S12.2 The OWNER AND DEVELOPER shall obtain a site permit to install the OFF-SITE WATERMAIN not later than twenty-four (24) months of the Effective Date of this Agreement unless a different timeframe is agreed to in writing by the City Engineer.

S12.3 The OFF-SITE WATERMAIN installation will occur concurrently with construction of the improvements on the SUBJECT PROPERTY. No occupancy permits will be issued for the SUBJECT PROPERTY until the OFF-SITE WATERMAIN has been constructed, inspected, and approved.

S12.4 The CITY shall reimburse the OWNER AND DEVELOPER one hundred percent (100%) of the actual costs of engineering, design, and construction costs of the OFF-SITE WATERMAIN in accordance with and subject to OWNER AND DEVELOPER compliance with the provisions of Section 7-3-6-2 of the Naperville Municipal Code then in effect. The reimbursement to OWNER AND DEVELOPER shall be based upon actual costs as approved by the CITY for construction of the OFF-SITE WATERMAIN improvements as generally described on the Engineer’s Preliminary Opinion of Probable Construction Costs prepared by Civil and Environmental Consultants, Inc. dated December 8, 2021, attached hereto and made part hereof as **Exhibit C**.

S12.5 The provisions of this Section 12, and each subpart hereof except for S12.2, shall survive the expiration or termination of this Agreement.

S.13 SANITARY SEWER.

S13.1 In order to provide sufficient sanitary sewer capacity for the SUBJECT PROPERTY, the OWNER AND DEVELOPER agrees to be responsible, at their sole cost, for the installation of an eight inch (8”) sanitary sewer extending from the existing manhole at 710 S. Columbia Street north approximately 221’ along the Columbia Street frontage of the SUBJECT PROPERTY (hereinafter referred to as the “SANITARY SEWER”). The SANITARY SEWER shall be constructed and installed in strict accordance with the approved Final Engineering Plans prepared by Civil & Environmental Consultants, Inc. dated October 12, 2021, last revised January 18, 2022. No occupancy permits will be issued for the SUBJECT PROPERTY until the SANITARY SEWER has been constructed, inspected, and approved.

S14.0 PAYMENT AND REIMBURSEMENT PROCEDURES FOR OFF-SITE WATERMAIN.

S14.1 OWNER AND DEVELOPER responsibilities shall be as set forth herein and in Section 7-3-6-2 of the Naperville Municipal Code, as amended.

S14.2 The CITY shall review the OFF-SITE WATERMAIN specifications as submitted by the OWNER AND DEVELOPER within thirty (30) days of receipt.

S14.3 The CITY shall notify OWNER AND DEVELOPER within thirty (30) days of the CITY’S review of the OFF-SITE WATERMAIN specifications with its recommended approval, denial, or modifications of said specifications.

S14.4 The CITY shall review the contract unit prices as submitted by the OWNER AND DEVELOPER for the OFF-SITE WATERMAIN within thirty (30) days of submittal by the OWNER AND DEVELOPER.

S14.5 The CITY shall notify the OWNER AND DEVELOPER within thirty (30) days of the CITY’S review of the contract unit prices for the OFF-SITE WATERMAIN as submitted by the OWNER AND DEVELOPER with its recommended approval or denial of the contract unit prices.

S14.6 The CITY shall pay amounts due and owing to the OWNER AND DEVELOPER for the OFF-SITE WATERMAIN as provided in Section 7-3-6-2 of the Naperville Municipal Code, as amended.

S15.0 ACCEPTANCE OF WATERMAIN AND SANITARY SEWER; ACCEPTANCE OF COLUMBIA ROAD IMPROVEMENTS IF PERFORMED BY OWNER AND DEVELOPER.

S15.1 The CITY hereby agrees to accept the ON-SITE WATERMAIN, the OFF-SITE WATERMAIN, and the SANITARY SEWER improvements: (i) after the work associated with each has been completed and approved (including but not limited passing all testing requirements) by the City Engineer and the Director of the Department of Utilities – Water/Wastewater; and (ii) upon issuance of a Bill of Sale to the CITY by the OWNER AND DEVELOPER for the ON-SITE WATERMAIN, the OFF-SITE WATERMAIN, and the SANITARY SEWER improvements in a form approved by the CITY. Upon acceptance of said improvements, the CITY shall be the owner thereof and shall thereafter be responsible for their maintenance, repair and replacement. In addition, if the OWNER AND DEVELOPER elects, pursuant to Section 10.1.2 above to perform the COLUMBIA ROAD IMPROVEMENTS, the CITY agrees to accept said COLUMBIA ROAD IMPROVEMENTS upon their completion by the OWNER AND DEVELOPER and approval by the CITY.

S16.0 COMPLIANCE WITH PREVAILING WAGE ACT.

S16.1 The installation of the OFF-SITE WATERMAIN described or referenced herein, constitute “public works” within the meaning of the Illinois Prevailing Wage Act, 820 ILCS 130/.01 et seq. (“the Act”) and the OWNER AND DEVELOPER shall require all contractors and subcontractors whom they hire to perform such work to comply with the Act. The Act requires contractors and subcontractors to pay laborers, workers and mechanics performing services on public works projects no less than the “prevailing rate of wages” (hourly cash wages plus fringe benefits) in the county where the work is performed. For information regarding current prevailing wage rates, as to determine if rates have been revised from time to time, contractors and subcontractors shall refer to the Illinois Department of Labor’s website at: <http://www.state.il.us/agency/idol/rates/rates HTM> (or such other section of the IDOL website where that information may be located or referenced).

S17.0 POINT OF ACCESS.

S17.1 The SUBJECT PROPERTY is located on a dead-end street. Subsequent to subdivision of the SUBJECT PROPERTY as proposed by OWNER AND DEVELOPER, the SUBJECT PROPERTY will be comprised of two (2) lots. Notwithstanding the provisions of

Section G15.1.2 hereof, the structures constructed on said lots shall be accessible for emergency vehicles by only one (1) point of access.

/SIGNATURES ON FOLLOWING PAGE/

IN WITNESS WHEREOF, the parties set their hands and seals as of the EFFECTIVE DATE set forth on page 1 hereof.

CITY OF NAPERVILLE

By: _____
Steve Chirico
Mayor

Attest
By: _____
Pam Gallahue, Ph.D.
City Clerk

State of Illinois)
)
County of DuPage)

The foregoing instrument was acknowledged before me by Steve Chirico, Mayor, and Pam Gallahue, Ph.D. City Clerk, this _____ day of _____, 2022.

Notary Public

-seal-

OWNER/ANTHONY PAVONE

By: APavone

[name] Anthony Pavone

[title] Owner

State of Illinois)

County of DuPage)

The foregoing instrument was acknowledged before me by Anthony Pavone,
_____, and _____, this 18th
day of February, 2022.



D. J. SHAH 2/18/2022
Notary Public

-seal-

OWNER/PRADIP SHAH

By: Pradip Shah [name]
[title] owner

State of Illinois)
County of DuPage)

The foregoing instrument was acknowledged before me by Pradip Shah,
, and _____, this 18th
day of February 2022.



D-JSLL 2/18/2022
Notary Public

-seal-

The West 116 feet of the North half of Lot 4 and the South half of Lot 4 (except the East 158 feet) in Block 4 in Arthur T. McIntosh and Company's Naperville Estates, being a Subdivision of part of Section 19, Township 38 North, Range 10, East of the Third Principal Meridian, according to the Plat thereof recorded May 20, 1927 as Document 236013, in DuPage County, Illinois.

Property Address: 7S345 Columbia St
Naperville, IL 60540-6746



BOSS OF BEARING: ILLINOIS STATE PLANE - EAST ZONE

PRELIMINARY/FINAL PLAT OF SUBDIVISION FOR ROCAS HILL SUBDIVISION NAPERVILLE, ILLINOIS

OF PART OF THE SOUTHEAST QUARTER OF SECTION 19, TOWNSHIP 38 NORTH, RANGE 10, EAST OF THE THIRD PRINCIPAL MERIDIAN, DUPAGE COUNTY, ILLINOIS.

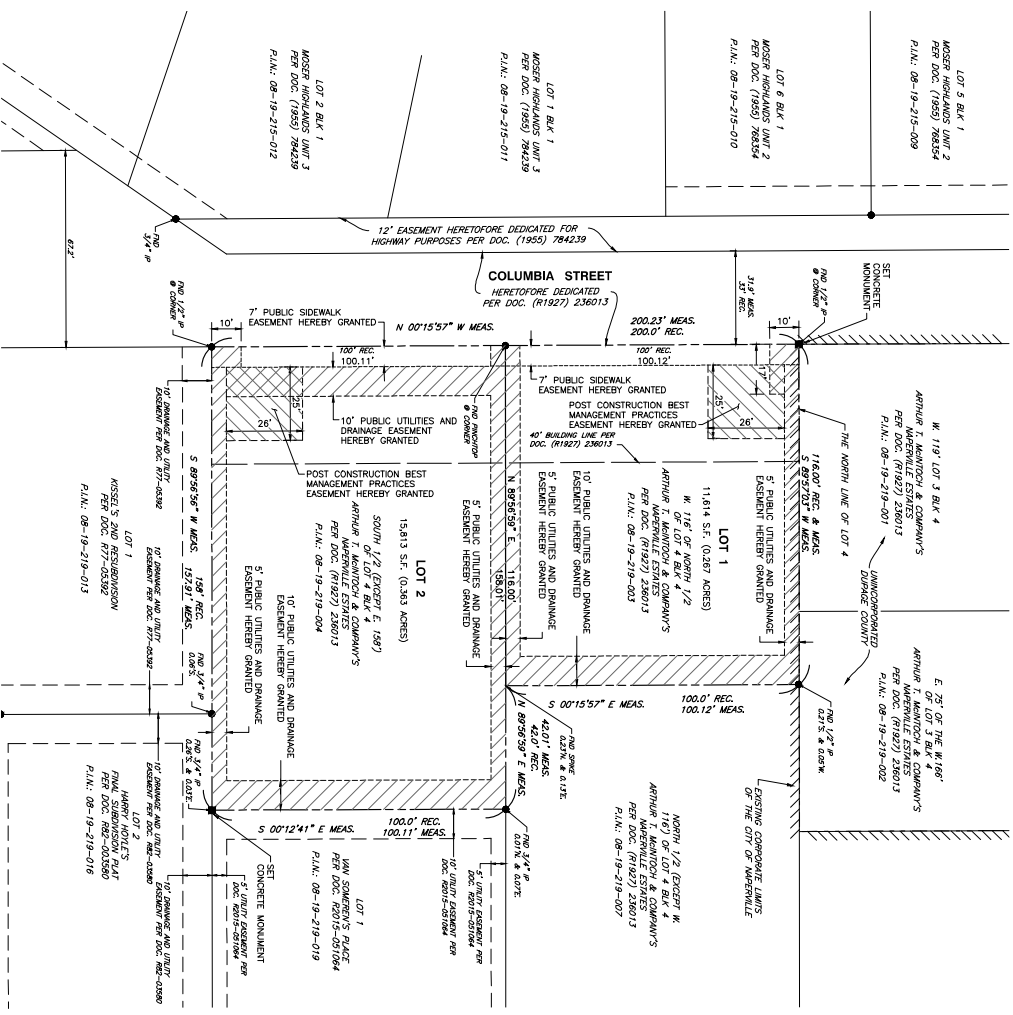
THIS PLAT HAS BEEN SUBMITTED FOR
RECORD AND RETURNED TO THE
NAME: NAPERVILLE CITY CLERK
400 SOUTH EAGLE STREET
NAPERVILLE, IL 60540

PLAT: 08-19-219-003
08-19-219-004
ADDRESS: 7345 COLUMBIA STREET
NAPERVILLE, IL 60540



REVISION RECORD

NO	DATE	DESCRIPTION
1	10/12/2021	ISSUED FOR RECORD
2	10/12/2021	REVISIONS
3	10/12/2021	REVISIONS
4	10/12/2021	REVISIONS
5	10/12/2021	REVISIONS
6	10/12/2021	REVISIONS
7	10/12/2021	REVISIONS
8	10/12/2021	REVISIONS
9	10/12/2021	REVISIONS
10	10/12/2021	REVISIONS



- REFERENCE
1. ILLINOIS CONCRETE CURB, FINISH (2011)
 2. ILLINOIS CONCRETE CURB, FINISH (2011)
 3. ILLINOIS CONCRETE CURB, FINISH (2011)

- SURVEYOR'S NOTES:
1. ALL MEASUREMENTS AND DISTANCES ARE SHOWN IN FEET AND DECIMAL PARTS THEREOF.
 2. IRON PINS AT ALL LOT CORNERS (UNLESS NOTED OTHERWISE).
 3. ■ DENOTES CONCRETE MONUMENT TO BE SET.
 4. 3/4" I.D. X 24" LONG IRON PIPE PLACED AT ALL LOT CORNERS (UNLESS OTHERWISE NOTED) TO CONFORM TO ILLINOIS COMPLETION STATUTES CHAPTER 785 ILCS 205/ REGARDING PLACEMENT OF MONUMENTS.
 5. ALL EASEMENTS SHOWN ON THE PLAN MAP ARE HEREBY GRANTED TO THE CITY OF NAPERVILLE, ILLINOIS, UNLESS OTHERWISE NOTED. REFER TO THE PUBLIC UTILITIES EASEMENT SCHEDULE ATTACHED TO THIS PLAT FOR SPECIFIC TERMS AND CONDITIONS.
 6. BASIS OF REVISIONS: THE REVISIONS SHOWN ON THIS PLAT ARE BASED UPON ILLINOIS STATE PLATE EAST VAS OBSERVATIONS.
 7. AN ESTIMATED LUMP SUM LAND-CASH PAYMENT FOR THE ACQUISITION OF THE ESTIMATED MUNICIPAL ACQUISITION OF THIS FINAL PLAT OF SUBDIVISION PER SECTION 17-1.1 OF THE ILLINOIS MUNICIPAL CODE SHALL BE MADE AT THE TIME OF ISSUANCE OF EACH BUILDING PERMIT UNDER THIS PLAT OF SUBDIVISION PER SECTION 17-1.1 OF THE ILLINOIS MUNICIPAL CODE.

- ABBREVIATIONS
- REC. RECORD DATA
 - DEED DEED DATA
 - R. RADUS DATA
 - A.O.M. AGRICULTURAL MAPPING
 - PL. PROPERTY LINE
 - P.C.B.M.P.E. POST CONSTRUCTION BEST MANAGEMENT PRACTICES EASEMENT
 - LP. CONCRETE MONUMENT TO BE SET

- AREAS SUMMARY
- | LOT | AREA (ACRES) |
|-------|--------------|
| LOT 1 | 0.269 |
| LOT 2 | 0.363 |
| LOT 3 | 0.269 |
| LOT 4 | 0.269 |
| LOT 5 | 0.269 |
| LOT 6 | 0.269 |

- LEGEND
- PROPERTY LINE
 - ADJACENT PROPERTY LINE
 - BUILDING SETBACK LINE
 - RIGHT-OF-WAY CENTERLINE
 - PROPOSED LOT LINE
 - EXISTING NAPERVILLE CORPORATE LIMITS
 - PROPOSED PUBLIC UTILITIES & DRAINAGE EASEMENT HEREBY GRANTED
 - PROPOSED PUBLIC SERVICE EASEMENT HEREBY GRANTED
 - PROPOSED STORMWATER MANAGEMENT EASEMENT HEREBY GRANTED
 - EXISTING EASEMENT
 - LIMITS OF PUBLIC UTILITY EASEMENT HEREBY GRANTED
 - POST CONSTRUCTION BEST MANAGEMENT PRACTICES EASEMENT HEREBY GRANTED

- SCALE IN FEET
- 0 20 40
- CITY PROJECT NUMBER 21-10000119

- DATE: 10/12/2021
- DWG SCALE: 1"=20'
- PROJECT NO: 312-6764
- APPROVED BY: [Signature]

PRELIMINARY/FINAL PLAT OF SUBDIVISION

DATE: 10/12/2021

DRAWN BY: SRH

CHECKED BY: JCC

PROJECT NO: 312-6764

APPROVED BY: [Signature]

NIMISHA & ANTHONY PAVONE
SANDHYA & PRADIP SHAH
ROCAS HILL SUBDIVISION
7345 COLUMBIA STREET
NAPERVILLE, ILLINOIS 60540



NO DATE DESCRIPTION

1 10/12/2021 ISSUED FOR RECORD

2 10/12/2021 REVISIONS

3 10/12/2021 REVISIONS

4 10/12/2021 REVISIONS

5 10/12/2021 REVISIONS

6 10/12/2021 REVISIONS

7 10/12/2021 REVISIONS

8 10/12/2021 REVISIONS

9 10/12/2021 REVISIONS

10 10/12/2021 REVISIONS

City of Naperville STANDARD DETAIL

STORM MANHOLE - TYPE A

290.01

NOTE:
A MINIMUM OF 4 PRECAST 7-DIAMETER HOLES SHALL BE PROVIDED WITHIN 1' OF THE LOWEST PIPE. THE HOLES SHALL BE DISTRIBUTED UNDERNEATH FILTER COMB MATERIAL. SHALL BE SPACED OVER EACH HOLES TO PREVENT SURFACE DRAINAGE FROM COLLAPSE.

City of Naperville STANDARD DETAIL

CATCH BASIN - TYPE A

290.02

NOTE:
A MINIMUM OF 4 PRECAST 7-DIAMETER HOLES SHALL BE PROVIDED WITHIN 1' OF THE LOWEST PIPE. THE HOLES SHALL BE DISTRIBUTED UNDERNEATH FILTER COMB MATERIAL. SHALL BE SPACED OVER EACH HOLES TO PREVENT SURFACE DRAINAGE FROM COLLAPSE.

City of Naperville STANDARD DETAIL

INLET - TYPE A

290.05

NOTE:
A MINIMUM OF 4 PRECAST 7-DIAMETER HOLES SHALL BE PROVIDED WITHIN 1' OF THE LOWEST PIPE. THE HOLES SHALL BE DISTRIBUTED UNDERNEATH FILTER COMB MATERIAL. SHALL BE SPACED OVER EACH HOLES TO PREVENT SURFACE DRAINAGE FROM COLLAPSE.

City of Naperville STANDARD DETAIL

CAST IRON STEPS

290.06

City of Naperville STANDARD DETAIL

FLAT SLAB TOP PRECAST REINFORCED CONCRETE

290.03

NOTE:
A MINIMUM OF 4 PRECAST 7-DIAMETER HOLES SHALL BE PROVIDED WITHIN 1' OF THE LOWEST PIPE. THE HOLES SHALL BE DISTRIBUTED UNDERNEATH FILTER COMB MATERIAL. SHALL BE SPACED OVER EACH HOLES TO PREVENT SURFACE DRAINAGE FROM COLLAPSE.

City of Naperville STANDARD DETAIL

BEHIND GRATE

290.14

NOTE:
1. BEHIND GRATE SHALL BE NEARBY MANHOLE, EXCEPT FOR MANHOLE ON EQUAL APPROVED BY THE CITY ENGINEER.
2. ALL CASTINGS SHALL BE SHOP PAINTED WITH AN ASPHALT-BASE PAINT.
3. ALL CASTINGS SHALL INCLUDE TYPICAL DRAWING FOR VIEW.

City of Naperville STANDARD DETAIL

STONE SEWER TRENCH SECTION IN PAVED AREAS

290.20

NOTE:
1. TRENCH MATERIAL SHALL BE CONSTRUCTED IN ACCORDANCE WITH SECTION 805.07 OF THE 2017 STANDARD SPECIFICATIONS FOR ROADWAY BIDDING AND CONSTRUCTION.
2. THE DETAIL SHALL BE USED WHEREVER THE TRENCH IS MADE IN THE TRENCHES TO OPEN MANHOLES TO THE ROADWAY SURFACE.
3. ALL CASTINGS SHALL INCLUDE TYPICAL DRAWING FOR VIEW.

City of Naperville STANDARD DETAIL

STONE SEWER TRENCH SECTION IN NON-PAVED AREAS

290.21

NOTE:
1. TRENCH MATERIAL SHALL BE CONSTRUCTED IN ACCORDANCE WITH SECTION 805.07 OF THE 2017 STANDARD SPECIFICATIONS FOR ROADWAY BIDDING AND CONSTRUCTION.
2. THE DETAIL SHALL BE USED WHEREVER THE TRENCH IS MADE IN THE TRENCHES TO OPEN MANHOLES TO THE ROADWAY SURFACE.
3. ALL CASTINGS SHALL INCLUDE TYPICAL DRAWING FOR VIEW.

City of Naperville STANDARD DETAIL

FRAME & LID ON GRAVE

290.10

NOTE:
1. FRAME AND LID SHALL BE 4\"/>

City of Naperville STANDARD DETAIL

ALTERNATE BEHIND GRATE

290.11

NOTE:
1. BEHIND GRATE SHALL BE NEARBY MANHOLE, EXCEPT FOR MANHOLE ON EQUAL APPROVED BY THE CITY ENGINEER.
2. ALL CASTINGS SHALL BE SHOP PAINTED WITH AN ASPHALT-BASE PAINT.
3. ALL CASTINGS SHALL INCLUDE TYPICAL DRAWING FOR VIEW.

City of Naperville STANDARD DETAIL

STONE SEWER TRENCH SECTION IN PAVED AREAS

290.20

NOTE:
1. TRENCH MATERIAL SHALL BE CONSTRUCTED IN ACCORDANCE WITH SECTION 805.07 OF THE 2017 STANDARD SPECIFICATIONS FOR ROADWAY BIDDING AND CONSTRUCTION.
2. THE DETAIL SHALL BE USED WHEREVER THE TRENCH IS MADE IN THE TRENCHES TO OPEN MANHOLES TO THE ROADWAY SURFACE.
3. ALL CASTINGS SHALL INCLUDE TYPICAL DRAWING FOR VIEW.

City of Naperville STANDARD DETAIL

STONE SEWER TRENCH SECTION IN NON-PAVED AREAS

290.21

NOTE:
1. TRENCH MATERIAL SHALL BE CONSTRUCTED IN ACCORDANCE WITH SECTION 805.07 OF THE 2017 STANDARD SPECIFICATIONS FOR ROADWAY BIDDING AND CONSTRUCTION.
2. THE DETAIL SHALL BE USED WHEREVER THE TRENCH IS MADE IN THE TRENCHES TO OPEN MANHOLES TO THE ROADWAY SURFACE.
3. ALL CASTINGS SHALL INCLUDE TYPICAL DRAWING FOR VIEW.

City of Naperville STANDARD DETAIL

FRAME & LID ON GRAVE

290.10

NOTE:
1. FRAME AND LID SHALL BE 4\"/>

REVISION RECORD

NO.	DATE	DESCRIPTION
1	11/16/2021	ISSUED FOR BIDDING
2	11/16/2021	ISSUED FOR BIDDING
3	11/16/2021	ISSUED FOR BIDDING

REVISION RECORD

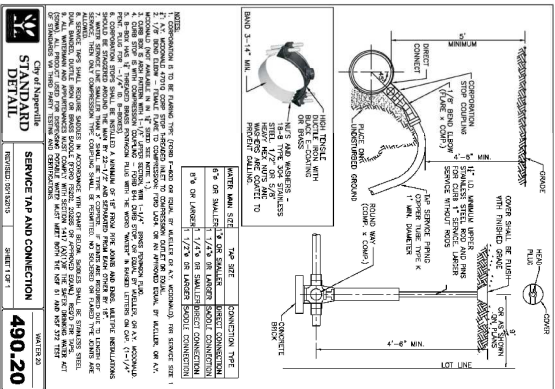
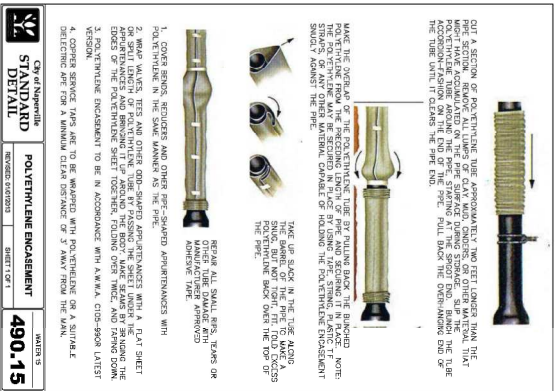
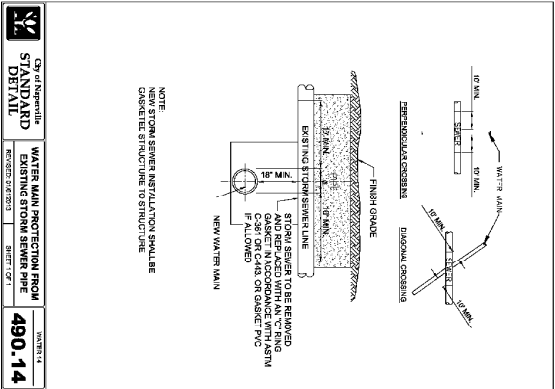
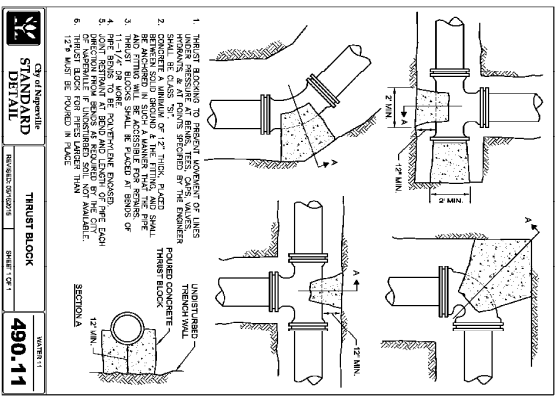
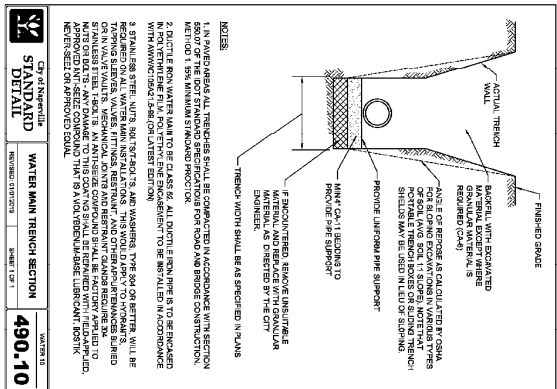
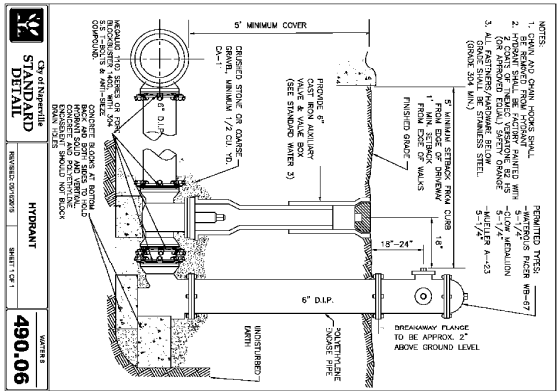
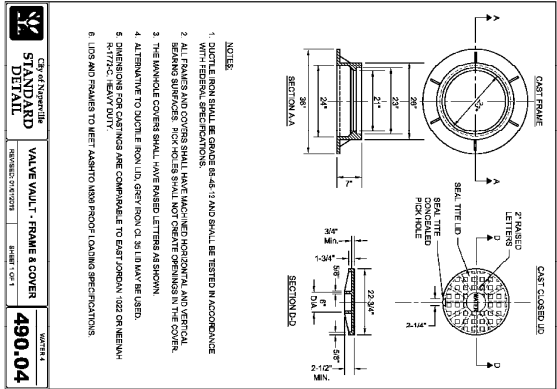
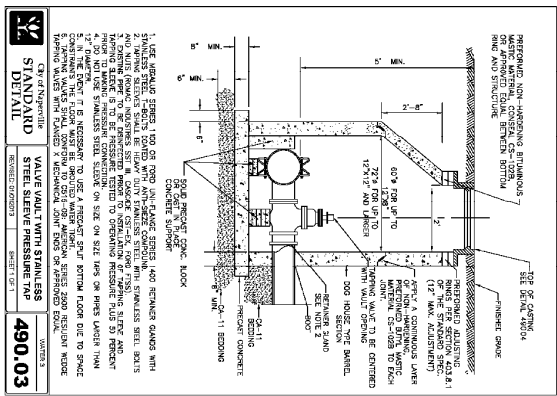
NO.	DATE	DESCRIPTION
1	11/16/2021	ISSUED FOR BIDDING
2	11/16/2021	ISSUED FOR BIDDING
3	11/16/2021	ISSUED FOR BIDDING

DETAILS - 1

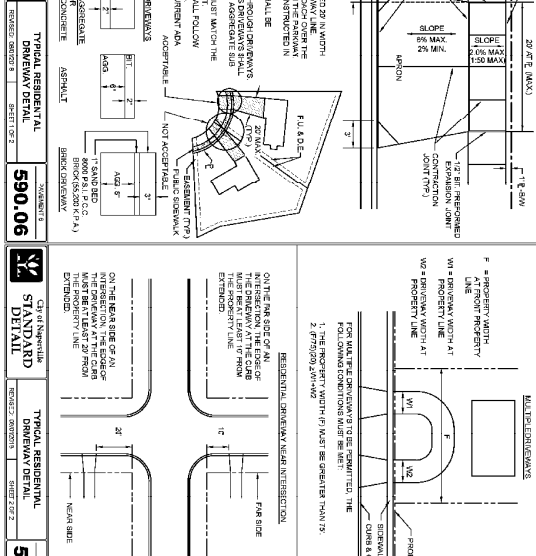
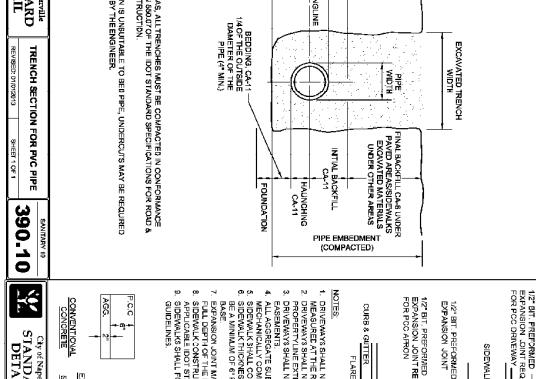
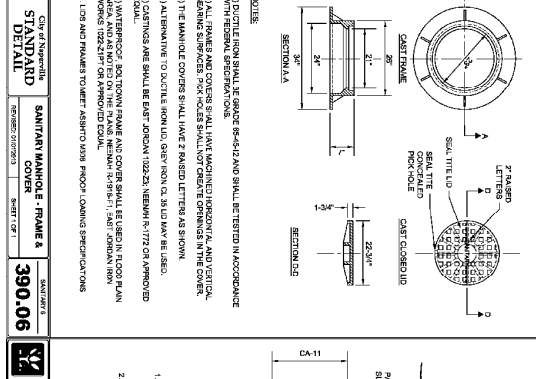
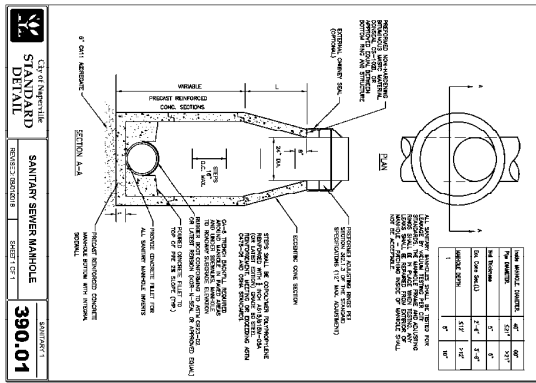
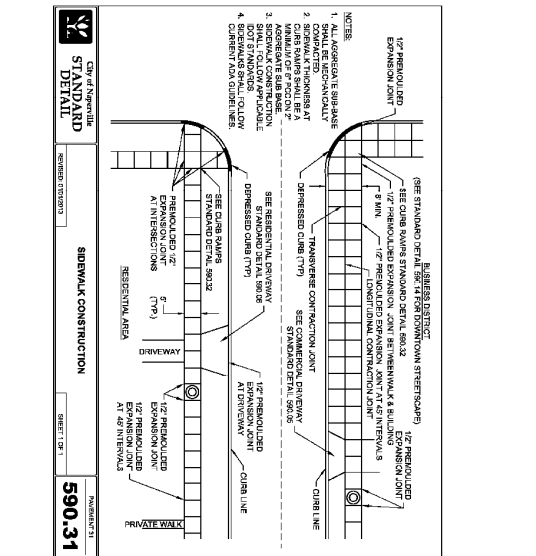
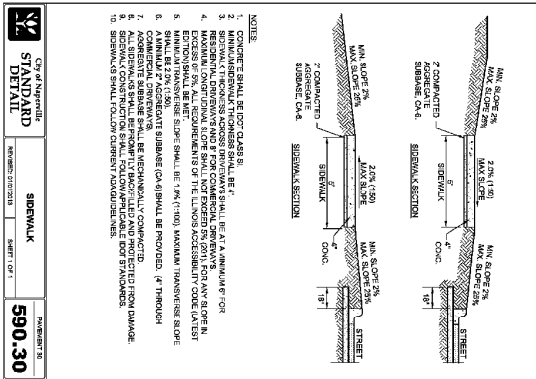
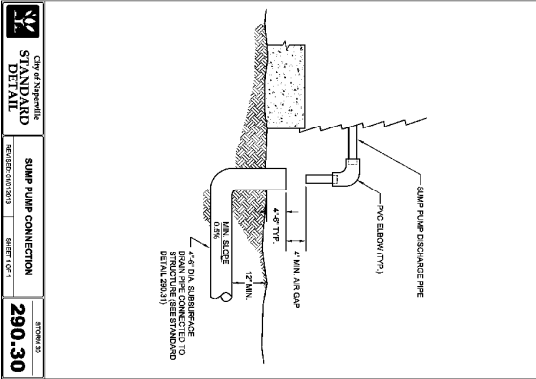
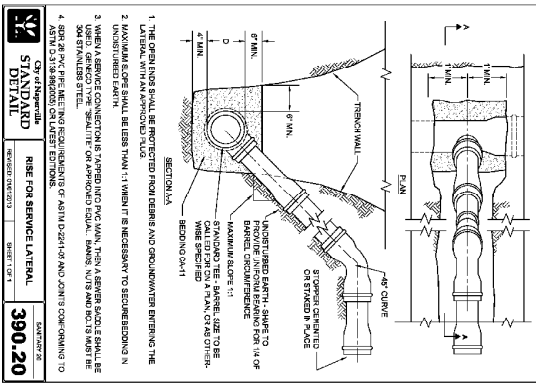
DATE: 10/12/2021 DRAWN BY: SRH
 DWG SCALE: NONE CHECKED BY: JGC
 PROJECT NO: 312-676-AW00
 APPROVED BY: JGC

NIMISHA & ANTHONY PAVONE SANDHYA & PRADIP SHAH ROCAS HILL SUBDIVISION 7S345 COLUMBIA STREET NAPERVILLE, ILLINOIS 60540

CEC Civil & Environmental Consultants, Inc.
 232 East Diehl Road, Suite 200 - Naperville, IL 60563
 630-963-6026 877-963-6026
 www.cecinc.com



REVISION RECORD		
NO.	DATE	DESCRIPTION
1	10/12/2021	ISSUED FOR PERMIT
2	10/12/2021	ISSUED FOR PERMIT
3	10/12/2021	ISSUED FOR PERMIT
4	10/12/2021	ISSUED FOR PERMIT
5	10/12/2021	ISSUED FOR PERMIT
6	10/12/2021	ISSUED FOR PERMIT
7	10/12/2021	ISSUED FOR PERMIT
8	10/12/2021	ISSUED FOR PERMIT
9	10/12/2021	ISSUED FOR PERMIT
10	10/12/2021	ISSUED FOR PERMIT



NO.	DATE	DESCRIPTION
1	11/16/2021	ISSUED FOR PERMITS
2	11/16/2021	REVISED PER COMMENTS
3	11/16/2021	REVISED PER COMMENTS

NO.	DATE	DESCRIPTION
1	11/16/2021	ISSUED FOR PERMITS
2	11/16/2021	REVISED PER COMMENTS
3	11/16/2021	REVISED PER COMMENTS

DATE: 10/12/2021
 DWG SCALE: NONE
 PROJECT NO: 312-476-0000
 SHEET: 11 OF 12

DETAILS - 3

APPROVED BY: [Signature]
 CHECKED BY: [Signature]
 DRAWN BY: [Signature]
 SRH
 JGC
 JGC

APPROVED BY: [Signature]
 CHECKED BY: [Signature]
 DRAWN BY: [Signature]
 SRH
 JGC
 JGC

NIMISHA & ANTHONY PAVONE
SANDHYA & PRADIP SHAH
ROCAS HILL SUBDIVISION
7345 COLUMBIA STREET EXHIBIT
NAPERVILLE, ILLINOIS 60540

CEC
City & Environmental Consultants, Inc.
 230 East Diehl Road, Suite 200 - Naperville, IL 60563
 630-963-6026 877-963-6026
 www.cecinc.com

