

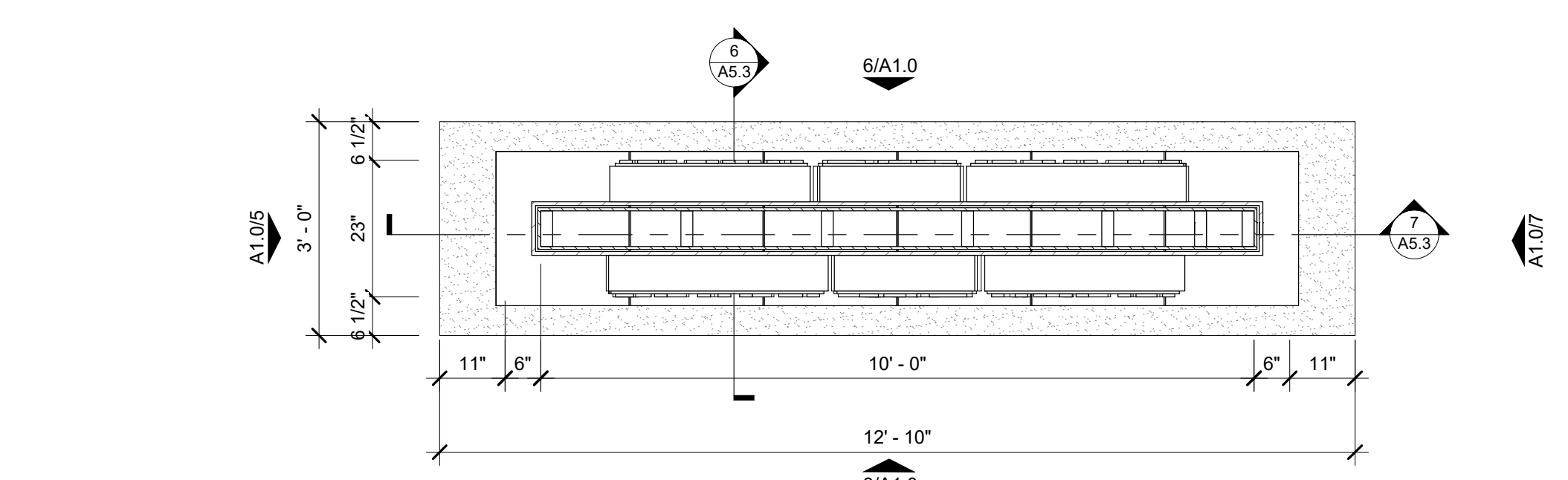
**PREFABRICATED SITE ELEMENT**  
THE SITE COMPONENT ON THIS SHEET HAS BEEN OFF-SITE FABRICATED IN A CONTROLLED ENVIRONMENT, IN ACCORDANCE WITH SIZE INFORMATION SPECIFICATIONS AS DRAWN ON THIS PAGE. THIS ITEM HAS NOT BEEN INSPECTED IN ACCORDANCE WITH A FEDERAL, STATE, OR LOCAL PREFABRICATION CERTIFICATION PROGRAM.

**FINISH MATERIALS SCHEDULE NOTES:**

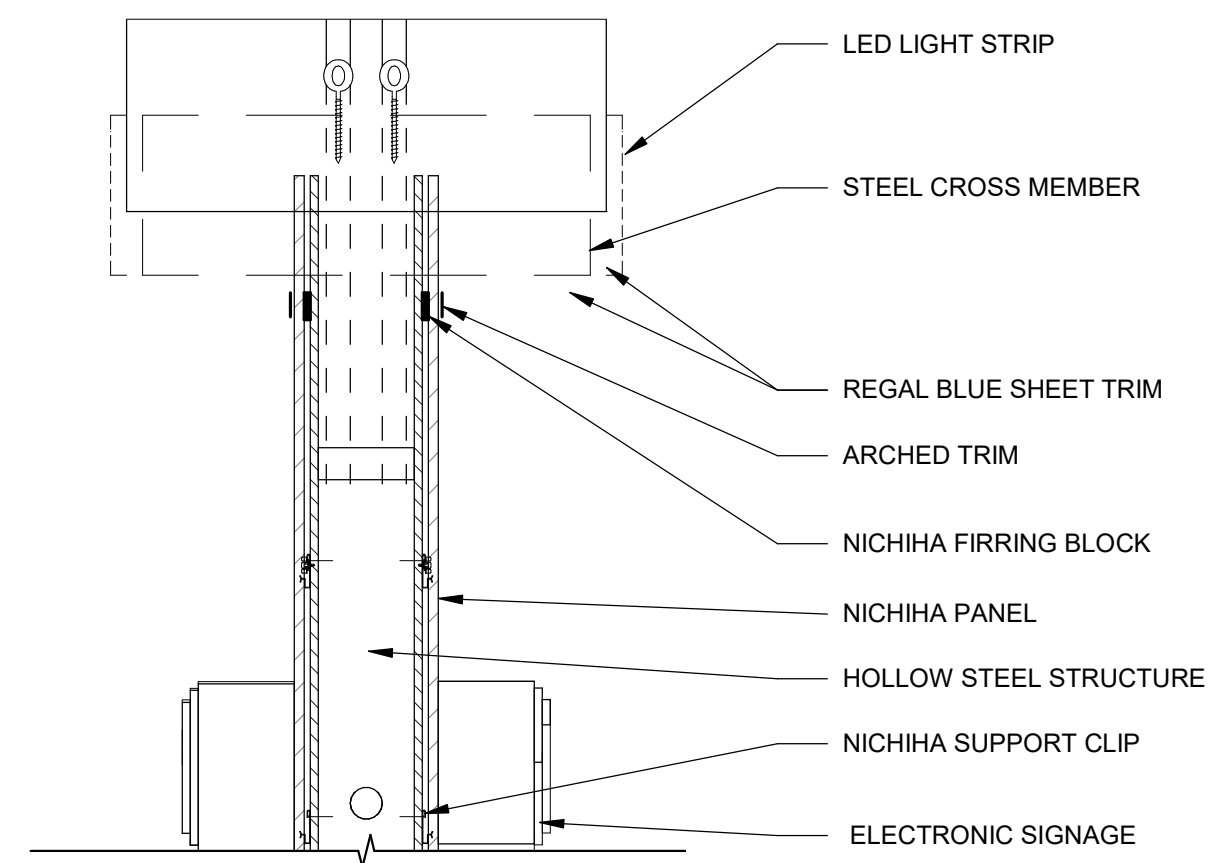
- PROVIDED BY 7 BREW AND INSTALLED BY GENERAL CONTRACTOR.
- SCOPE DIVISION FOR THE INSTALLATION OF THIS ELEMENT ARE TO BE COORDINATED BETWEEN GENERAL CONTRACTOR AND PREFABRICATOR.
- PROVIDE COMPLETE NICHHA SYSTEM AND ACCESSORIES INCLUDING MATCHING MANUF. FABRICATED CORNERS, FLASHINGS AND TRIMS. INSTALL PER MANUF. INSTALLATION INSTRUCTIONS.
- ELECTRIC SIGNAGE ELEMENTS MAY OR MAY NOT BE PROVIDED BY PREFABRICATOR. COORDINATE SIGN INSTALLATION AND PERMIT RESPONSIBILITIES OF SCOPE WITH OWNER/SIGN FABRICATOR/PREFABRICATOR.

FINISH MATERIALS SCHEDULE				
TYPE	SYM.	ITEM	DESCRIPTION	REMARKS
BRK-1		FIBER CEMENT PANELS	BRAND: NICHHA FINISH: MODERN BRICK COLOR: MIDNIGHT	EXTERIOR WALLS
MP-1		METAL PANEL	BRAND: BERRIDGE COLOR: ROYAL BLUE FINISH: LOW SHEEN SMOOTH	METAL PANEL

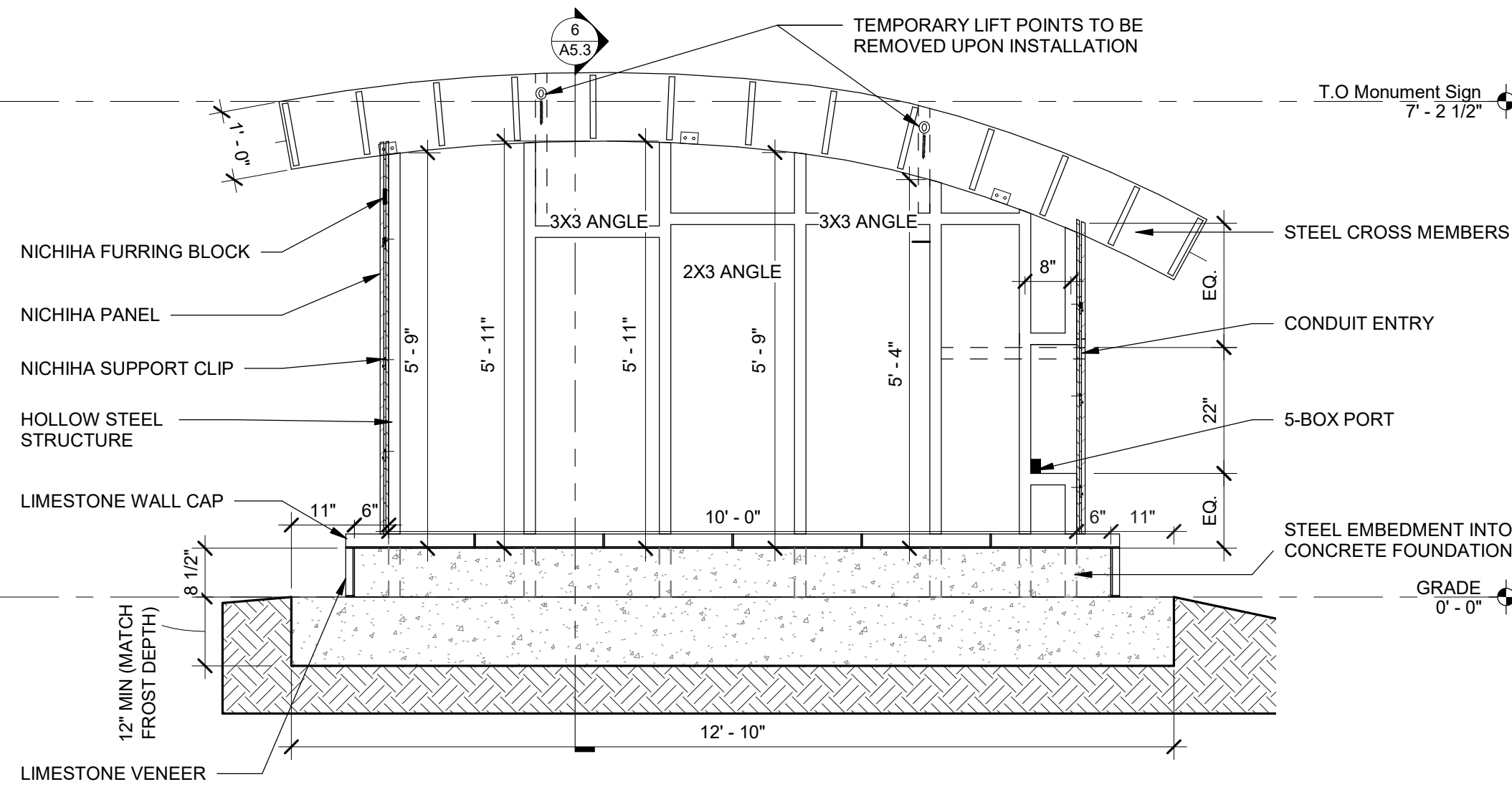
EXTERIOR ELEVATION MATERIALS LEGEND	
NOTE NO.	NOTE TEXT
1	LED STRIP LIGHTING
2	METAL PANEL - (MP-1)
3	FIBER CEMENT PANELS (BRK-1)
4	ILLUMINATED SIGNAGE BY SIGN CONTRACTOR
5	CONCRETE FOUNDATION CLAD IN LIMESTONE VENEER & WALL CAP



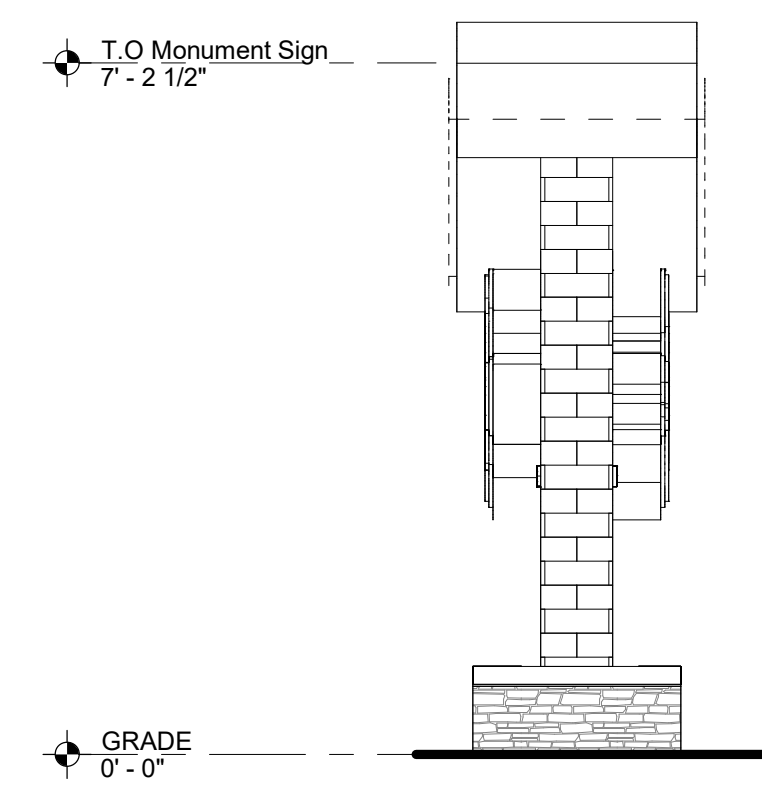
**8 FLOORPLAN**  
1/2" = 1'-0"



**5 ENLARGED CONNECTION DTL**  
1" = 1'-0"



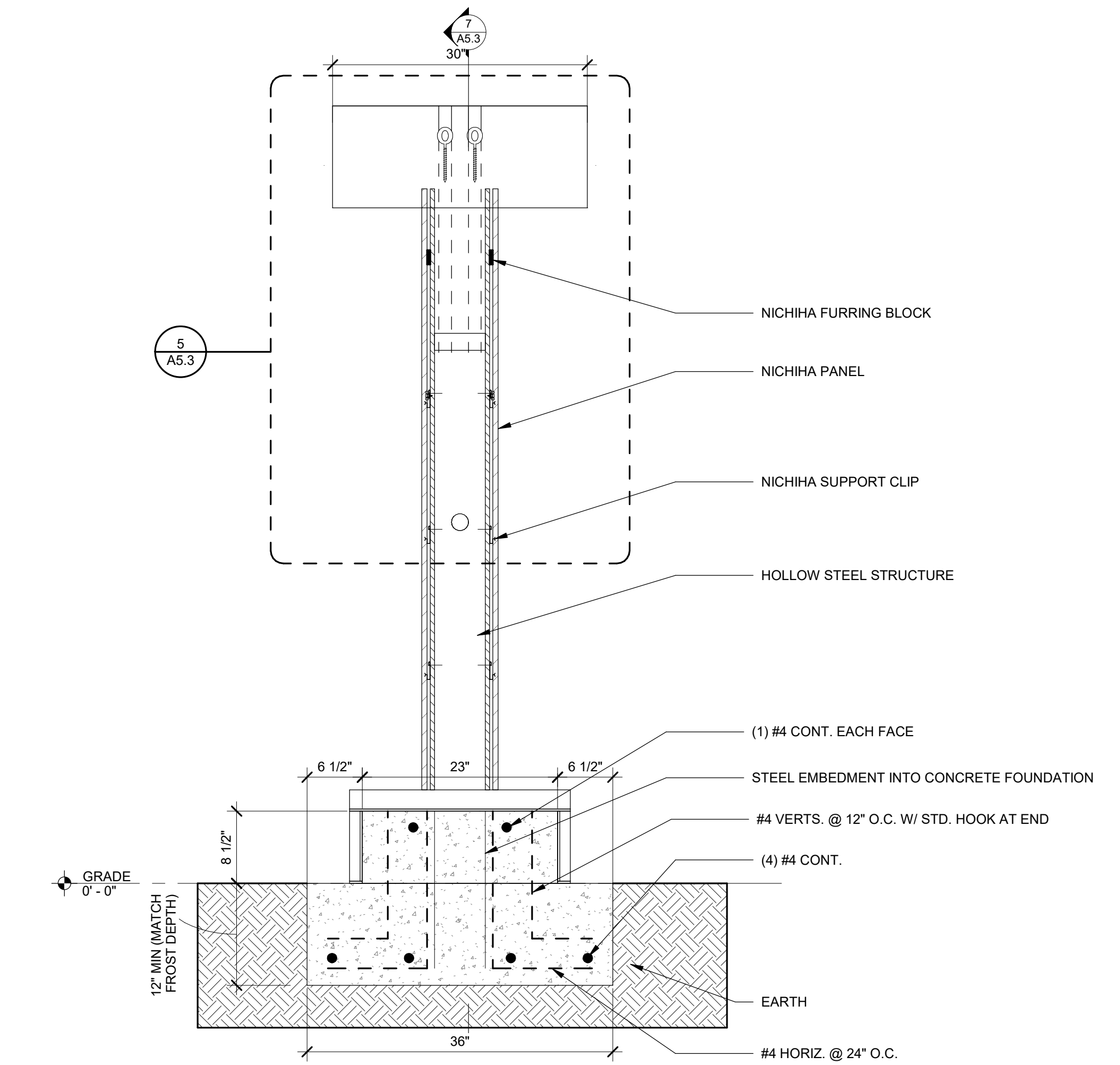
**7 LOGITUDINAL SECTION**  
1/2" = 1'-0"



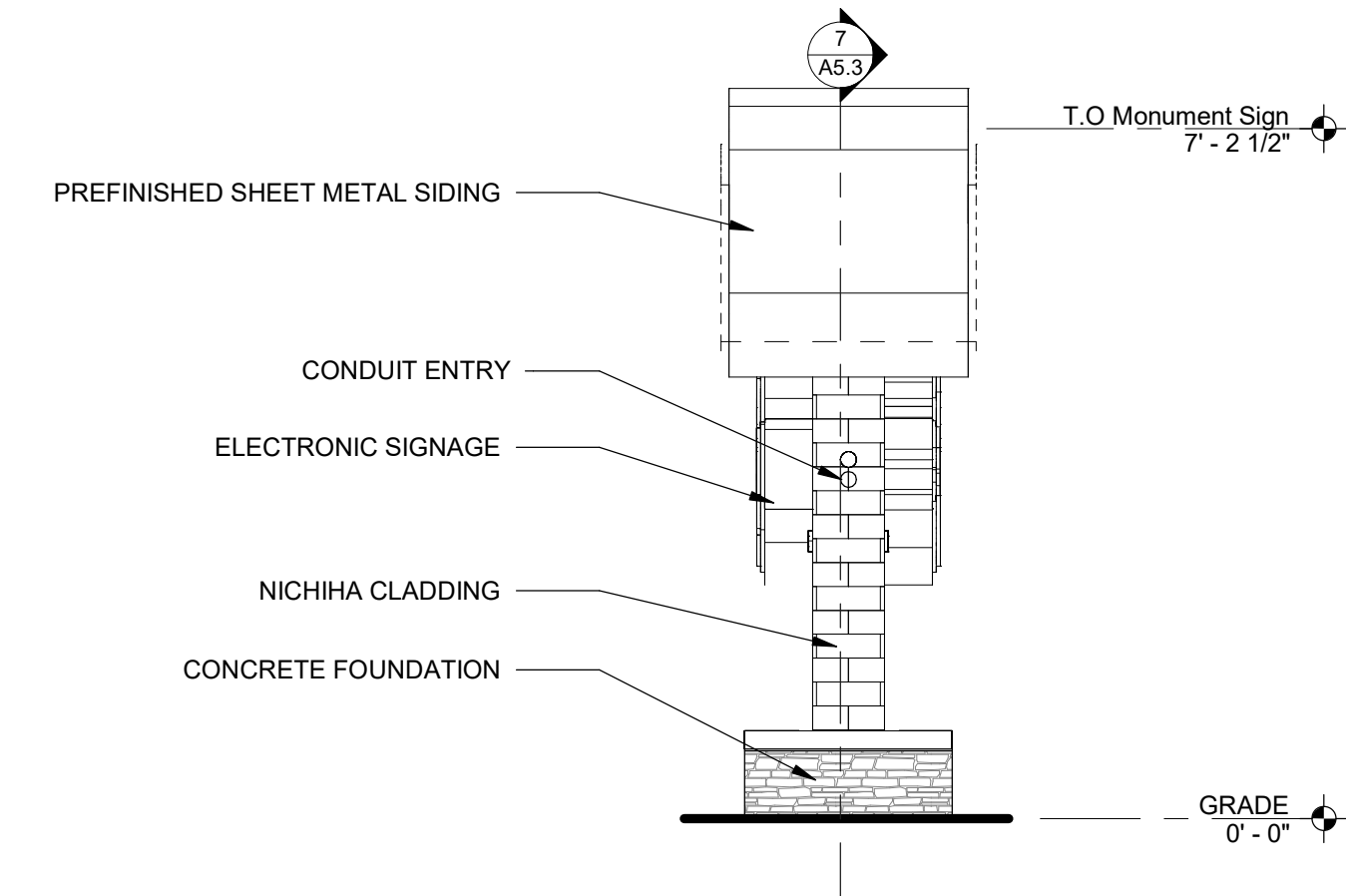
**4 LEFT ELEVATION**  
1/2" = 1'-0"



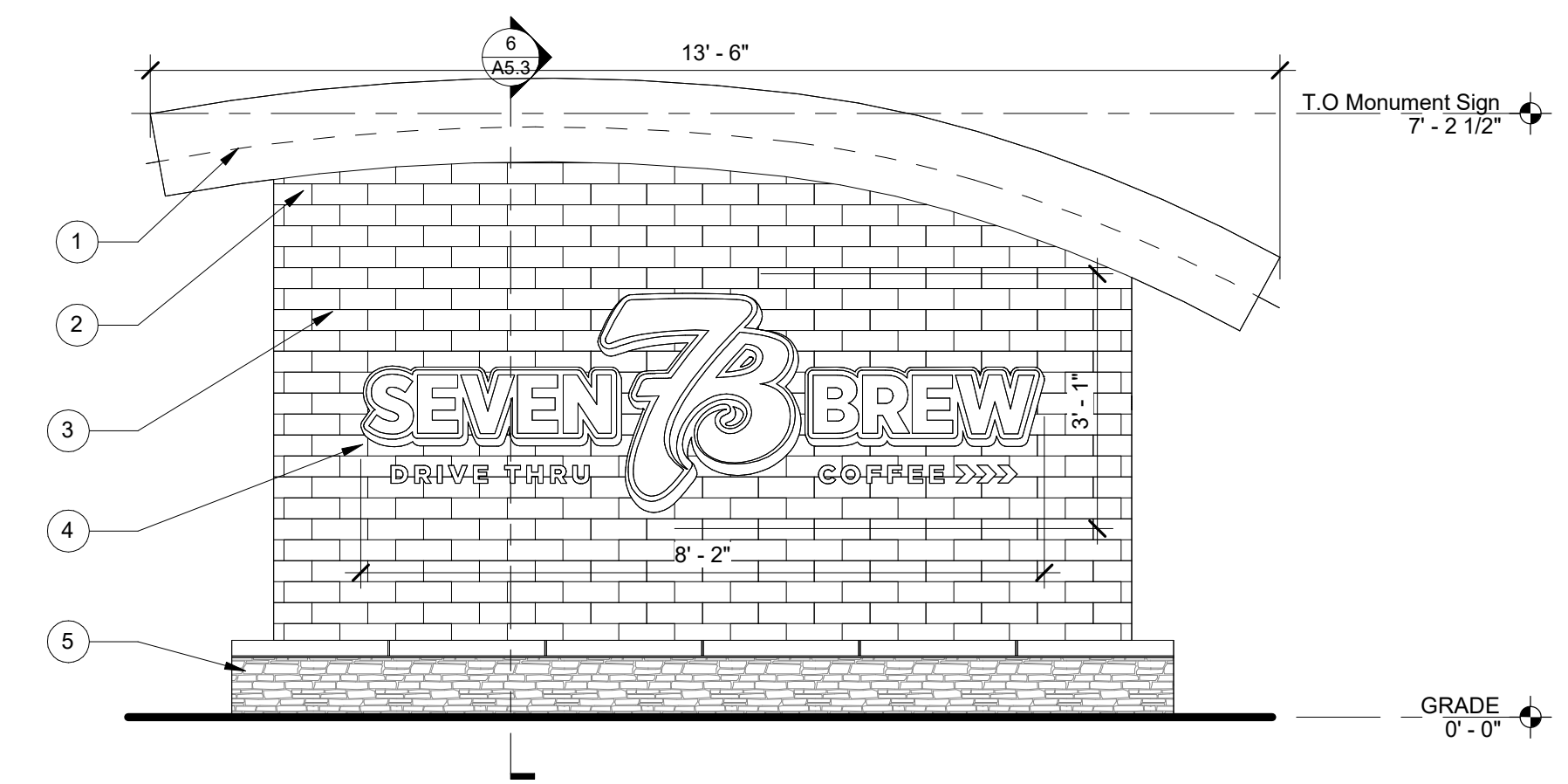
**2 BACK ELEVATION**  
1/2" = 1'-0"



**6 TRANSVERSE SECTION**  
1" = 1'-0"



**3 RIGHT ELEVATION**  
1/2" = 1'-0"



**1 FRONT ELEVATION**  
1/2" = 1'-0"

NATMOD MONUMENT SIGN W/ LIMESTONE

NATIONAL MODULAR MFG., INC.  
8905 INDUSTRIAL DRIVE, HAVEN, KANSAS 67543

REVISIONS		
No.	Description	Date

sheet issue date: 03/05/2024  
project no.: 22.34.01  
sheet contents: PLANS, SECTIONS, DETAILS  
sheet no.:

A5.3