

NAPERVILLE, IL CODE OF ORDINANCES
SECTION 6-14.4

IESNA Parking Lot Levels Or Activity	IESNA Maintained Horizontal Illuminance Standards (Foot-Candles)					
	General Parking And Pedestrian Area			Vehicle Use Area (Only)		
	Ave.	Min.	Uniformity Ratio	Ave.	Min.	Uniformity Ratio
Regional shopping centers (total space above 300,000 square feet)	3.6	0.9	4:1	2.0	0.67	3:1

SHEET NOTE

THE EXTERIOR LIGHTING DEPICTED ON THE PHOTOMETRIC PLAN WILL COMPLY WITH THE REQUIREMENTS OF CHAPTER 6-14 OF THE CODE OF ORDINANCES OF THE CITY OF NAPERVILLE UPON SUBMISSION OF THE CONSTRUCTION DOCUMENTS.

ARCHITECT OF RECORD: _____

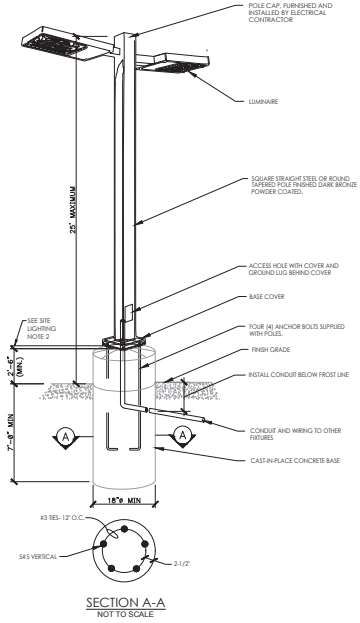
PROPERTY OWNER/AGENT: _____

LIGHTING FIXTURE SCHEDULE

MARK	DESCRIPTION	MANUFACTURER	MODEL#	QTY	WATTS	REMARKS
E1	EXISTING FIXTURE - STREET LIGHT	UNKNOWN	UNKNOWN	1	UNKNOWN	CALCS ASSUME 4 40' POLE, TYPICALLY 2 HEADS PER POLE
E2	EXISTING FIXTURE - STREET LIGHT	UNKNOWN	UNKNOWN	1	UNKNOWN	CALCS ASSUME 4 40' POLE, 2 OR 3 HEADS PER POLE
E3	LED AREA LUMINAIRE	LITONIA	RS34 LED P1 30K RA	1	2798	40' POLE, 1 HEAD, USED FOR EXISTING STREET LIGHTING
E4	EXISTING SCENE	LITONIA	UNKNOWN	1	200W	40' POLE, 1 HEAD, USED FOR EXISTING STREET LIGHTING
L3	LED AREA LUMINAIRE W/ EXTERIOR GLARE SHIELD	LITONIA	RS34 LED P1 30K RA EGS	1	2798	20' POLE, 1 HEAD, USE GLARE SHIELD ON RESIDENTIAL SIDE
L3	LED AREA LUMINAIRE	LITONIA	RS34 LED P1 30K RA	1	4370	20' POLE, 1 HEAD PER POLE
L4	LED AREA LUMINAIRE	LITONIA	RS34 LED P1 30K RA	1	5469	20' POLE, 2 HEADS PER POLE
W3	LED WEDGE SCENE	LITONIA	WDS3 LED P1 7000 RA 40K	1	199	

Calculation Summary

Label	Avg	Max	Min	Avg/Min	U/Ratio
Spot of Building	2.54	14.0	0.0	N/A	N/A
Ent Property Low Residential	0.09	0.5	0.0	N/A	N/A
Exterior Proposed Line ROW	2.38	13.1	0.0	N/A	N/A
New Parking Large	6.48	27.2	0.4	16.20	N/A
New Parking Small	4.20	13.1	0.0	6.54	N/A
On Property	3.30	28.5	0.0	N/A	N/A
On Property, 1	8.38	14.6	2.8	2.28	N/A



INTERPLANE
ARCHITECTURE
ENGINEERING
INTERIOR DESIGN
PROJECT MANAGEMENT

DESIGN FIRM REGISTRATION
#184003341-0004

ONE SOUTH 280 SUMMIT AVE
SUITE D
OAKBROOK TERRACE, IL 60181
PH 630.922.2336
FX 630.922.2339

THIS DOCUMENT IS NOT FOR REGULATORY APPROVAL, PERMITTING, OR CONSTRUCTION.

NO.	DATE	REVISIONS
2	11.16.20	REVISION 2
1	10.16.20	REVISION 1

SHOREWOOD DEVELOPMENT GROUP
MARKET MEADOWS
1265 - 1309 S NAPER BLVD
NAPERVILLE, IL 60540

PROJECT NO: 2020.0490
DATE: 11.16.20

PM-1
SITE PHOTOMETRICS

CHECKED: BP DRAWN: MS

SEAL:

THIS DOCUMENT IS NOT
FOR REGULATORY
APPROVAL, PERMITTING,
OR CONSTRUCTION.

2 11.16.20 REVISION 2
1 10.16.20 REVISION 1
NO DATE REVISIONS

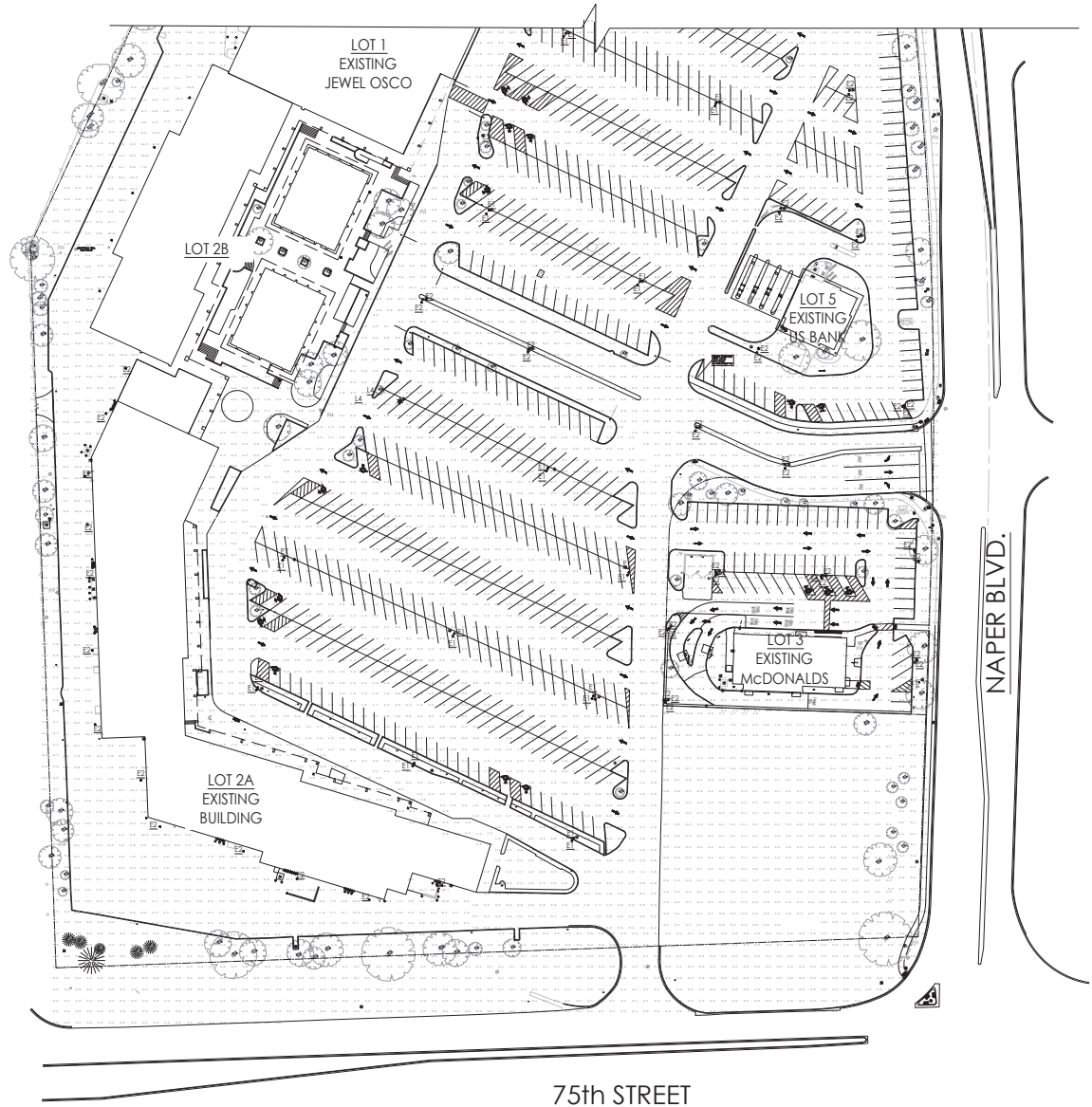
SHOREWOOD
DEVELOPMENT GROUP
MARKET MEADOWS
1265 - 1309 S NAPER BLVD
NAPERVILLE, IL 60540

PROJECT NO: 2020.0490
DATE: 11.16.20

EX-PM
EXISTING SITE
PHOTOMETRICS

CHECKED: BP DRAWN: MS

LIGHTING FIXTURE SCHEDULE							
MARK	DESCRIPTION	MANUFACTURER	MODEL#	QTY.	LAMPS	TOTAL WATTS	REMARKS
E1	EXISTING FIXTURE - SHOBOX	UNKNOWN (COOPER STREETWORKS TRIBUTE USED FOR CALCUS)	UNKNOWN	1	METAL HALIDE ASSUMED	UNKNOWN 400W ASSUMED	CALCS ASSUME A 40' POLE, TYPICALLY 2 HEADS PER POLE
E2	EXISTING FIXTURE - SHOBOX	UNKNOWN (COOPER STREETWORKS TRIBUTE USED FOR CALCUS)	UNKNOWN	1	METAL HALIDE ASSUMED	UNKNOWN 300W ASSUMED	CALCS ASSUME A 20' POLE, 2 OR 3 HEADS PER POLE
L	LED AREA LUMINAIRE	LITHONIA	RS34 LED P1 30W R4	1	LED	270W	40' POLE, 1 HEAD, USED FOR EXISTING STREET LIGHTING
L2	LED AREA LUMINAIRE W/ EXTERIOR GLASS SHIELD	LITHONIA	RS34 LED P1 30W R4 EGS	1	LED	270W	20' POLE, 1 HEAD, USE SQUARE SHIELD ON RESIDENTIAL SIDE
L3	LED AREA LUMINAIRE	LITHONIA	RS34 LED P4 30W R4	1	LED	431W	20' POLE, 1 HEAD PER POLE
L4	LED AREA LUMINAIRE	LITHONIA	RS34 LED P8 30W R4	1	LED	846W	20' POLE, 2 HEADS PER POLE
W3	LED WEDGE SCONCE	LITHONIA	WED3 LED P1 180W R4 48K	1	LED	15W	



1 SITE PLAN - EXISTING PHOTOMETRIC
1" = 60'





RSX4 LED Area Luminaire

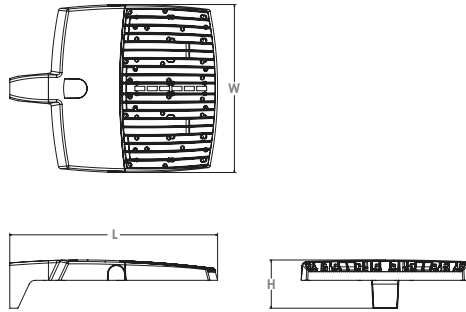


Catalog Number
Notes
Type

Hit the Tab key or mouse over the page to see all interactive elements.

Specifications

EPA (ft²@0°):	0.69 ft ² (0.07 m ²)
Length:	30.9" (78.5 cm) (SPA mount)
Width:	25.0" (63.5 cm)
Height:	3.0" (7.6 cm) Main Body 7.2" (18.4 cm) Arm
Weight (max):	65 lbs (29.5 kg)



Introduction

The new RSX LED Area family delivers maximum value by providing significant energy savings, long life and outstanding photometric performance at an affordable price. The RSX4 delivers 40,000 to 70,000 lumens allowing it to replace up to (2) 1000W HID luminaires.

The RSX features an integral universal mounting mechanism that allows the luminaire to be mounted on most existing drill hole patterns. This "no-drill" solution provides significant labor savings. An easy-access door on the bottom of mounting arm allows for wiring without opening the electrical compartment. A mast arm adaptor, adjustable integral slipfitter and other mounting configurations are available.

Ordering Information

EXAMPLE: RSX4 LED P6 40K R3 MVOLT SPA DDBXD

RSX4 LED					
Series	Performance Package	Color Temperature	Distribution	Voltage	Mounting
RSX4 LED	P1	30K 3000K	R2 Type 2 Wide	MVOLT (120V-277V) ²	SPA Square pole mounting (3.0" min. SQ pole for 1 at 90° and 2 at 180°)
	P2	40K 4000K	R3 Type 3 Wide	HVOLT (347V-480V) ³	RPA Round pole mounting (3.0" min. dia. RND pole for 1 at 90°, 2 at 180°, 3 at 120°)
	P3	50K 5000K	R3S Type 3 Short	(use specific voltage for options as noted)	ESPA Extended arm square pole mounting (3.5" min. SQ pole for 2, 3, 4 at 90°, 3.0" min. SQ pole for 1 at 90°) ⁵
	P4		R4 Type 4 Wide		ERPA Extended arm round pole mounting (3.2" min. dia. RND pole for 2, 3, 4 at 90°, 3.0" min. dia. RND pole for 1 at 90°, 2 at 180°, 3 at 120°) ⁵
	P5		R4S Type 4 Short		MA Mast arm adaptor (fits 2-3/8" OD horizontal tenon)
	P6		R5 Type 5 Wide ¹		IS Adjustable slipfitter (fits 2-3/8" OD tenon) ⁶
			R5S Type 5 Short ¹		WBA Wall bracket ¹
			AFR Automotive Front Row	WBASC Wall bracket with surface conduit box	
			AFRR90 Automotive Front Row Right Rotated	AASP Adjustable tilt arm square pole mounting ⁵	
			AFRL90 Automotive Front Row Left Rotated	AARP Adjustable tilt arm round pole mounting ⁶	
				AAWB Adjustable tilt arm with wall bracket ⁶	
				AAWSC Adjustable tilt arm wall bracket and surface conduit box ⁶	

Options	Finish
<p>Shipped Installed</p> <p>HS House-side shield⁷</p> <p>PE Photocontrol, button style^{8,9}</p> <p>PEX Photocontrol external threaded, adjustable^{9,10}</p> <p>PER7 Seven-wire twist-lock receptacle only (no controls)^{9,11,12,13}</p> <p>CE34 Conduit entry 3/4" NPT (Qty 2)</p> <p>SF Single fuse (120, 277, 347)⁴</p> <p>DF Double fuse (208, 240, 480)⁴</p> <p>SPD20KV 20KV Surge pack (10KV standard)</p> <p>FAO Field adjustable output^{9,13}</p> <p>DMG 0-10V dimming extend out back of housing for external control (control ordered separate)^{9,13}</p> <p>DS Dual switching^{9,13}</p>	<p>Shipped Installed</p> <p>*Standalone and Networked Sensors/Controls (factory default settings, see table page 9)</p> <p>NLTAIR2 nLight AIR generation 2^{13,14}</p> <p>PIRHN Networked, Bi-Level motion/ambient sensor (for use with NLTAIR2)^{9,13,15,16}</p> <p>*Note: PIRHN with nLight Air can be used as a standalone dimming sensor with out-of-box settings or as a wireless networked solution. See factory default settings table. Sensor coverage pattern is affected when luminaire is tilted.</p> <p>Shipped Separately (requires some field assembly)</p> <p>EGS External glare shield</p> <p>EGFV External glare full visor (360° around light aperture)</p> <p>BS Bird spikes¹⁷</p>
	<p>DDBXD Dark Bronze</p> <p>DBLXD Black</p> <p>DNAXD Natural Aluminum</p> <p>DWHXD White</p> <p>DDBTXD Textured Dark Bronze</p> <p>DBLBXD Textured Black</p> <p>DNATXD Textured Natural Aluminum</p> <p>DWHGXD Textured White</p>



Ordering Information

Accessories

Ordered and shipped separately.

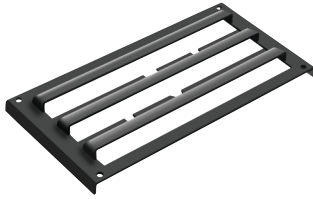
RSX4HS U	RSX4 House side shield (includes 4 shields)
RSX4HSAFRR U	RSX4 House side shields for AFR rotated optics (includes 4 shields)
RSX4EGS (FINISH) U	External glare shield (specify finish)
RSX4EGFV (FINISH) U	External glare full visor (specify finish)
RSXRPA (FINISH) U	RSX Universal round pole adaptor plate (specify finish)
RSXWBA (FINISH) U	RSX WBA wall bracket (specify finish) ¹
RSXSBCB (FINISH) U	RSX Surface conduit box (specify finish, for use with WBA, WBA not included)
DLL127F 1.5 JU	Photocell -SSL twist-lock (120-277V) ¹⁸
DLL347F 1.5 CUL JU	Photocell -SSL twist-lock (347V) ¹⁸
DLL480F 1.5 CUL JU	Photocell -SSL twist-lock (480V) ¹⁸
DSHORT SBK U	Shorting cap ¹⁸

NOTES

- 1 Any Type 5 distribution, is not available with WBA.
- 2 MVOLT driver operates on any line voltage from 120-277V (50/60 Hz).
- 3 HVOLT driver operates on any line voltage from 347-480V (50/60 Hz).
- 4 Single fuse (SF) requires 120V, 277V or 347V. Double fuse (DF) requires 208V, 240V or 480V.
- 5 Required for mounting RSX4 in configurations of 2, 3 and 4 at 90°
- 6 Maximum tilt is 90° above horizontal.
- 7 It can be ordered as an accessory.
- 8 Requires MVOLT or 347V.
- 9 Not available in combination with other light sensing control options (following options cannot be combined: PE, PEX, PER7, FAO, DMG, DS, PIRHN).
- 10 Requires 120V, 208V, 240V, 277V or 347V.

- 11 Twistlock photocell ordered and shipped as a separate line item from Acuity Brands Controls. See accessories. Shorting Cap included. Dimming leads capped for future use.
- 12 For units with option PER7, the mounting must be restricted to +/- 45° from horizontal aim per ANSI C136.10-2010.
- 13 Two or more of the following options cannot be combined including DMG, DS, PER7, FAO and PIRHN.
- 14 Must be ordered with PIRHN.
- 15 Must be ordered with NLTAIR2. For additional information on PIRHN visit [here](#).
- 16 Requires MVOLT or HVOLT.
- 17 Must be ordered with fixture for factory pre-drilling.
- 18 Requires luminaire to be specified with PER7 option. Ordered and shipped as a separate line item from Acuity Brands Controls.

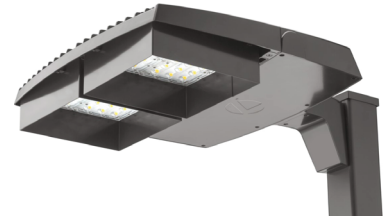
External Shields



House Side Shield (HS)



External Glare Shield (EGS)

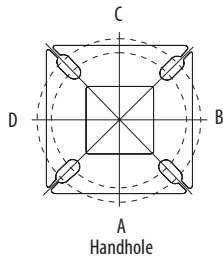


External 360 Full Visor (EGFV)

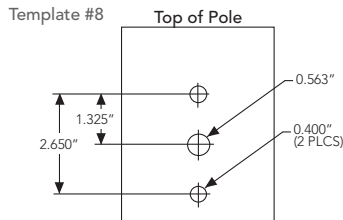
Pole/Mounting Information

Accessories including bullhorns, cross arms and other adapters are available on pages 5-8. For the complete line of accessories available, visit the accessories tab at Lithonia's Outdoor Poles and Arms product page. Click here to visit [Accessories](#).

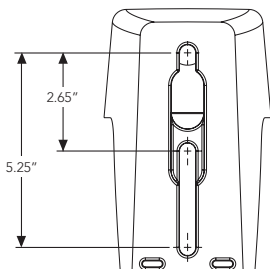
HANDHOLE ORIENTATION



RSX POLE DRILLING



RSX STANDARD ARM, EXTENDED ARM AND ADJUSTABLE ARM



Round Tenon Mount - Pole Top Slipfitters

Tenon O.D.	RSX Mounting	Single	2 @ 180	2 @ 90	3 @ 120	3 @ 90	4 @ 90
2 - 3/8"	RPA, ERPA, AARP	AS3-5 190	AS3-5 280	AS3-5 290	AS3-5 320	AS3-5 390	AS3-5 490
2 - 7/8"	RPA, ERPA, AARP	AST25-190	AST25-280	AST25-290	AST25-320	AST25-390	AST25-490
4"	RPA, ERPA, AARP	AST35-190	AST35-280	AST35-290	AST35-320	AST35-390	AST35-490

Drill Side Location by Configuration Type

Drilling Template	Mounting Option	Single	2 @ 180	2 @ 90	3 @ 120	3 @ 90	4 @ 90
	Head Location	Side B	Side B & D	Side B & C	Round Pole Only	Side B, C & D	Side A, B, C & D
#8	Drill Nomenclature	DM19AS	DM28AS	DM29AS	DM32AS	DM39AS	DM49AS

RSX4 - Luminaire EPA

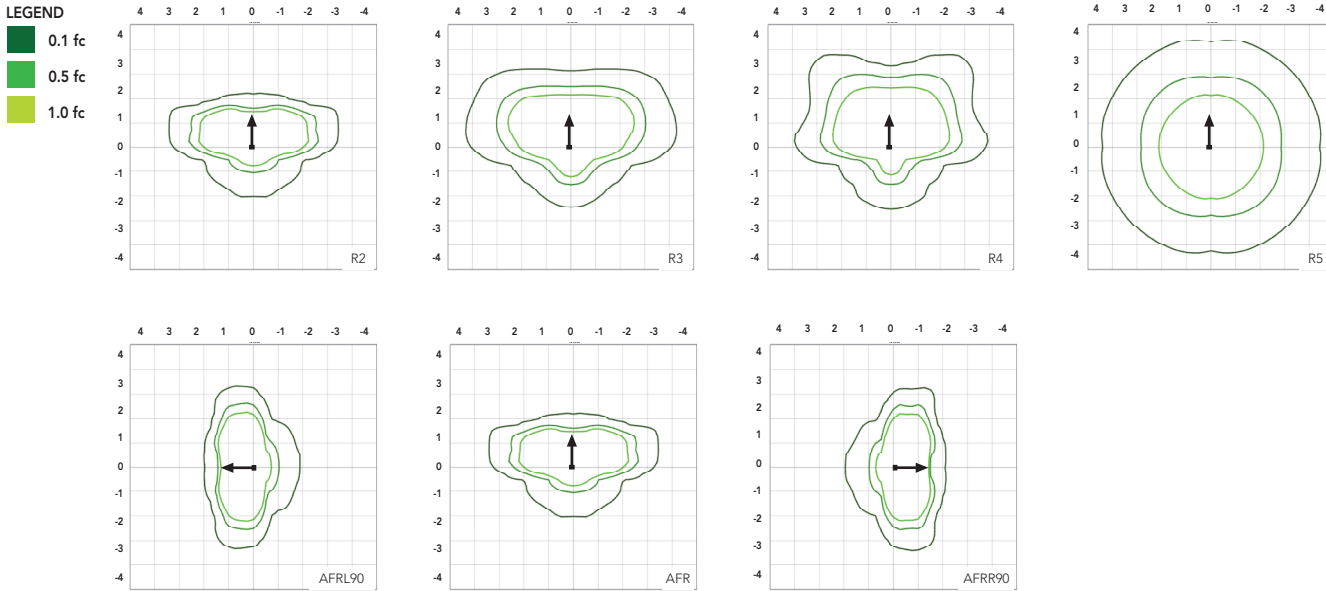
*Includes luminaire and integral mounting arm. Other tenons, arms, brackets or other accessories are not included in this EPA data.

Fixture Quantity & Mounting Configuration	Single	2 @ 90	2 @ 180	3 @ 90	3 @ 120	4 @ 90	2 Side by Side	3 Side by Side	4 Side by Side	
SPA - Square Pole Adaptor										
RPA - Round Pole Adaptor										
MA - Mast Arm Adaptor										
ESPA/ERPA - Extended Arm Square/Round Pole										
	0°	0.69	1.34	1.36	1.80	2.00	2.66	1.39	2.08	2.78
	10°	0.72	1.39	1.47	1.88	2.09	2.77	1.44	2.16	2.87
	20°	0.66	1.28	1.20	1.69	1.87	2.51	1.32	1.98	2.64
	30°	0.74	1.44	1.57	1.96	2.18	2.88	1.48	2.23	2.97
	40°	0.69	1.34	1.36	1.80	2.00	2.66	1.39	2.08	2.78
	45°	1.13	2.05	2.22	3.10	2.91	4.01	2.26	3.39	4.52
	50°	1.91	3.14	3.57	4.84	4.26	6.23	3.82	5.73	7.64
	60°	3.23	4.70	5.70	7.25	6.52	9.31	6.46	9.69	12.92
	70°	4.71	6.04	7.96	9.37	9.04	12.04	9.42	14.13	18.84
	80°	5.46	6.72	9.10	10.47	10.31	13.40	10.92	16.38	21.84
	90°	5.58	7.29	9.51	11.46	10.93	14.56	11.16	16.74	22.32
		5.81	8.50	10.35	13.44	12.41	16.89	11.62	17.43	23.24
		6.13	9.29	10.98	14.92	13.50	18.57	12.26	18.39	24.52
		6.28	9.88	11.47	15.86	14.22	19.72	12.56	18.84	25.12
		6.43	10.17	11.78	16.26	14.56	20.33	12.86	19.29	25.72

Photometric Diagrams

To see complete photometric reports or download .ies files for this product, visit Lithonia Lighting's [RSX Area homepage](#).

Isofootcandle plots for the RSX4 LED P6 40K. Distances are in units of mounting height (40').



Performance Data

Lumen Ambient Temperature (LAT) Multipliers

Use these factors to determine relative lumen output for average ambient temperatures from 0-50°C (32-122°F).

Ambient	Ambient	Lumen Multiplier
0°C	32°F	1.05
5°C	41°F	1.04
10°C	50°F	1.03
15°C	59°F	1.02
20°C	68°F	1.01
25°C	77°F	1.00
30°C	86°F	0.99
35°C	95°F	0.98
40°C	104°F	0.97
45°C	113°F	0.96
50°C	122°F	0.95

Electrical Load

Performance Package	System Watts (W)	Current (A)					
		120V	208V	240V	277V	347V	480V
P1	275W	2.34	1.38	1.22	1.08	0.83	0.62
P2	320W	2.60	1.56	1.37	1.22	0.97	0.71
P3	369W	3.08	1.79	1.57	1.39	1.09	0.80
P4	431W	3.61	2.11	1.88	1.76	1.24	0.90
P5	483W	3.97	2.28	1.99	1.74	1.36	0.98
P6	546W	4.48	2.55	2.21	1.93	1.54	1.12

Projected LED Lumen Maintenance

Operating Hours	50,000	75,000	100,000
Lumen Maintenance Factor	>0.97	>0.95	>0.92

Values calculated according to IESNA TM-21-11 methodology and valid up to 40°C.

Performance Data

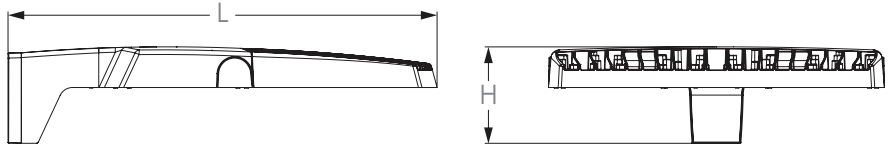
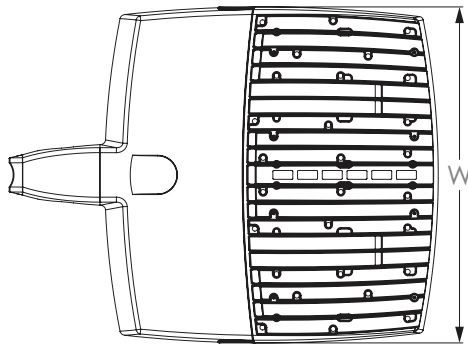
Lumen Output

Lumen values are from photometric tests performed in accordance with IESNA LM-79-08. Data is considered to be representative of the configurations shown, within the tolerances allowed by Lighting Facts. Contact factory for performance data on any configurations not shown here.

Performance Package	System Watts	Distribution Type	30K (3000K, 70 CRI)					40K (4000K, 70 CRI)					50K (5000K, 70 CRI)				
			Lumens	B	U	G	LPW	Lumens	B	U	G	LPW	Lumens	B	U	G	LPW
P1	275W	R2	36,231	3	0	3	132	39,806	3	0	3	145	39,806	3	0	3	145
		R3	36,151	3	0	5	131	39,719	3	0	5	144	39,719	3	0	5	144
		R3S	37,066	3	0	4	135	40,724	3	0	4	148	40,724	3	0	4	148
		R4	36,656	3	0	5	133	40,274	3	0	5	146	40,274	3	0	5	146
		R4S	35,409	3	0	4	129	38,903	3	0	4	141	38,903	3	0	4	141
		R5	36,955	5	0	4	134	40,602	5	0	5	148	40,602	5	0	5	148
		R5S	37,144	5	0	3	135	40,809	5	0	3	148	40,809	5	0	3	148
		AFR	36,231	3	0	3	132	39,806	3	0	3	145	39,806	3	0	3	145
		AFRR90	36,818	3	0	3	134	40,451	3	0	3	147	40,451	3	0	3	147
		AFRL90	37,146	3	0	3	135	40,812	3	0	3	148	40,812	3	0	3	148
P2	320W	R2	41,215	3	0	3	129	45,282	4	0	3	141	45,282	4	0	3	141
		R3	41,125	3	0	5	128	45,183	4	0	5	141	45,183	4	0	5	141
		R3S	42,165	3	0	4	132	46,327	4	0	4	145	46,327	4	0	4	145
		R4	41,699	3	0	5	130	45,814	4	0	5	143	45,814	4	0	5	143
		R4S	40,280	3	0	4	126	44,255	4	0	4	138	44,255	4	0	4	138
		R5	42,039	5	0	5	131	46,188	5	0	5	144	46,188	5	0	5	144
		R5S	42,253	5	0	3	132	46,423	5	0	4	145	46,423	5	0	4	145
		AFR	41,215	3	0	3	129	45,282	4	0	3	141	45,282	4	0	3	141
		AFRR90	41,883	3	0	3	131	46,016	4	0	3	144	46,016	4	0	3	144
		AFRL90	42,256	3	0	3	132	46,426	4	0	3	145	46,426	4	0	3	145
P3	369W	R2	45,968	4	0	3	124	50,504	4	0	3	137	50,504	4	0	3	137
		R3	45,867	4	0	5	124	50,393	4	0	5	136	50,393	4	0	5	136
		R3S	47,028	4	0	5	127	51,669	4	0	5	140	51,669	4	0	5	140
		R4	46,508	4	0	5	126	51,097	4	0	5	138	51,097	4	0	5	138
		R4S	44,925	4	0	4	122	49,358	4	0	4	134	49,358	4	0	4	134
		R5	46,887	5	0	5	127	51,514	5	0	5	139	51,514	5	0	5	139
		R5S	47,126	5	0	4	128	51,777	5	0	4	140	51,777	5	0	4	140
		AFR	45,968	4	0	3	124	50,504	4	0	3	137	50,504	4	0	3	137
		AFRR90	46,713	4	0	3	126	51,323	4	0	3	139	51,323	4	0	3	139
		AFRL90	47,129	4	0	3	128	51,780	4	0	3	140	51,780	4	0	3	140
P4	431W	R2	50,558	4	0	3	117	55,547	4	0	4	129	55,547	4	0	4	129
		R3	50,447	4	0	5	117	55,426	4	0	5	129	55,426	4	0	5	129
		R3S	51,724	4	0	5	120	56,829	4	0	5	132	56,829	4	0	5	132
		R4	51,152	4	0	5	119	56,200	4	0	5	131	56,200	4	0	5	131
		R4S	49,411	4	0	4	115	54,287	4	0	5	126	54,287	4	0	5	126
		R5	51,569	5	0	5	120	56,658	5	0	5	132	56,658	5	0	5	132
		R5S	51,832	5	0	4	120	56,947	5	0	4	132	56,947	5	0	4	132
		AFR	50,558	4	0	3	117	55,547	4	0	4	129	55,547	4	0	4	129
		AFRR90	51,378	4	0	3	119	56,448	4	0	4	131	56,448	4	0	4	131
		AFRL90	51,836	4	0	3	120	56,951	4	0	4	132	56,951	4	0	4	132
P5	483W	R2	56,313	4	0	4	116	61,870	4	0	4	128	61,870	4	0	4	128
		R3	56,190	4	0	5	116	61,735	4	0	5	128	61,735	4	0	5	128
		R3S	57,612	4	0	5	119	63,297	4	0	5	131	63,297	4	0	5	131
		R4	56,974	4	0	5	118	62,597	4	0	5	129	62,597	4	0	5	129
		R4S	55,035	4	0	5	114	60,467	4	0	5	125	60,467	4	0	5	125
		R5	57,439	5	0	5	119	63,107	5	0	5	131	63,107	5	0	5	131
		R5S	57,732	5	0	4	119	63,429	5	0	4	131	63,429	5	0	4	131
		AFR	56,313	4	0	4	116	61,870	4	0	4	128	61,870	4	0	4	128
		AFRR90	57,226	4	0	4	118	62,873	4	0	4	130	62,873	4	0	4	130
		AFRL90	57,736	4	0	4	119	63,433	4	0	4	131	63,433	4	0	4	131
P6	546W	R2	62,633	4	0	4	115	68,814	4	0	4	126	68,814	4	0	4	126
		R3	62,496	4	0	5	115	68,664	4	0	5	126	68,664	4	0	5	126
		R3S	64,078	4	0	5	117	70,402	4	0	5	129	70,402	4	0	5	129
		R4	63,369	4	0	5	116	69,623	4	0	5	128	69,623	4	0	5	128
		R4S	61,213	4	0	5	112	67,254	4	0	5	123	67,254	4	0	5	123
		R5	63,886	5	0	5	117	70,191	5	0	5	129	70,191	5	0	5	129
		R5S	64,212	5	0	4	118	70,549	5	0	4	129	70,549	5	0	4	129
		AFR	62,633	4	0	4	115	68,814	4	0	4	126	68,814	4	0	4	126
		AFRR90	63,649	4	0	4	117	69,930	4	0	4	128	69,930	4	0	4	128
		AFRL90	64,216	4	0	4	118	70,553	4	0	4	129	70,553	4	0	4	129

Dimensions

RSX4 with Round Pole Adapter (RPA)

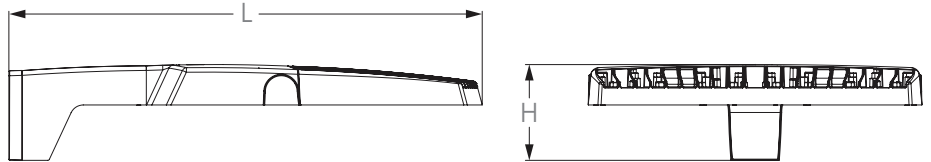
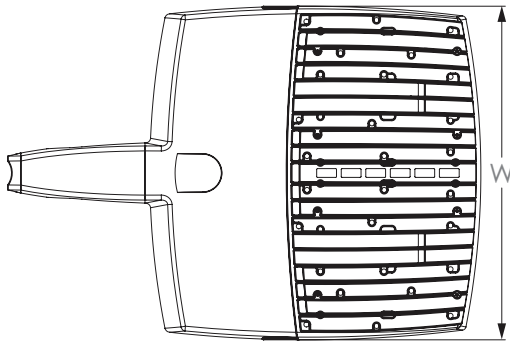


NOTE:
RPA - Round Pole mount can also be used to mount on square poles by omitting the round pole adapter plate shown here.



Length: 31.9" (81.0 cm)
Width: 25.0" (63.5 cm)
Height: 3.0" (7.6 cm) Main Body
7.2" (18.3 cm) Arm

RSX4 with Extended Arm Square or Round Pole (ESPA or ERPA)



NOTE:
RPA - Round Pole mount can also be used to mount on square poles by omitting the round pole adapter plate shown here.



Length: 35.5" (90.2 cm) ERPA
34.5" (87.6 cm) ESPA
Width: 25.0" (63.5 cm)
Height: 3.0" (7.6 cm) Main Body
7.2" (18.3 cm) Arm

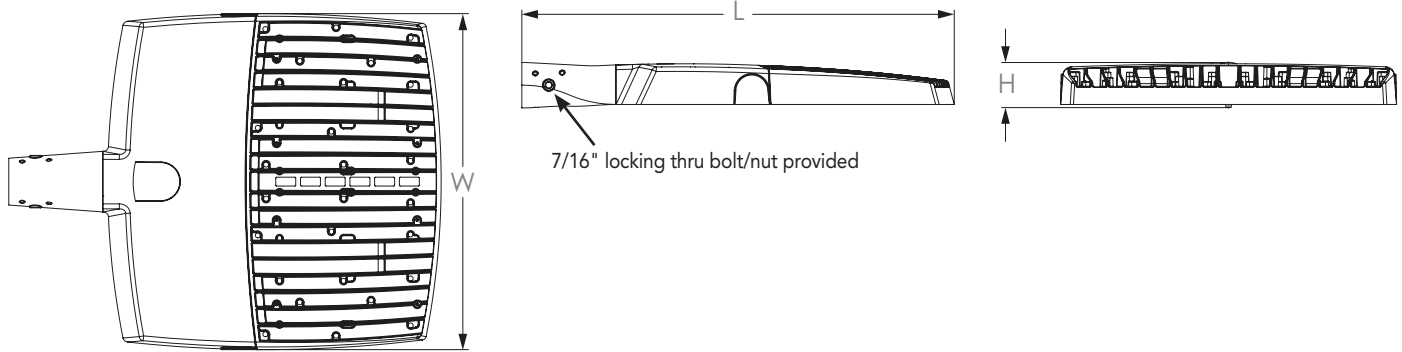
Notes

ESPA: Required for mounting RSX4 in 2,3,4 at 90°. Requires 3.5" min. square pole for mounting 2, 3, 4 at 90°. Requires 3.0" min. square pole for 1 at 90°.

ERPA: Required for mounting RSX4 in 2,3,4 at 90°. Requires 3.2" min. dia. round pole for 2, 3, 4 at 90°. Requires 3.0" min. dia. round pole for mounting 1 at 90°, 2 at 180°, 3 at 120°.

Dimensions

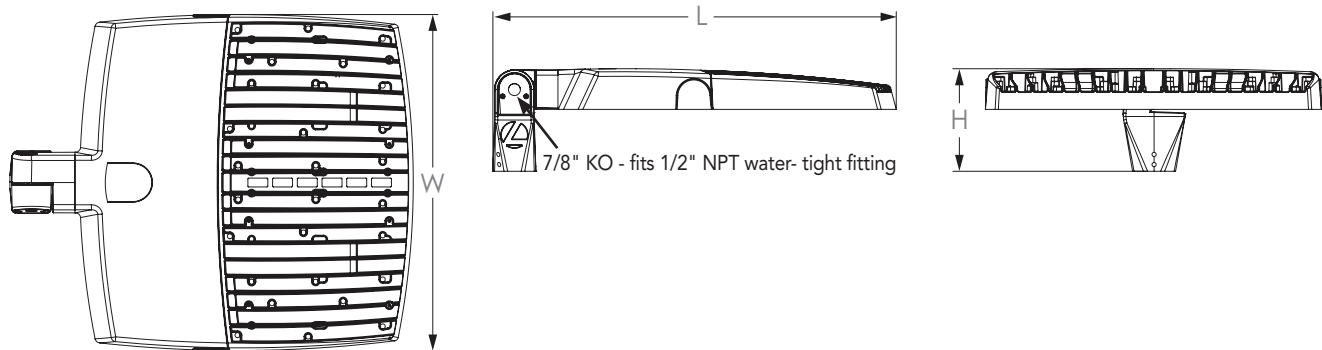
RSX4 with Mast Arm Adapter (MA)



Length: 32.2" (81.8 cm)
 Width: 25.0" (63.5 cm)
 Height: 3.0" (7.6 cm) Main Body
 3.4" (18.6 cm) Arm

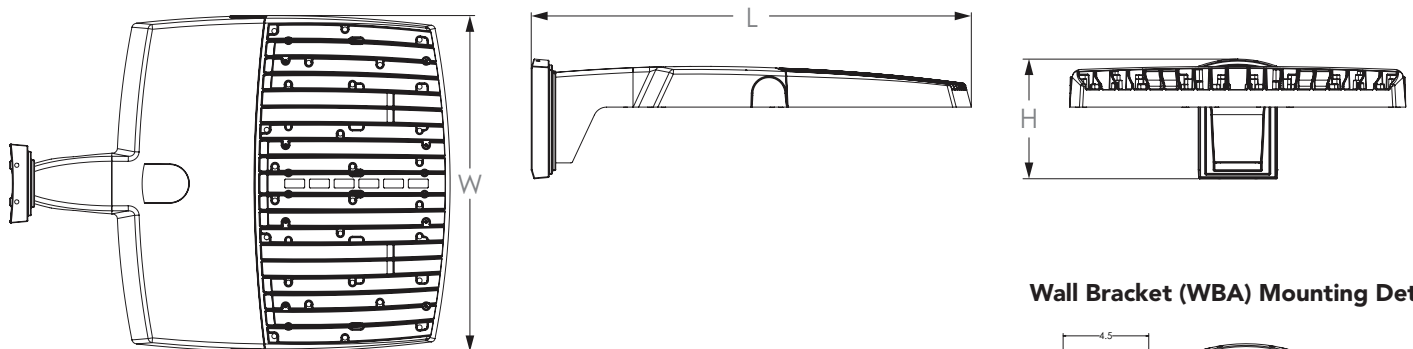
Notes: MA mount requires minimum horizontal tenon length of 6" when mounting RSX4 in configurations of 2, 3 and 4 at 90°.

RSX4 with Adjustable Slipfitter (IS)



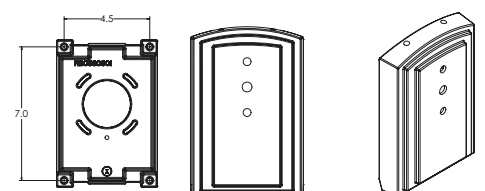
Length: 30.0" (76.2 cm)
 Width: 25.0" (63.5 cm)
 Height: 3.0" (7.6 cm) Main Body
 7.6" (19.3 cm) Arm

RSX4 with Wall Bracket (WBA)



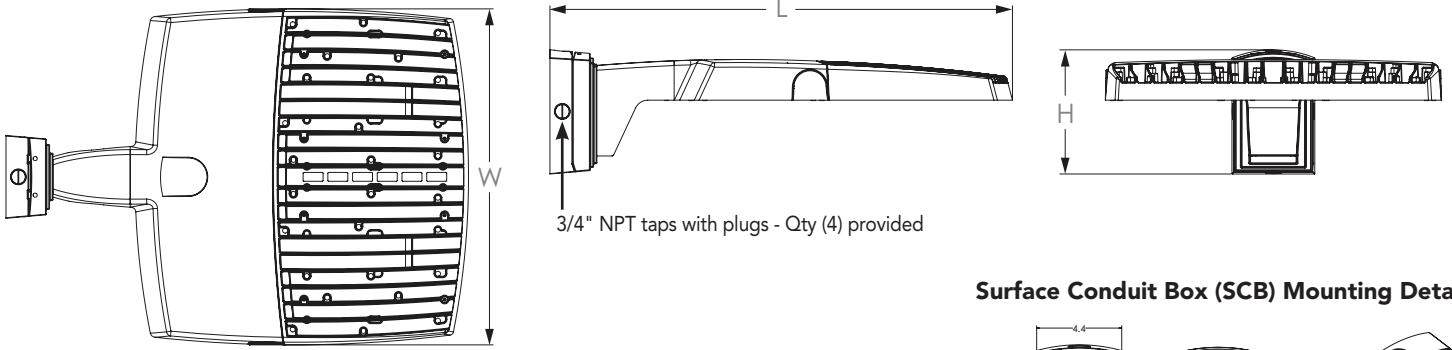
Length: 32.7" (83.1 cm)
 Width: 25.0" (63.5 cm)
 Height: 3.0" (7.6 cm) Main Body
 8.9" (22.6 cm) Arm

Wall Bracket (WBA) Mounting Detail



Dimensions

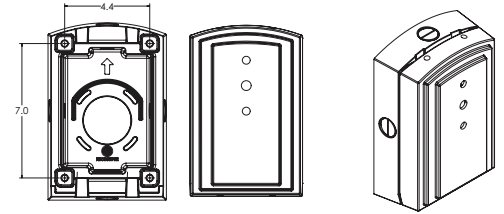
RSX4 with Wall Bracket with Surface Conduit Box (WBASC)



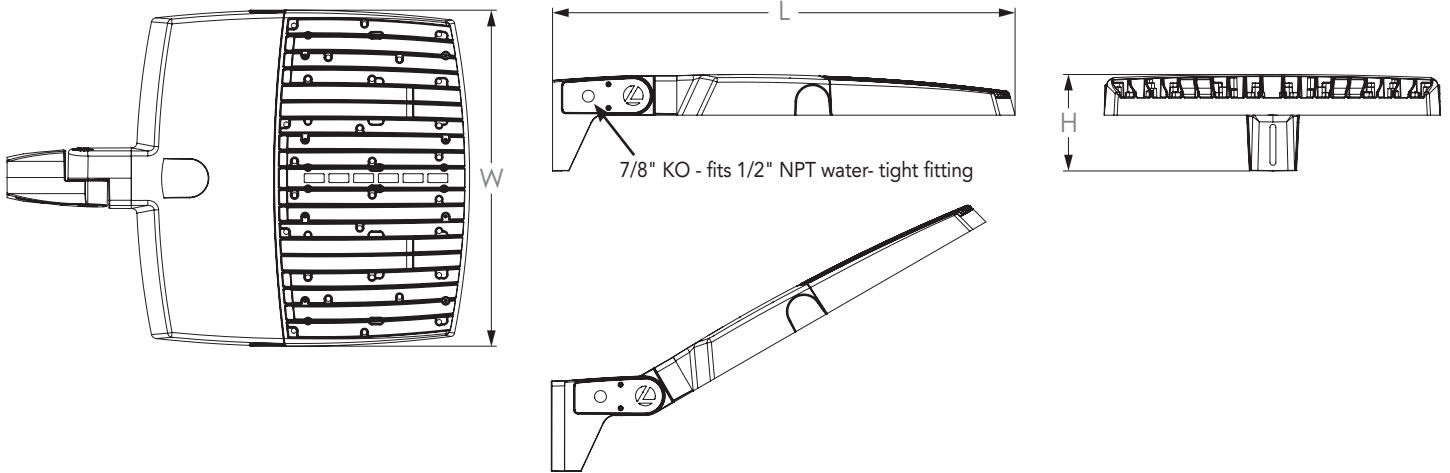
3/4" NPT taps with plugs - Qty (4) provided

Length: 34.4" (87.4 cm)
 Width: 25.0" (63.5 cm)
 Height: 3.0" (7.6 cm) Main Body
 9.2" (23.4 cm) Arm

Surface Conduit Box (SCB) Mounting Detail



RSX4 with Adjustable Tilt Arm - Square or Round Pole (AASP or AARP)



7/8" KO - fits 1/2" NPT water-tight fitting

NOTE:

RPA - Round Pole mount can also be used to mount on square poles by omitting the round pole adapter plate shown here.



Length: 34.4" (87.4 cm) **AASP**
 35.4" (89.9 cm) **AARP**
 Width: 25.0" (63.5 cm)
 Height: 3.0" (7.6 cm) Main Body
 7.2" (18.3 cm) Arm

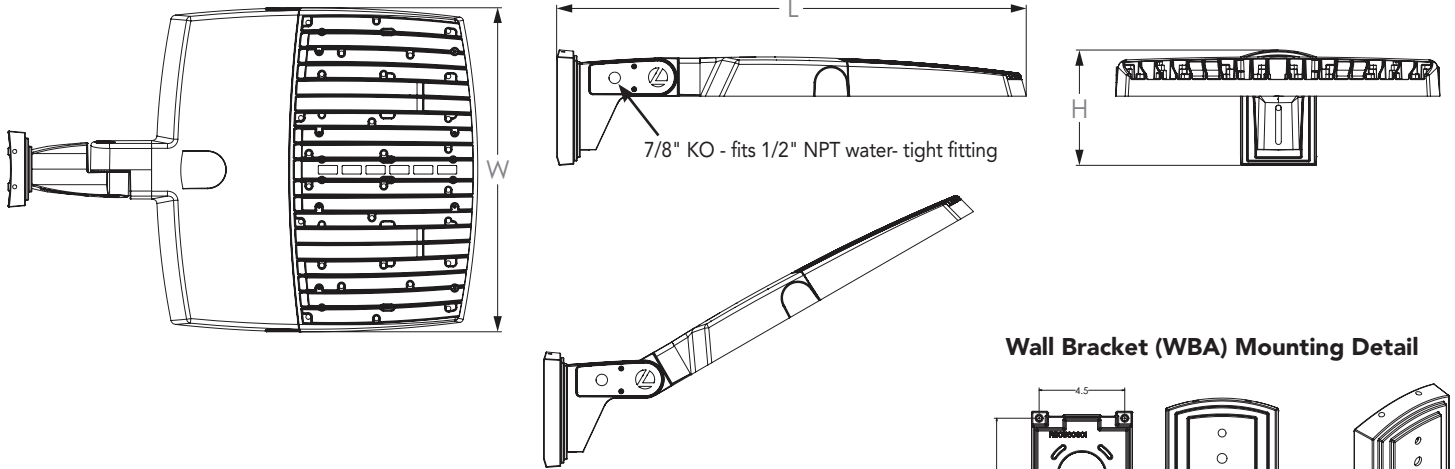
Notes

AASP: Requires 3.0" min. square pole for 1 at 90°. Requires 3.5" min. square pole for mounting 2, 3, 4 at 90°. (Note: Limited to 30° maximum tilt angle for qty. 2, 3 and 4 at 90° pole top configurations)

AARP: Requires 3.0" min. dia. round pole for mounting 1 at 90°, 2 at 180°, 3 at 120°. Requires 3.2" min. dia. round pole for 2, 3, 4 at 90°. (Note: Limited to 30° maximum tilt angle for qty. 2, 3 and 4 at 90° pole top configurations)

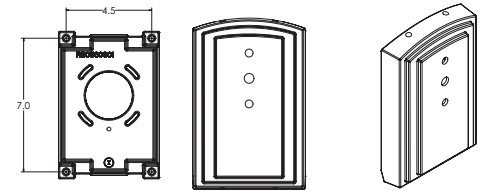
Dimensions

RSX4 with Adjustable Tilt Arm with Wall Bracket (AAWB)

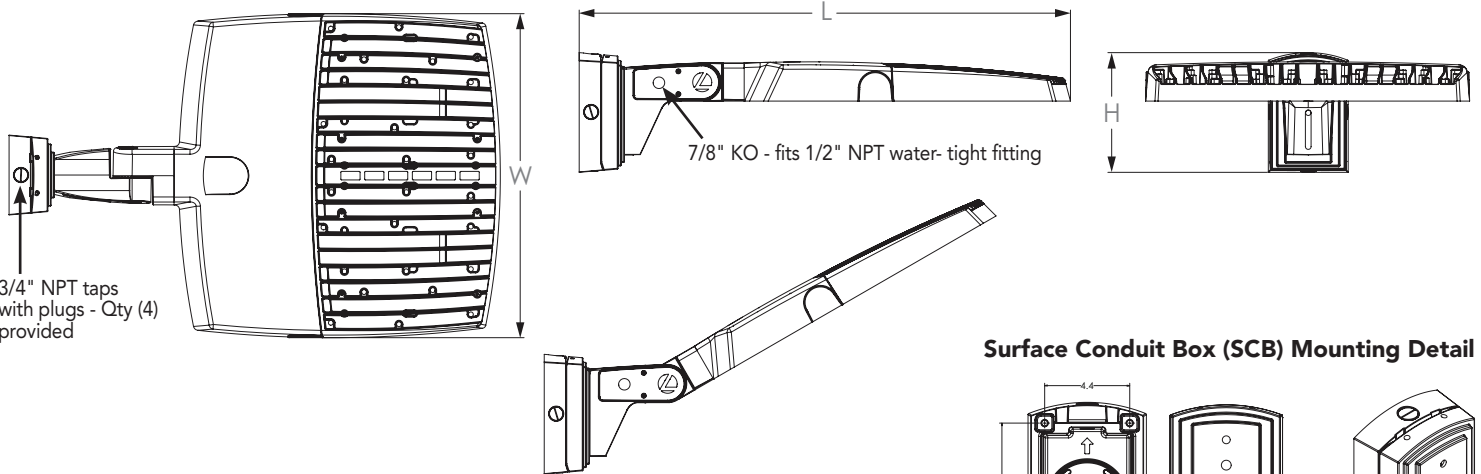


Length: 36.2" (91.9 cm)
 Width: 25.0" (63.5 cm)
 Height: 3.0" (7.6 cm) Main Body
 8.9" (22.6 cm) Arm

Wall Bracket (WBA) Mounting Detail

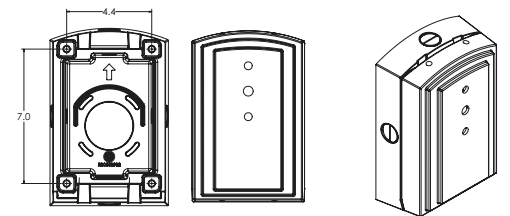


RSX4 with Adjustable Tilt Arm with Wall Bracket and Surface Conduit Box (AAWSC)



Length: 37.9" (96.3 cm)
 Width: 25.0" (63.5 cm)
 Height: 3.0" (7.6 cm) Main Body
 9.2" (23.4 cm) Arm

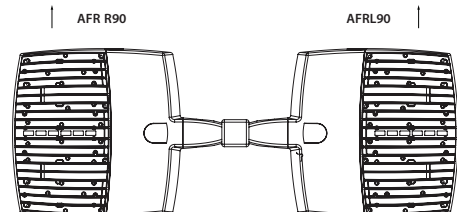
Surface Conduit Box (SCB) Mounting Detail



Additional Reference Drawings

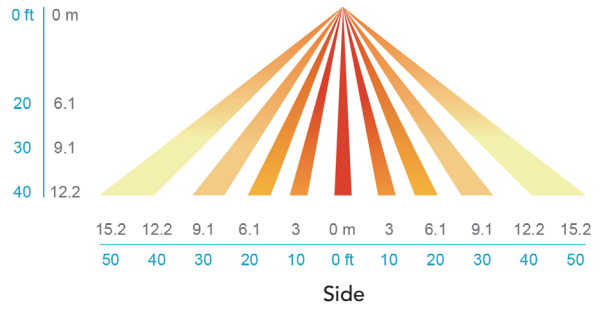
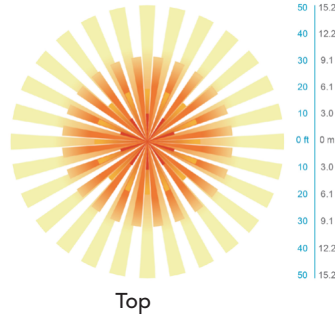
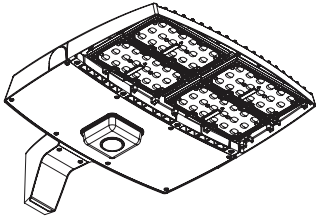


Automotive Front Row - Rotated Optics (AFR L90/R90)



PIRHN nLight Sensor Coverage Pattern

nLight PIRHN



Motion Sensor Default Settings - Option PIRHN						
Option	Dimmed State (unoccupied)	High Level (when occupied)	Photocell Operation	Dwell Time (occupancy time delay)	Ramp-up Time (from unoccupied to occupied)	Ramp-down Time (from occupied to unoccupied)
PIRHN	Approx. 30% Output	100% Output	Enabled @ 1.5FC	7.5 minutes	3 seconds	5 minutes

*Note: PIRHN default settings including photocell set-point, high/low dim rates, and occupancy sensor time delay are all configurable using the Clarity Pro App.

FEATURES & SPECIFICATIONS

INTENDED USE

The RSX LED area family is designed to provide a long-lasting, energy-efficient solution for the one-for-one replacement of existing metal halide or high pressure sodium lighting. The RSX4 delivers 40,000 to 70,000 lumens and is ideal for replacing 1000W and (2) 1000W HID pole-mounted luminaires in parking lots and other area lighting applications.

CONSTRUCTION

The RSX LED area luminaire features a rugged die-cast aluminum main body that uses heat-dissipating fins and flow-through venting to provide optimal thermal management that both enhances LED performance and extends component life. Integral "no drill" mounting arm allows the luminaire to be mounted on existing pole drillings, greatly reducing installation labor. The light engines and housing are sealed against moisture and environmental contaminants to IP66. The low-profile design results in a low EPA, allowing pole optimization. Vibration rated per ANSI C136.31: 3G Mountings: SPA, RPA, MA, IS, AASP, AARP, ESPA and ERPA rated for 3G vibration. 1.5G Mountings: WBA, WBASC, AAWB and AAWSC rated for 1.5G vibration.

FINISH

Exterior parts are protected by a zinc-infused Super Durable TGIC thermoset powder coat finish that provides superior resistance to corrosion and weathering. A tightly controlled multi-stage process ensures superior adhesion as well as a minimum finish thickness of 3 mils. The result is a high-quality finish that is warrantied not to crack or peel.

OPTICS

Precision acrylic refractive lenses are engineered for superior application efficiency, distributing the light to where it is needed most. Available in short and wide pattern distributions including Type 2, Type 3, Type 3S, Type 4, Type 4S, Type 5, Type 5S, AFR (Automotive Front Row) and AFR rotated AFR90 and ARFL90.

ELECTRICAL

Light engine(s) configurations consist of high-efficacy LEDs mounted on metal-core circuit boards and aluminum heat sinks to maximize heat dissipation. Light engines are IP66 rated. LED lumen maintenance is >L92/100,000 hours. CCT's of 3000K, 4000K and 5000K (minimum 70 CRI) are available. Class 1 electronic drivers ensure system power factor >90% and THD <20%. Easily serviceable 10kV surge protection device meets a minimum Category C Low operation (per ANSI/IEEE C62.41.2).

STANDARD CONTROLS

The RSX LED area luminaire has a wide assortment of control options. Dusk to dawn controls include MVOLT and 347V button-type photocells and NEMA twist-lock photocell receptacles.

nLIGHT AIR CONTROLS

The RSX LED area luminaire is also available with nLight® AIR which can be used for simple motion occupancy dimming or for the ultimate in wireless control. This powerful controls platform provides out-of-the-box basic motion sensing with photocontrol functionality and is suitable for mounting heights up to 40 feet. No commissioning is required when using factory default settings that provide basic stand-alone motion occupancy dimming that is switched on and off with a built-in photocell. See chart above for motion sensor default out-of-box settings. For more advanced wireless functionality, such as group dimming, nLight AIR can be commissioned using a smartphone and the easy-to-use CLAIRITY app. nLight AIR equipped luminaires can be grouped, resulting in motion sensor and photocell group response without the need for additional equipment. Scheduled dimming with motion sensor over-ride can be achieved when used with the nLight Eclipse. Additional information about nLight Air can be found [here](#).

INSTALLATION

Integral "no-drill" mounting arm allows for fast, easy mounting using existing pole drillings. Select the "SPA" option for square poles and the "RPA" option to mount to round poles. Note that the RPA mount can also be used for mounting to square poles by omitting the RPA adapter plate. Select the "MA" option to attach the luminaire to a 2 3/8" horizontal mast arm or the "IS" option for an adjustable slipfitter that mounts on a 2 3/8" OD tenon. The adjustable slipfitter has an integral junction box offering easy installation. Can be tilted up to 90° above horizontal. Additional mountings are available including a wall bracket, adjustable tilt arm for direct-to-pole and wall and a surface conduit box for wall mount applications.

LISTINGS

CSA Certified to meet U.S. and Canadian standards. Suitable for wet locations. Rated for -40°C minimum ambient. DesignLights Consortium® (DLC) Premium qualified product and DLC qualified product. Not all versions of this product may be DLC Premium qualified or DLC qualified. Please check the DLC Qualified Products List at www.designlights.org/QPL to confirm which versions are qualified.

WARRANTY

5-year limited warranty. Complete warranty terms located at: www.acuitybrands.com/support/customer-support/terms-and-conditions

Note: Actual performance may differ as a result of end-user environment and application. All values are design or typical values, measured under laboratory conditions at 25 °C. Specifications subject to change without notice.



WEDGE3 LED

Architectural Wall Sconce



Catalog Number

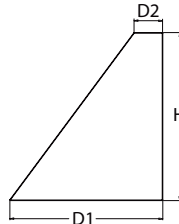
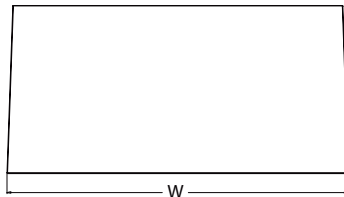
Notes

Type

Hit the Tab key or mouse over the page to see all interactive elements.

Specifications

Depth (D1): 8"
Depth (D2): 1.5"
Height: 9"
Width: 18"
Weight: 19.5 lbs
 (without options)



Introduction

The WEDGE LED family is designed to meet specifier's every wall-mounted lighting need in a widely accepted shape that blends with any architecture. The clean rectilinear design comes in four sizes with lumen packages ranging from 1,200 to 25,000 lumens, providing a true site-wide solution. Embedded with nLight® AIR wireless controls, the WEDGE family provides additional energy savings and code compliance.

WEDGE3 has been designed to deliver up to 12,000 lumens through a precision refractive lens with wide distribution, perfect for augmenting the lighting from pole mounted luminaires.

WEDGE LED Family Overview

Luminaire	Standard EM, 0°C	Cold EM, -20°C	Sensor	Lumens (4000K)					
				P1	P2	P3	P4	P5	P6
WEDGE1 LED	4W	--	--	1,200	2,000	--	--	--	--
WEDGE2 LED	10W	18W	Standalone / nLight	1,200	2,000	3,000	4,500	6,000	--
WEDGE3 LED	15W	18W	Standalone / nLight	7,500	8,500	10,000	12,000	--	--
WEDGE4 LED	--	--	Standalone / nLight	12,000	16,000	18,000	20,000	22,000	25,000

Ordering Information

EXAMPLE: WEDGE3 LED P3 40K 70CRI R3 MVOLT SRM DDBXD

Series	Package	Color Temperature	CRI	Distribution	Voltage	Mounting	
WEDGE3 LED	P1	30K 3000K	70CRI	R2 Type 2	MVOLT	Shipped included SRM Surface mounting bracket ICW Indirect Canopy/Ceiling Washer bracket (dry/damp locations only)*	
	P2	40K 4000K	80CRI	R3 Type 3	347 ¹		Shipped separately AWS 3/8inch Architectural wall spacer PBBW Surface-mounted back box (top, left, right conduit entry)
	P3	50K 5000K		R4 Type 4	480 ¹		
	P4			RFT Forward Throw			

Options	Finish
E15WH Emergency battery backup, CEC compliant (15W, 5°C min) E20WC Emergency battery backup, CEC compliant (18W, -20°C min) PE² Photocell, Button Type DMG³ 0-10V dimming wires pulled outside fixture (for use with an external control, ordered separately) BCE Bottom conduit entry for back box (PBBW). Total of 4 entry points. SPD10KV 10kV Surge pack	DDBXD Dark bronze DBLXD Black DNAXD Natural aluminum DWHXD White DSSXD Sandstone DDBTXD Textured dark bronze DBLTXD Textured black DNATXD Textured natural aluminum DWHGXD Textured white DSSTXD Textured sandstone
Standalone Sensors/Controls PIR Bi-level (100/35%) motion sensor for 8-15' mounting heights. Intended for use on switched circuits with external dusk to dawn switching. PIRH Bi-level (100/35%) motion sensor for 15-30' mounting heights. Intended for use on switched circuits with external dusk to dawn switching PIR1FC3V Bi-level (100/35%) motion sensor for 8-15' mounting heights with photocell pre-programmed for dusk to dawn operation. PIRH1FC3V Bi-level (100/35%) motion sensor for 15-30' mounting heights with photocell pre-programmed for dusk to dawn operation. Networked Sensors/Controls NLTAIR2 PIR nLightAIR Wireless enabled bi-level motion/ambient sensor for 8-15' mounting heights. NLTAIR2 PIRH nLightAIR Wireless enabled bi-level motion/ambient sensor for 15-30' mounting heights. See page 4 for out of box functionality	

Accessories

Ordered and shipped separately.

WDGEAWS DDBXD U WEDGE 3/8inch Architectural Wall Spacer (specify finish)
 WDGE3PBBW DDBXD U WEDGE3 surface-mounted back box (specify finish)

NOTES

- 347V and 480V not available with E15WH and E20WC.
- PE not available in 480V and with sensors/controls.
- DMG option not available with sensors/controls.
- Not qualified for DLC. Not available with emergency battery backup or sensors/controls



COMMERCIAL OUTDOOR

One Lithonia Way • Conyers, Georgia 30012 • Phone: 1-800-705-SERV (7378) • www.lithonia.com

© 2019-2020 Acuity Brands Lighting, Inc. All rights reserved.

WEDGE3 LED

Rev. 10/20/20

EXHIBIT H

Performance Data

Lumen Output

Lumen values are from photometric tests performed in accordance with IESNA LM-79-08. Data is considered to be representative of the configurations shown, within the tolerances allowed by Lighting Facts. Contact factory for performance data on any configurations not shown here.

Performance Package	System Watts	Dist. Type	30K (3000K, 70 CRI)					40K (4000K, 70 CRI)					50K (5000K, 70 CRI)				
			Lumens	LPW	B	U	G	Lumens	LPW	B	U	G	Lumens	LPW	B	U	G
P1	52W	R2	7,037	136	1	0	1	7,649	148	2	0	1	7,649	148	2	0	1
		R3	6,922	134	1	0	2	7,524	145	1	0	2	7,524	145	1	0	2
		R4	7,133	138	1	0	2	7,753	150	1	0	2	7,753	150	1	0	2
		RFT	6,985	135	1	0	2	7,592	147	1	0	2	7,592	147	1	0	2
P2	59W	R2	7,968	135	2	0	1	8,661	147	2	0	1	8,661	147	2	0	1
		R3	7,838	133	1	0	2	8,519	144	1	0	2	8,519	144	1	0	2
		R4	8,077	137	1	0	2	8,779	149	1	0	2	8,779	149	1	0	2
		RFT	7,909	134	1	0	2	8,597	146	2	0	2	8,597	146	2	0	2
P3	71W	R2	9,404	132	2	0	1	10,221	143	2	0	1	10,221	143	2	0	1
		R3	9,250	130	2	0	2	10,054	141	2	0	2	10,054	141	2	0	2
		R4	9,532	134	2	0	2	10,361	145	2	0	2	10,361	145	2	0	2
		RFT	9,334	131	2	0	2	10,146	142	2	0	2	10,146	142	2	0	2
P4	88W	R2	11,380	129	2	0	1	12,369	140	2	0	1	12,369	140	2	0	1
		R3	11,194	127	2	0	2	12,167	138	2	0	2	12,167	138	2	0	2
		R4	11,535	131	2	0	2	12,538	142	2	0	2	12,538	142	2	0	2
		RFT	11,295	128	2	0	2	12,277	139	2	0	2	12,277	139	2	0	2

Electrical Load

Performance Package	System Watts	Current (A)					
		120V	208V	240V	277V	347V	480V
P1	52W	0.437	0.246	0.213	0.186	0.150	0.110
P2	59W	0.498	0.287	0.251	0.220	0.175	0.126
P3	71W	0.598	0.344	0.300	0.262	0.210	0.152
P4	88W	0.727	0.424	0.373	0.333	0.260	0.190

Lumen Output in Emergency Mode (4000K, 70 CRI)

Option	Dist. Type	Lumens
E15WH	R2	3,185
	R3	3,133
	R4	3,229
	RFT	3,162
E20WC	R2	3,669
	R3	3,609
	R4	3,719
	RFT	3,642

Lumen Multiplier for 80CRI

CCT	Multiplier
30K	0.891
40K	0.906
50K	0.906

Lumen Ambient Temperature (LAT) Multipliers

Use these factors to determine relative lumen output for average ambient temperatures from 0-40°C (32-104°F).

Ambient		Lumen Multiplier
0°C	32°F	1.05
10°C	50°F	1.03
20°C	68°F	1.01
25°C	77°F	1.00
30°C	86°F	0.99
40°C	104°F	0.97

Projected LED Lumen Maintenance

Data references the extrapolated performance projections for the platforms noted in a 25°C ambient, based on 10,000 hours of LED testing (tested per IESNA LM-80-08 and projected per IESNA TM-21-11).

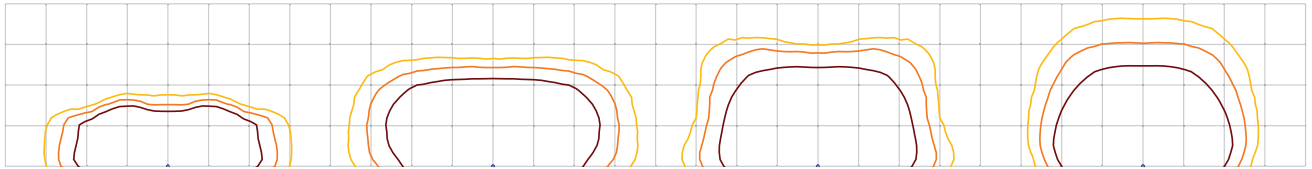
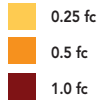
To calculate LLF, use the lumen maintenance factor that corresponds to the desired number of operating hours below. For other lumen maintenance values, contact factory.

Operating Hours	0	25,000	50,000	100,000
Lumen Maintenance Factor	1.0	>0.98	>0.97	>0.92

Photometric Diagrams

To see complete photometric reports or download .ies files for this product, visit the Lithonia Lighting WDGE LED homepage. Tested in accordance with IESNA LM-79 and LM-80 standards.

LEGEND



MH = 15ft
Grid = 15ft x 15ft

WDGE3 LED P3 40K 70CRI R2

WDGE3 LED P3 40K 70CRI R3

WDGE3 LED P3 40K 70CRI R4

WDGE3 LED P3 40K 70CRI RFT

Emergency Egress Options

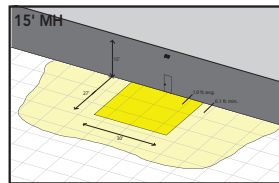
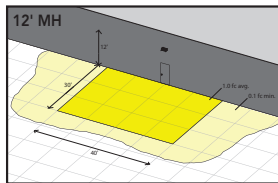
Emergency Battery Backup

The emergency battery backup is integral to the luminaire — no external housing required! This design provides reliable emergency operation while maintaining the aesthetics of the product. All emergency battery backup configurations include an independent secondary driver with an integral relay to immediately detect loss of normal power and automatically energize the luminaire. The emergency battery will power the luminaire for a minimum duration of 90 minutes (maximum duration of three hours) from the time normal power is lost and maintain, minimum of 60% of the light output at the end of 90minutes.

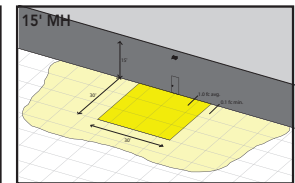
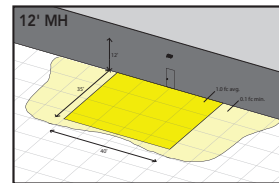
Applicable codes: NFPA 70/NEC – section 700.16, NFPA 101 Life Safety Code Section 7.9

The examples below show illuminance of 1 fc average and 0.1 fc minimum in emergency mode with E15WH or E20WC and R4 distribution.

Grid = 10ft x 10ft



WDGE3 LED xx 40K 70CRI R4 MVOLT E15WH



WDGE3 LED xx 40K 70CRI R4 MVOLT E20WC

Control / Sensor Options

Motion/Ambient Sensor (PIR, PIRH)

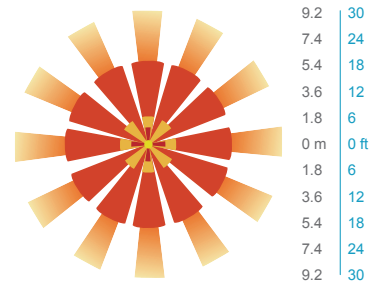
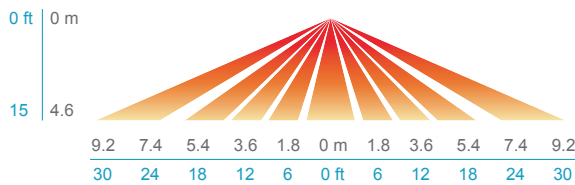
Motion/Ambient sensor (Sensor Switch MSOD) is integrated into the the luminaire. The sensor provides both Motion and Daylight based dimming of the luminaire. For motion detection, the sensor utilizes 100% Digital Passive Infrared (PIR) technology that is tuned for walking size motion while preventing false tripping from the environment. The integrated photocell enables additional energy savings during daytime periods when there is sufficient daylight. Optimize sensor coverage by either selecting PIR or PIRH option. PIR option comes with a sensor lens that is optimized to provide maximum coverage for mounting heights between 8-15ft, while PIRH is optimized for 15-40ft mounting height.

Networked Control (NLTAIR2)

nLight® AIR is a wireless lighting controls platform that allows for seamless integration of both indoor and outdoor luminaires. Five-tier security architecture, 900 MHz wireless communication and app (CLAIRITY™ Pro) based configurability combined together make nLight® AIR a secure, reliable and easy to use platform.

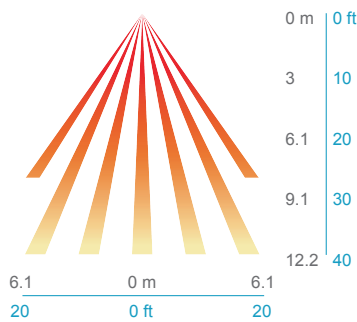
PIR

HIGH VIEW

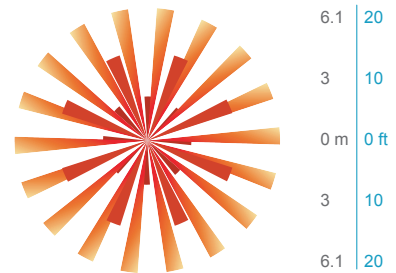


PIRH

SIDE VIEW



TOP VIEW



Motion/Ambient Sensor Default Settings

Option	Dim Level	High Level (when triggered)	Photocell Operation	Motion Time Delay	Ramp-down Time	Ramp-up Time
PIR or PIRH	Motion - 3V (37% of full output) Photocell - 0V (turned off)	10V (100% output)	Enabled @ 5fc	5 min	5 min	Motion - 3 sec Photocell - 45 sec
PIR1FC3V, PIRH1FC3V	Motion - 3V (37% of full output) Photocell - 0V (turned off)	10V (100% output)	Enabled @ 1fc	5 min	5 min	Motion - 3 sec Photocell - 45 sec
NLTAIR2 PIR, NLTAIR2 PIRH (out of box)	Motion - 3V (37% of full output) Photocell - 0V (turned off)	10V (100% output)	Enabled @ 5fc	7.5 min	5 min	Motion - 3 sec Photocell - 45 sec



**NLTAIR2 PIR – nLight AIR
Motion/Ambient Sensor**

D = 8"
H = 11"
W = 18"



PBBW – Surface-Mounted Back Box

D = 1.75"
H = 9"
W = 18"



AWS – 3/8inch Architectural Wall Spacer

D = 0.38"
H = 4.4"
W = 7.5"

FEATURES & SPECIFICATIONS

INTENDED USE

Common architectural look, with clean rectilinear shape, of the WDGE LED was designed to blend with any type of construction, whether it be tilt-up, frame or brick. Applications include commercial offices, warehouses, hospitals, schools, malls, restaurants, and other commercial buildings.

CONSTRUCTION

The single-piece die-cast aluminum housing to optimize thermal transfer from the light engine and promote long life. The driver is mounted in direct contact with the casting for a low operating temperature and long life. The die-cast door frame is fully gasketed with a one-piece solid silicone gasket to keep out moisture and dust, providing an IP65 rating for the luminaire.

FINISH

Exterior painted parts are protected by a zinc-infused Super Durable TGIC thermoset powder coat finish that provides superior resistance to corrosion and weathering. A tightly controlled multi-stage process ensures a 3 mils thickness for a finish that can withstand extreme climate changes without cracking or peeling. Standard Super Durable colors include dark bronze, black, natural aluminum, sandstone and white. Available in textured and non-textured finishes.

OPTICS

Individually formed acrylic lenses are engineered for superior application efficiency which maximizes the light in the areas where it is most needed. Light engines are available in 3000 K, 4000 K or 5000 K configurations. The WDGE LED has zero uplight and qualifies as a Nighttime Friendly™ product, meaning it is consistent with the LEED® and Green Globes™ criteria for eliminating wasteful uplight.

ELECTRICAL

Light engine consists of high-efficacy LEDs mounted to metal-core circuit boards to maximize heat dissipation and promote long life (up to L92/100,000 hours at 25°C). The electronic driver has a power factor of >90%, THD <20%. Luminaire comes with built in 6kV surge protection, which meets a minimum Category C low exposure (per ANSI/IEEE C62.41.2).

INSTALLATION

A universal mounting plate with integral mounting support arms allows the fixture to hinge down for easy access while making wiring connections. The 3/8" Architectural Wall Spacer (AWS) can be used to create a floating appearance or to accommodate small imperfections in the wall surface. The ICW option can be used to mount the luminaire inverted for indirect lighting in dry and damp locations. Design can withstand up to a 1.5 G vibration load rating per ANSI C136.31.

LISTINGS

CSA certified to U.S. and Canadian standards. Light engines are IP66 rated; luminaire is IP65 rated. PIR options are rated for wet location. Rated for -40°C minimum ambient. DesignLights Consortium® (DLC) Premium qualified product and DLC qualified product. Not all versions of this product may be DLC Premium qualified or DLC qualified. Please check the DLC Qualified Products List at www.designlights.org/QPL to confirm which versions are qualified. International Dark-Sky Association (IDA) Fixture Seal of Approval (FSA) is available for all products on this page utilizing 3000K color temperature and SRM mounting only.

WARRANTY

5-year limited warranty. Complete warranty terms located at:
www.acuitybrands.com/support/warranty/terms-and-conditions

Note: Actual performance may differ as a result of end-user environment and application. All values are design or typical values, measured under laboratory conditions at 25 °C. Specifications subject to change without notice.